



US00D421346S

United States Patent [19]
Cuérel

[11] **Patent Number: Des. 421,346**
[45] **Date of Patent: ** Mar. 7, 2000**

[54] **BED**
[75] Inventor: **Philippe Cuérel**, Abtwil, Switzerland
[73] Assignee: **DOC AG**, Switzerland
[**] Term: **14 Years**

4,277,858 7/1981 Bohme 5/618

Primary Examiner—Janice E. Seeger
Attorney, Agent, or Firm—Bachman & LaPointe, P.C.

[21] Appl. No.: **29/097,197**
[22] Filed: **Dec. 1, 1998**

[57] **CLAIM**
The ornamental design for a bed, as shown and described.

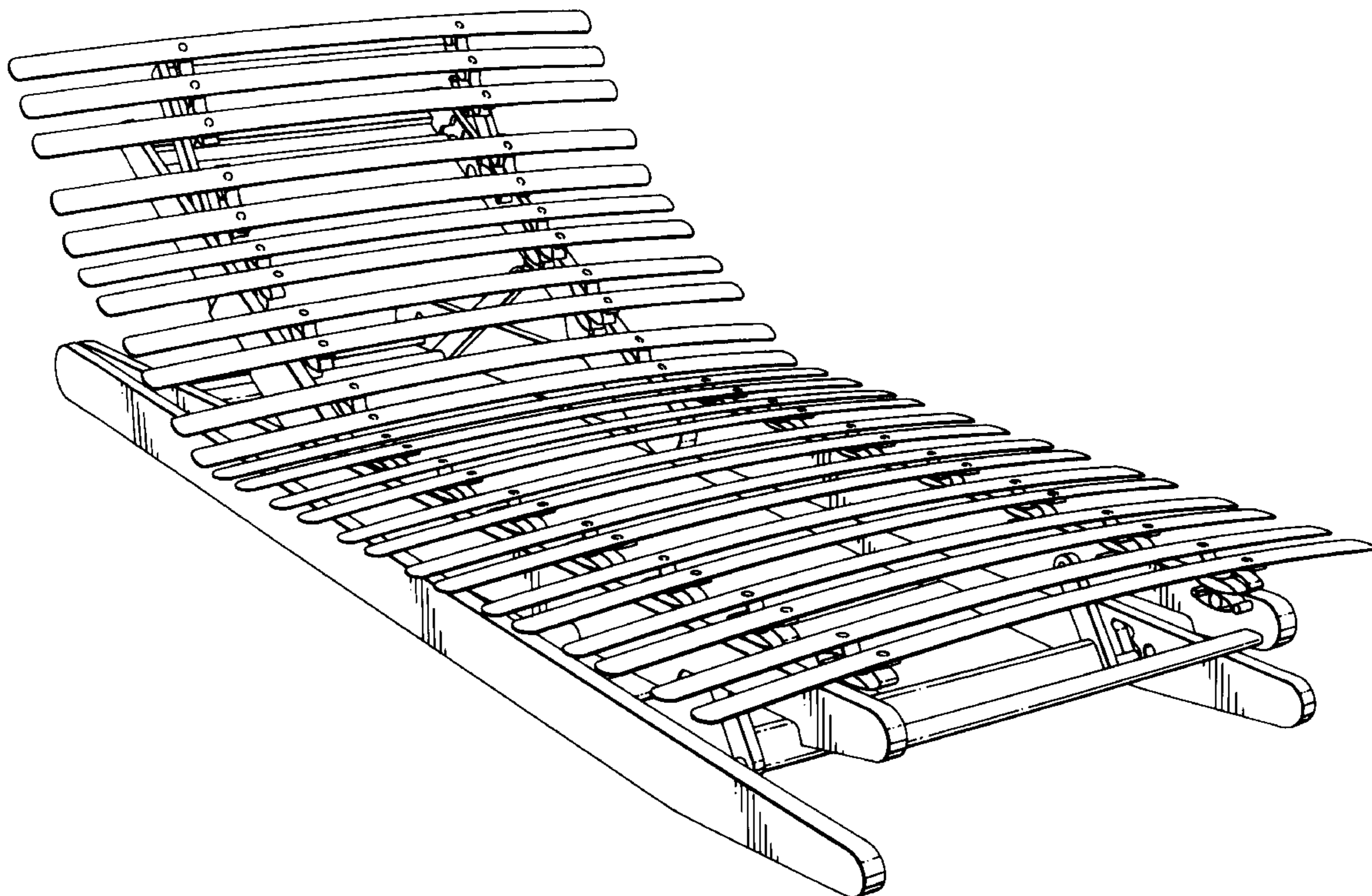
[30] **Foreign Application Priority Data**
Jun. 4, 1998 [XH] Hague Agreement DM 044222
[51] **LOC (6) Cl.** **06-01**
[52] **U.S. Cl.** **D6/392; D6/382**
[58] **Field of Search** D6/382-384, 388-395;
5/279.1, 280, 281, 907, 236.1, 2.1, 238,
191

DESCRIPTION

FIG. 1 is a perspective view from above, one side and the foot of the basic bed showing the upper end thereof in a raised position;
FIG. 2 is a plan view of the bed shown in FIG. 1 but showing the upper end in a lowered position;
FIG. 3 is an underneath plan view of the bed shown in FIG. 2;
FIG. 4 is a view of one side of the bed shown in FIGS. 2 and 3;
FIG. 5 is a view of the other side of the bed shown in FIGS. 2 and 3;
FIG. 6 is a view of the foot of the bed shown in FIGS. 2 thru 5; and,
FIG. 7 is a view of the head of the bed shown in FIGS. 2 thru 5.

[56] **References Cited**
U.S. PATENT DOCUMENTS
D. 301,412 6/1989 Duvivier D6/395
3,737,926 6/1973 Hermanson 5/191
3,813,713 6/1974 Kipfer 5/238
4,106,140 8/1978 Kievits 5/191

1 Claim, 5 Drawing Sheets



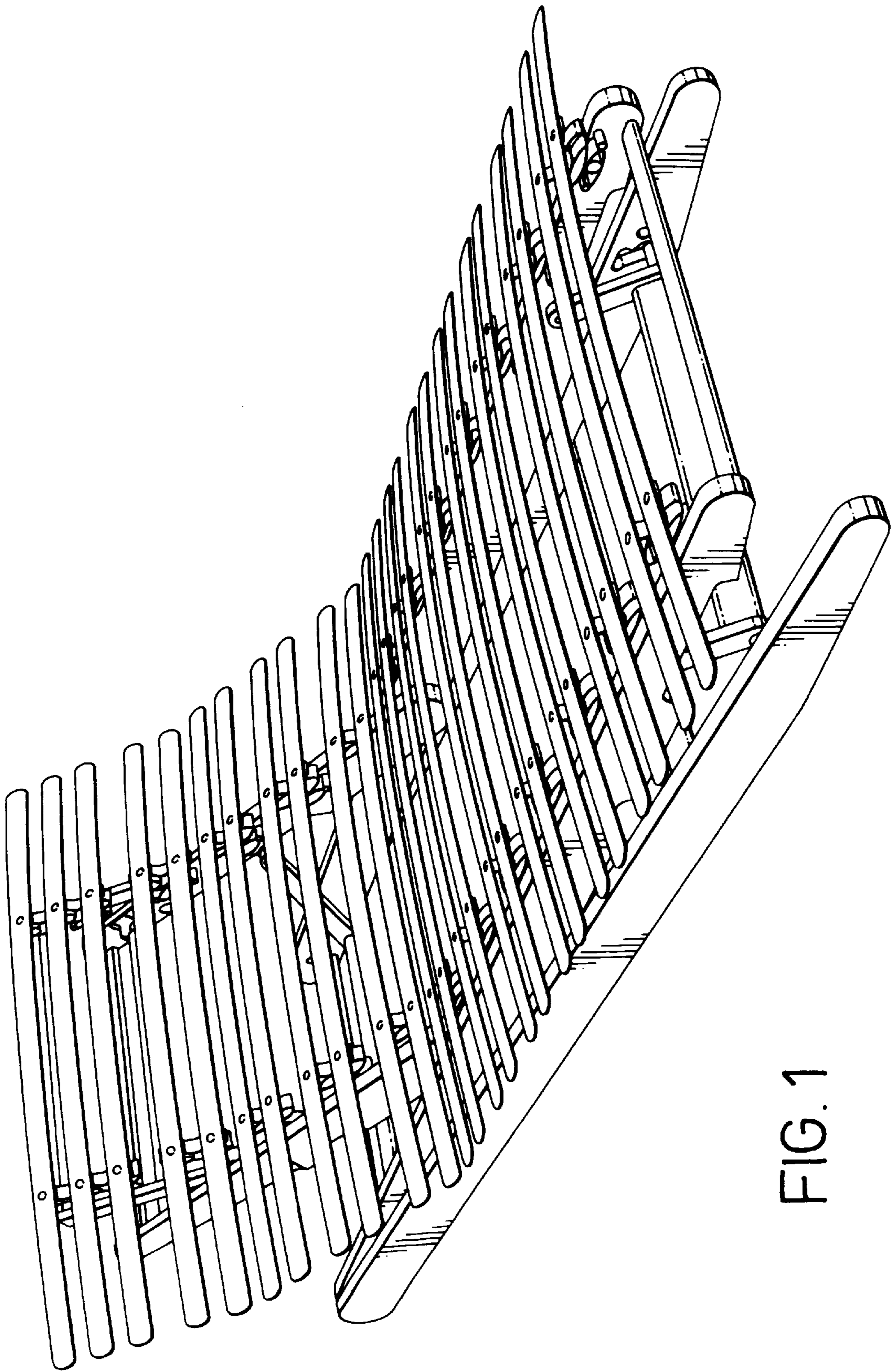


FIG. 1

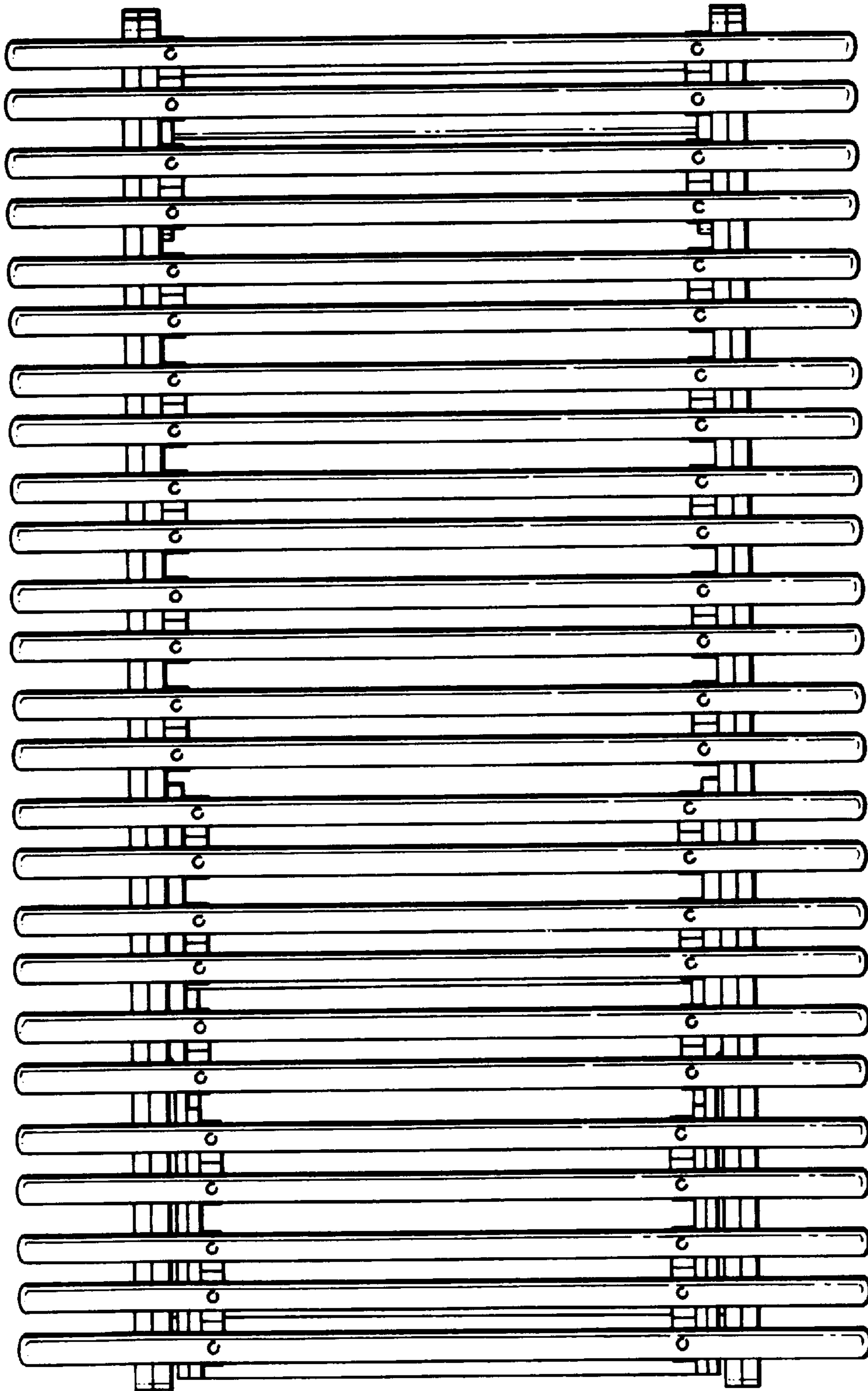


FIG. 2

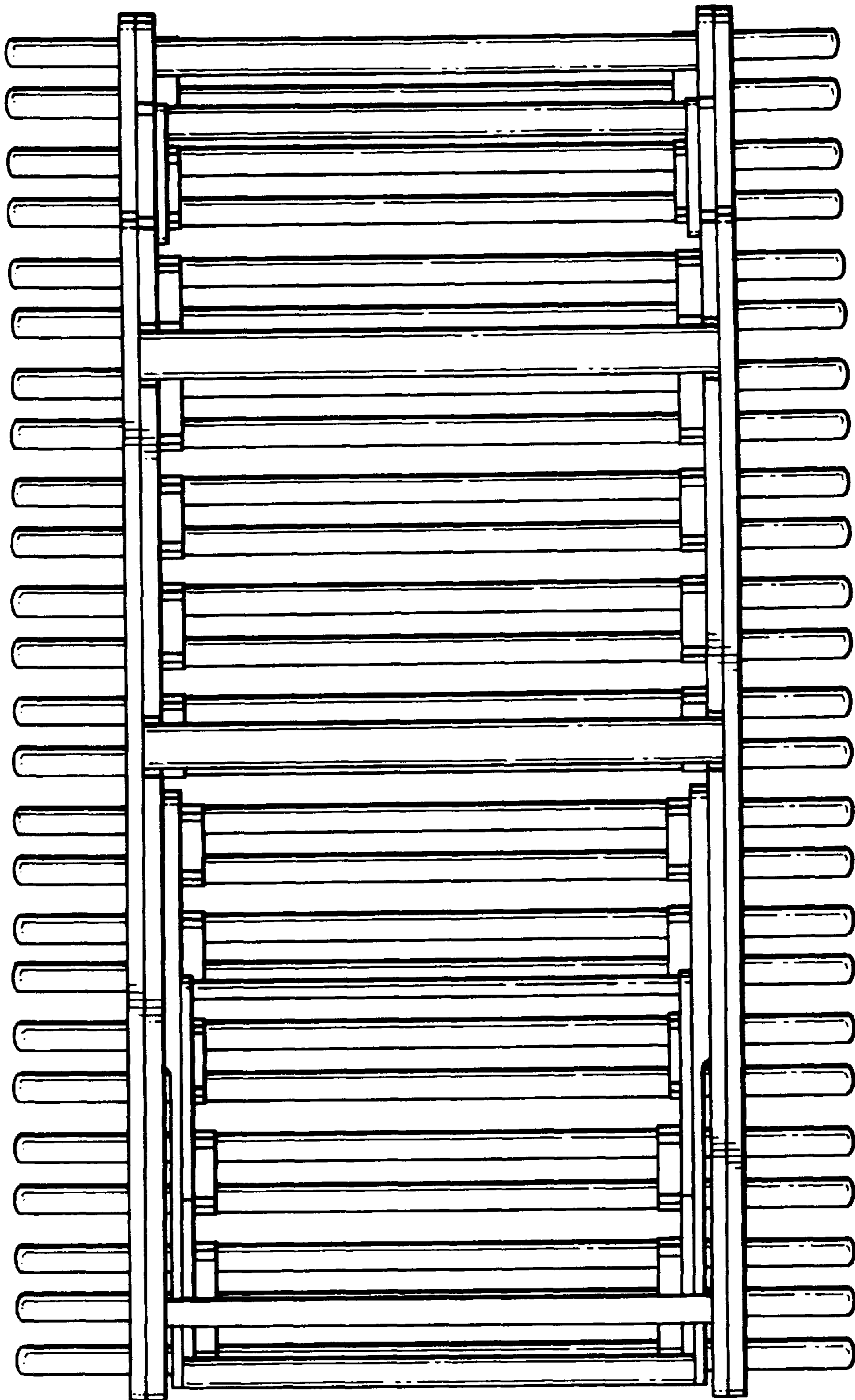


FIG. 3

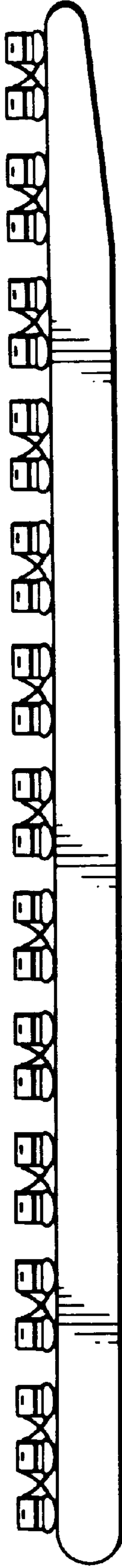


FIG. 4

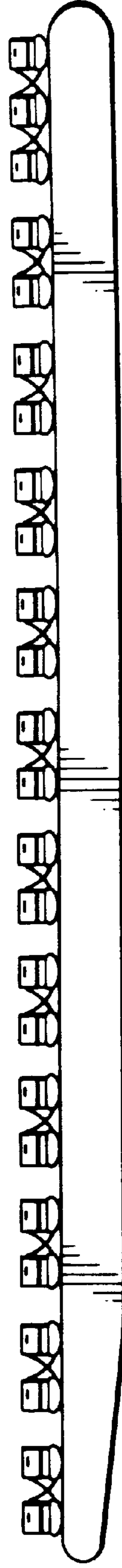


FIG. 5

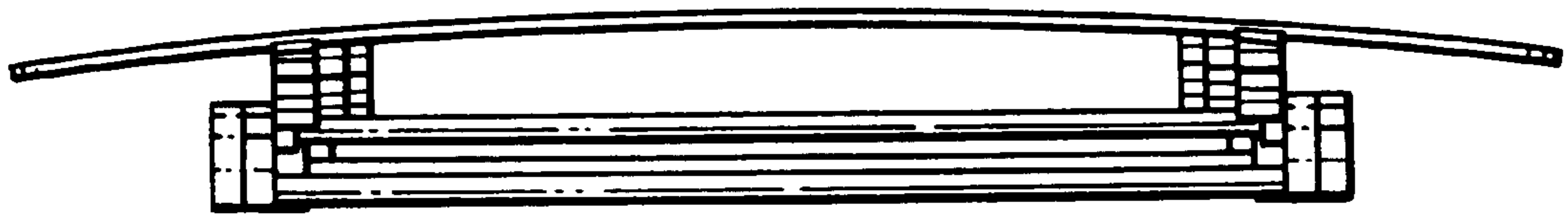


FIG. 6

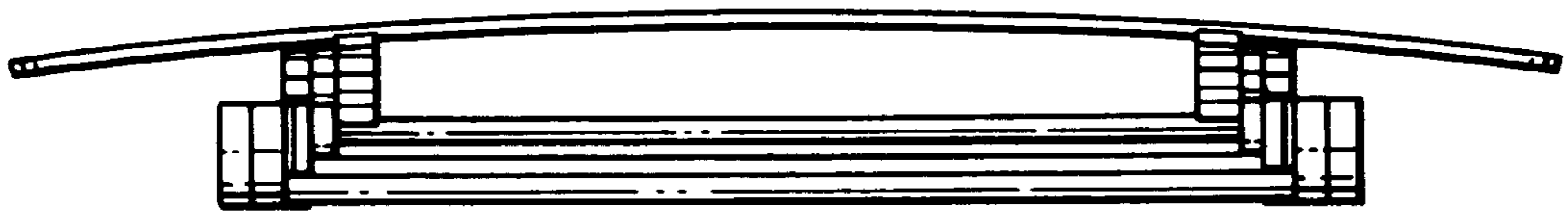


FIG. 7