



US00D421343S

United States Patent [19]

[11] **Patent Number: Des. 421,343**

Bennardo

[45] **Date of Patent: ** Mar. 7, 2000**

[54] **THEATER CHILD SEAT**

3,829,113 8/1974 Epelbaum 297/254
5,609,389 3/1997 Longoria et al. 297/153

[76] Inventor: **Salvatore Bennardo**, 213 18th St.,
Pittsburgh, Pa. 15215

Primary Examiner—Doris V. Coles
Assistant Examiner—Mimosa De

[**] Term: **14 Years**

[57] CLAIM

[21] Appl. No.: **29/101,578**

The ornamental design for a theater child seat, as shown and described.

[22] Filed: **Mar. 8, 1999**

DESCRIPTION

[51] **LOC (6) Cl.** **06-01**

[52] **U.S. Cl.** **D6/333**

[58] **Field of Search** D6/333, 335, 336,
D6/338, 339, 356, 500, 501, 502; 297/151,
153, 232, 250.1, 254, 256.15, 331, 487

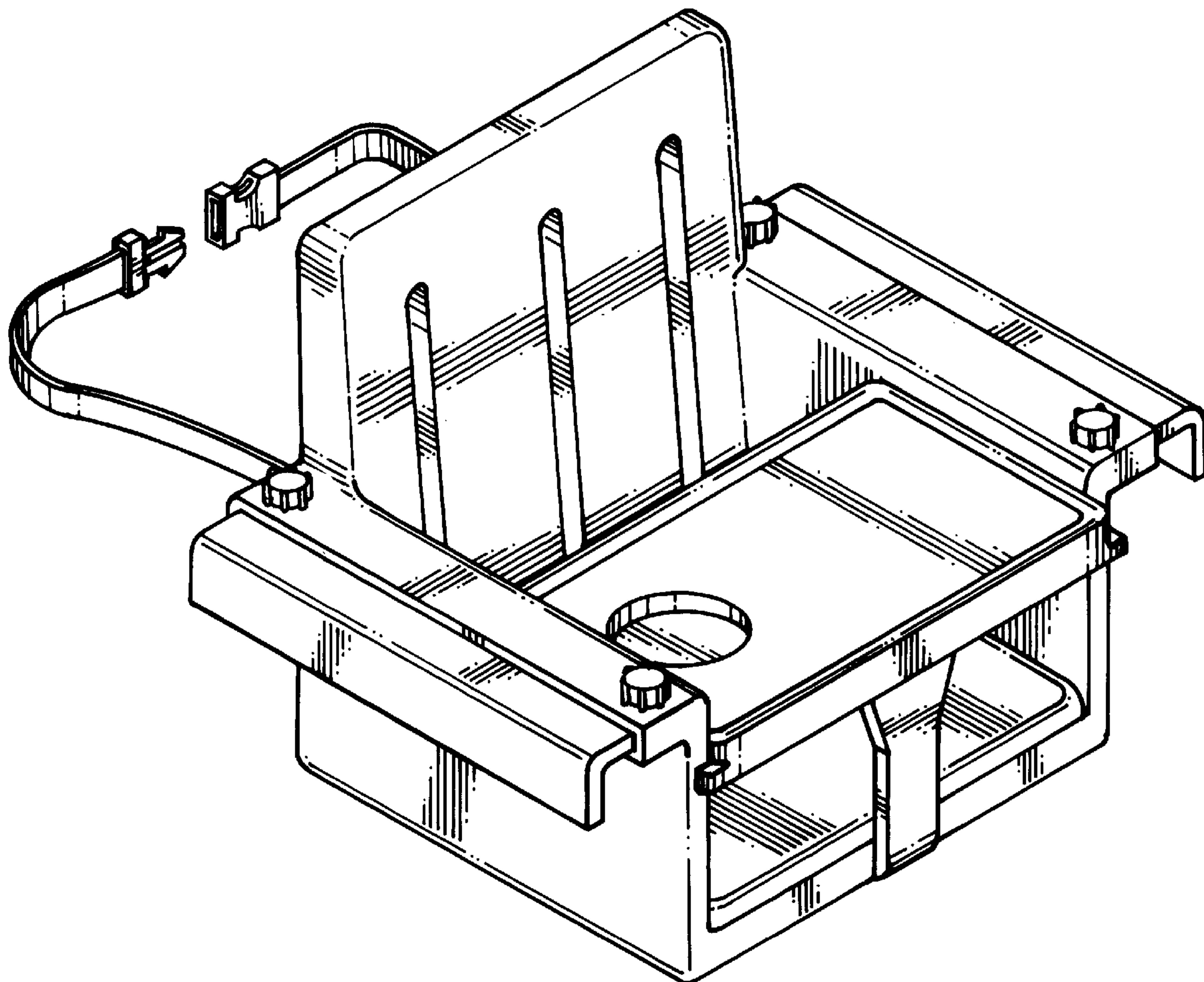
FIG. 1 is a perspective view of a theater child seat, showing my new design;
FIG. 2 is a front elevational view thereof;
FIG. 3 is a rear elevational view thereof;
FIG. 4 is a left side elevational view thereof, the right side elevational view being a mirror image of this figure;
FIG. 5 is a top plan view thereof; and,
FIG. 6 is a bottom plan view thereof.

[56] References Cited

U.S. PATENT DOCUMENTS

- D. 330,842 11/1992 Meeker et al. D6/333
- D. 364,508 11/1995 Pryor et al. D6/335
- 540,034 5/1895 Swan 297/331

1 Claim, 4 Drawing Sheets



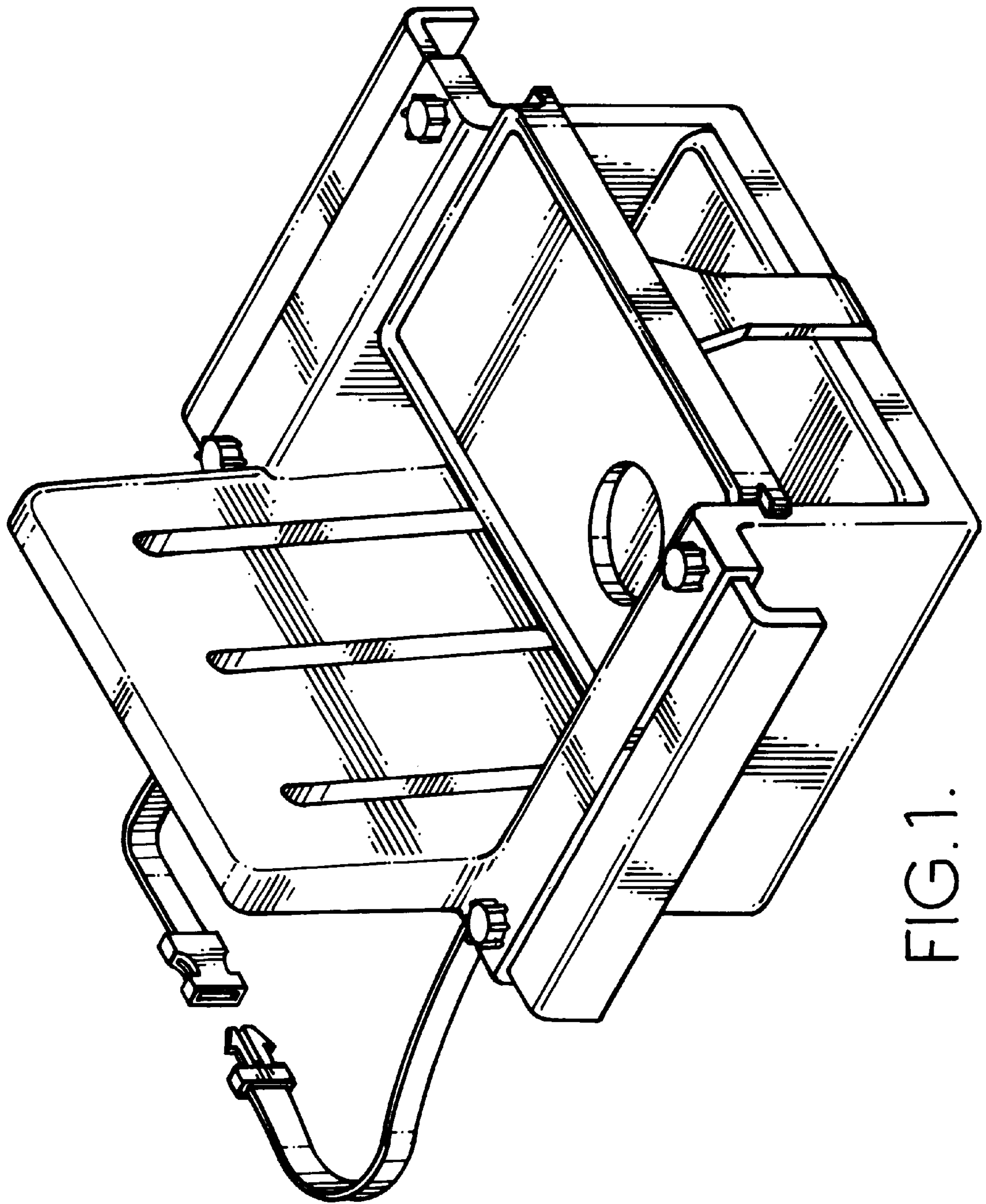


FIG. 1.

FIG. 4.

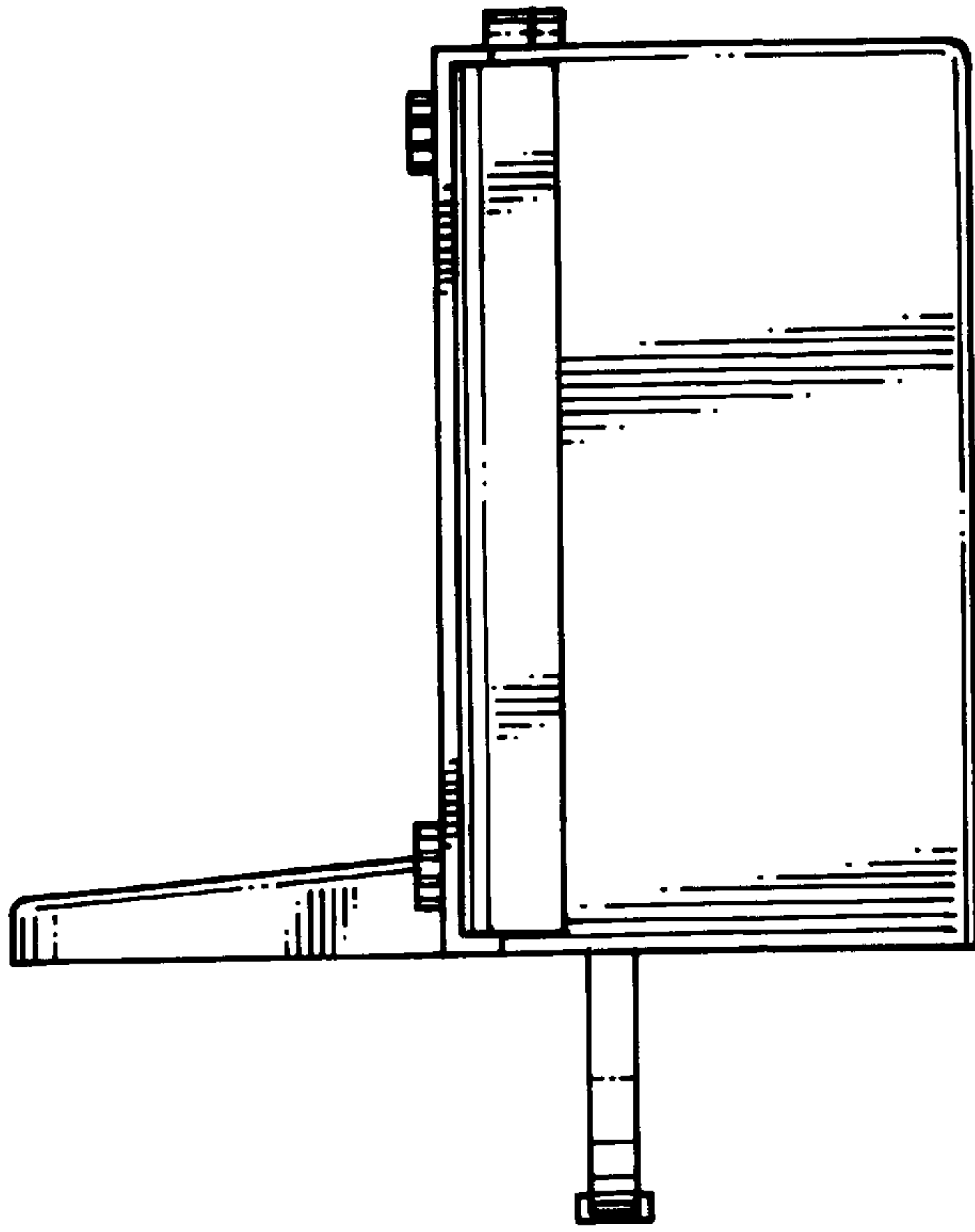


FIG. 2.

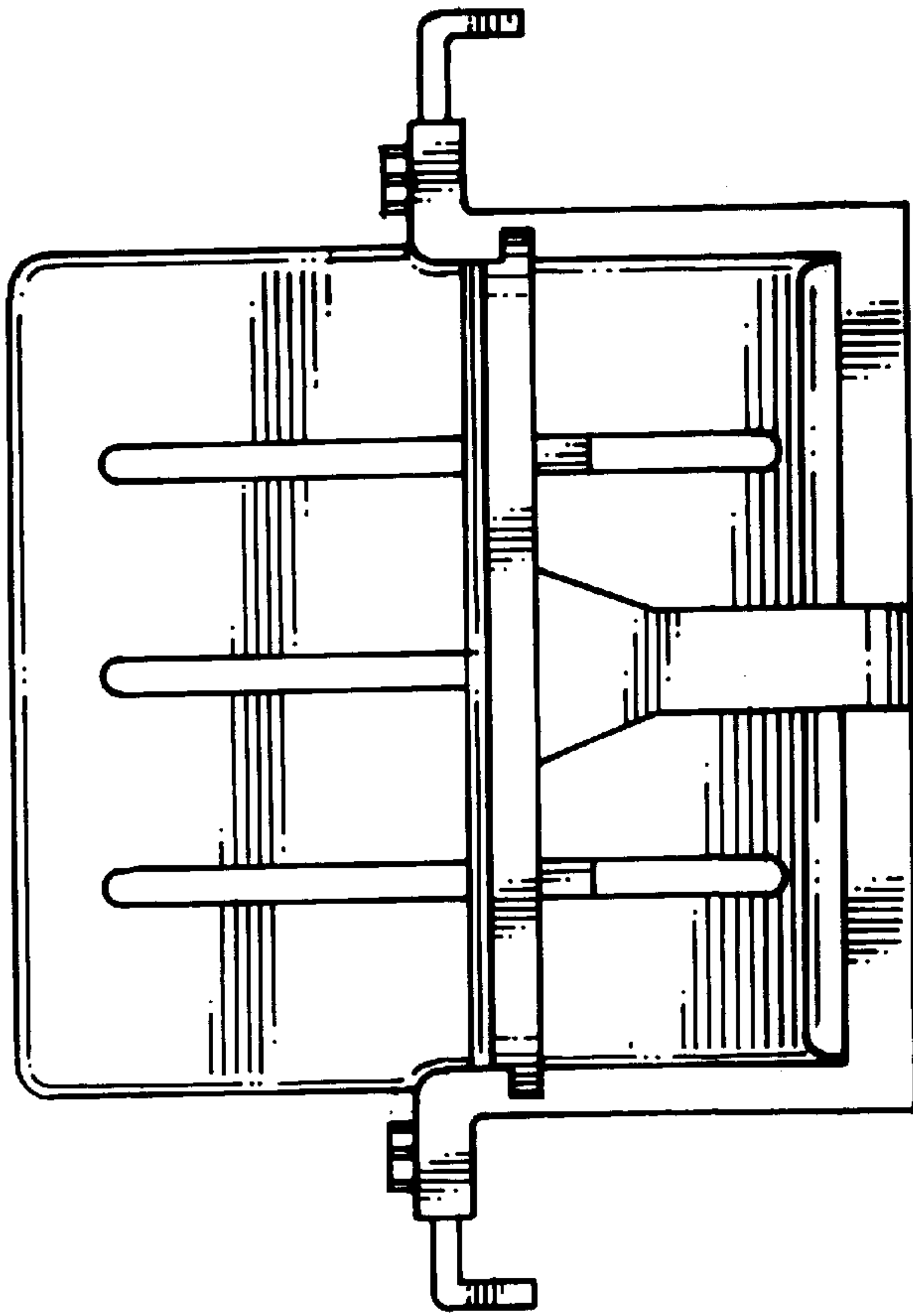


FIG. 5.

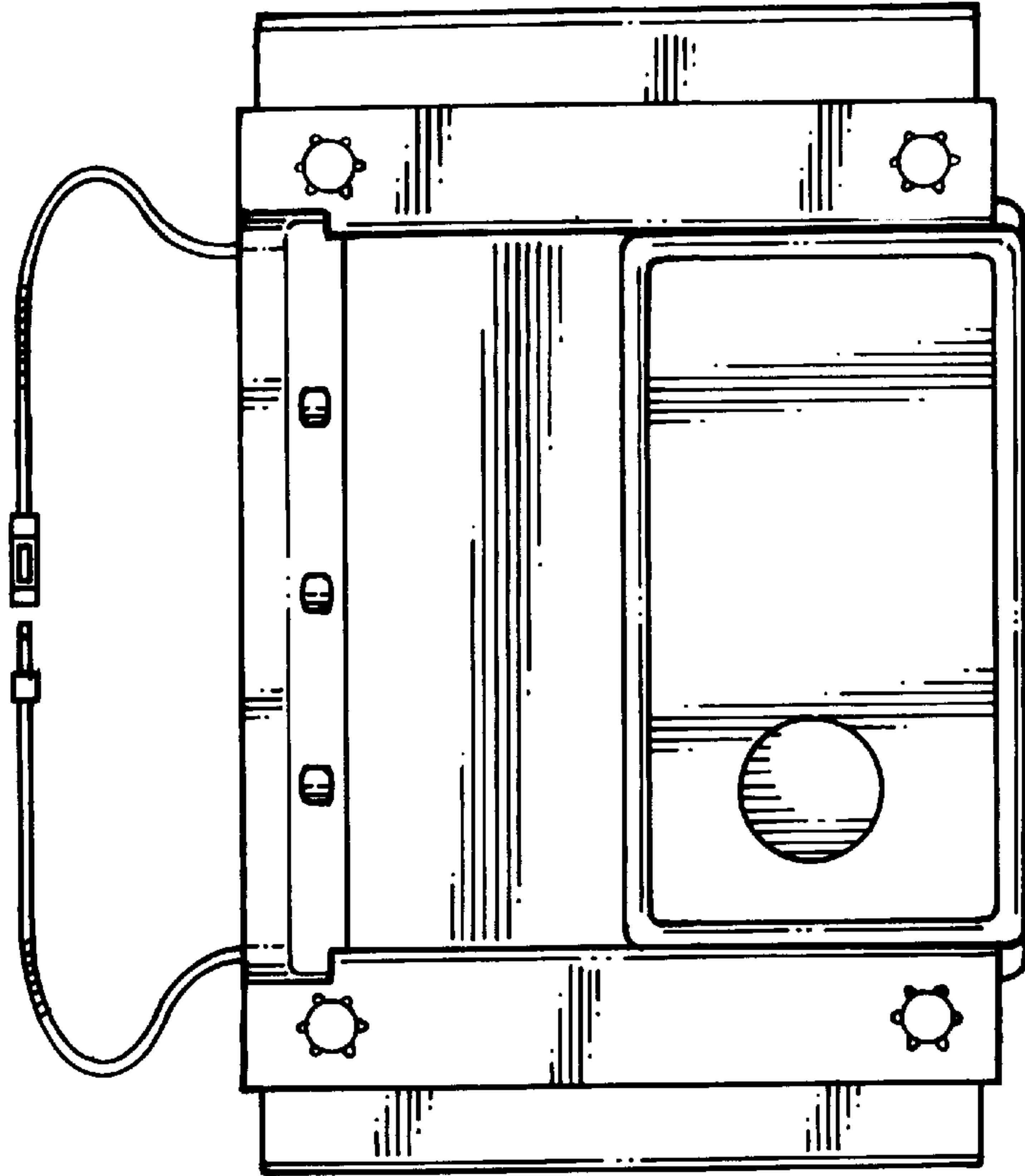
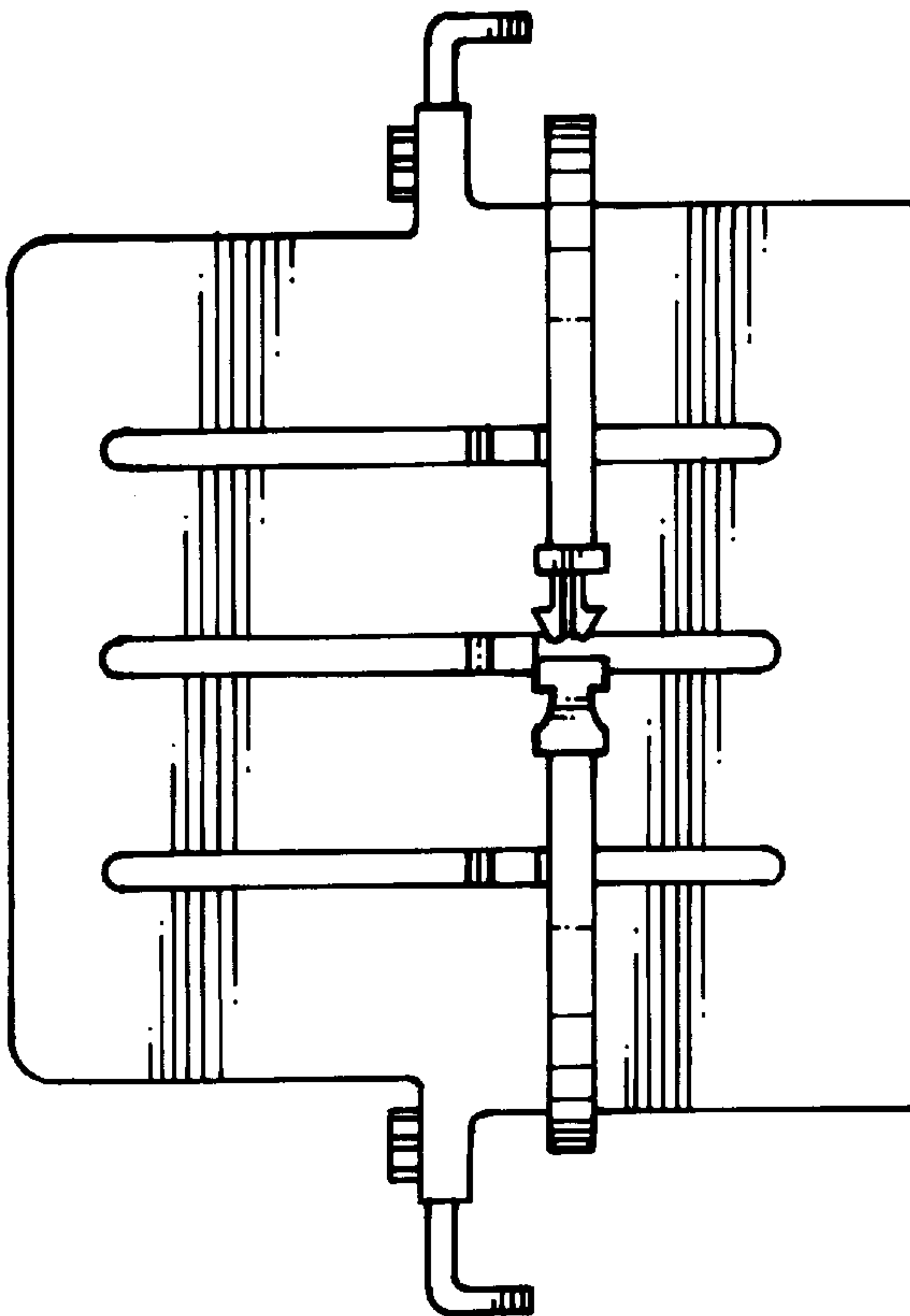


FIG. 3.



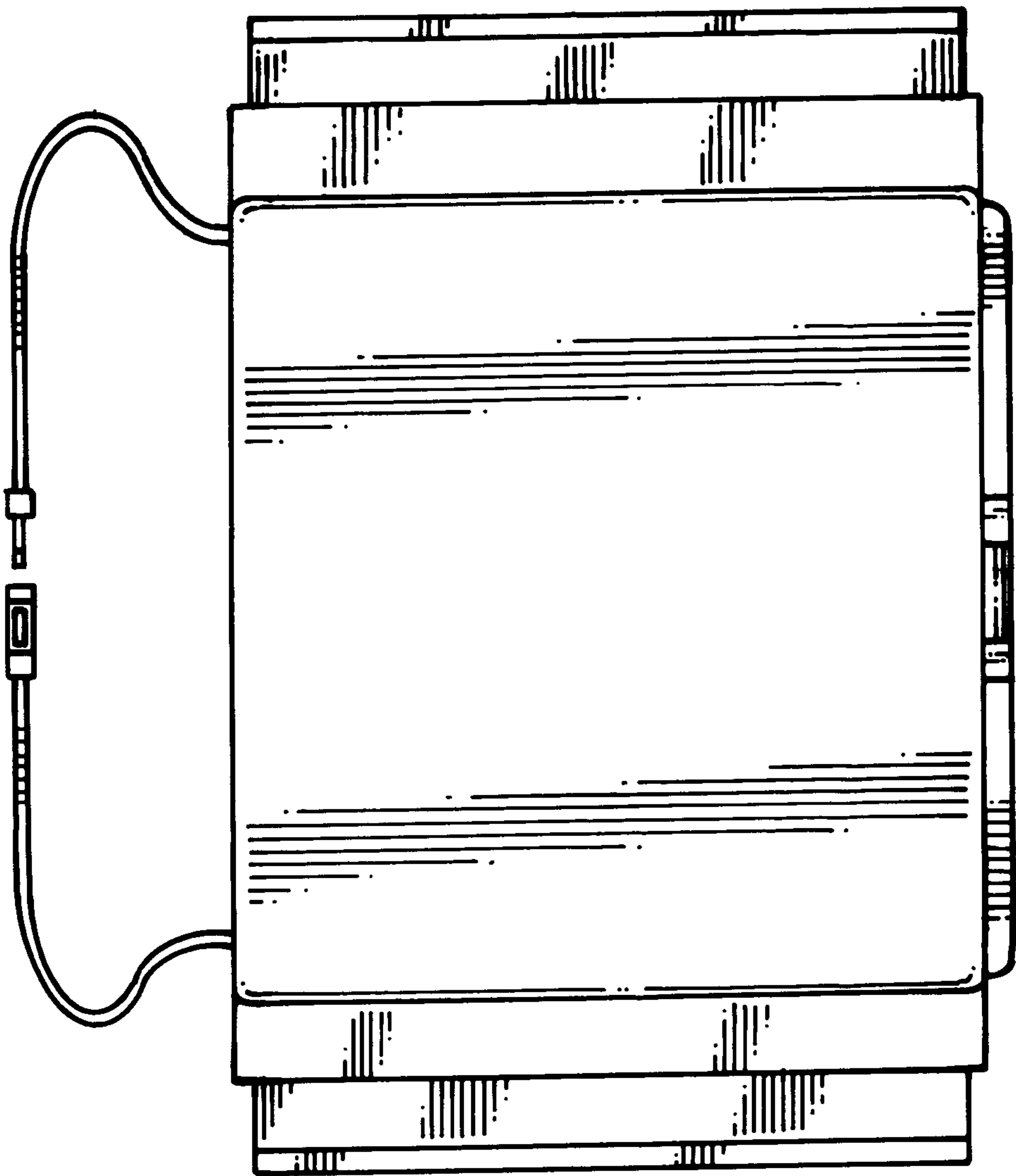


FIG. 6.