



US00D421340S

United States Patent [19] Whitaker

[11] **Patent Number: Des. 421,340**
[45] **Date of Patent: ** Mar. 7, 2000**

[54] **MOLDED HAND SHIELD FOR A BRUSH**

[75] Inventor: **W. Michael Whitaker**, Asheboro, N.C.

[73] Assignee: **Whit Corporation**, Ramseur, N.C.

[**] Term: **14 Years**

[21] Appl. No.: **29/085,522**

[22] Filed: **Mar. 25, 1998**

[51] **LOC (6) Cl.** **04-99**

[52] **U.S. Cl.** **D4/199**

[58] **Field of Search** D4/113, 129, 138,
D4/199, 116; 15/246, 248.1; 280/821; D20/28;
229/74, 75

[56] **References Cited**

U.S. PATENT DOCUMENTS

D. 260,822	9/1981	Sapronetti	D4/116
4,516,870	5/1985	Nakazato	.	
4,657,282	4/1987	Koch	280/821

Primary Examiner—Alan P. Douglas
Assistant Examiner—Lavone D. Tabor
Attorney, Agent, or Firm—Griffin, Butler, Whisenhunt & Szipl, LLP

[57] **CLAIM**

The ornamental design for a molded hand shield for a brush, as shown and described.

DESCRIPTION

FIG. 1 is a top plan view of a molded hand shield for a brush in accordance with the design of this invention;
FIG. 2 is a cross-sectional view of the molded hand shield for a brush of FIG. 1, taken on line II—II;
FIG. 3 is a rear end elevational plan view of the molded hand shield for a brush of FIG. 1;
FIG. 4 is an isometric view of the molded hand shield for a brush of FIG. 1 mounted on a grill brush which is shown in broken lines for illustrative purposes only and forms no part of the claimed design; and,
FIG. 5 is a bottom plan view of the molded hand shield for a brush of FIG. 1.

1 Claim, 2 Drawing Sheets

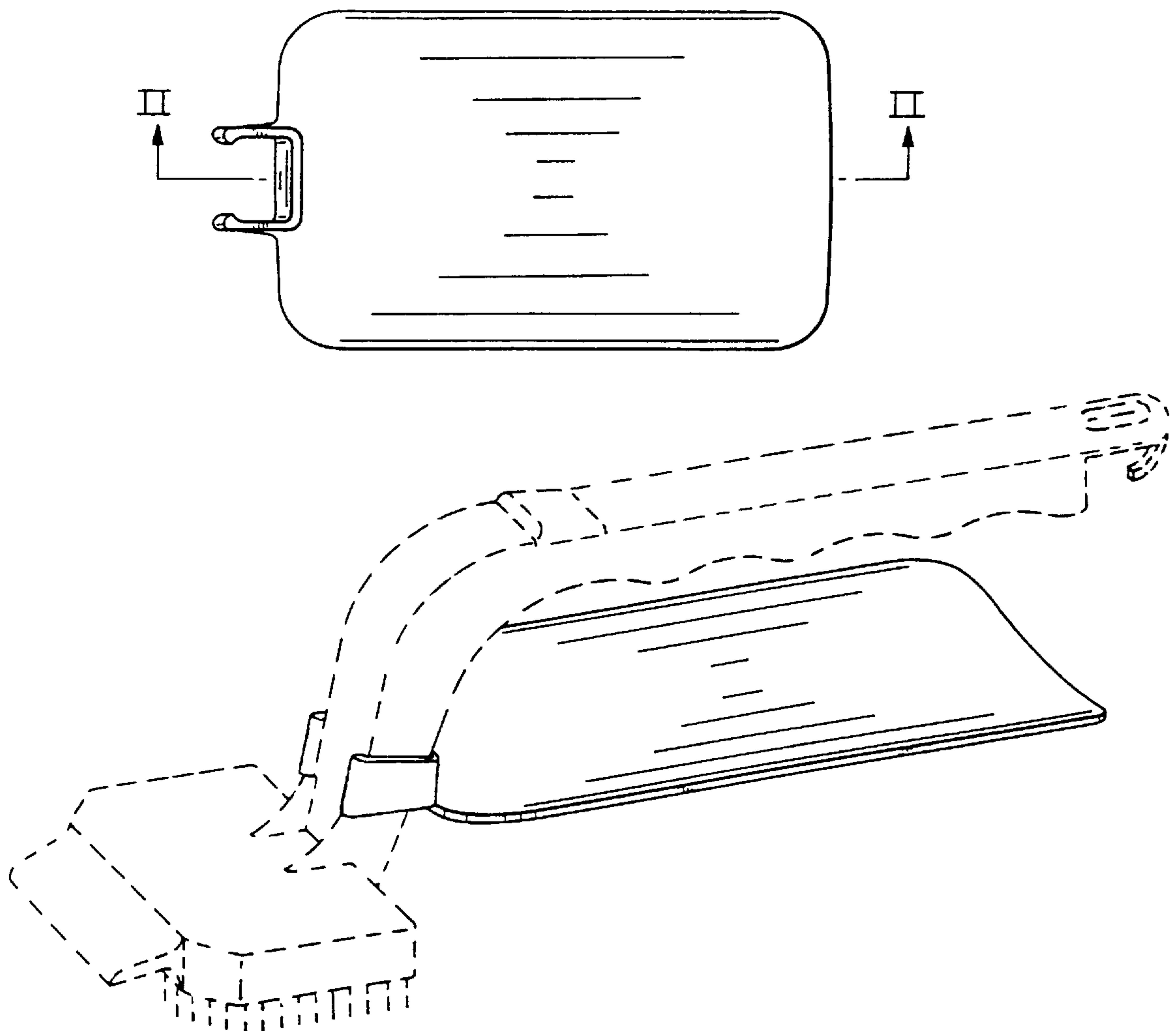


FIG. 1

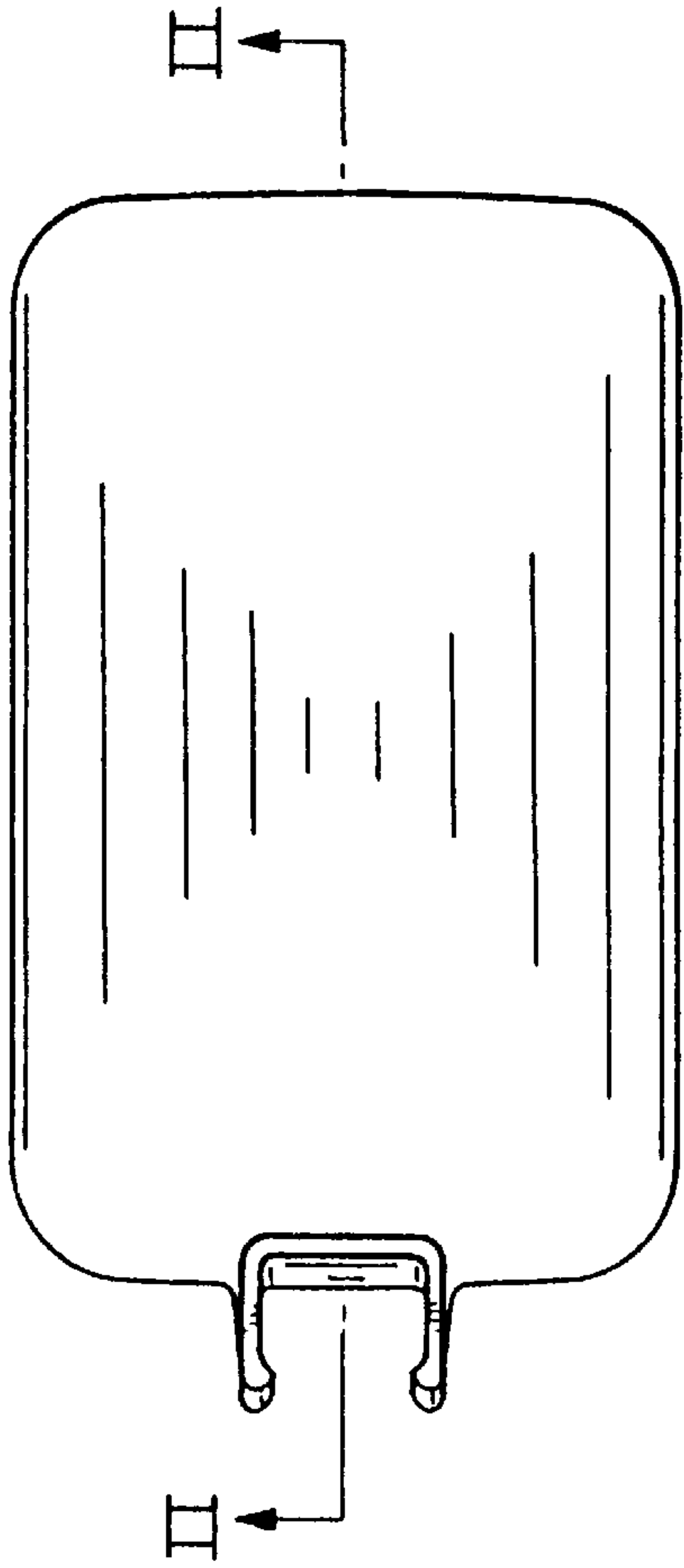
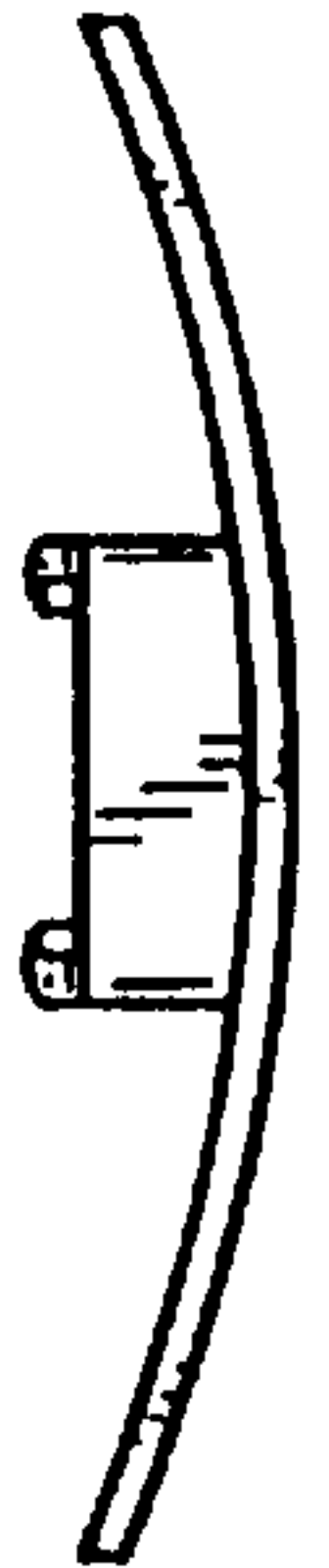


FIG. 2



FIG. 3



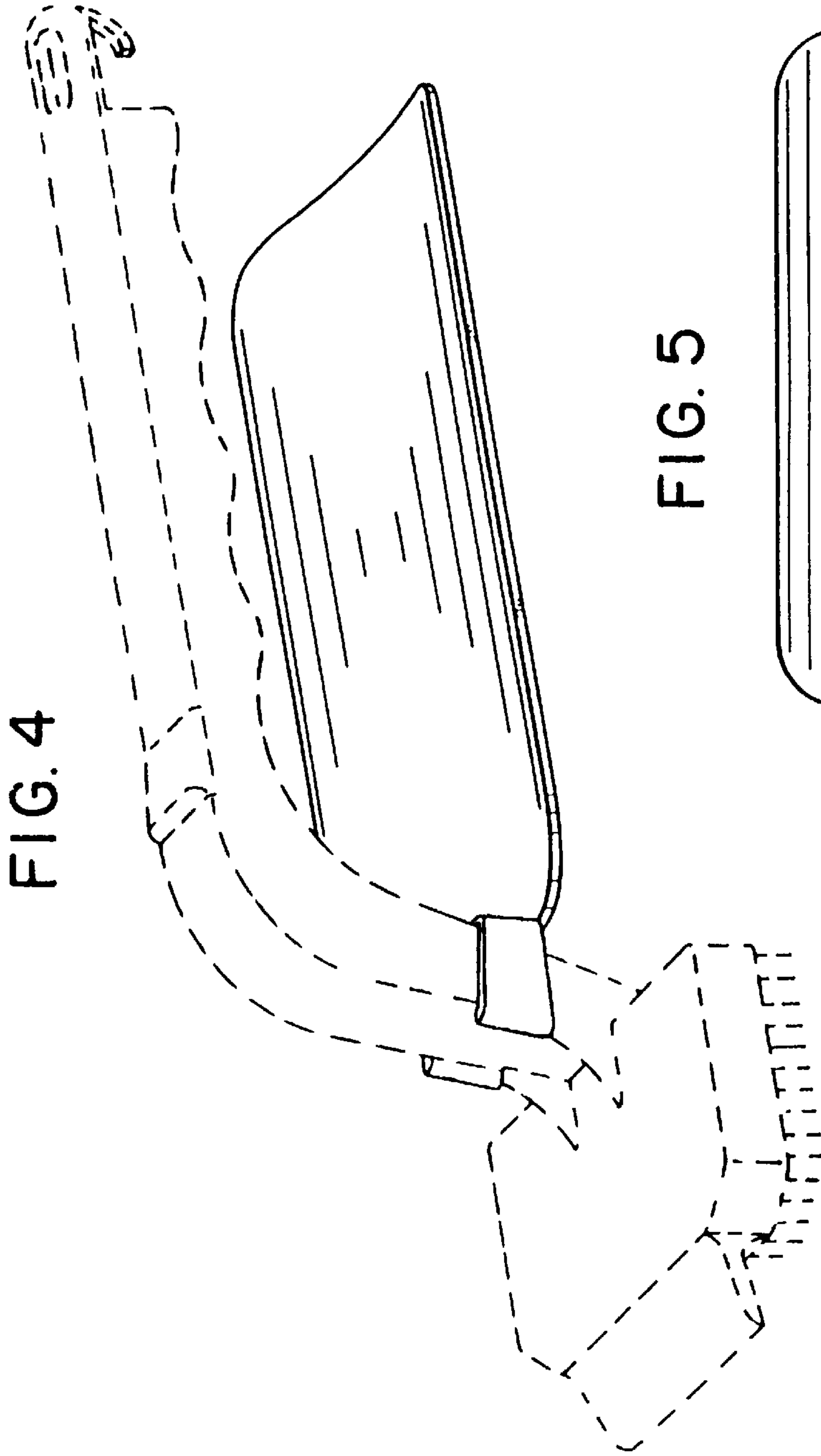


FIG. 5

