



US00D421337S

**United States Patent** [19]  
**Stevens**

[11] **Patent Number: Des. 421,337**  
[45] **Date of Patent: \*\* Mar. 7, 2000**

[54] **PORTABLE CARRIER FOR CLEANING SUPPLIES**

[76] Inventor: **Thomas G. Stevens**, 126 S. Wacouta Ave., Prairie du Chien, Wis. 53821

[\*\*] Term: **14 Years**

[21] Appl. No.: **29/108,176**

[22] Filed: **Jul. 21, 1999**

[51] **LOC (6) Cl.** ..... **03-01**

[52] **U.S. Cl.** ..... **D3/315**

[58] **Field of Search** ..... D3/315, 304-314, D3/283, 260, 901, 201, 20, 200; 206/1.7, 373, 374, 375; D32/53, 53.1; 220/486, 570

[56] **References Cited**

**U.S. PATENT DOCUMENTS**

D. 153,235	3/1949	Pressberger	.....	D3/200
D. 281,929	12/1985	Strobel et al.	.....	D3/901
D. 307,843	5/1990	Parshall	.....	D6/521
D. 324,198	2/1992	Sundstrom, Jr.	.....	D12/157
D. 326,203	5/1992	Butler	.....	D6/522
D. 326,347	5/1992	Ancona et al.	.....	D3/315
D. 341,463	11/1993	Booth	.....	D3/315
D. 364,039	11/1995	Kruger	.....	D3/315

D. 379,730	6/1997	Dickman	.....	D6/608
4,353,182	10/1982	Junkas et al.	.....	43/54.5
4,580,695	4/1986	Lum	.	
4,690,345	9/1987	Cotey	.	
4,917,238	4/1990	Schumacher	.....	206/223
5,490,625	2/1996	Myatt	.....	225/47
5,553,701	9/1996	Jarecki et al.	.....	220/570 X

*Primary Examiner*—Louis S. Zarfaz  
*Assistant Examiner*—Catherine R. Oliver  
*Attorney, Agent, or Firm*—Goldstein & Canino

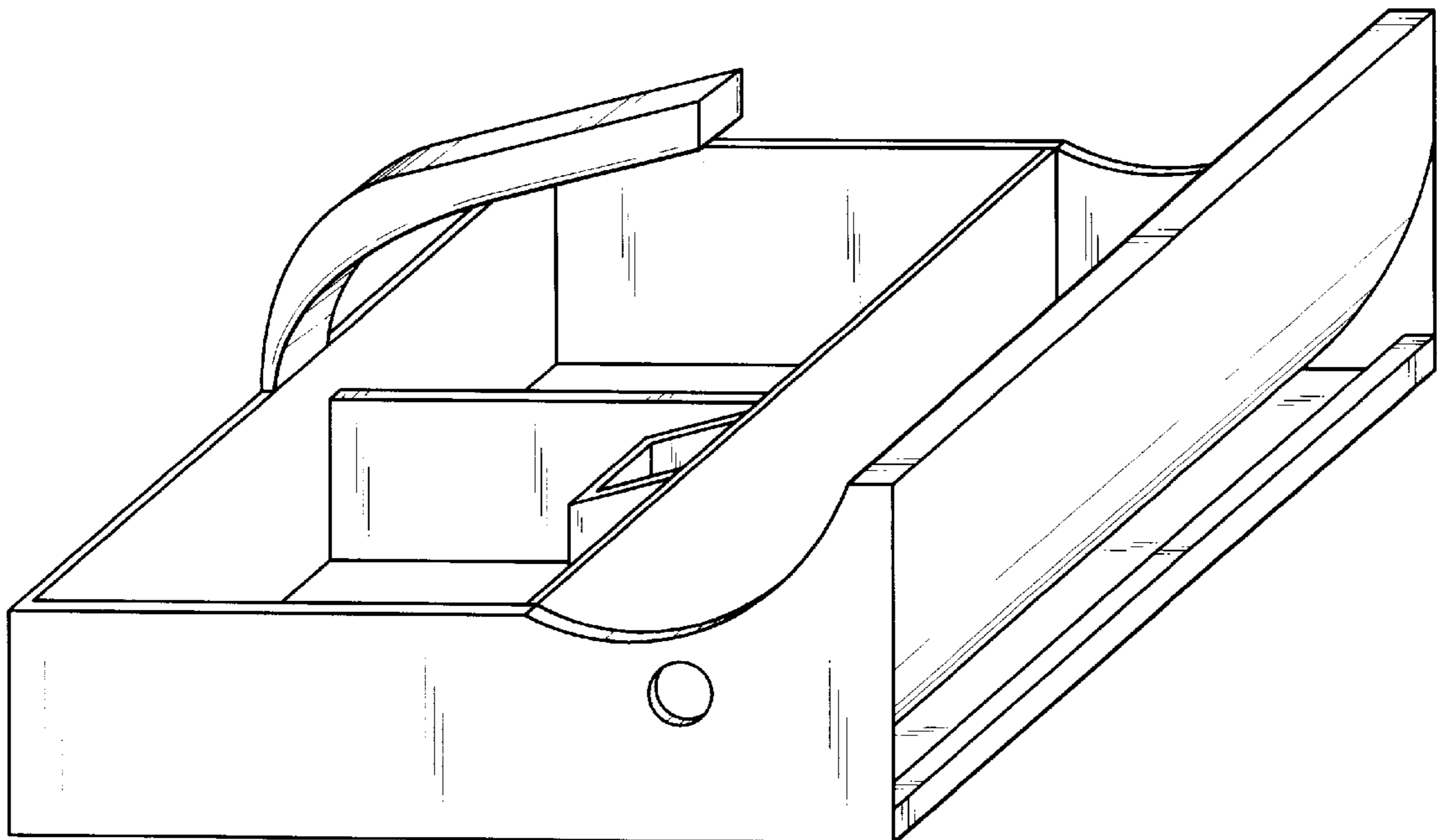
[57] **CLAIM**

The ornamental design for a portable carrier for cleaning supplies, as shown and described.

**DESCRIPTION**

FIG. 1 is a diagrammatic perspective view of a portable carrier for cleaning supplies.  
FIG. 2 is a left side elevational view thereof, the right side elevational view being a mirror image of the left side view.  
FIG. 3 is a rear elevational view thereof.  
FIG. 4 is a front elevational view thereof.  
FIG. 5 is a top plan view of the portable carrier for cleaning supplies; and,  
FIG. 6 is a bottom plan view thereof.

**1 Claim, 3 Drawing Sheets**



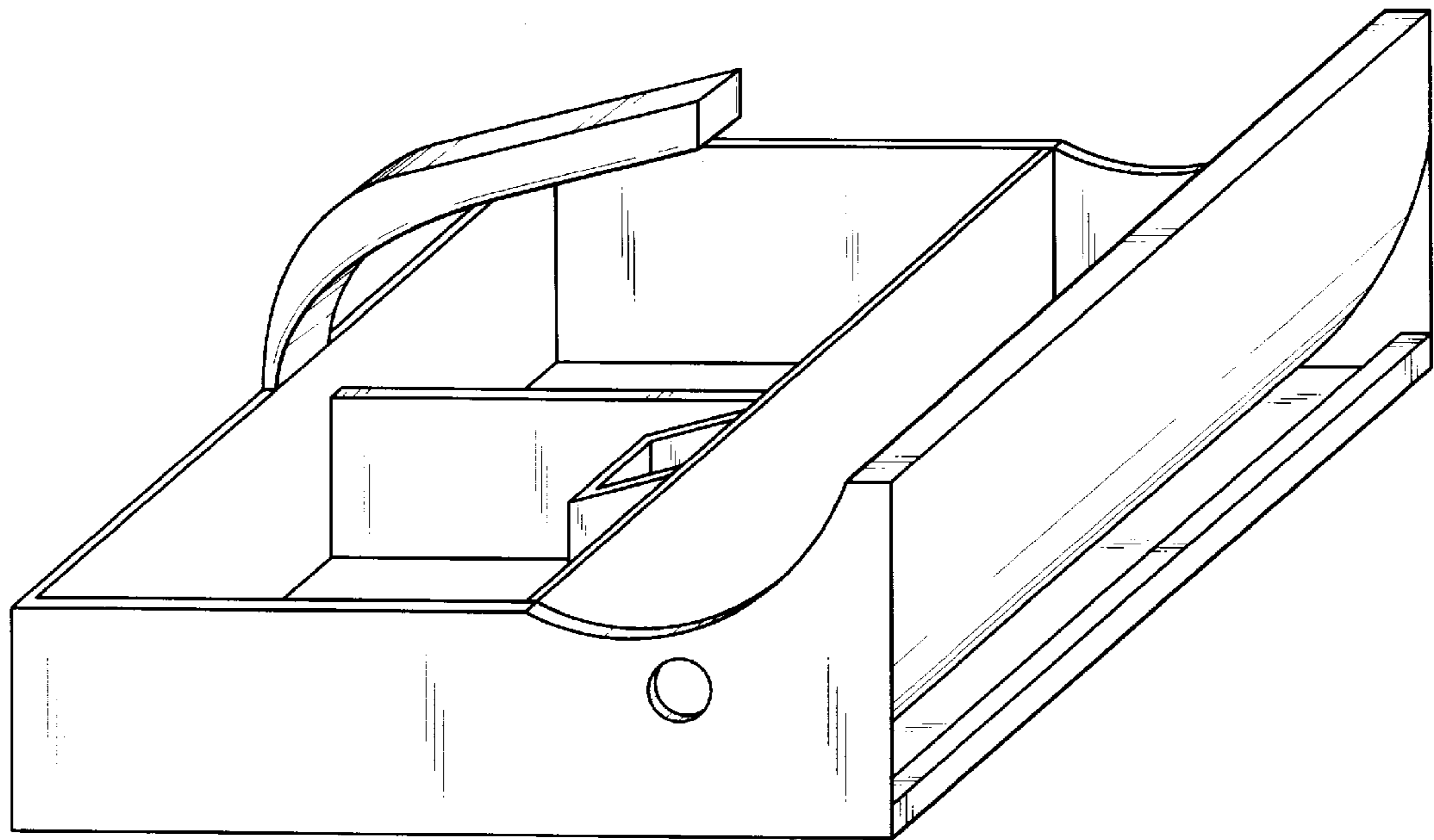


FIG. 1

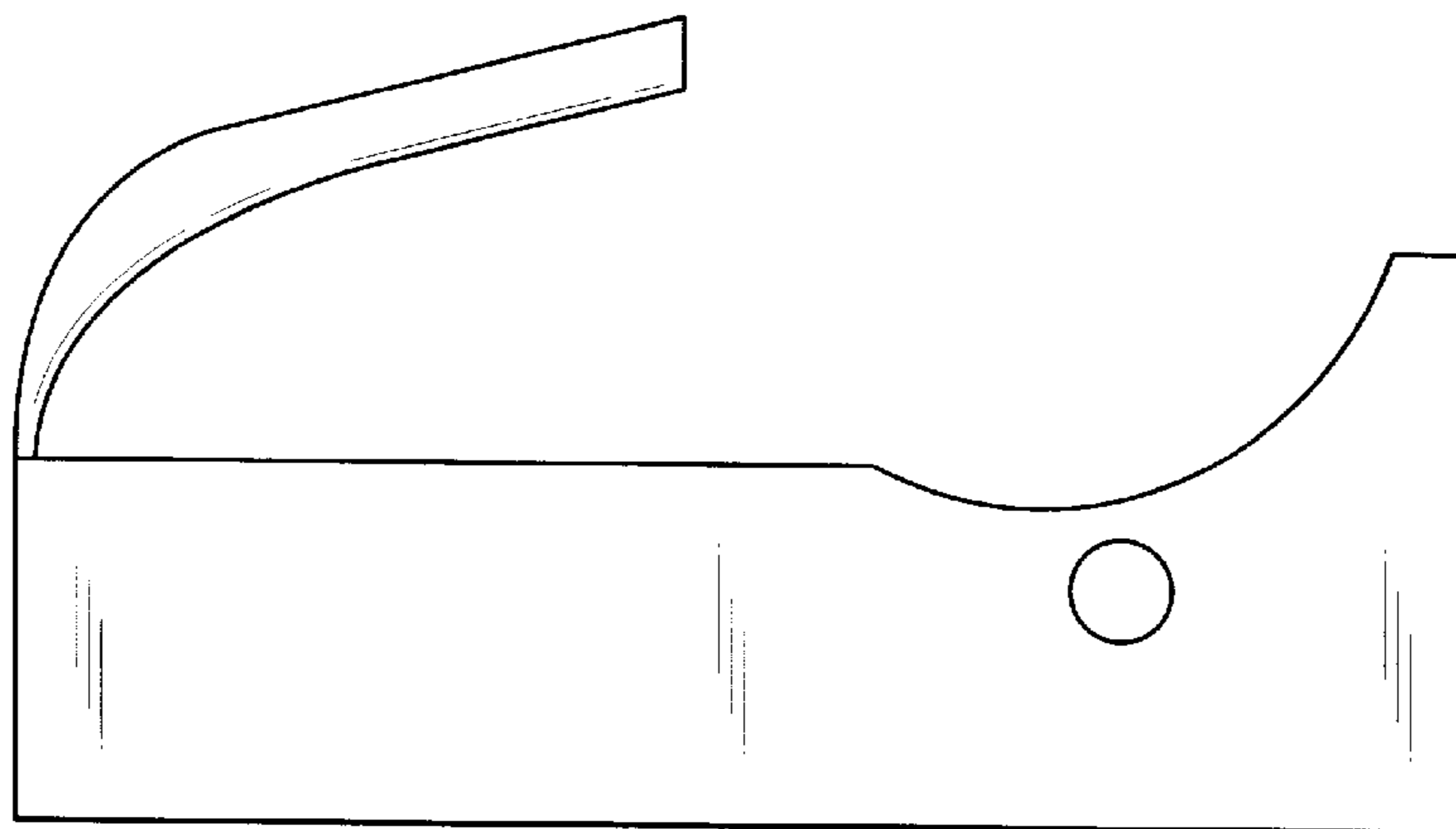


FIG. 2

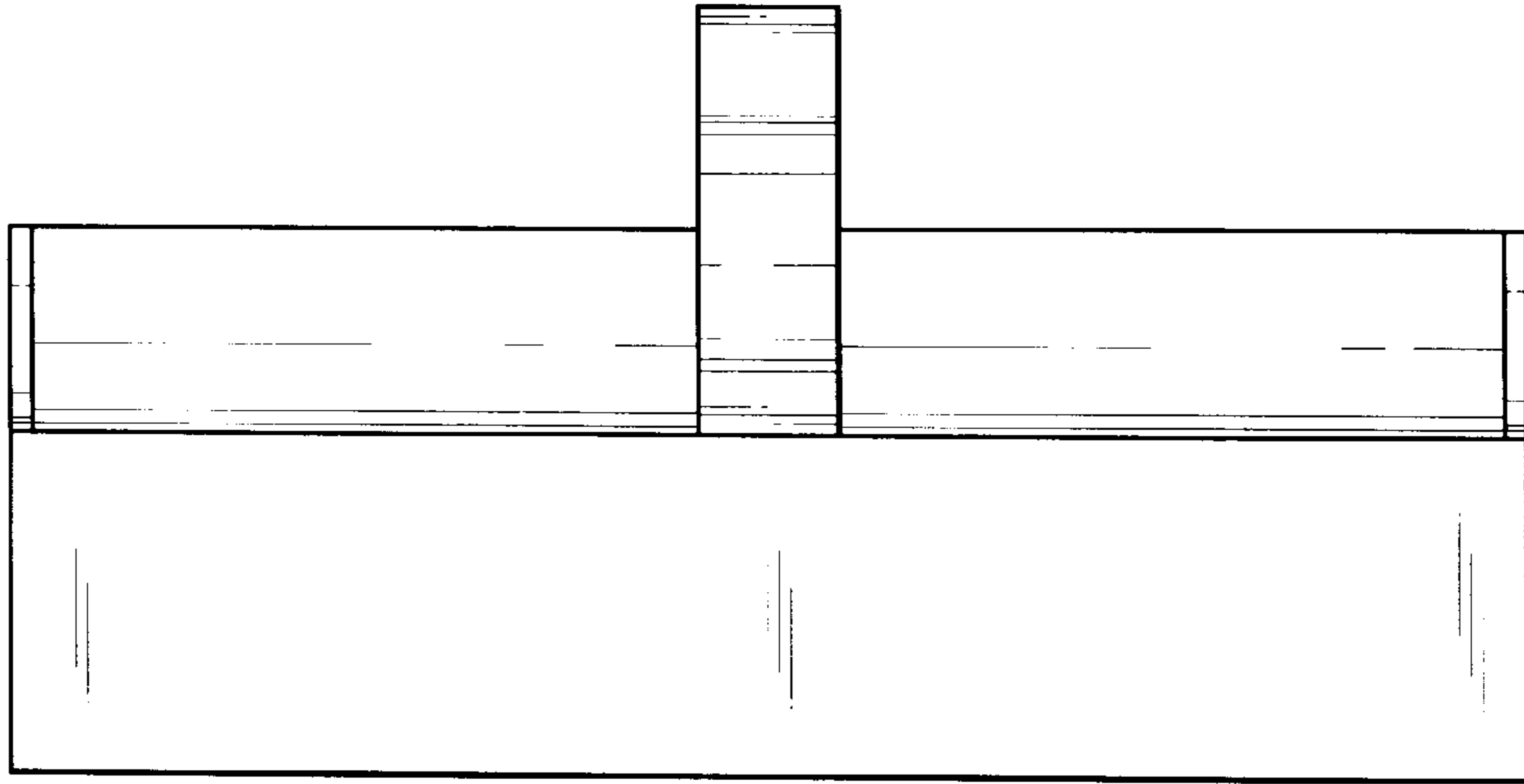


FIG. 3

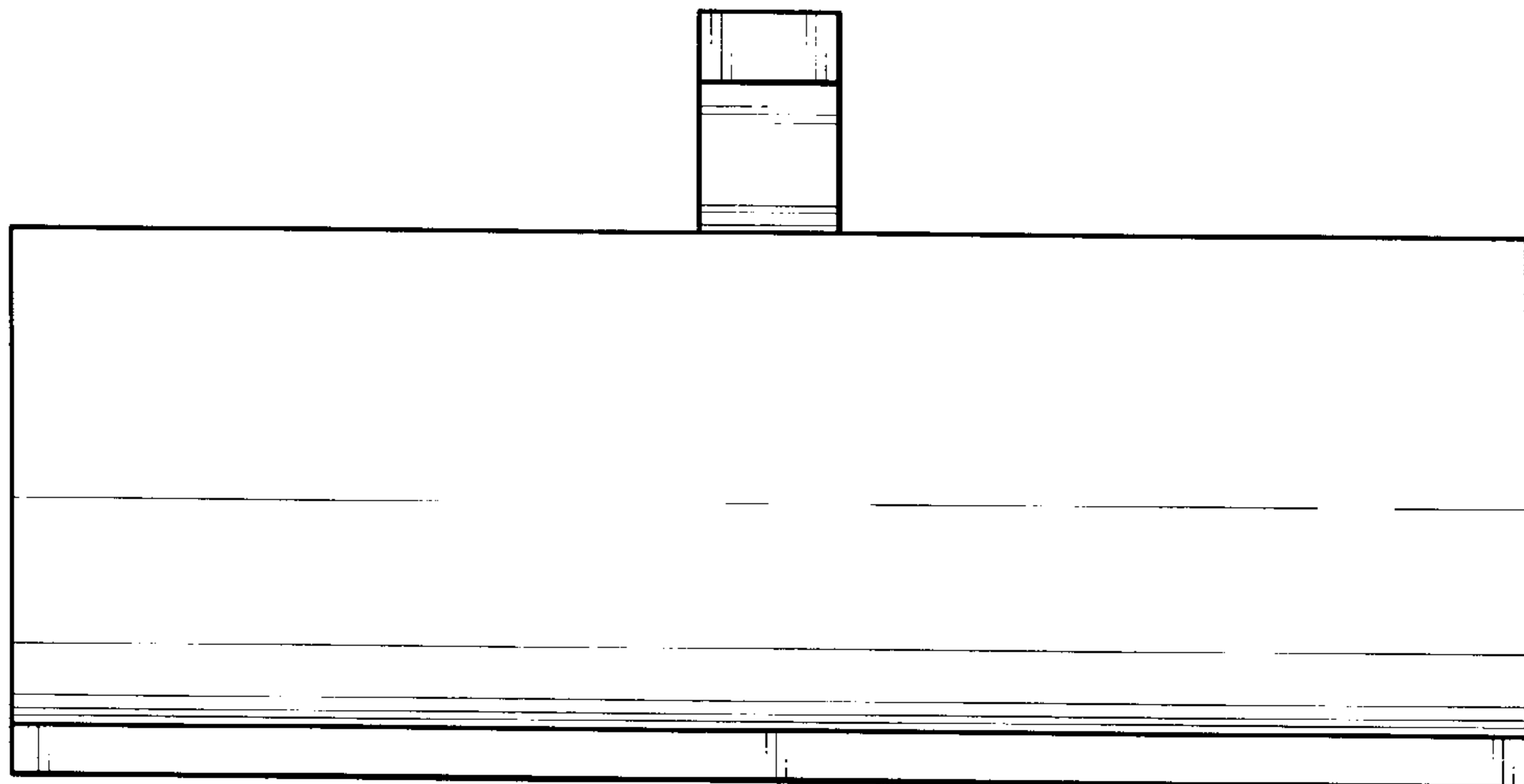


FIG. 4

FIG. 5

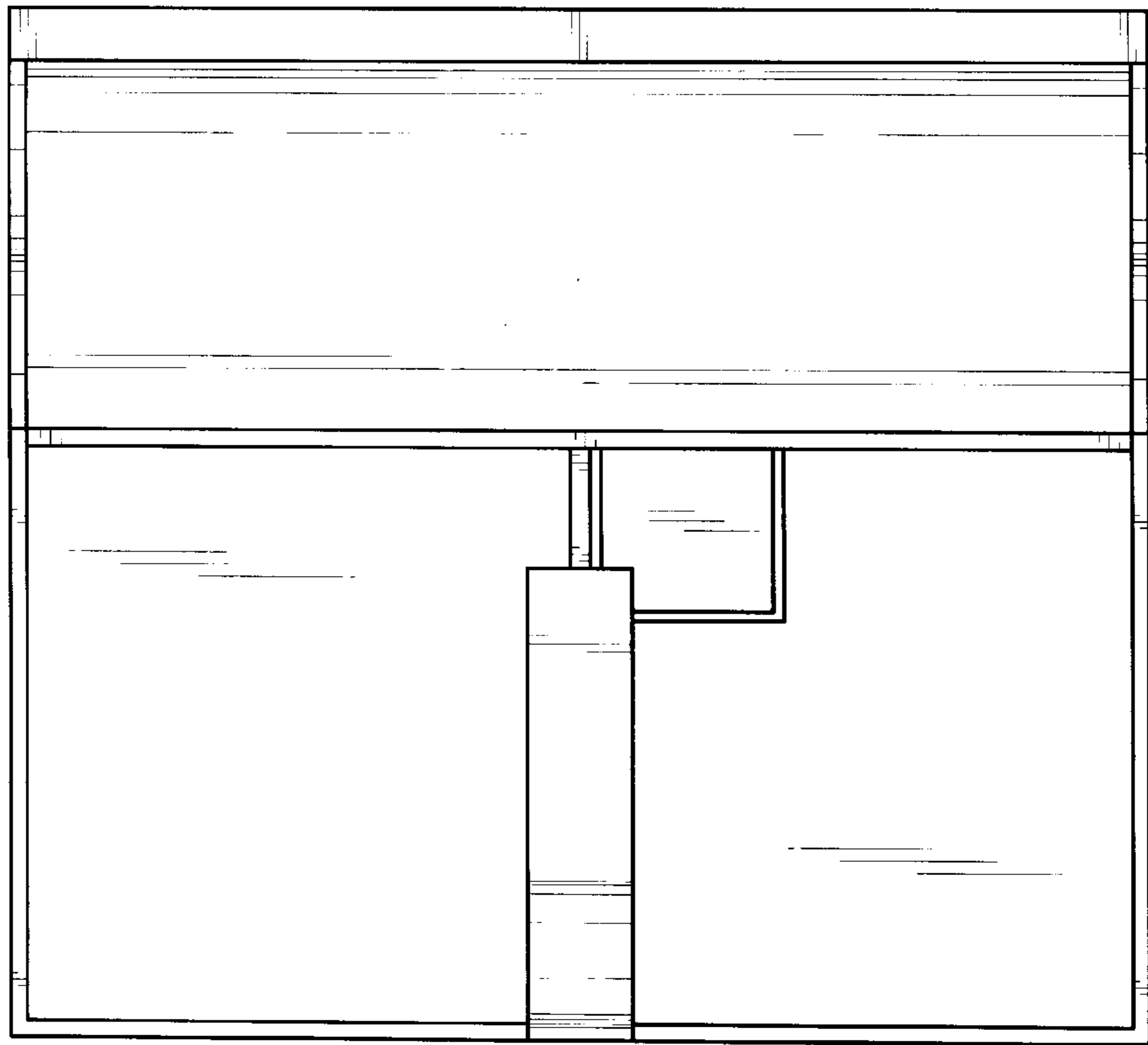


FIG. 6

