



US00D421336S

United States Patent [19]

[11] Patent Number: Des. 421,336

Demore et al.

[45] Date of Patent: ** Mar. 7, 2000

[54] BASKET

[75] Inventors: Anthony Demore, Copley, Ohio;
Patrick Douglas, Minneapolis, Minn.

[73] Assignee: Rubbermaid Incorporated, Wooster, Ohio

[**] Term: 14 Years

[21] Appl. No.: 29/106,256

[22] Filed: Jun. 9, 1999

[51] LOC (6) Cl. 03-01

[52] U.S. Cl. D3/314; D3/201; D3/304;
D32/53

[58] Field of Search D3/303, 304, 307,
D3/308, 309, 312, 314; D11/143; 220/675,
676; D32/53

[56] References Cited

U.S. PATENT DOCUMENTS

D. 202,134	8/1965	Bryan	D32/53
D. 277,993	3/1985	Sinchok	D34/44
D. 286,339	10/1986	van Berne et al.	D34/43
D. 292,634	11/1987	Chabot	D34/43
D. 300,488	4/1989	Yoshikawa	D6/465
D. 301,076	5/1989	Yoshikawa	D34/21
D. 302,066	7/1989	Yoshikawa	D34/40
D. 302,897	8/1989	Shchamorov et al.	D34/40
D. 307,348	4/1990	Yoshikawa	D34/40
D. 325,278	4/1992	van der Vlies	D34/40
D. 330,963	11/1992	Hampshire	D34/40
D. 330,964	11/1992	Hampshire	D3/309
D. 333,910	3/1993	Rorke	D3/312 X
D. 336,698	6/1993	Conaway et al.	D34/40
D. 348,345	6/1994	Yoshikawa	D3/307
D. 348,346	6/1994	Yoshikawa	D3/310
D. 349,813	8/1994	Schwartzkopf	D3/340
D. 355,073	2/1995	Junaedi	D3/350
D. 359,850	7/1995	Staubitz et al.	D3/314
D. 364,272	11/1995	Brightbill	D3/312
D. 372,583	8/1996	Brightbill	D3/314
D. 374,555	10/1996	McMath	D3/272
D. 380,088	6/1997	Kolada et al.	D3/312

D. 386,042	11/1997	Miller	D7/396.1
D. 398,118	9/1998	Douglas	D34/1
D. 400,331	10/1998	Rausch	D34/1
D. 401,067	11/1998	Hampshire	D3/306 X
D. 404,867	1/1999	Rashid	D34/1
866,087	9/1907	Temper	220/676
2,060,468	11/1936	Mitchell	220/676
3,769,932	11/1973	Romito et al.	220/676
3,861,581	1/1975	Sellors	229/41 B
4,760,921	8/1988	Licari	206/504

OTHER PUBLICATIONS

P. 11, Baskets; Contico Manufacturing Company, 1101 Warson Road, St. Louis, Missouri 63120. Publication date 1991-1992.

Catalog page, Baskets; Frem Corporation, 60 Webster Place, Box 4, Worcester, MA 01603. Published at least as early as 1993.

Sell sheet, Baskets; Sterilite Corporation, P.O. Box 524, Main Street, Townsend, Massachusetts. Publication date 1991.

(List continued on next page.)

Primary Examiner—Louis S. Zarfaz
Assistant Examiner—Monica A. Weingart
Attorney, Agent, or Firm—Richard B. O’Planick

[57] CLAIM

The ornamental design for a basket, as shown and described.

DESCRIPTION

FIG. 1 is a top left front perspective view of a basket showing our new design; the broken lines are for illustrative purposes and form no part of the claimed design.

FIG. 2 is a front elevational view thereof; the rear elevational view being a mirror image;

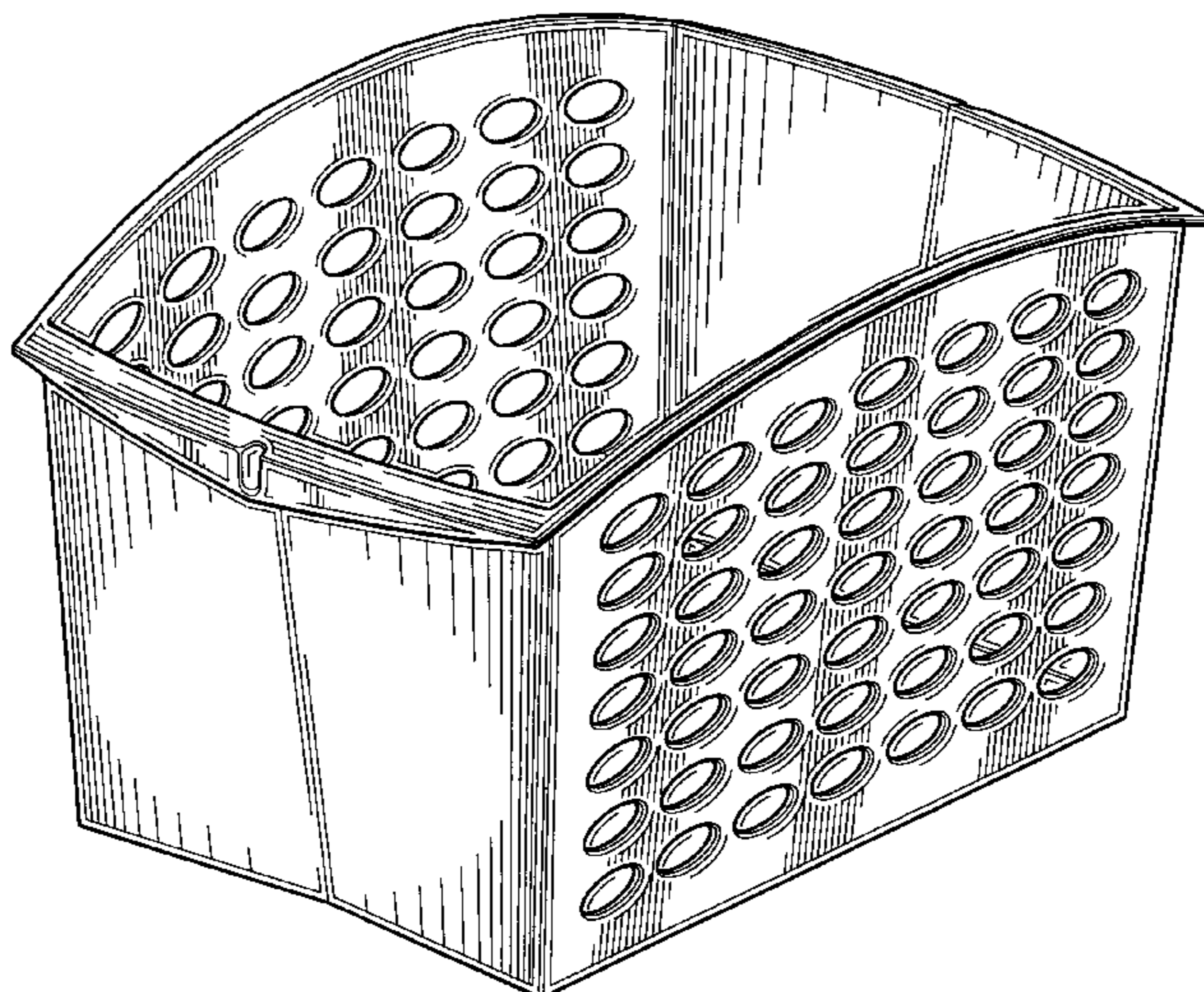
FIG. 3 is a top plan view thereof;

FIG. 4 is a right side elevational view thereof; the left side elevational view being a mirror image;

FIG. 5 is a bottom plan view thereof; and,

FIG. 6 is a top left front perspective view thereof.

1 Claim, 6 Drawing Sheets



OTHER PUBLICATIONS

Catalog page, Baskets; Sterilite Corporation, P.O. Box 524, Main Street, Townsend, Massachusetts. Publication date 1990.

Catalog page, Baskets; Sterilite Corporation, P.O. Box 524, Main Street, Townsend, Massachusetts. Publication date 1990.

Catalog page, Baskets; Sterilite Corporation, P.O. Box 524, Main Street, Townsend, Massachusetts. Publication date 1990.

Catalog page, Baskets; Tucker Housewares, 25 Tucker Drive, Leominster, Massachusetts 01453. Publication date Jan., 1989.

Catalog page, Baskets; Tucker Housewares, 25 Tucker Drive, Leominster, Massachusetts 01453. Published at least as early as 1991.

Catalog page, Baskets; Tucker Housewares, 25 Tucker Drive, Leominster, Massachusetts 01453. Published at least as early as Apr., 1991.

P. 20, Baskets; Rubbermaid Incorporated, 1147 Akron Road, Wooster, Ohio 44691. Publication date 1986.

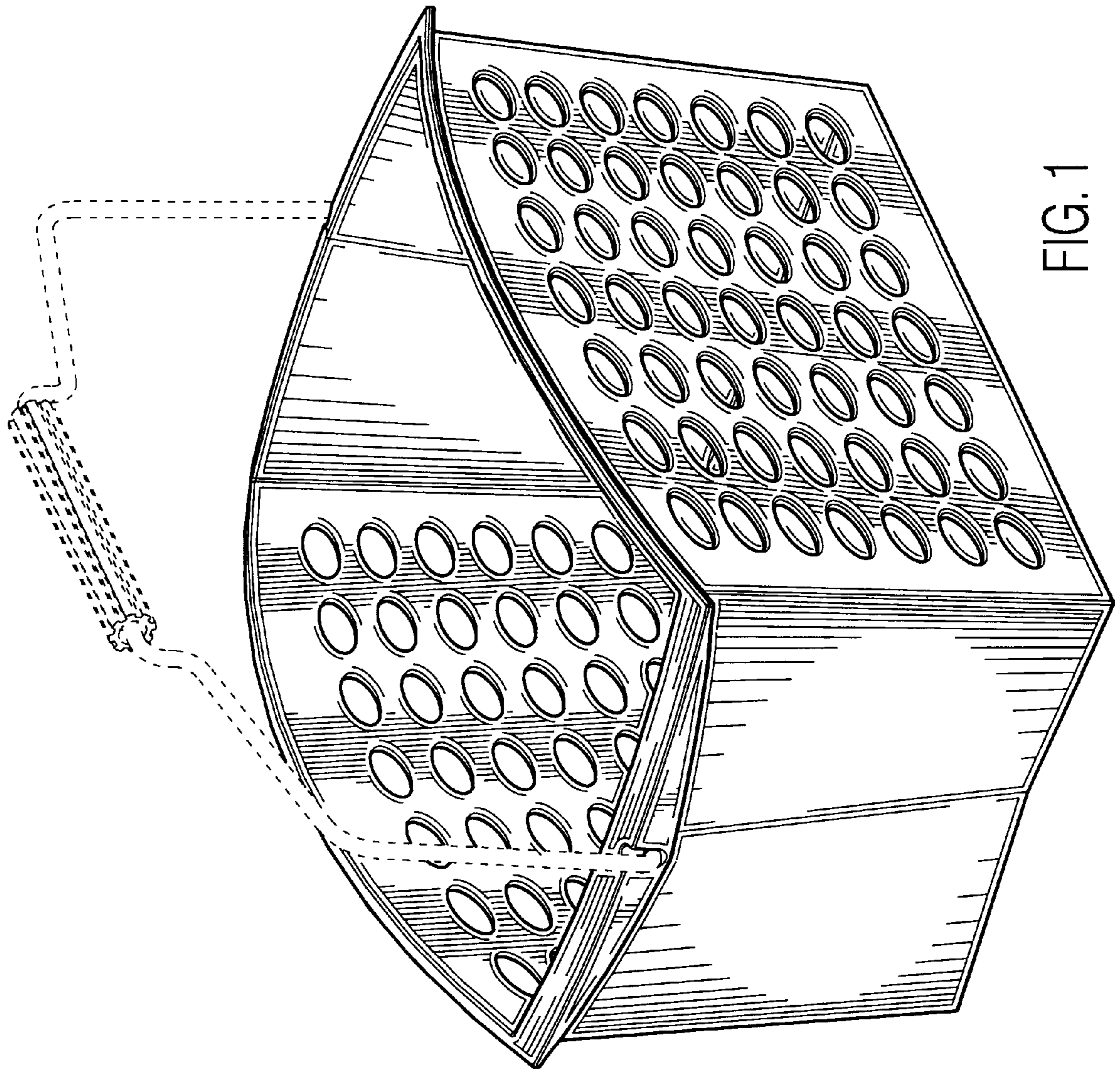


FIG. 1

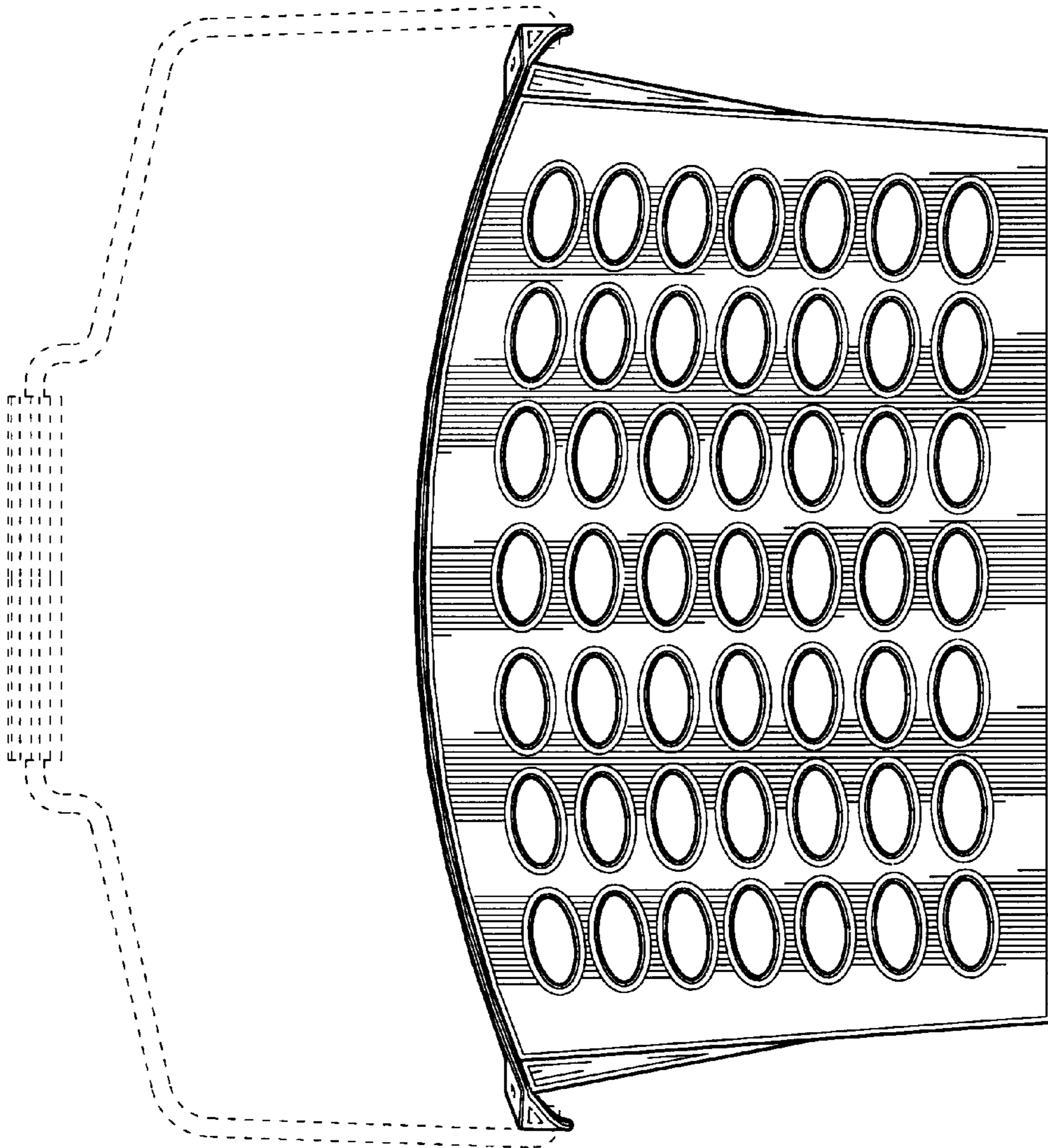


FIG. 2

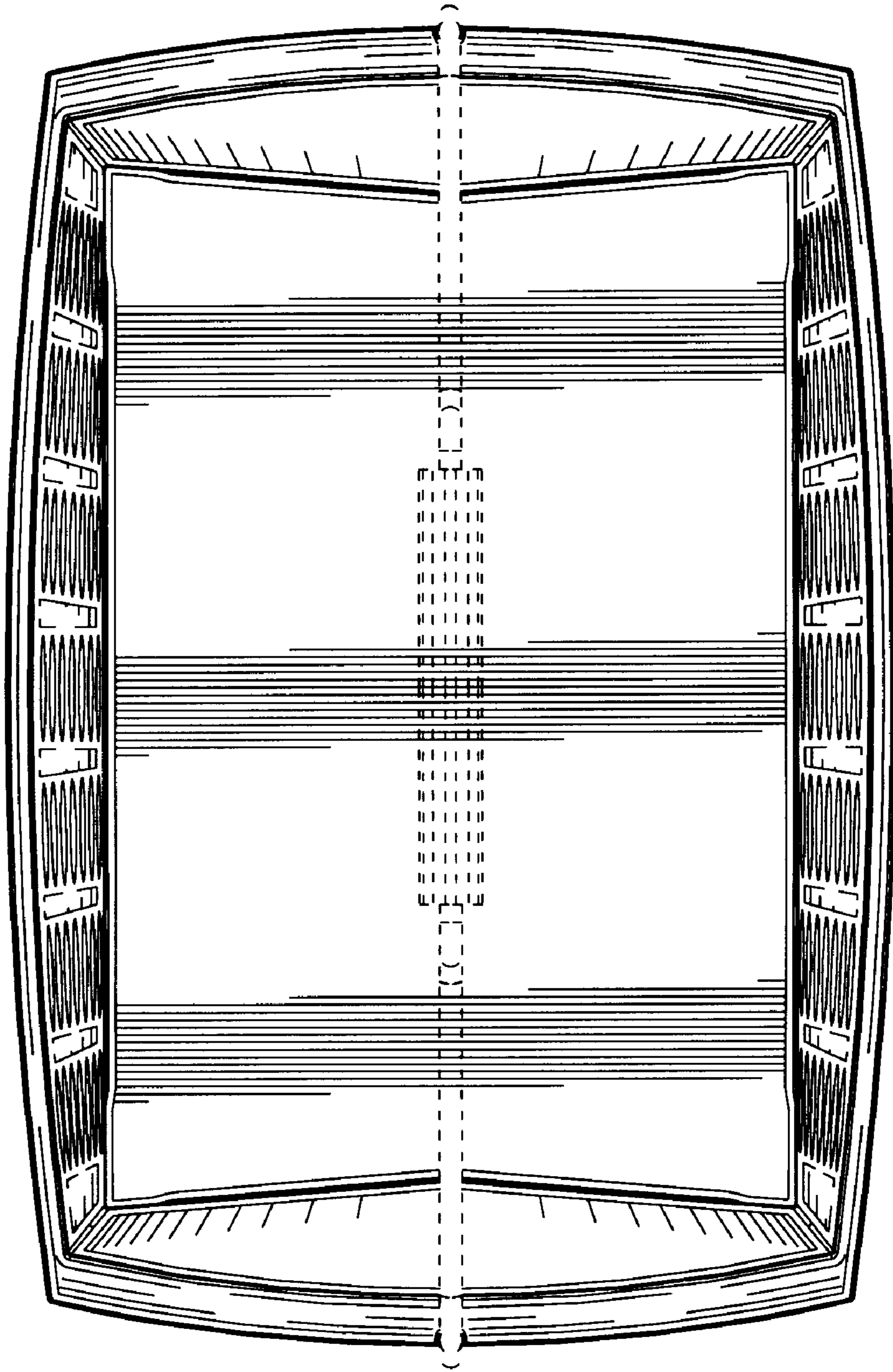


FIG. 3

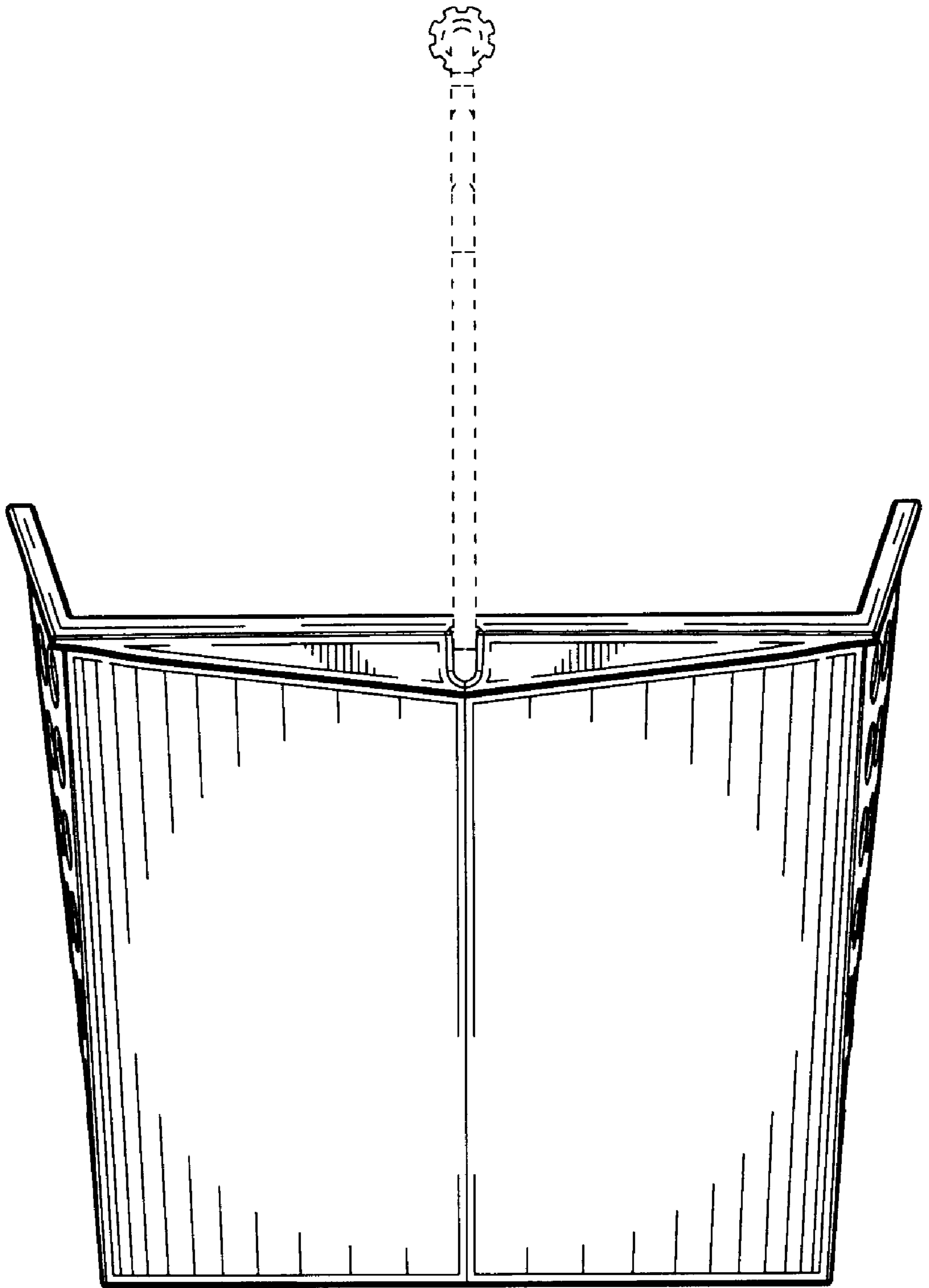


FIG. 4

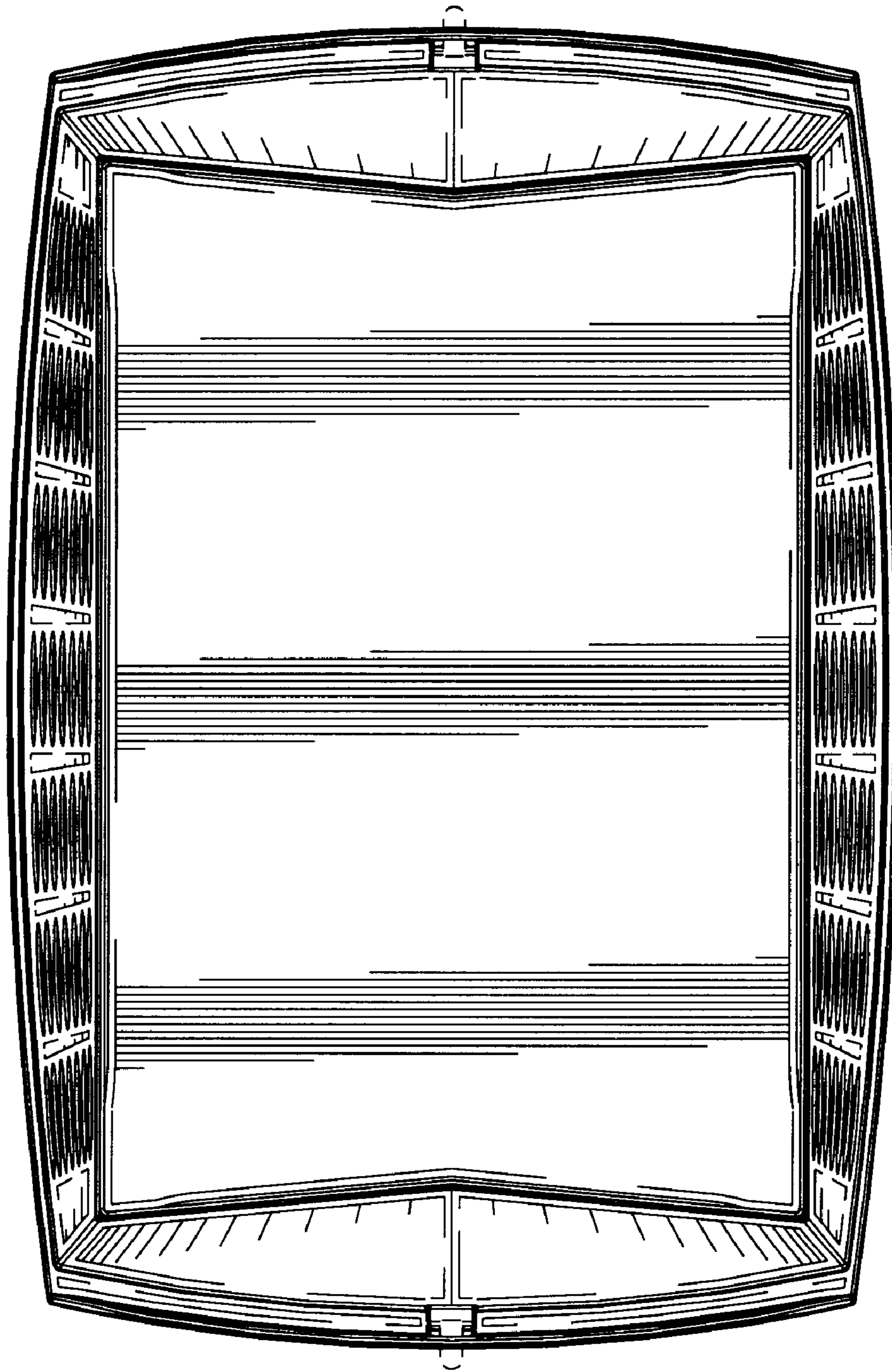


FIG. 5

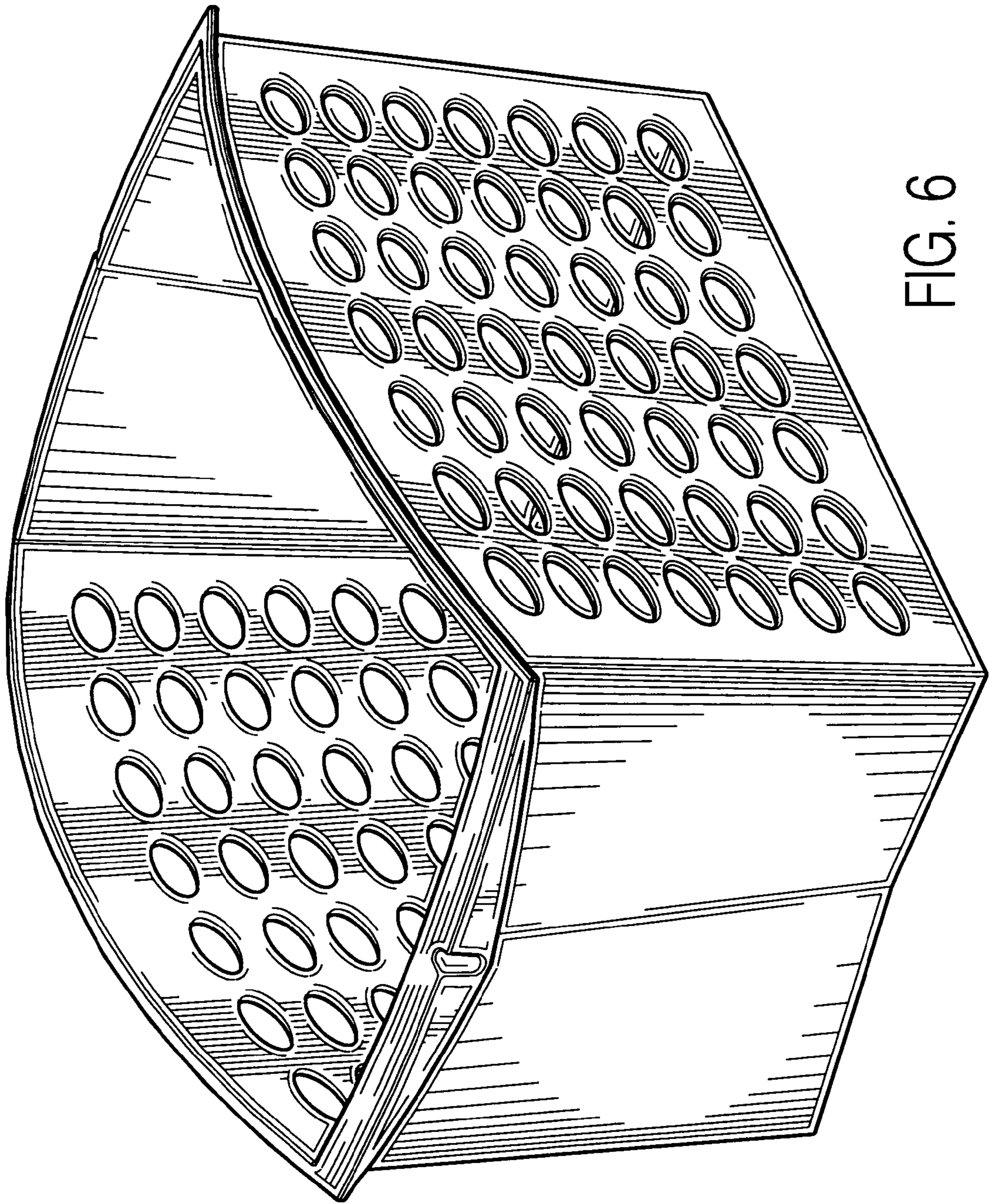


FIG. 6