



US00D421335S

# United States Patent [19] Linard

[11] **Patent Number: Des. 421,335**  
[45] **Date of Patent: \*\* Mar. 7, 2000**

[54] **CONTAINER**

5,193,683 3/1993 Key ..... 206/503  
5,310,071 5/1994 Rivlin et al. .... 220/23.4  
5,782,358 7/1998 Walker ..... 220/23.4

[75] Inventor: **Jean Marie Linard**, Le Houlme,  
France

[73] Assignee: **Sodiaal, Inc**, Paris, France

[\*\*] Term: **14 Years**

*Primary Examiner*—Louis S. Zarfes  
*Assistant Examiner*—Monica A. Weingart  
*Attorney, Agent, or Firm*—Baker & McKenzie

[21] Appl. No.: **29/088,538**

[22] Filed: **May 27, 1998**

[57] **CLAIM**

The ornamental design for a container, as shown and described.

[30] **Foreign Application Priority Data**

Nov. 28, 1997 [FR] France ..... 97 6947

[51] **LOC (6) Cl.** ..... **03-01**

[52] **U.S. Cl.** ..... **D3/314; D3/304**

[58] **Field of Search** ..... D3/304, 307, 312,  
D3/314; 206/503, 518; 220/23.4; D9/424,  
425

**DESCRIPTION**

FIG. 1 is a bottom perspective view of a container embodying my invention;  
FIG. 2 is a top perspective view thereof;  
FIG. 3 is a left side view thereof;  
FIG. 4 is a front view thereof;  
FIG. 5 is a top view thereof;  
FIG. 6 is a bottom view thereof; and,  
FIG. 7 is an alternate bottom perspective view thereof.  
The right side view is identical to the left side view. The rear view is identical to the front view.  
The broken line showing of the top and right side containers in FIG. 7 is for illustrative purposes only and forms no part of the claimed design.

[56] **References Cited**

**U.S. PATENT DOCUMENTS**

D. 220,471 4/1971 Frahm et al. .... D3/312  
4,287,997 9/1981 Rolfe et al. .... 220/23.4  
4,475,660 10/1984 Cain ..... 220/23.4  
4,919,296 4/1990 Kirsh et al. .... 220/23.4

**1 Claim, 2 Drawing Sheets**

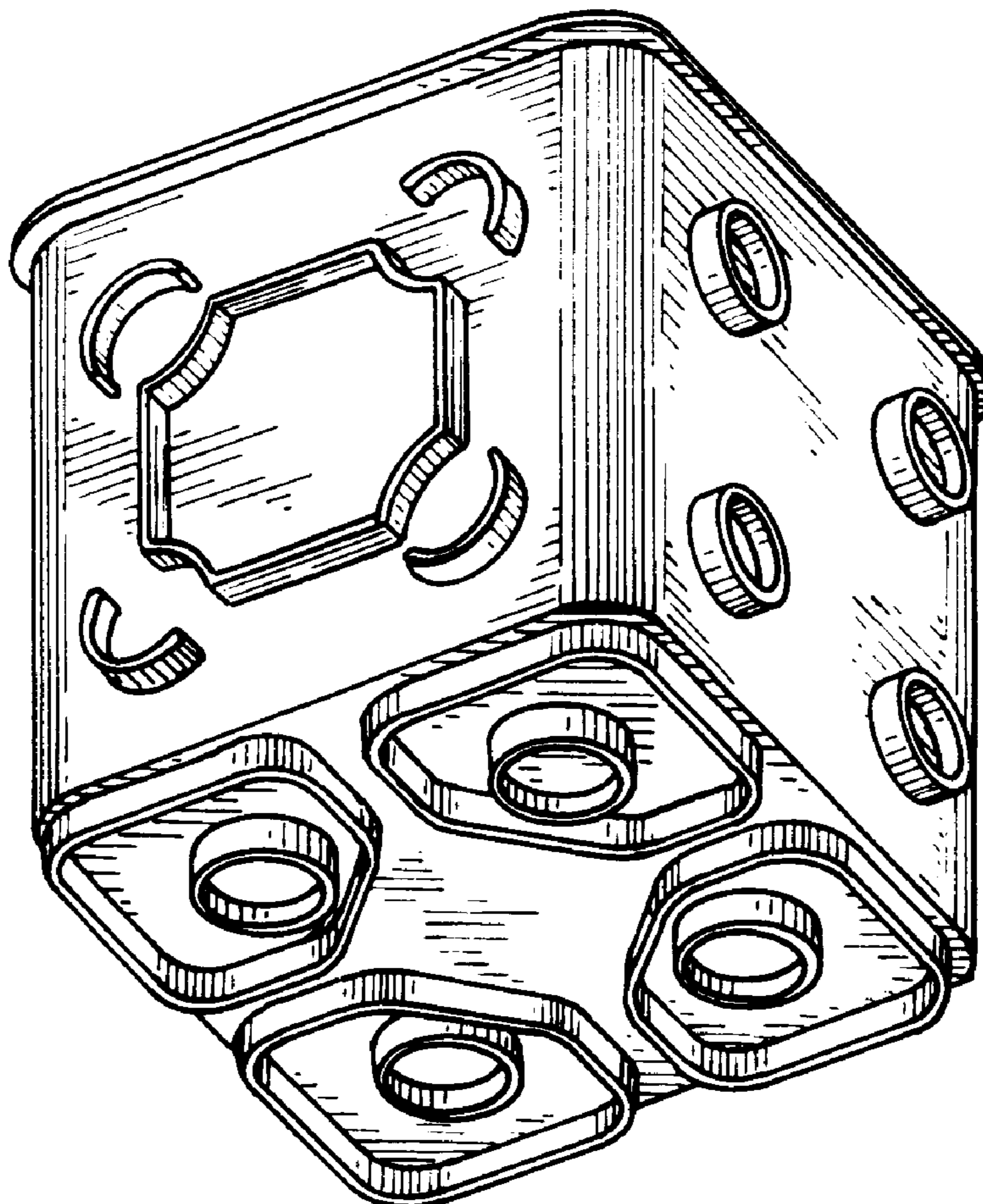


Fig 1

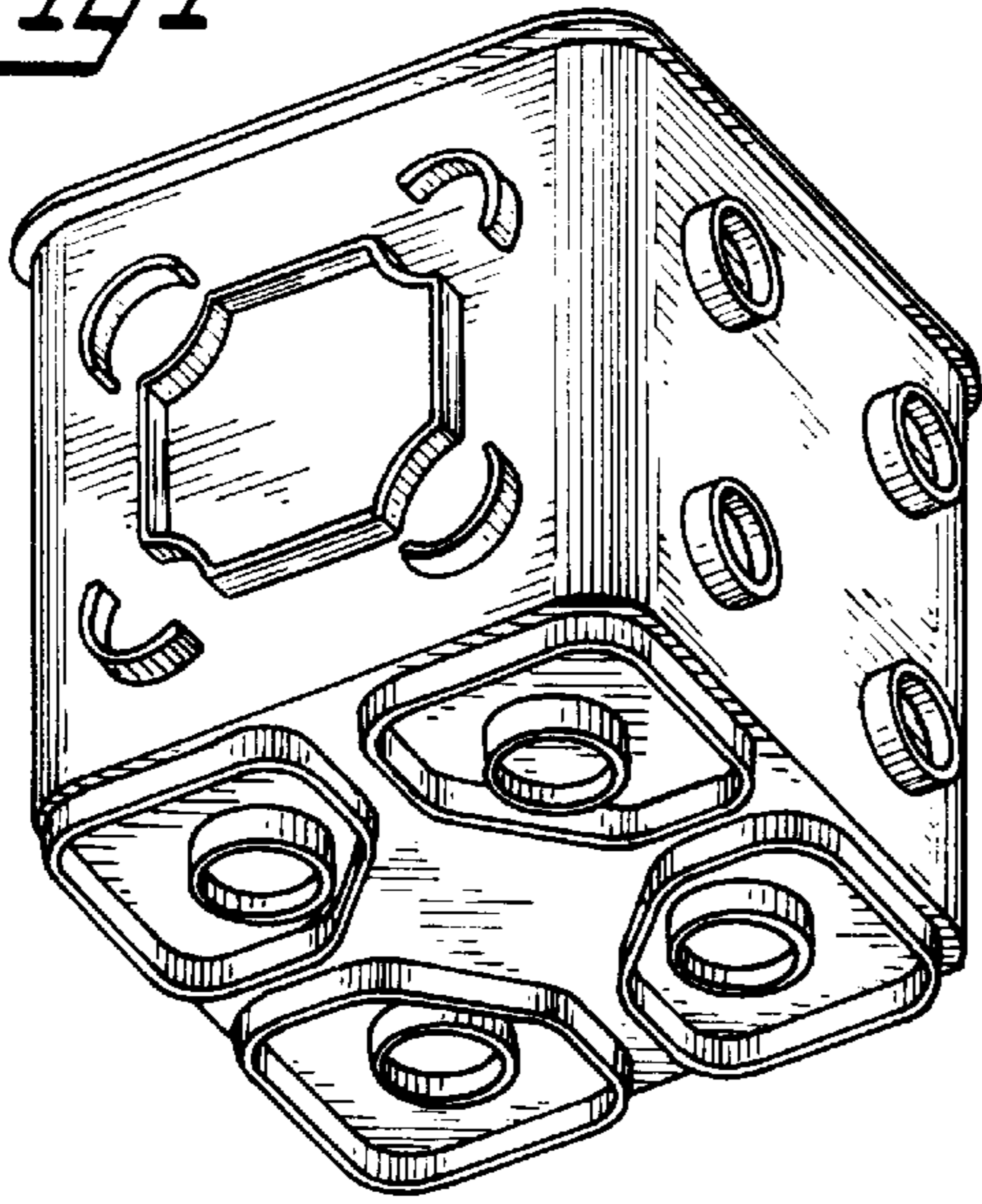


Fig 2

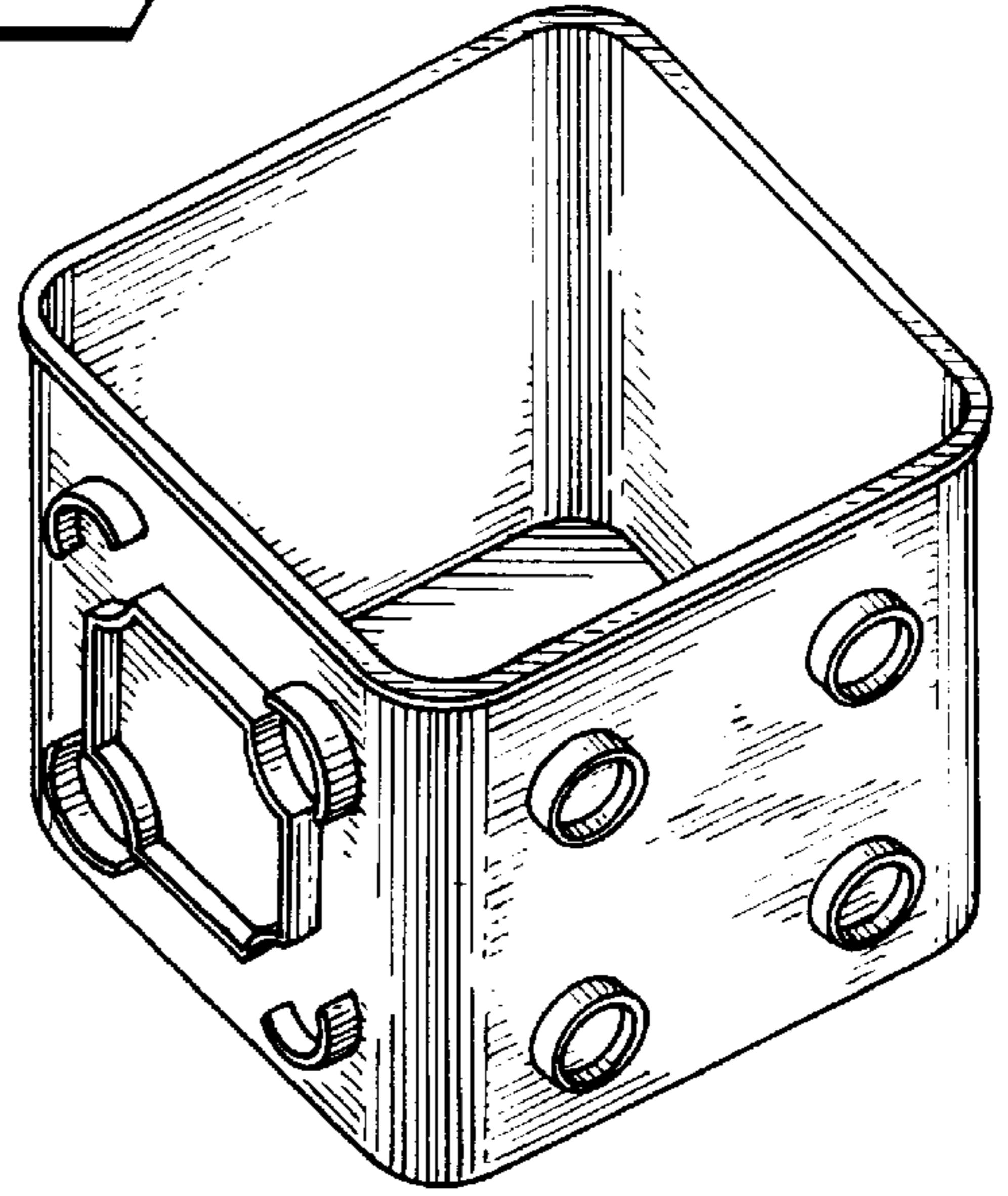
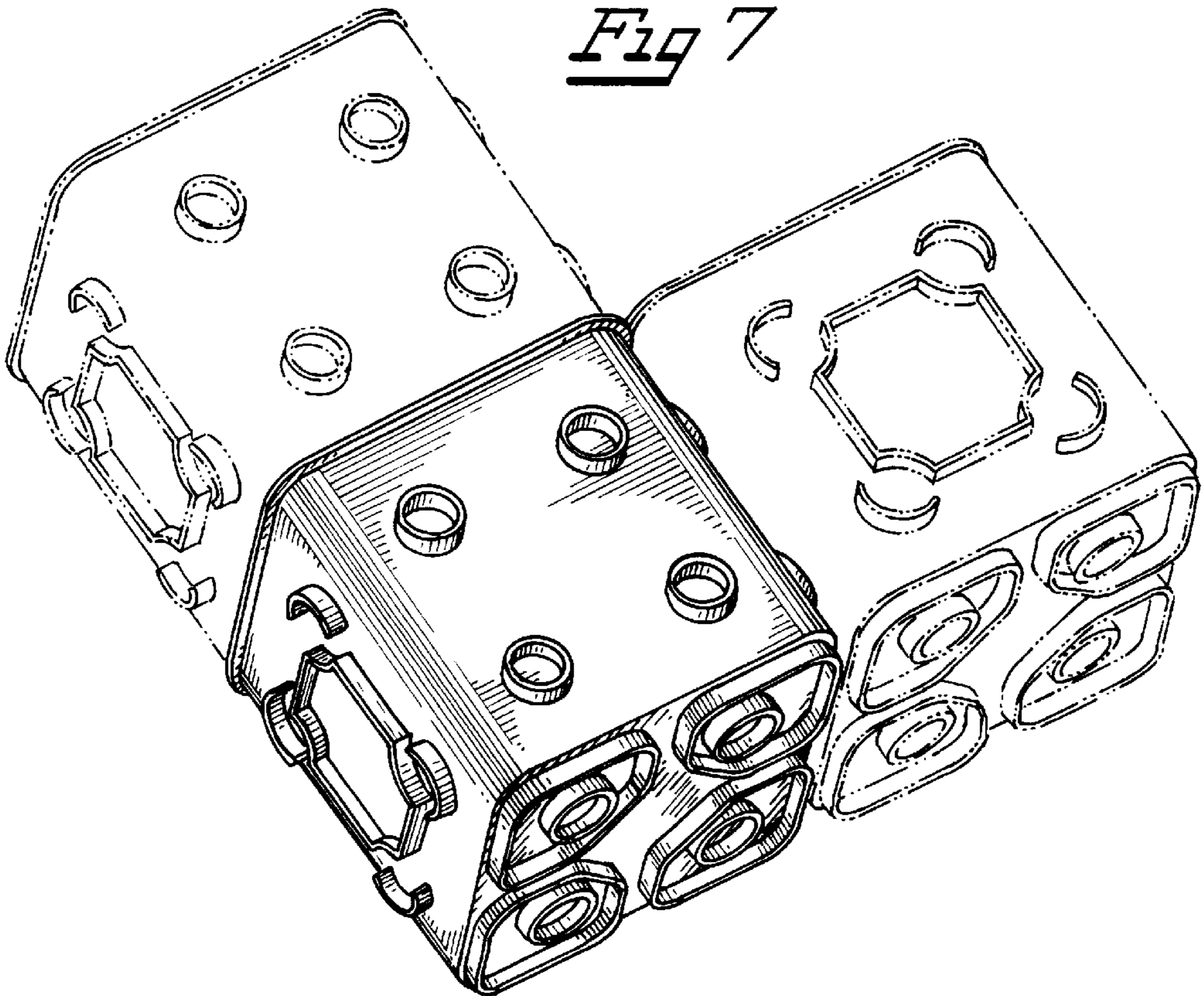
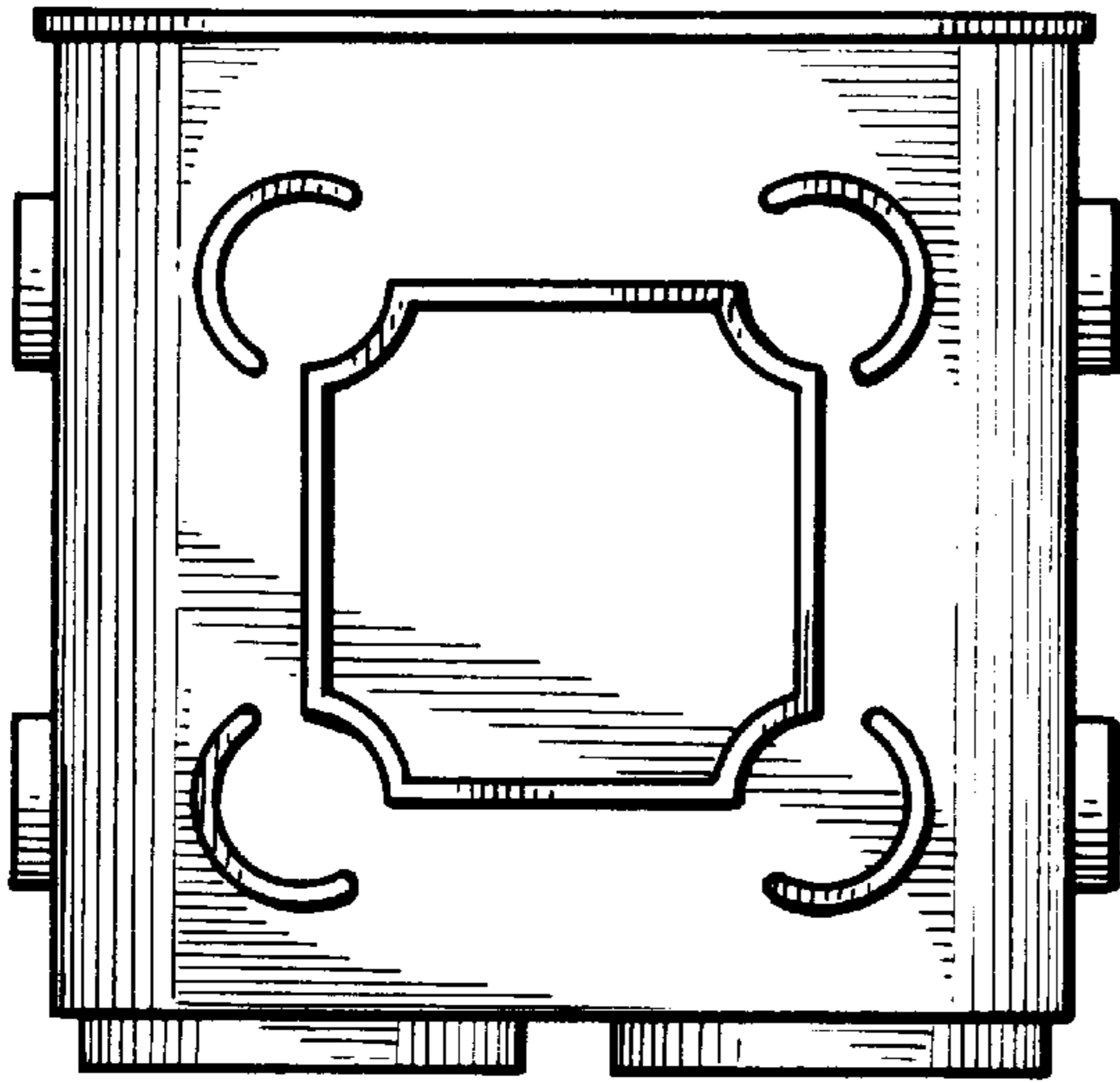


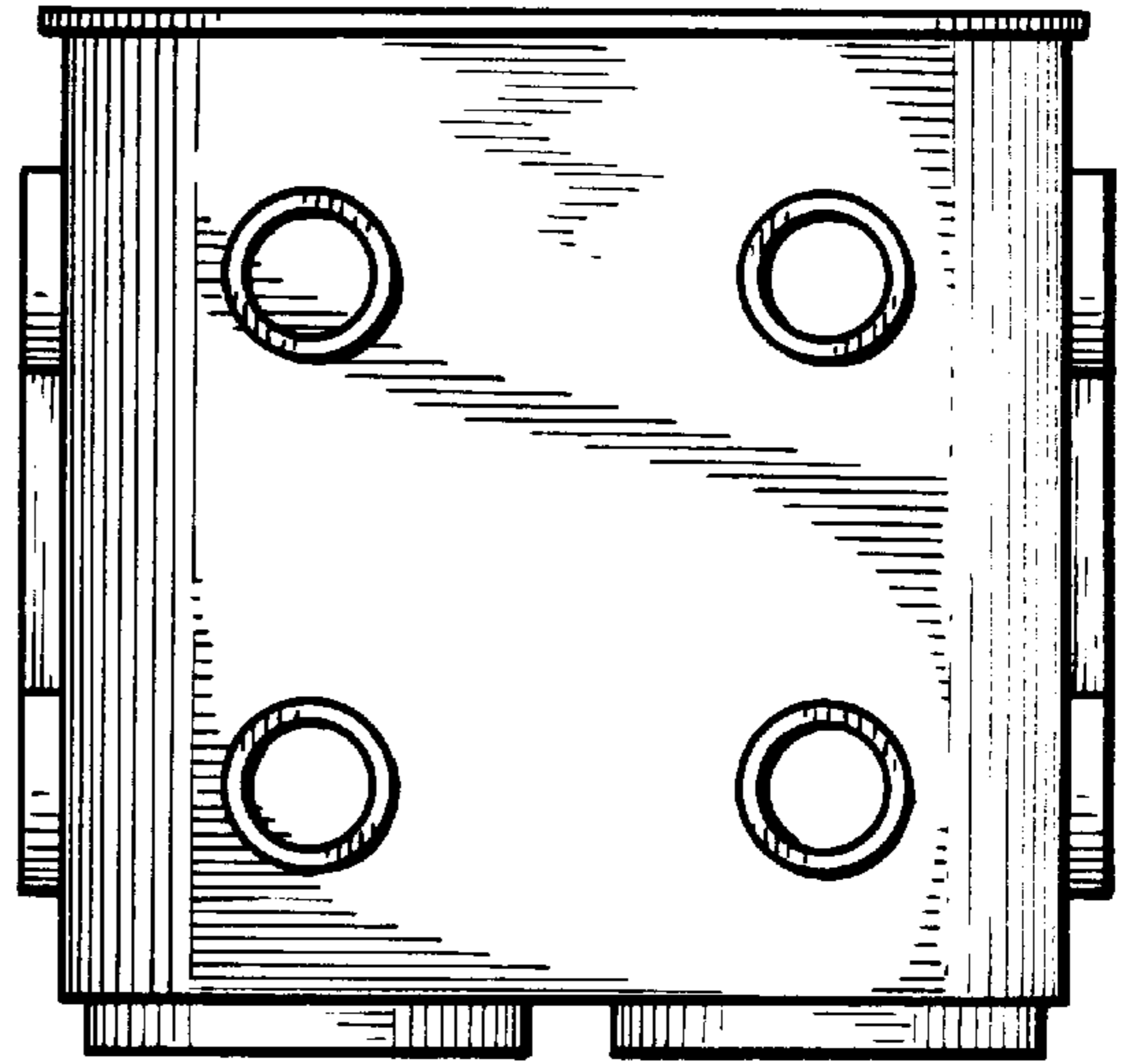
Fig 7



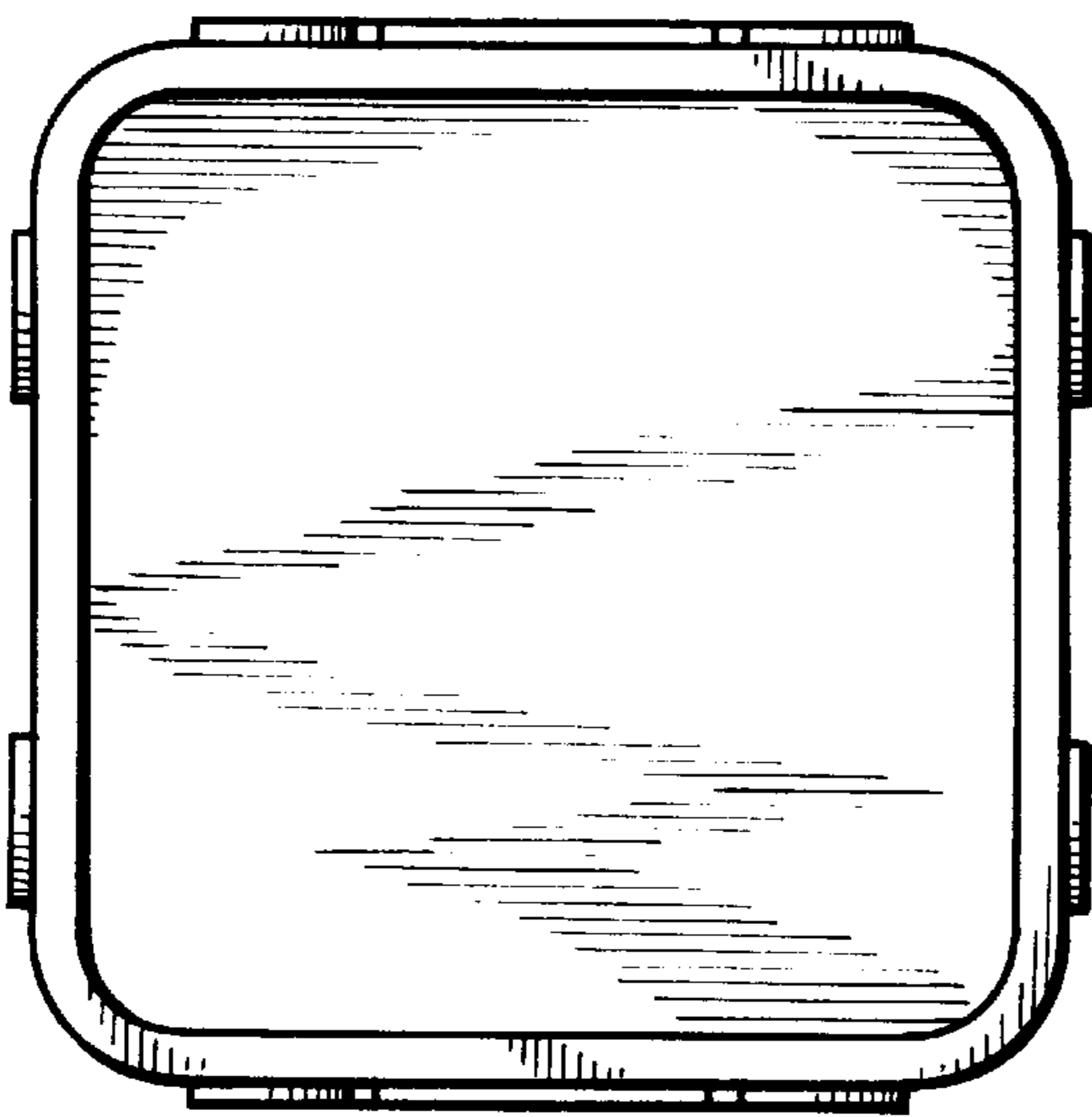
*Fig 3*



*Fig 4*



*Fig 5*



*Fig 6*

