



US00D421333S

# United States Patent [19]

Lee

[11] Patent Number: **Des. 421,333**

[45] Date of Patent: **\*\* Mar. 7, 2000**

[54] BRIEFCASE

[76] Inventor: **Li-Hwa Lee**, 13th Fl., No. 94, Sec. 1, Hsin-Tai Wu Rd., Hsichih Chen, Taipei Hsien, Taiwan

[\*\*] Term: **14 Years**

[21] Appl. No.: **29/103,600**

[22] Filed: **Apr. 16, 1999**

[51] LOC (6) Cl. .... **03-01**

[52] U.S. Cl. .... **D3/276; D3/900**

[58] Field of Search ..... D3/276, 273, 291, D3/294, 900, 281, 282; 190/110, 111, 112, 113, 114, 900

[56] **References Cited**

**U.S. PATENT DOCUMENTS**

D. 272,776	2/1984	Pelavin et al. ....	D3/900
D. 278,861	5/1985	Hasuike .....	D3/900
D. 291,624	9/1987	Bialo .....	D3/900
D. 300,988	5/1989	Melk .....	D3/900
D. 303,455	9/1989	Uchiyama .....	D3/900

D. 319,731	9/1991	Teynolds, Jr. et al. ....	D3/900
D. 325,819	5/1992	Lee .....	D3/900
D. 329,134	9/1992	Tokuda et al. ....	D3/900
D. 329,138	9/1992	Hsieh .....	D3/900
D. 331,663	12/1992	Roncato .....	D3/900
D. 353,713	12/1994	Kumashiro .....	D3/900
D. 401,408	11/1998	Sun et al. ....	D3/900

*Primary Examiner*—Philip S. Hyder  
*Attorney, Agent, or Firm*—Thomas, Kayden, Horstemeyer & Risley, L.L.P.

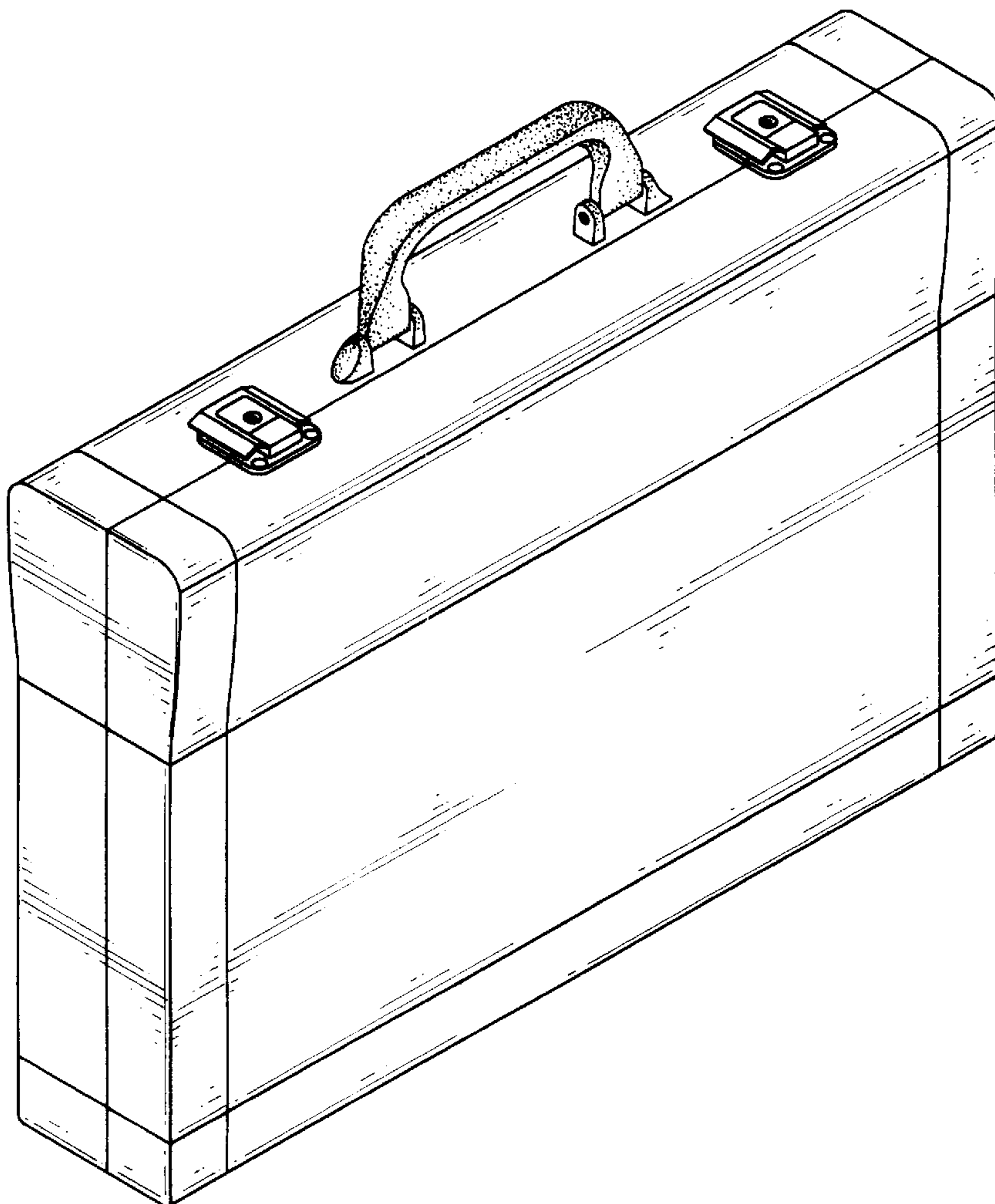
[57] **CLAIM**

The ornamental design for a briefcase, as shown.

**DESCRIPTION**

FIG. 1 is a perspective view of a briefcase showing my new design;  
FIG. 2 is a front view thereof;  
FIG. 3 is a rear view thereof;  
FIG. 4 is a left side view thereof;  
FIG. 5 is a right side view thereof;  
FIG. 6 is a top view thereof; and,  
FIG. 7 is a bottom view thereof.

**1 Claim, 4 Drawing Sheets**



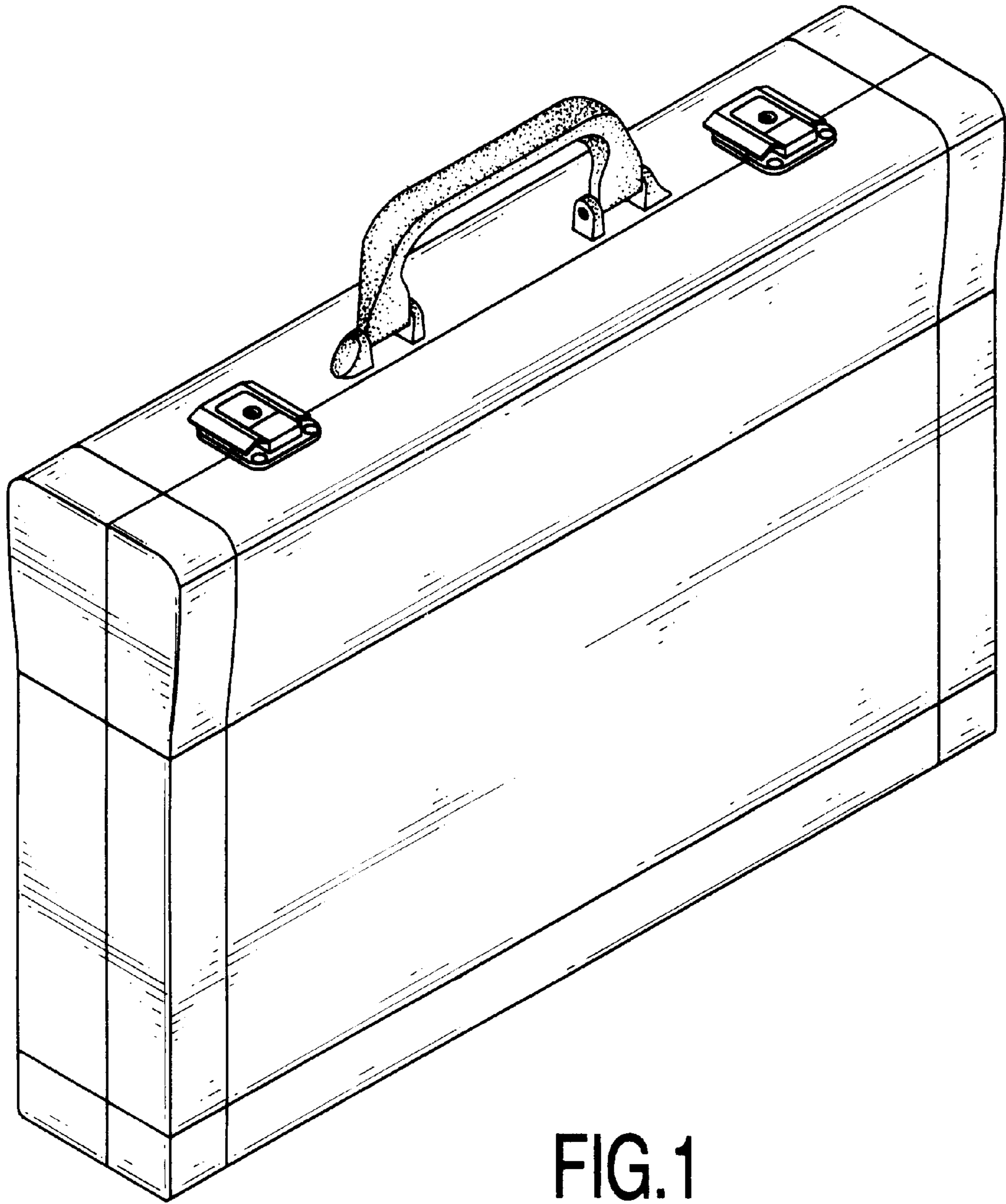


FIG.1

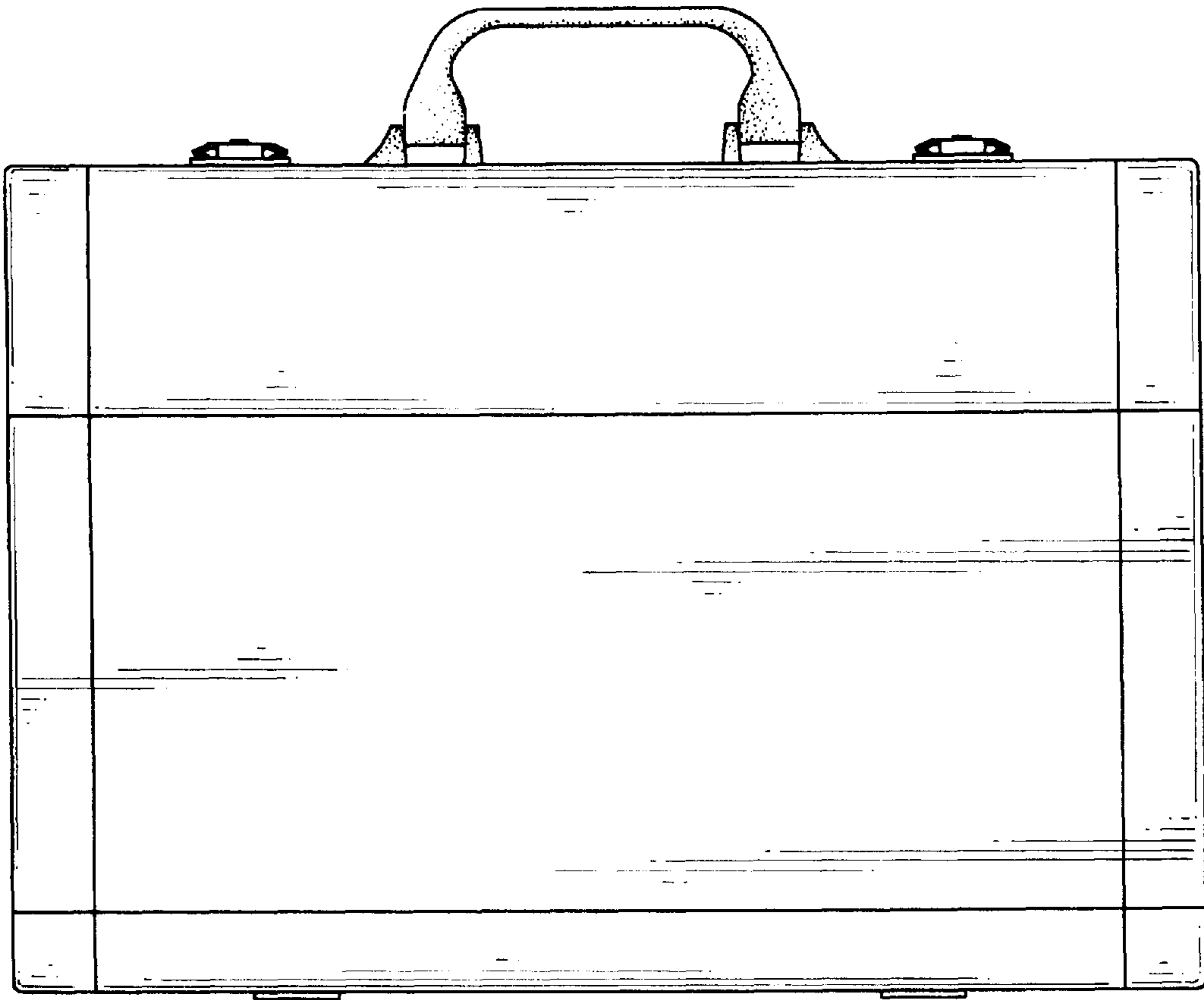


FIG.2

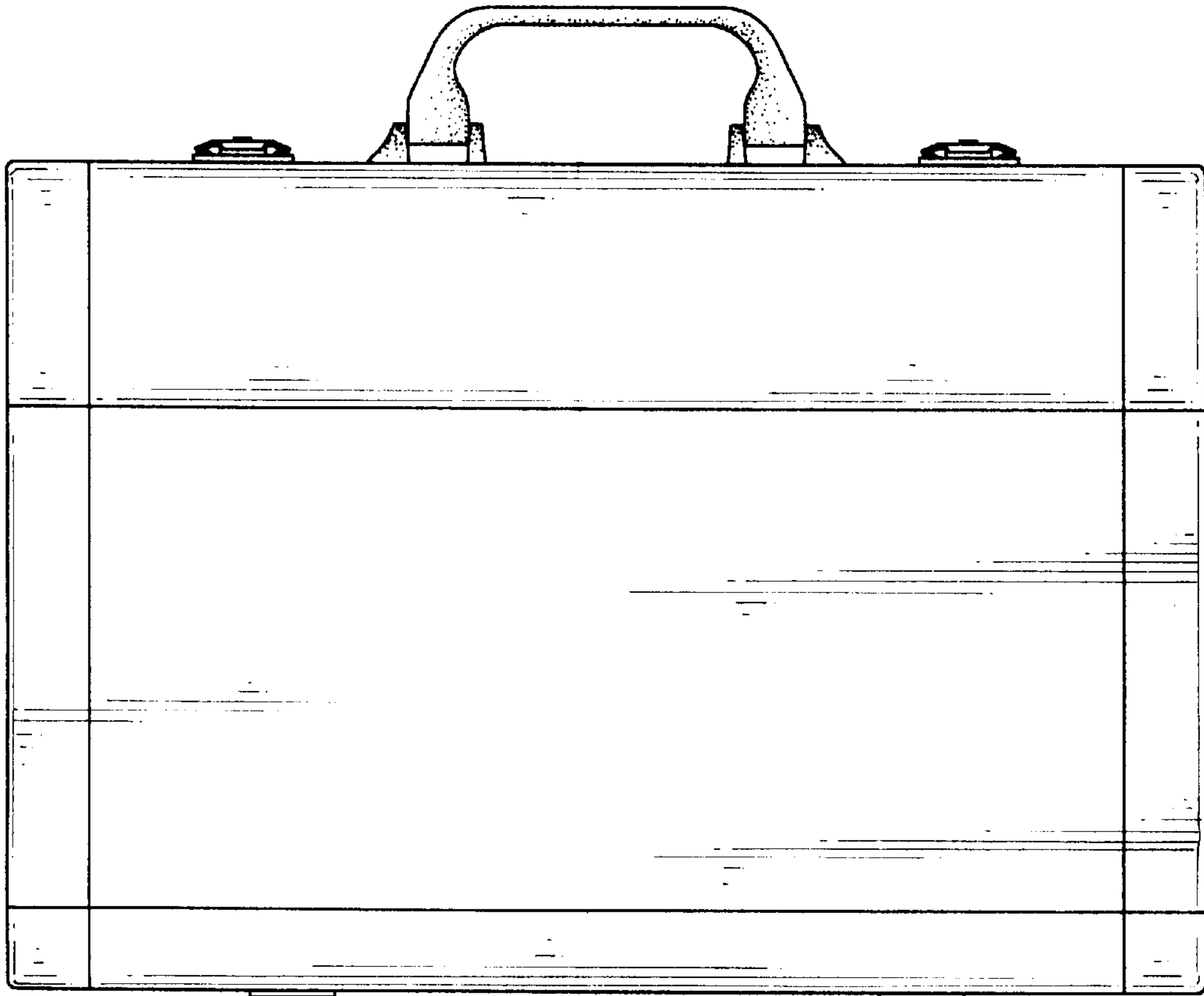


FIG.3

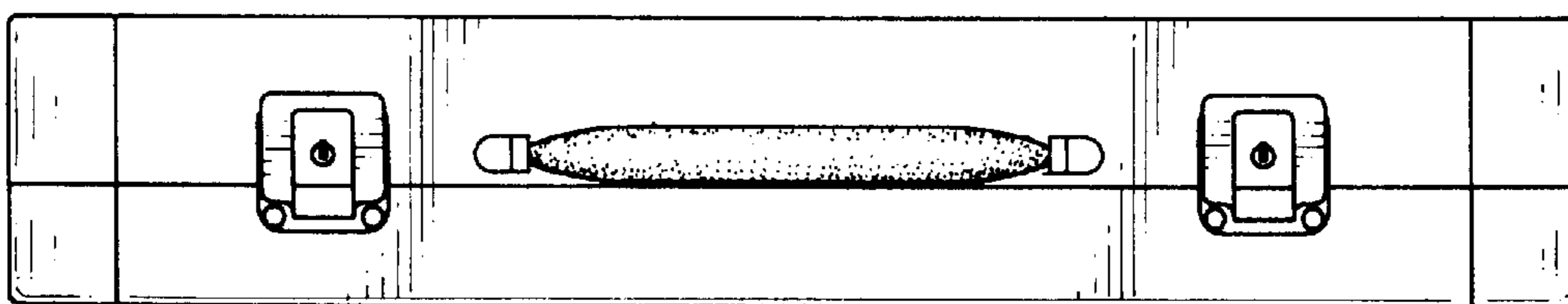


FIG. 6

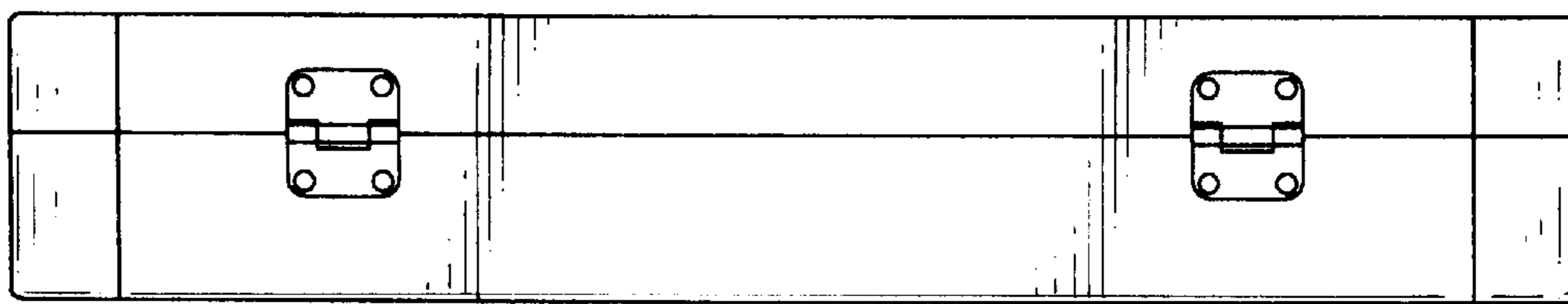


FIG. 7

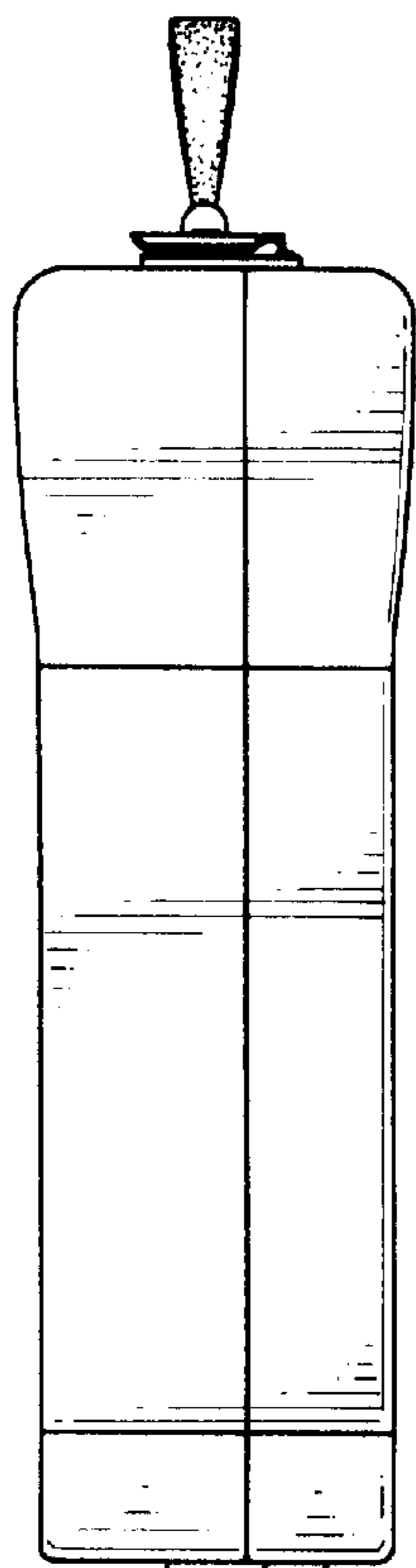


FIG. 4

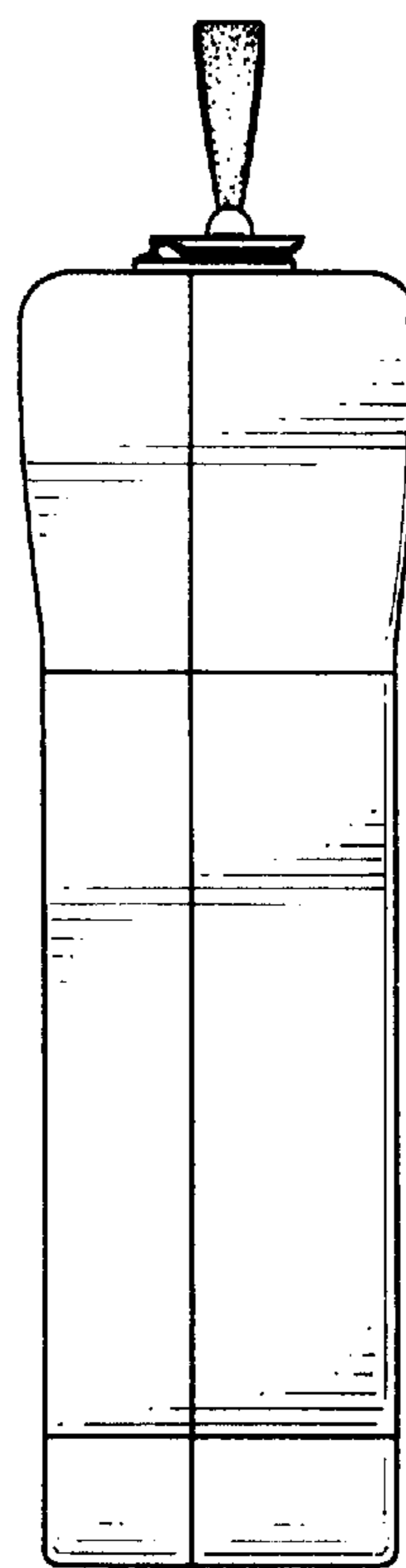


FIG. 5