



US00D421318S

United States Patent [19]
O'Brien et al.

[11] **Patent Number: Des. 421,318**
[45] **Date of Patent: ** Feb. 29, 2000**

[54] **CLIP FOR MULTI-WIRE ICICLE LIGHT**

[75] Inventors: **Frank Lee O'Brien**, Westminster;
Charles G. Standen, Idaho Springs,
both of Colo.

[73] Assignee: **Evergreen Solutions, Inc.**, Idaho
Springs, Colo.

[**] Term: **14 Years**

[21] Appl. No.: **29/101,122**

[22] Filed: **Feb. 23, 1999**

[51] **LOC (6) Cl.** **26-99**

[52] **U.S. Cl.** **D26/138; D8/395**

[58] **Field of Search** **D8/395; 24/16 PB,**
24/115 R, 334, 511, 343, 545, 16 R; D26/138;
248/68.1, 74.1-74.4; 174/153 G, 152 G,
191, 197

[56] **References Cited**

U.S. PATENT DOCUMENTS

- D. 275,174 8/1984 Rolli .
- D. 295,724 5/1988 Shioda .

- D. 375,890 11/1996 Takai .
- D. 376,973 12/1996 Brown .
- D. 394,801 6/1998 Blocher .
- D. 395,815 7/1998 Walters et al. D8/354
- D. 401,005 11/1998 Ludbrook et al. D26/138
- 1,982,501 11/1934 Douglas .
- 2,109,517 3/1938 Xenis .
- 5,027,478 7/1991 Suhr .

Primary Examiner—Holly Baynham
Attorney, Agent, or Firm—Donald W. Margolis

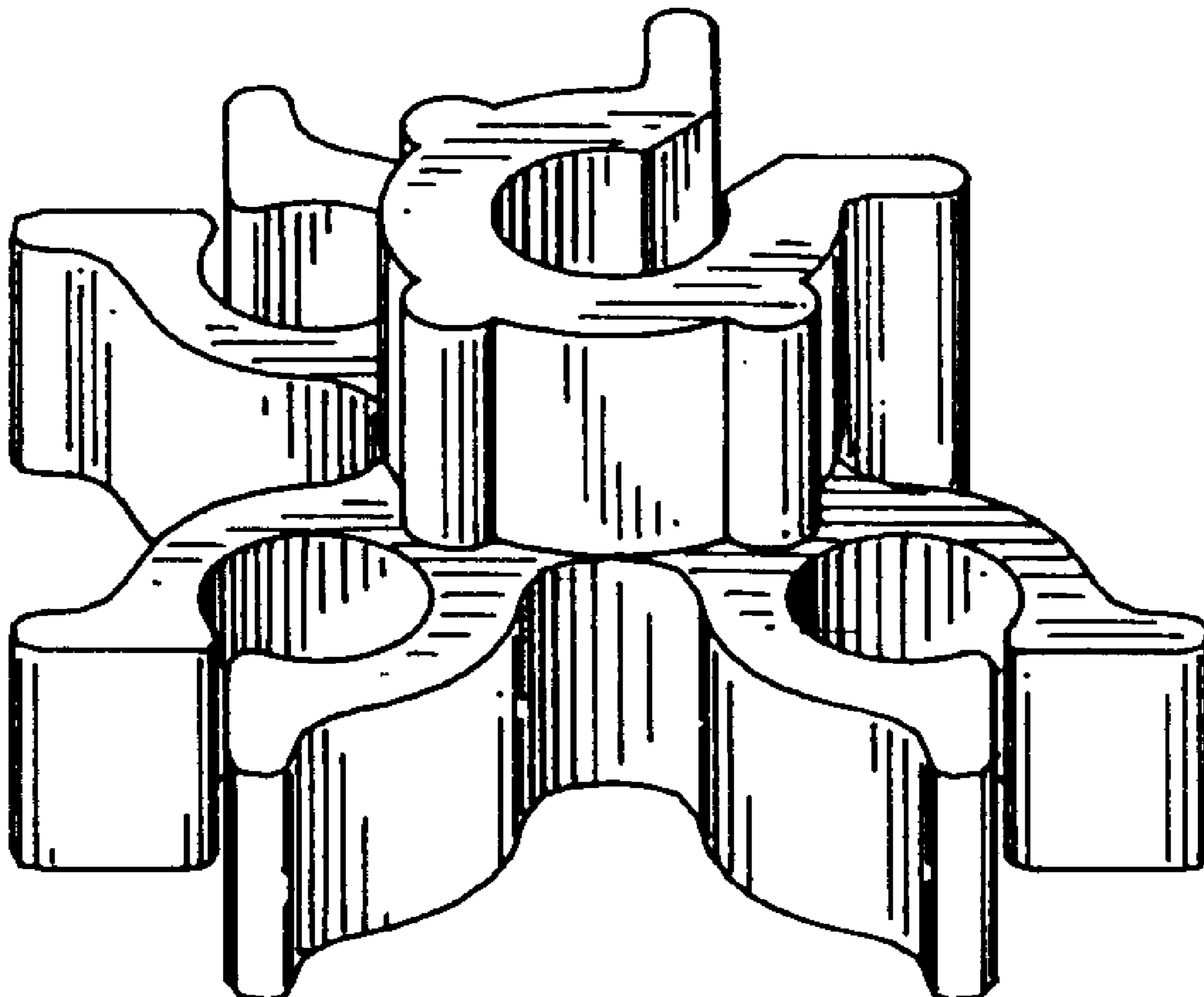
[57] **CLAIM**

The ornamental design for a clip for multi-wire icicle light, as shown and described.

DESCRIPTION

FIG. 1 is a perspective view of the clip for multi-wire icicle light showing my new design;
FIG. 2 is a front elevation view thereof;
FIG. 3 is a rear elevation view thereof;
FIG. 4 is a right side elevation view thereof;
FIG. 5 is a left side elevational view thereof;
FIG. 6 is a top plan view thereof; and,
FIG. 7 is a bottom plan view thereof.

1 Claim, 1 Drawing Sheet



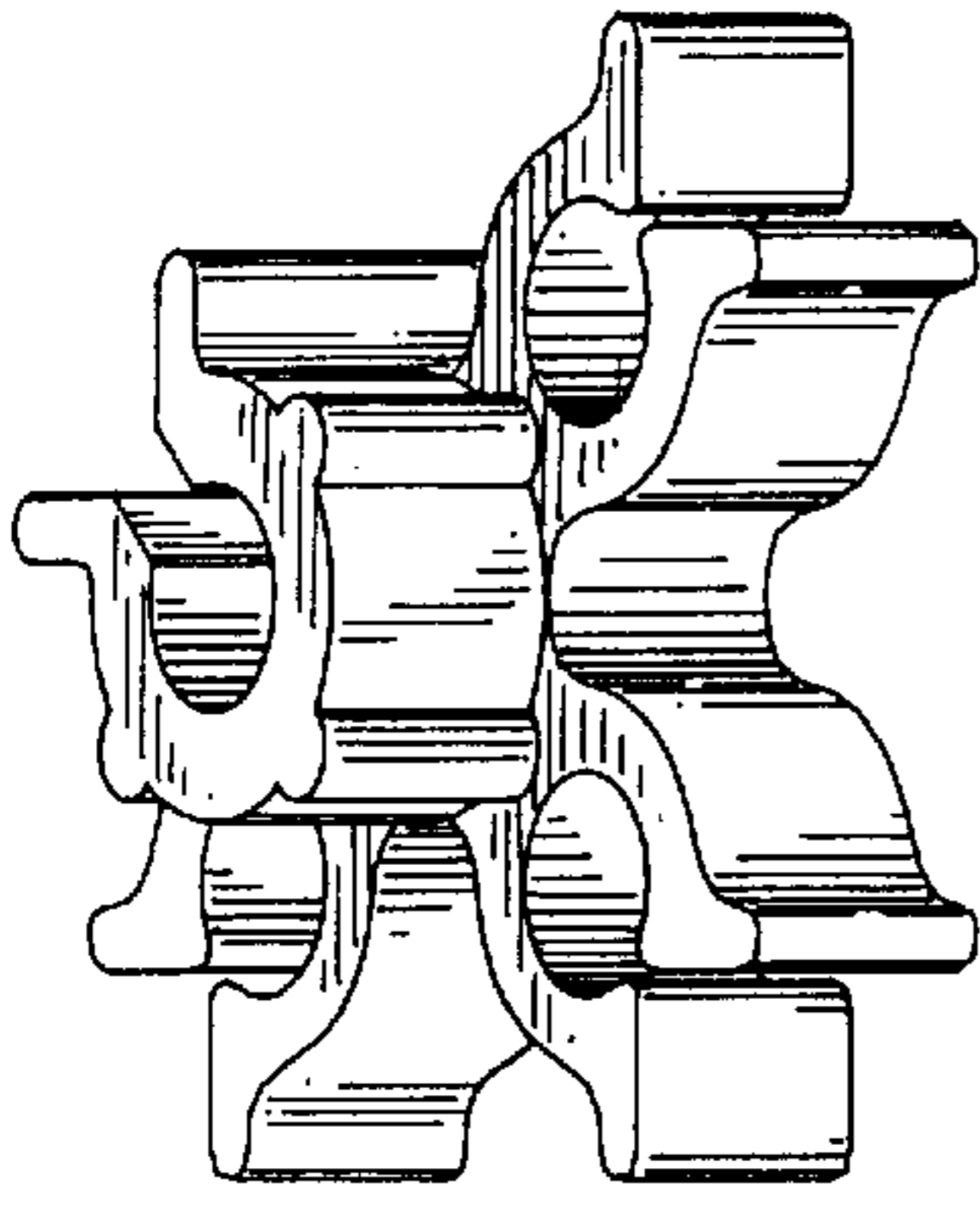


FIG. 1

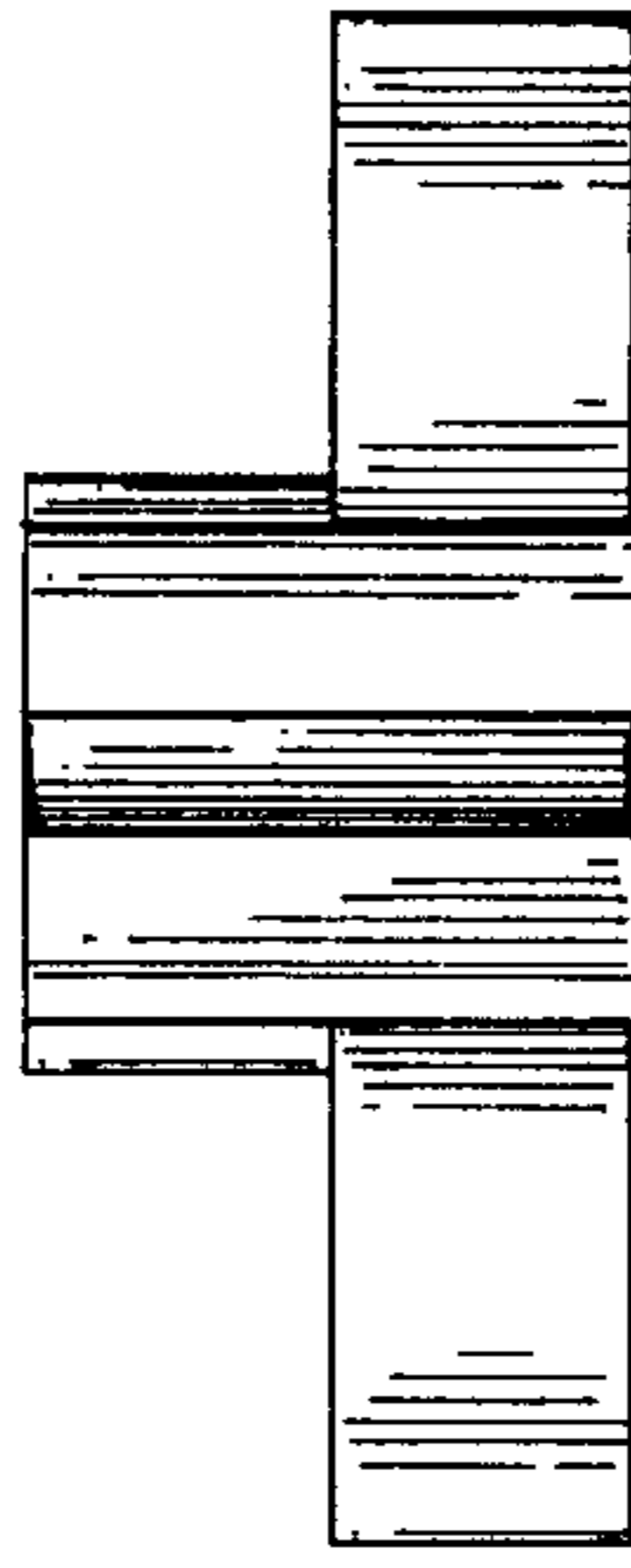


FIG. 3

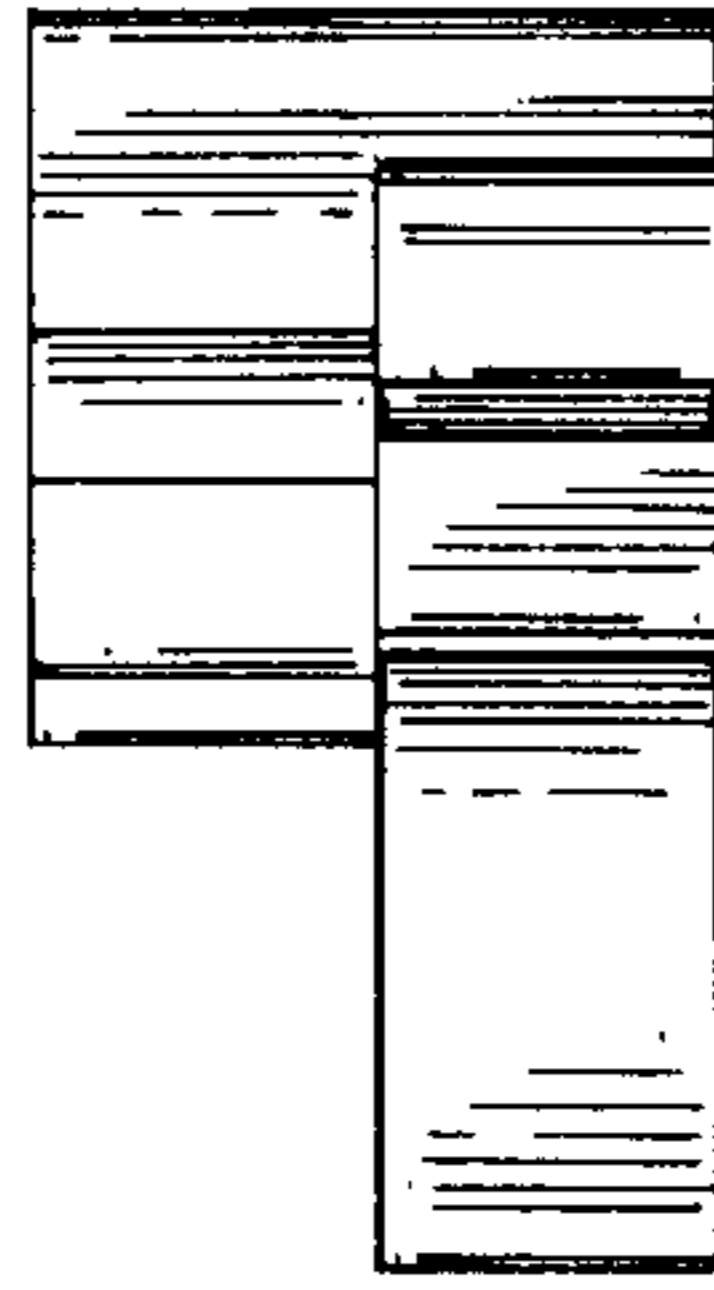


FIG. 4

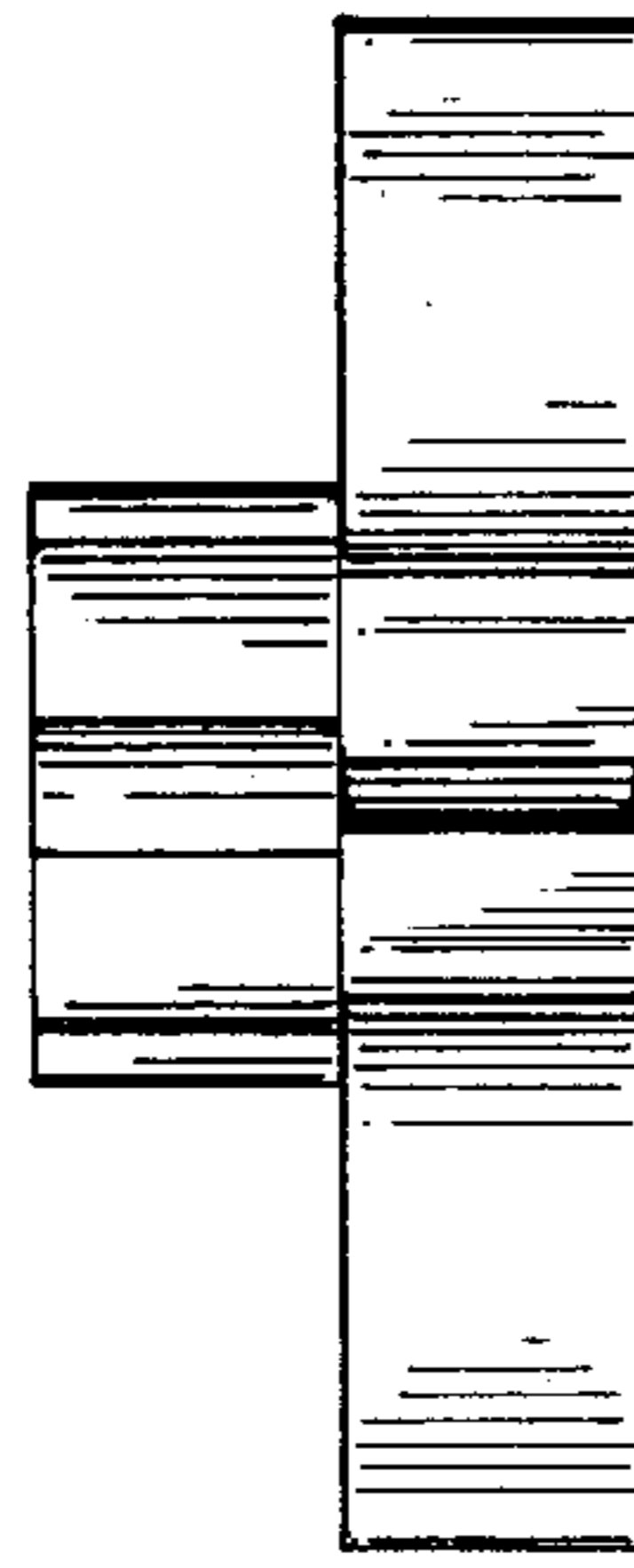


FIG. 2

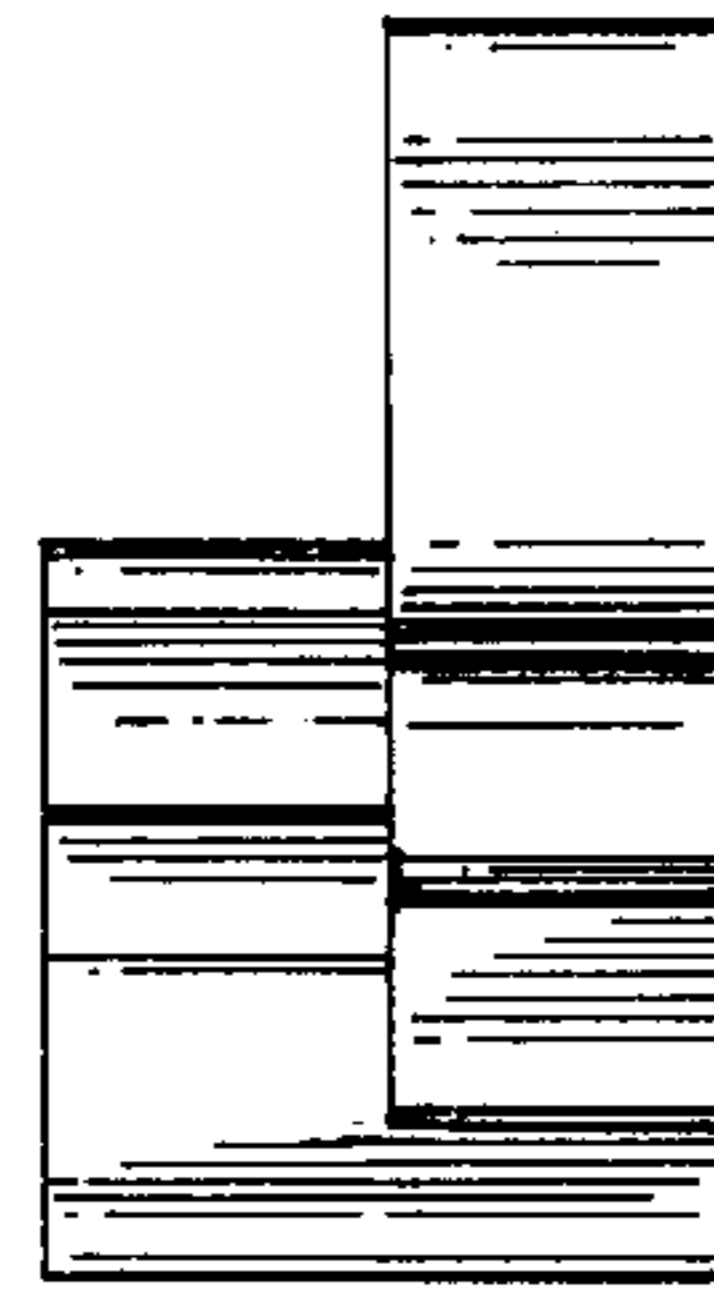


FIG. 5

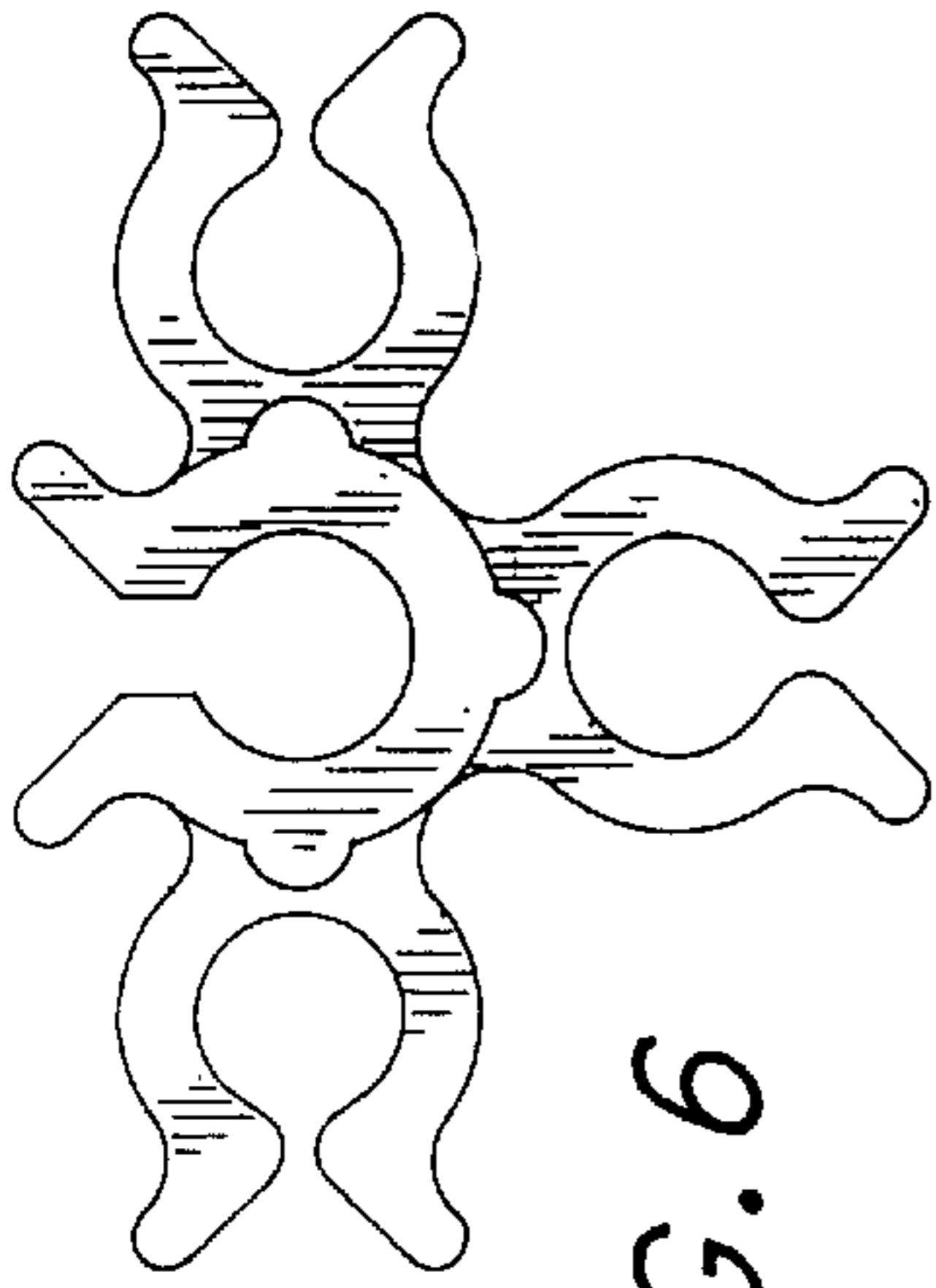


FIG. 6

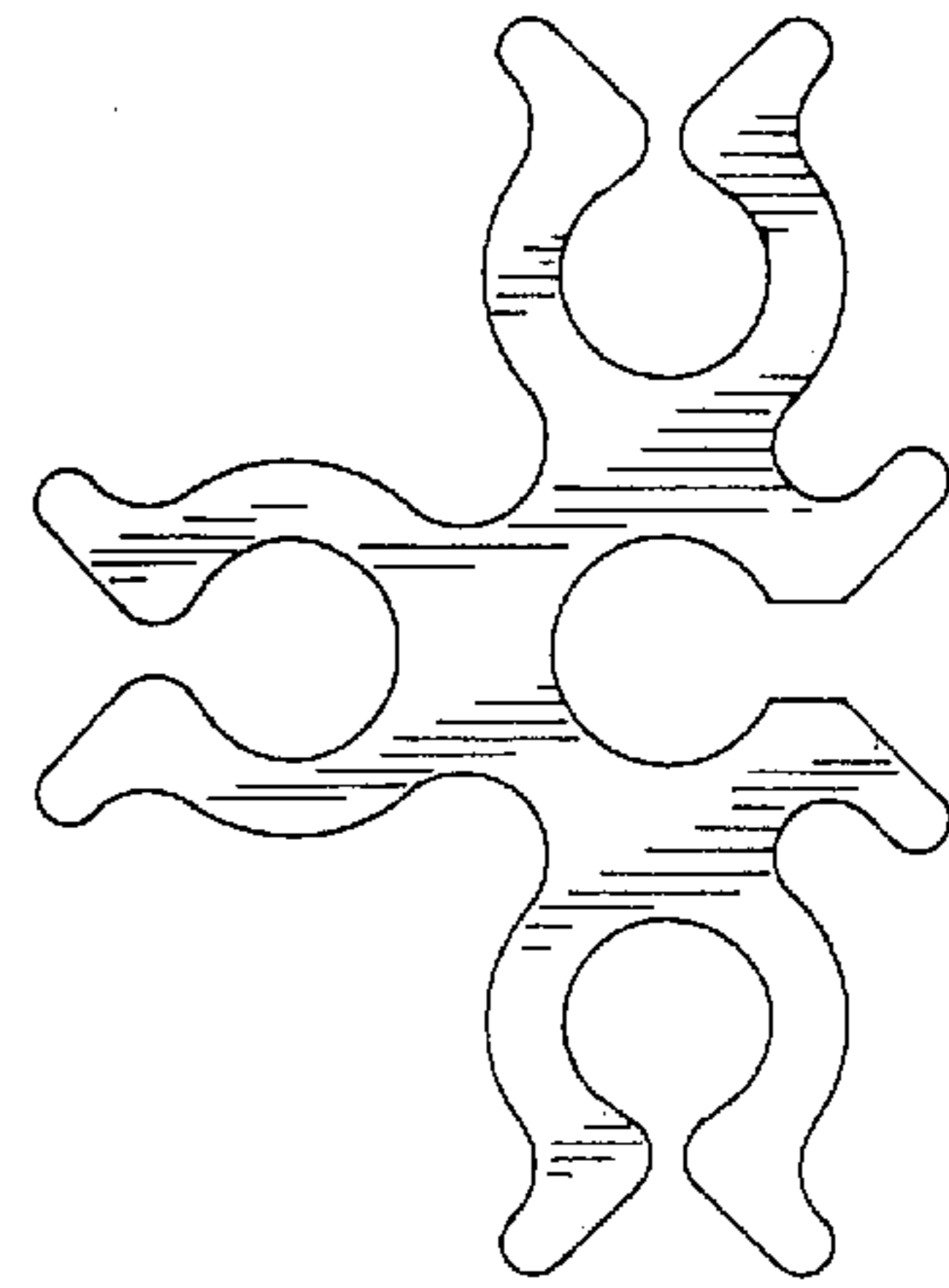


FIG. 7