



US00D421316S

United States Patent [19]

[11] **Patent Number: Des. 421,316**

Fiorato

[45] **Date of Patent: ** Feb. 29, 2000**

[54] **LUMINAIRE**

OTHER PUBLICATIONS

[76] Inventor: **Roberto Fiorato**, Viale Del Lavoro,
9/11, 37030 Colognola Ai Colli, Italy,
37030

Hinkley Landscape Lighting catalog, p. 9, recessed light fixtures, top, left and right, exterior, 1992.

[**] Term: **14 Years**

Primary Examiner—Susan J. Lucas

[21] Appl. No.: **29/073,357**

[57] CLAIM

[22] Filed: **Jul. 7, 1997**

The ornamental design for a luminaire, as shown.

[51] **LOC (6) Cl.** **26-05**

DESCRIPTION

[52] **U.S. Cl.** **D26/74; D26/67**

FIG. 1 is a front elevation view of a luminaire showing my new design;

[58] **Field of Search** D26/67, 68, 74,

FIG. 2 is a top plan view thereof;

D26/72, 85; 362/147, 153, 153.1, 431;

FIG. 3 is a bottom plan view thereof;

52/159.1

FIG. 4 is a side elevation view thereof;

[56] References Cited

FIG. 5 is a front elevation view thereof;

U.S. PATENT DOCUMENTS

FIG. 6 is a top, front perspective view thereof; and,

D. 306,767 3/1990 Ziaylek, Jr. D26/24 X

FIG. 7 is a bottom, rear perspective view thereof.

D. 343,021 1/1994 Compton D26/74

1 Claim, 7 Drawing Sheets

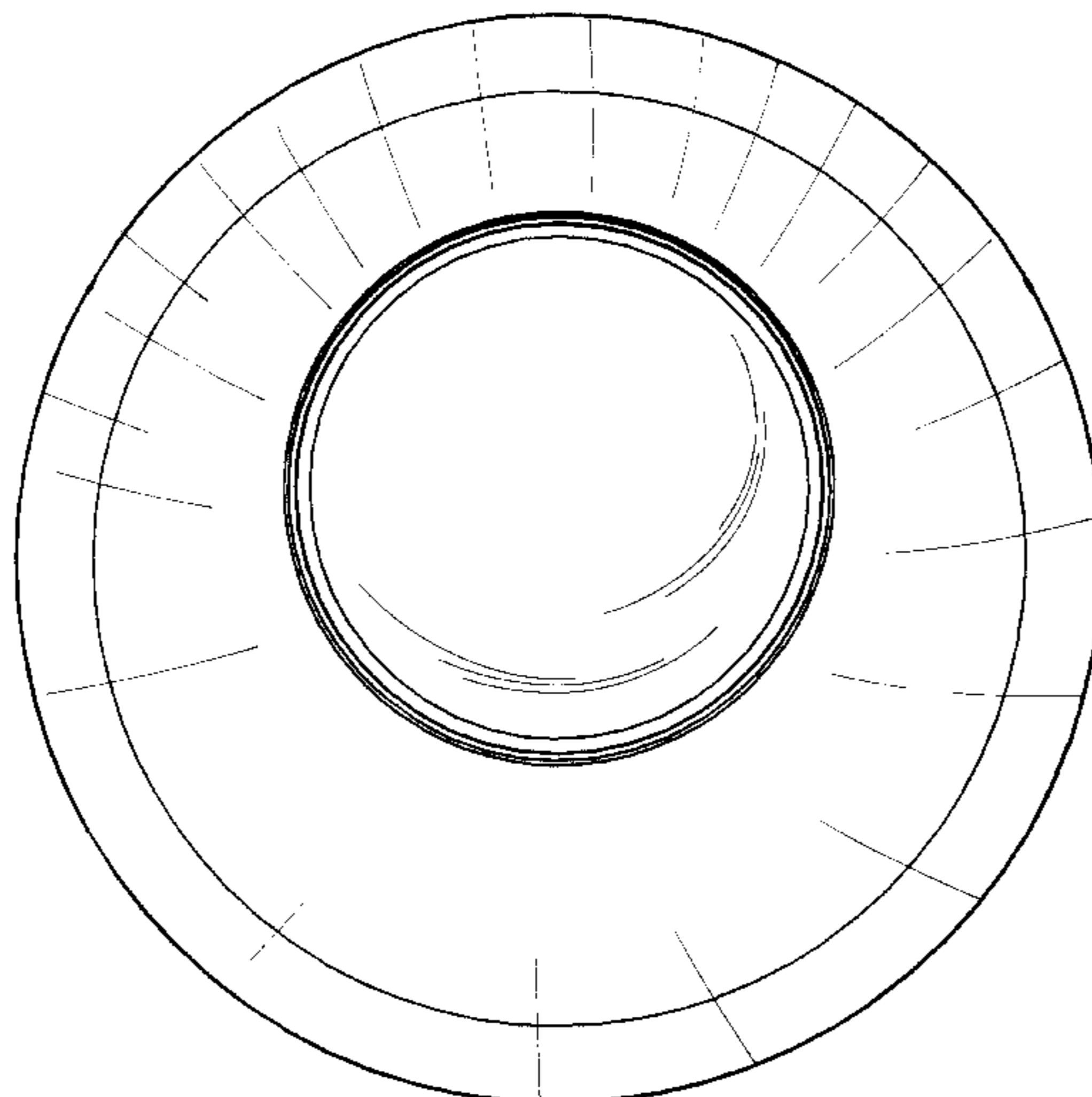
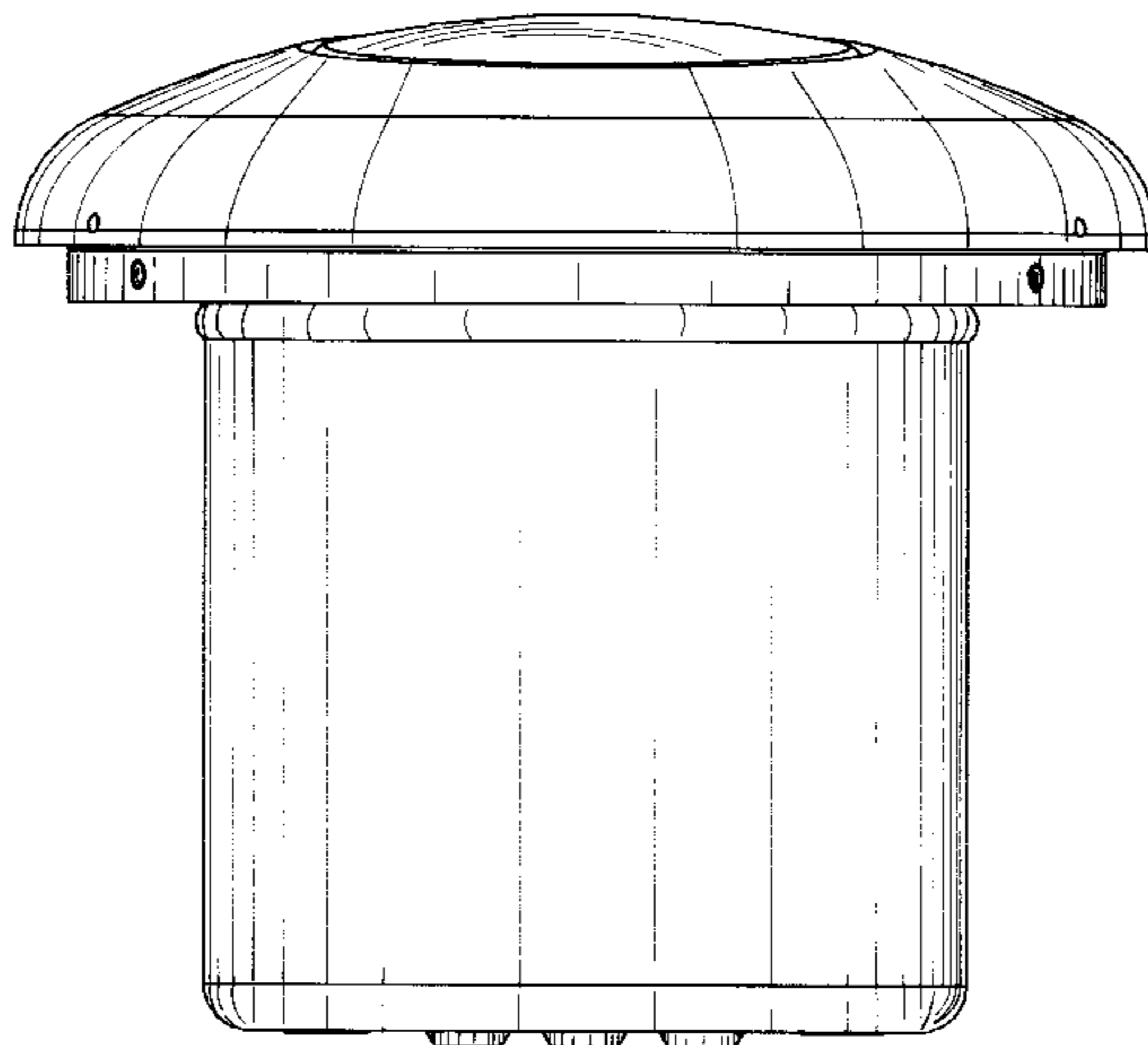


FIG.1

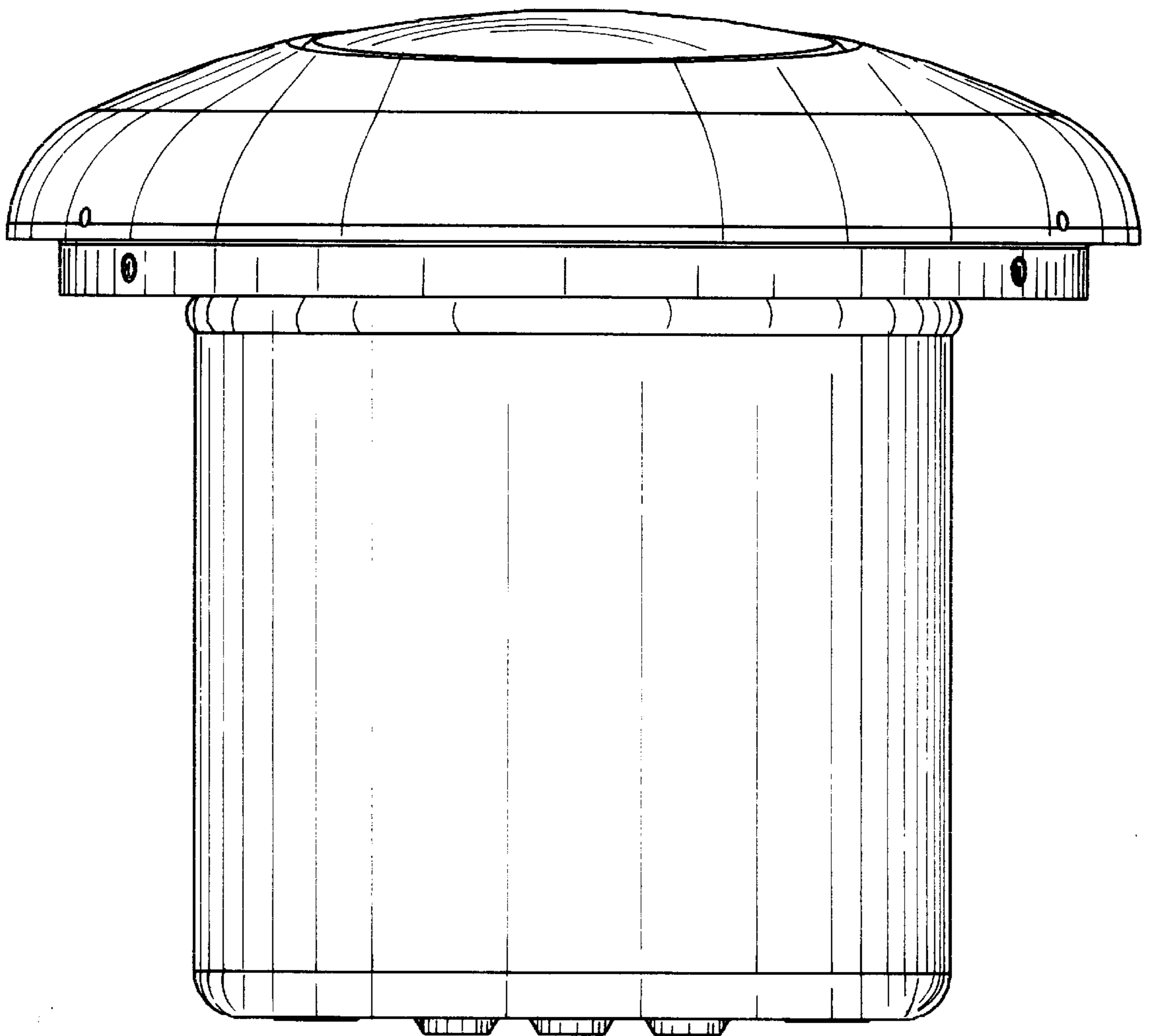


FIG2

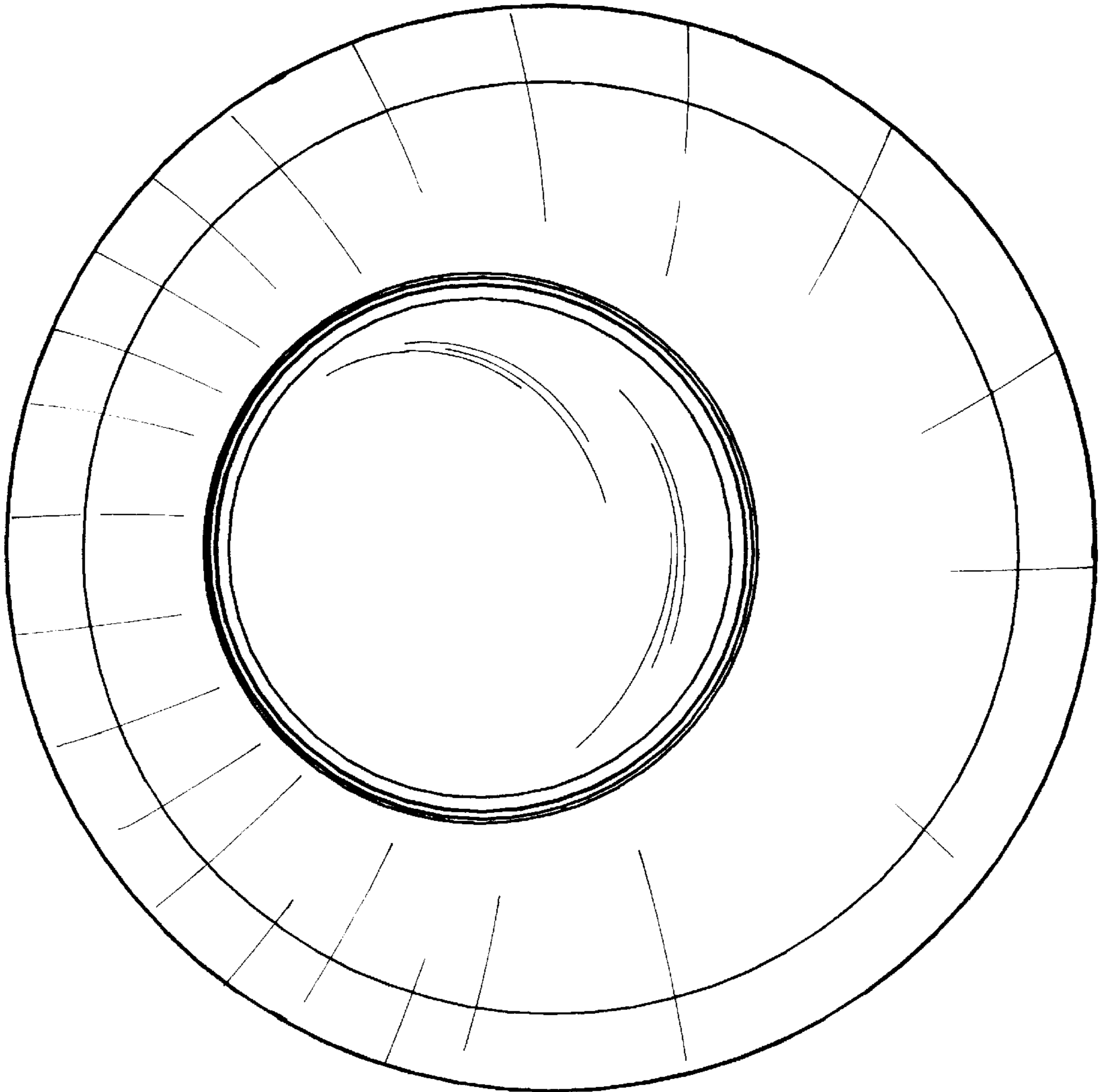


FIG.3

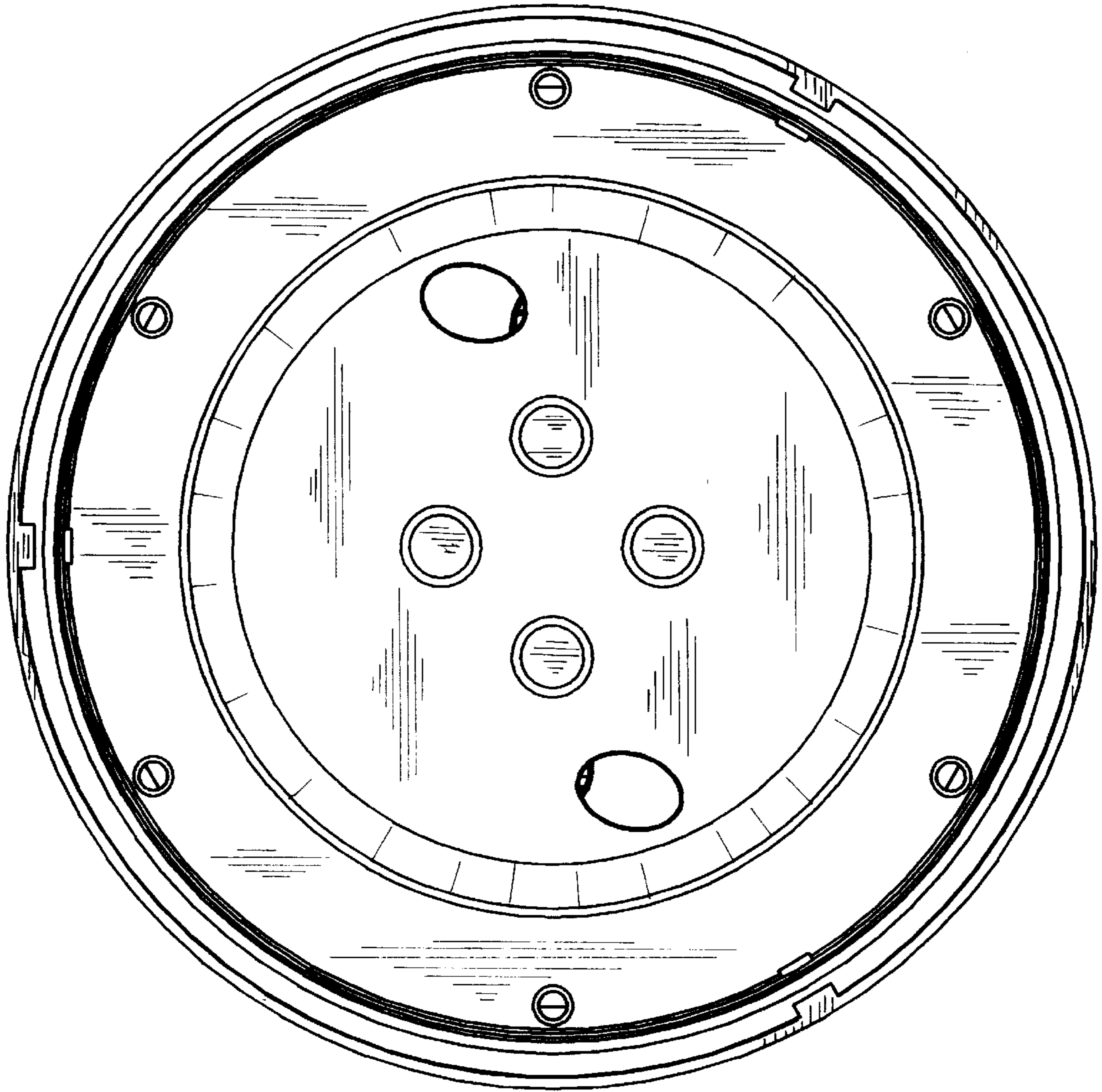


FIG.4

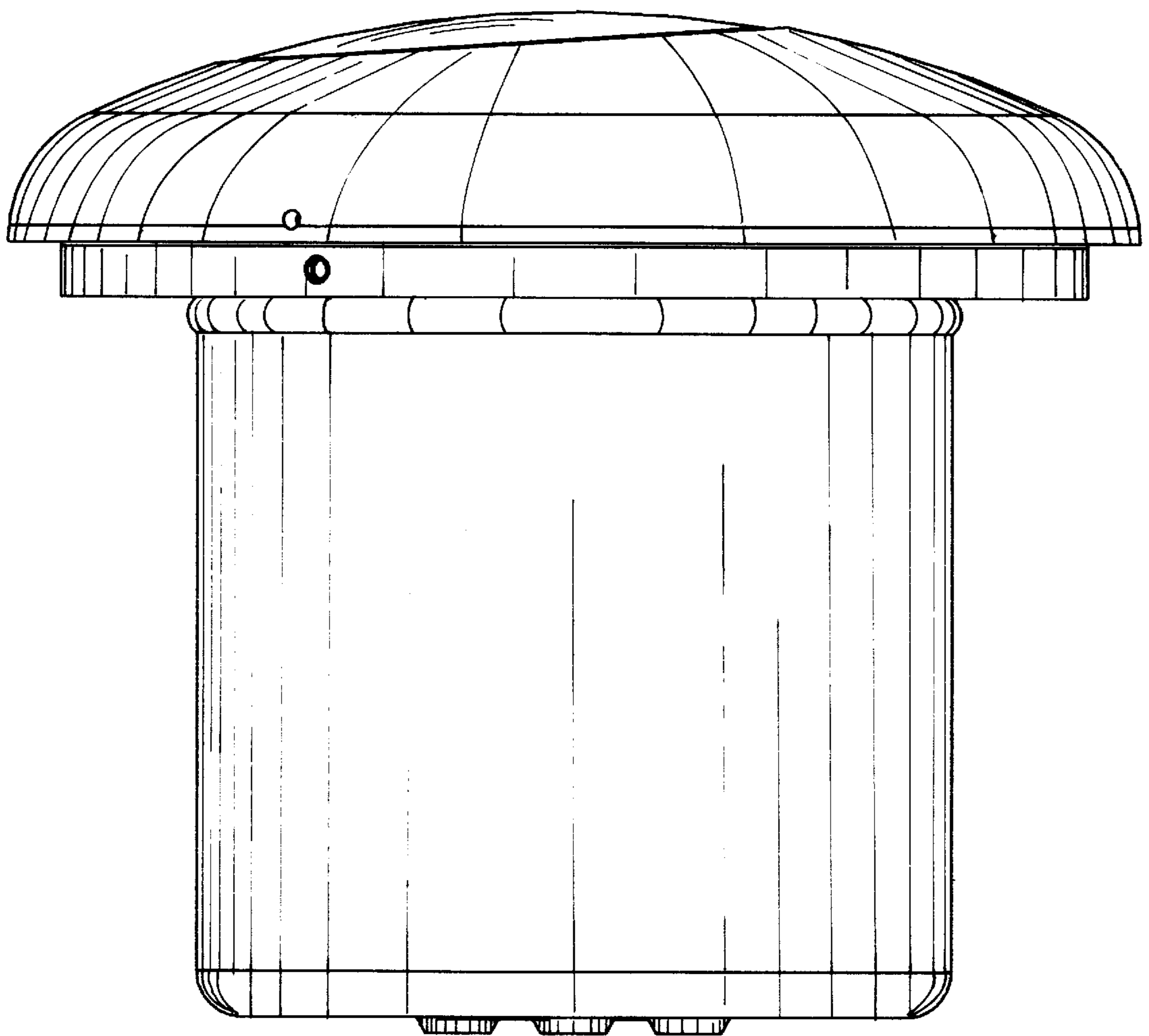


FIG.5

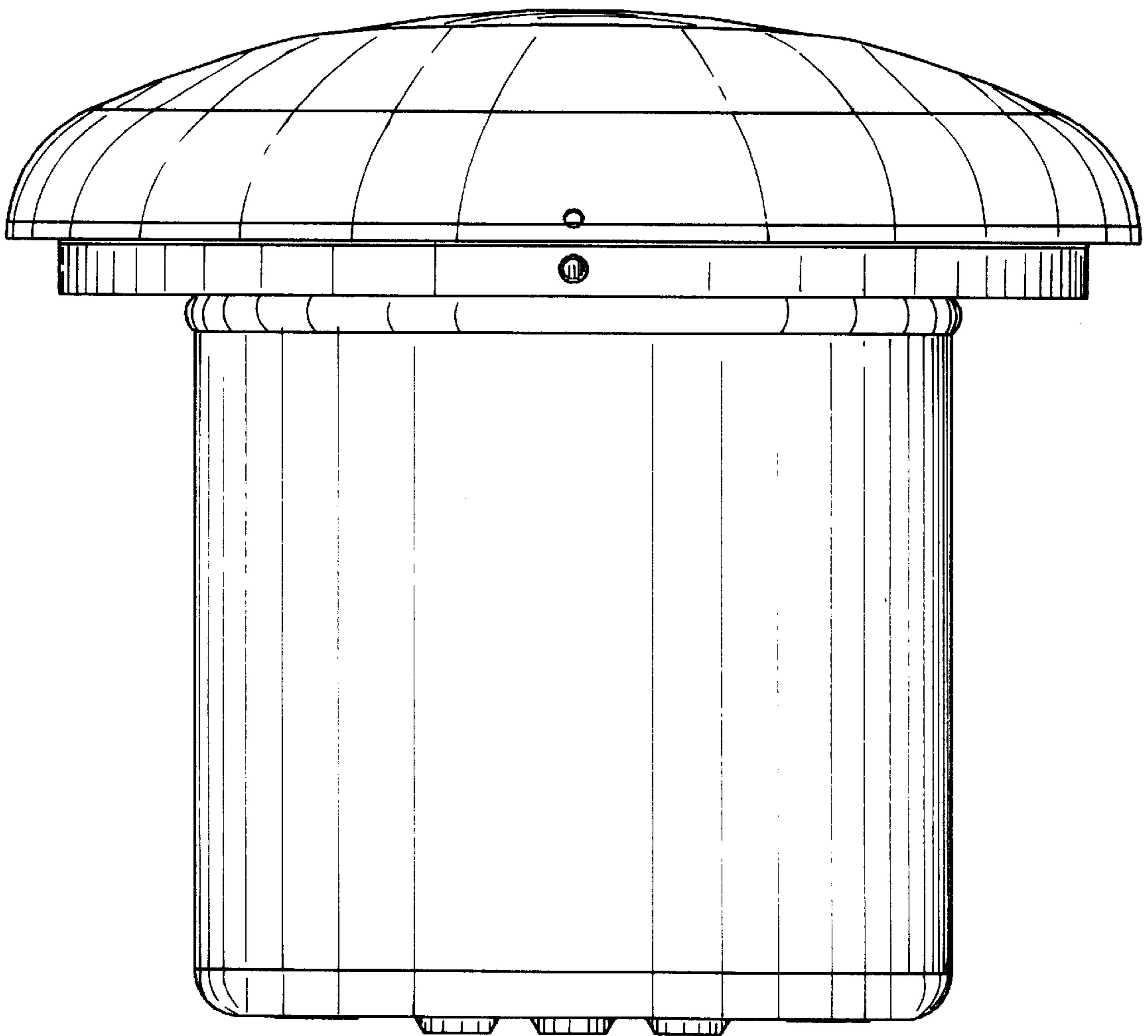


FIG.6

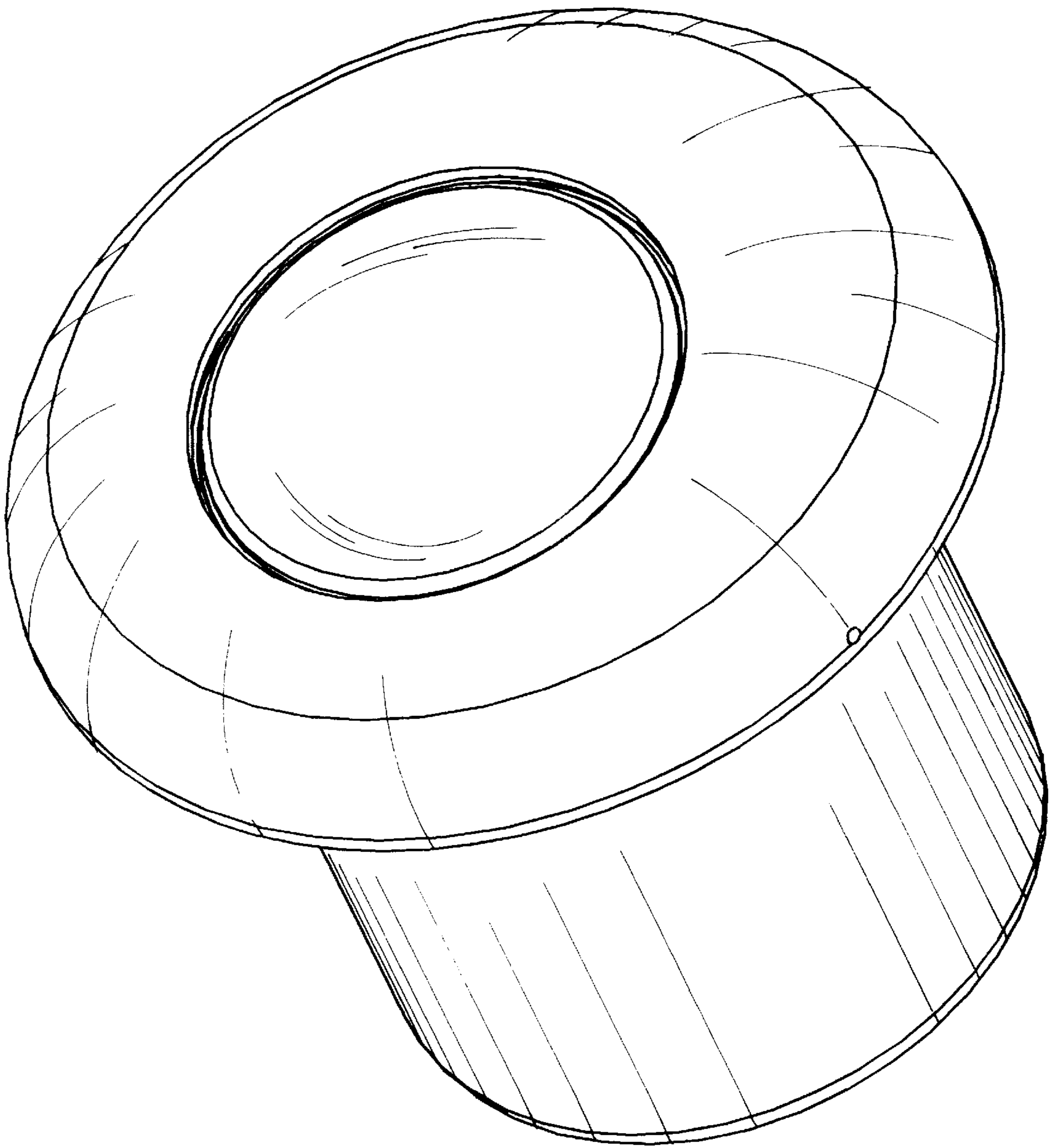


FIG. 7

