



US00D421315S

United States Patent [19] Yuen

[11] Patent Number: **Des. 421,315**

[45] Date of Patent: **** Feb. 29, 2000**

[54] SENIOR SIGNAL LANTERN

[75] Inventor: **Se Kit Yuen**, Kowloon, The Hong Kong Special Administrative Region of the People's Republic of China

[73] Assignee: **John Manufacturing Limited**, Kowloon, The Hong Kong Special Administrative Region of the People's Republic of China

[**] Term: **14 Years**

[21] Appl. No.: **29/059,427**

[22] Filed: **Sep. 11, 1996**

Related U.S. Application Data

[63] Continuation of application No. 29/047,497, Dec. 5, 1995, abandoned.

Foreign Application Priority Data

Oct. 12, 1995 [GB] United Kingdom 2051129

[51] LOC (6) Cl. **26-02**

[52] U.S. Cl. **D26/42**

[58] Field of Search D26/37-50; 362/157, 362/158, 167-169, 183-202, 206, 208

References Cited

U.S. PATENT DOCUMENTS

D. 284,106	6/1986	Drane	D26/50
D. 304,089	10/1989	Wan	D26/42
D. 313,664	1/1991	Gibson	D26/42
D. 321,263	10/1991	Yuen	D26/38

D. 321,264	10/1991	Yuen	D26/42
D. 325,644	4/1992	Yuen	D26/38
D. 336,532	6/1993	Chi-Wing	D26/42
D. 343,468	1/1994	Yuen	D26/44
D. 344,152	2/1994	Yuen	D26/38
D. 349,069	7/1994	Langley	D10/106
D. 351,674	10/1994	Journeau et al.	D26/38
D. 354,364	1/1995	Yuen	D26/42
D. 362,816	10/1995	Yuen	D10/106
D. 376,022	11/1996	Yuen	D26/38
D. 377,839	2/1997	Yuen	D26/42
1,974,294	9/1934	Walsh	D26/49

FOREIGN PATENT DOCUMENTS

2 011 361	7/1979	United Kingdom .
2045513	6/1995	United Kingdom .
2 047 695	4/1996	United Kingdom .

Primary Examiner—Marcus A. Jackson
Attorney, Agent, or Firm—Merchant & Gould P.C.

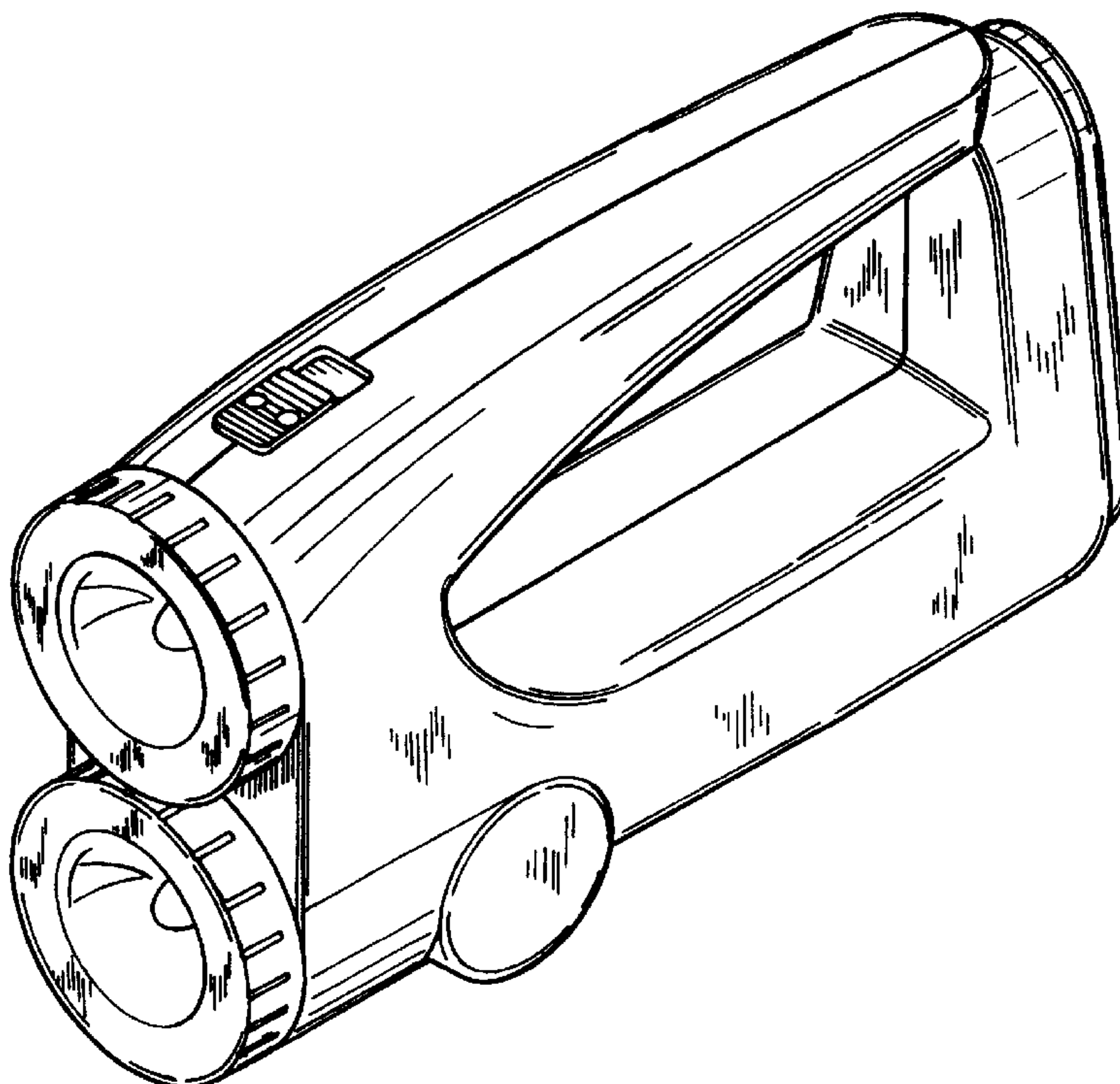
[57] CLAIM

The ornamental design for a senior signal lantern, as shown and described.

DESCRIPTION

FIG. 1 is a perspective view of a senior signal lantern showing my new design;
FIG. 2 is a front elevational view thereof;
FIG. 3 is a rear elevational view thereof;
FIG. 4 is a top plan view thereof;
FIG. 5 is a bottom plan view thereof;
FIG. 6 is a right side elevational view thereof; and,
FIG. 7 is a left side elevational view thereof.

1 Claim, 2 Drawing Sheets



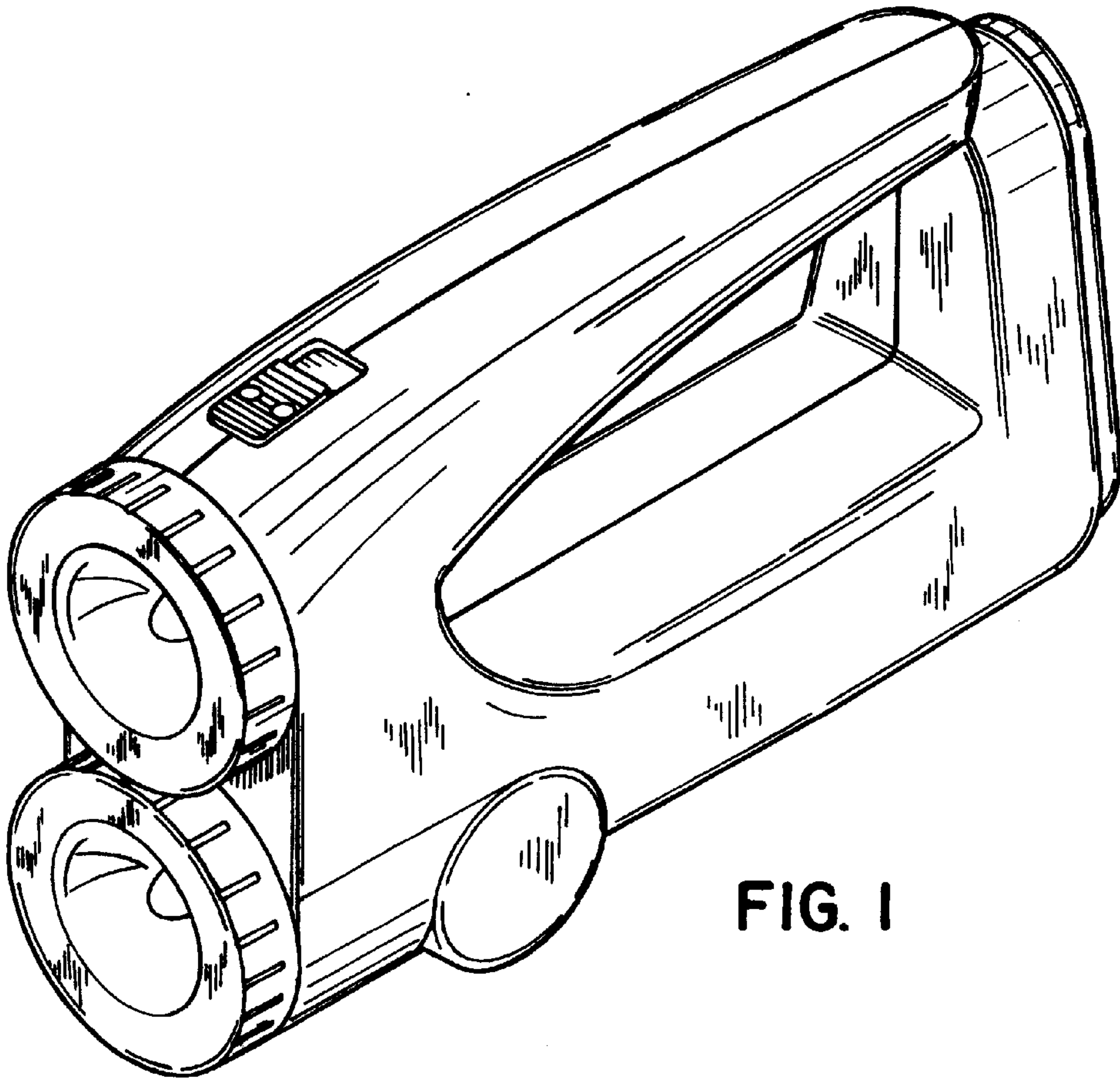


FIG. 1

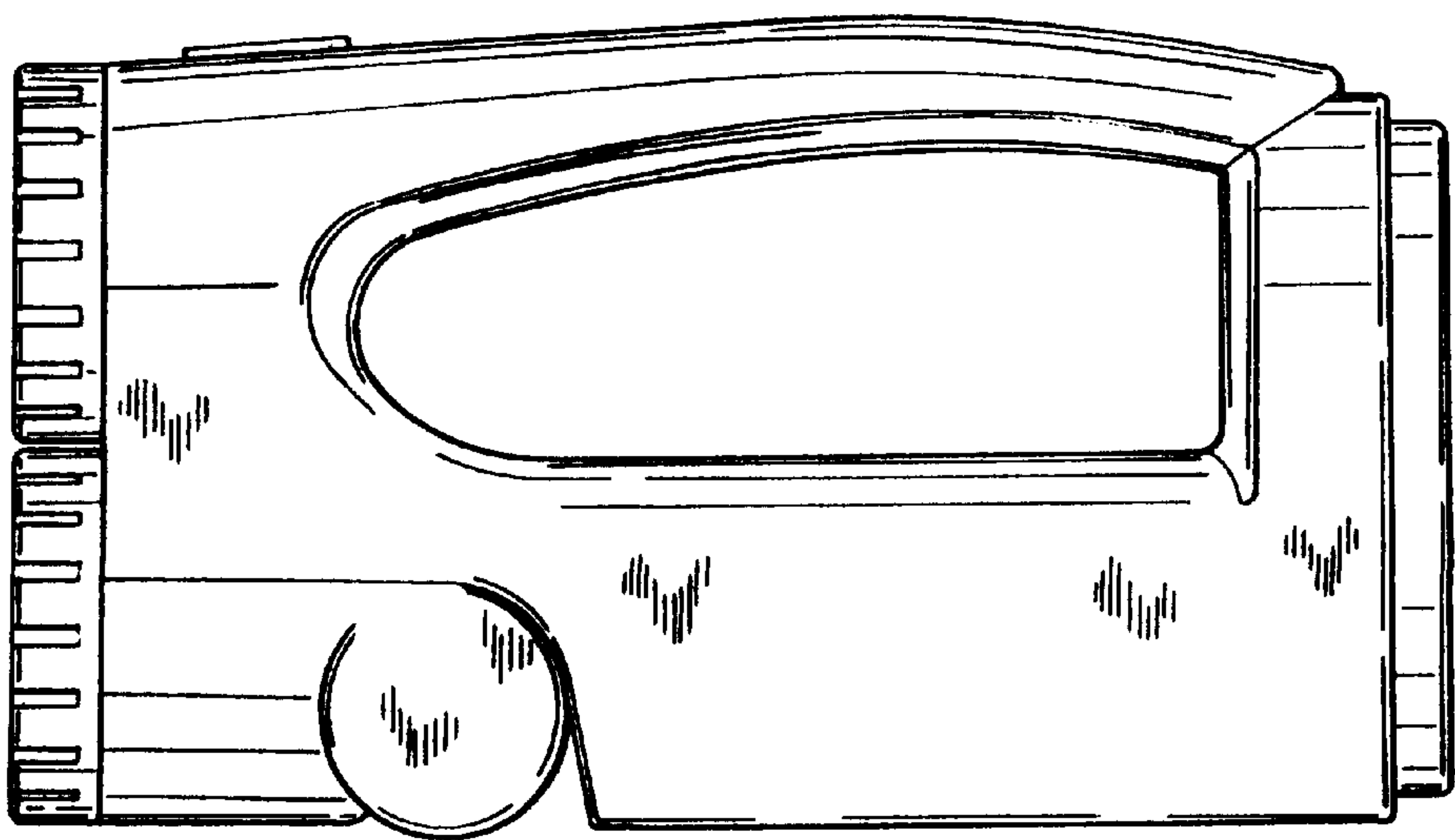


FIG. 2

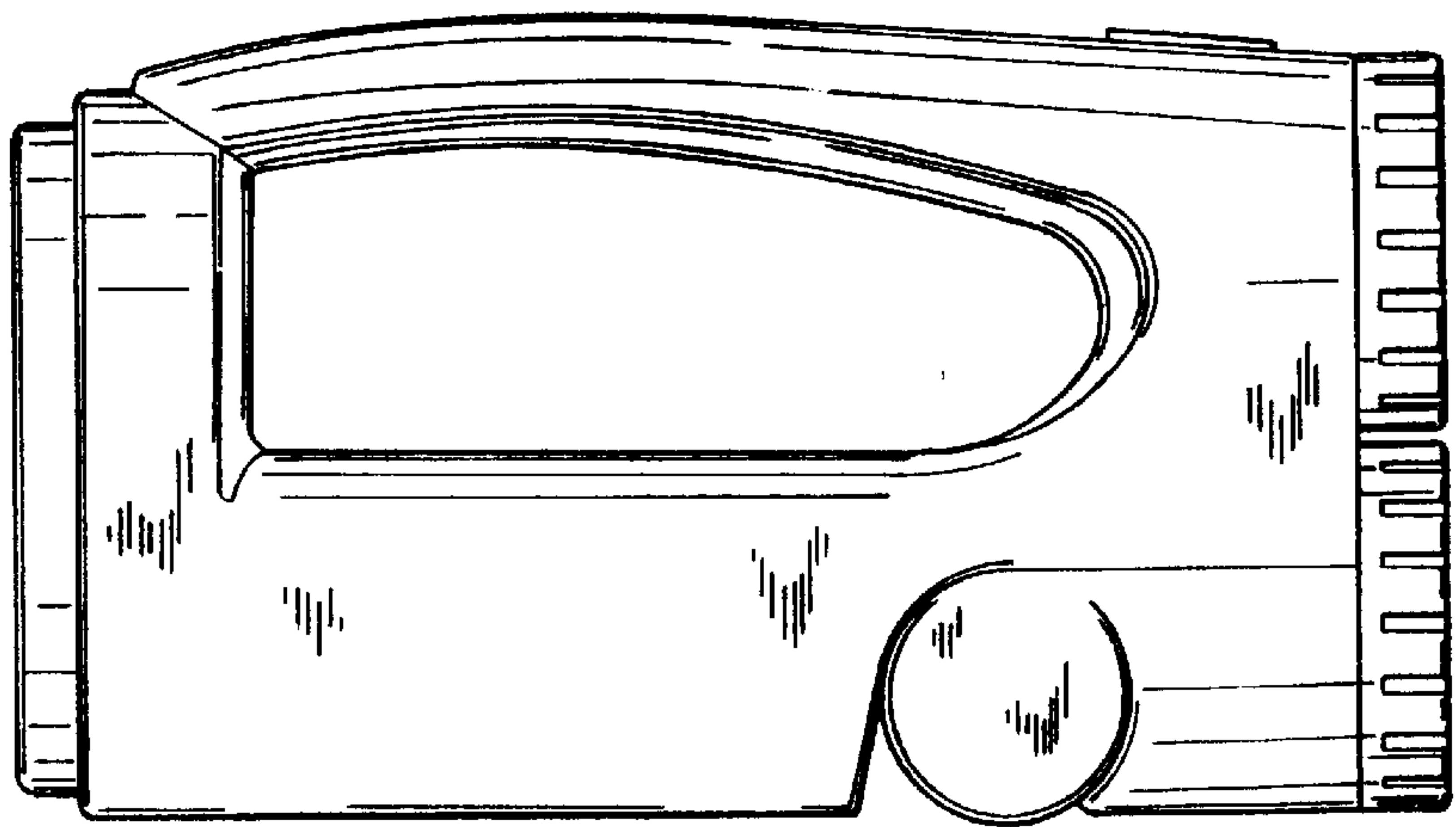


FIG. 3

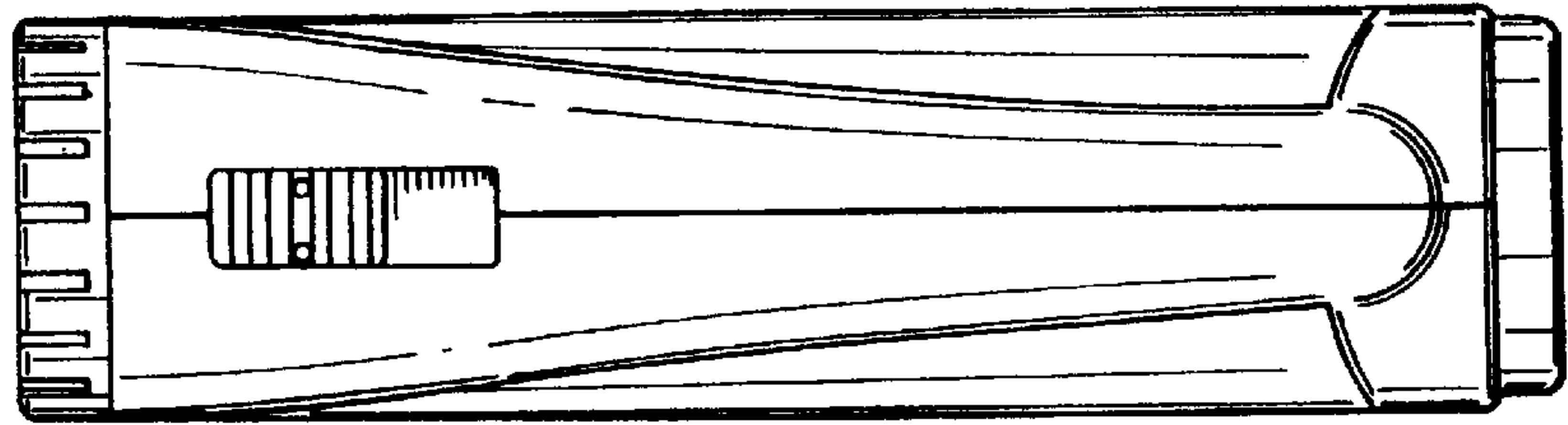


FIG. 4

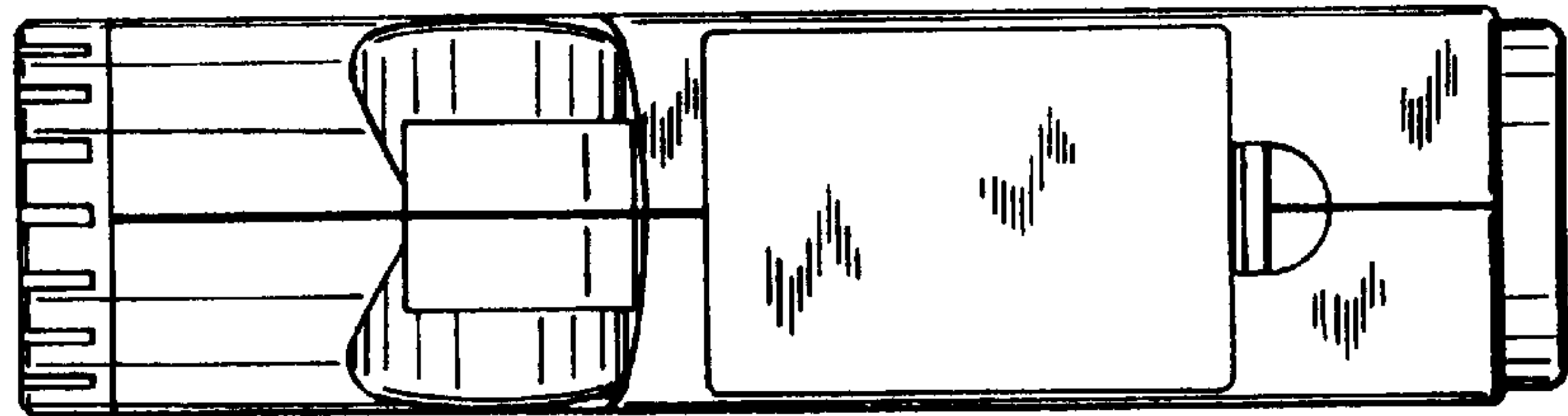


FIG. 5

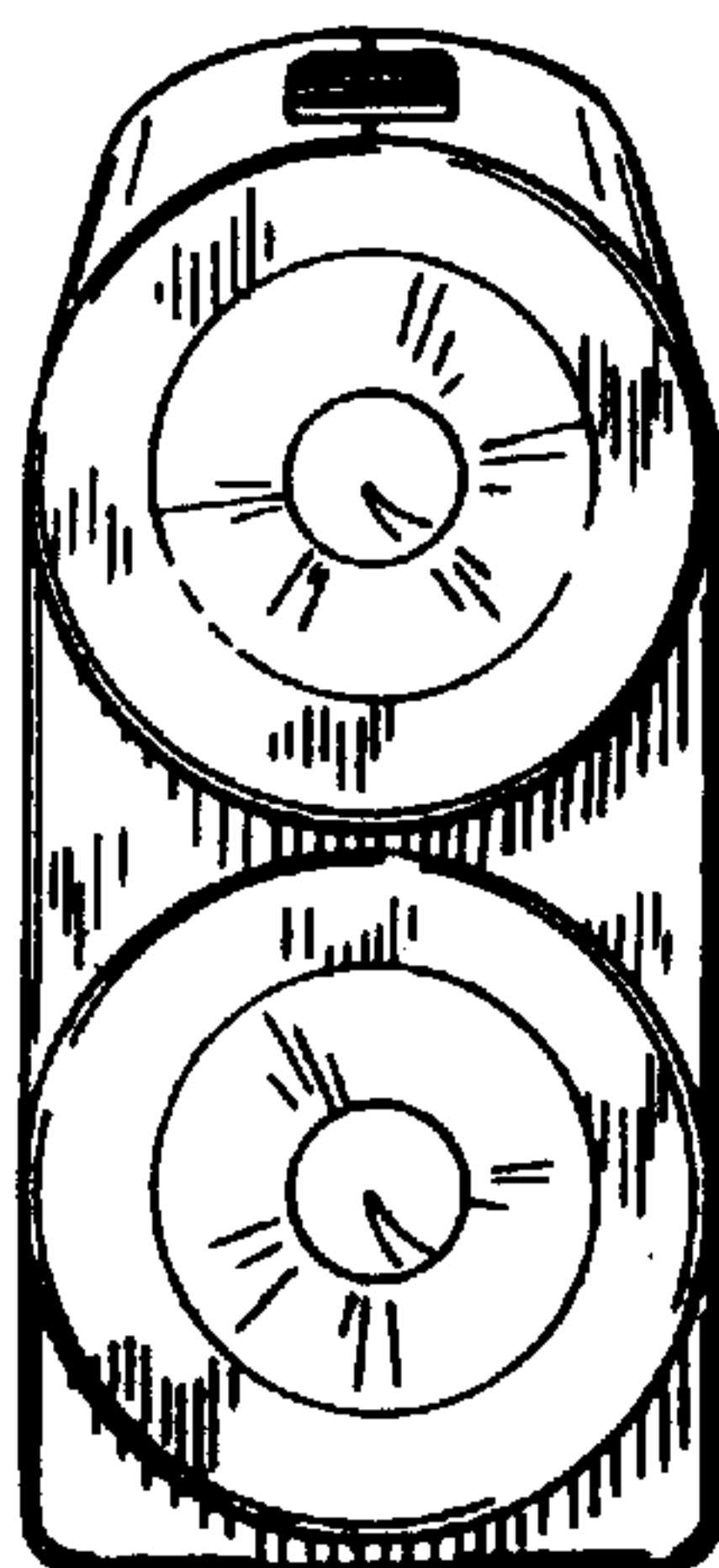


FIG. 6

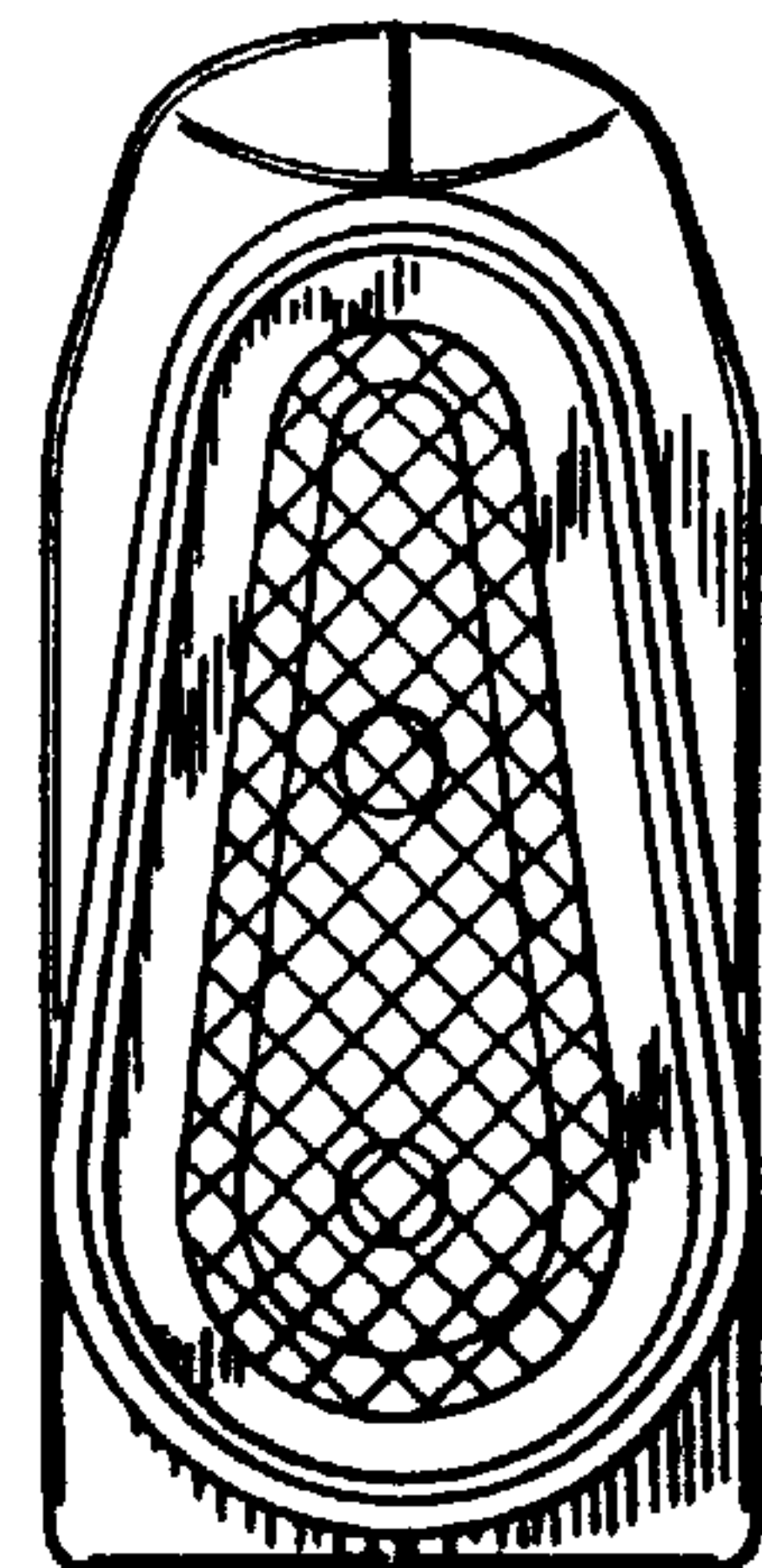


FIG. 7