



US00D421314S

# United States Patent [19]

Hussaini et al.

[11] Patent Number: Des. 421,314

[45] Date of Patent: \*\* Feb. 29, 2000

[54] LIGHT

D. 390,979 2/1998 Yamamoto ..... D26/28  
D. 399,326 10/1998 Kelly ..... D26/28

[75] Inventors: Saied Hussaini; Marc Iacovelli, both of Miami, Fla.

Primary Examiner—Marcus A. Jackson  
Attorney, Agent, or Firm—Liniak, Berenato, Longacre & White

[73] Assignee: Rally Manufacturing, Inc., Miami, Fla.

### [57] CLAIM

[\*\*] Term: 14 Years

The ornamental design for a light, as shown and described.

[21] Appl. No.: 29/104,637

### DESCRIPTION

[22] Filed: May 10, 1999

[51] LOC (6) Cl. .... 26-06

[52] U.S. Cl. .... D26/28

[58] Field of Search ..... D26/28-36; 362/80, 362/81, 82, 83, 326, 329-340, 418, 549

FIG. 1 is a front view of a light showing my new design, with the broken line showing for illustrative purposes and forming no part of the claimed design;

FIG. 2 is a rear view of the light shown in FIG. 1.

FIG. 3 is a left side view of the light shown in FIG. 1.

FIG. 4 is a right side view of the light shown in FIG. 1.

FIG. 5 is a top view of the light shown in FIG. 1.

FIG. 6 is a bottom view of the light shown in FIG. 1; and,

FIG. 7 is a top and left side perspective view of the light shown in FIG. 1.

### [56] References Cited

#### U.S. PATENT DOCUMENTS

D. 354,363 1/1995 Jsai ..... D26/28  
D. 357,329 4/1995 Iacovelli ..... D26/28  
D. 372,995 8/1996 Huang ..... D26/28

1 Claim, 4 Drawing Sheets

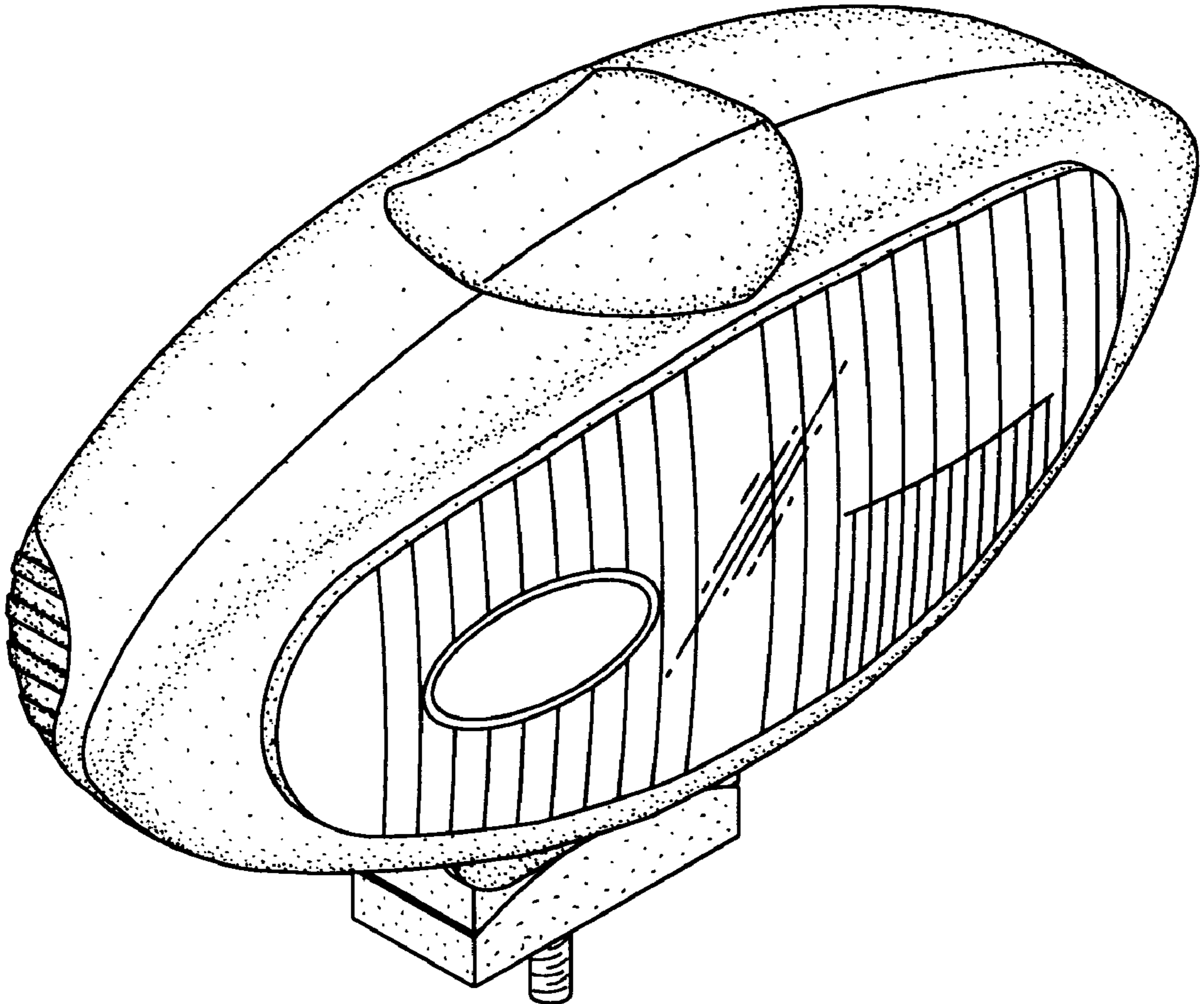


Fig. 1

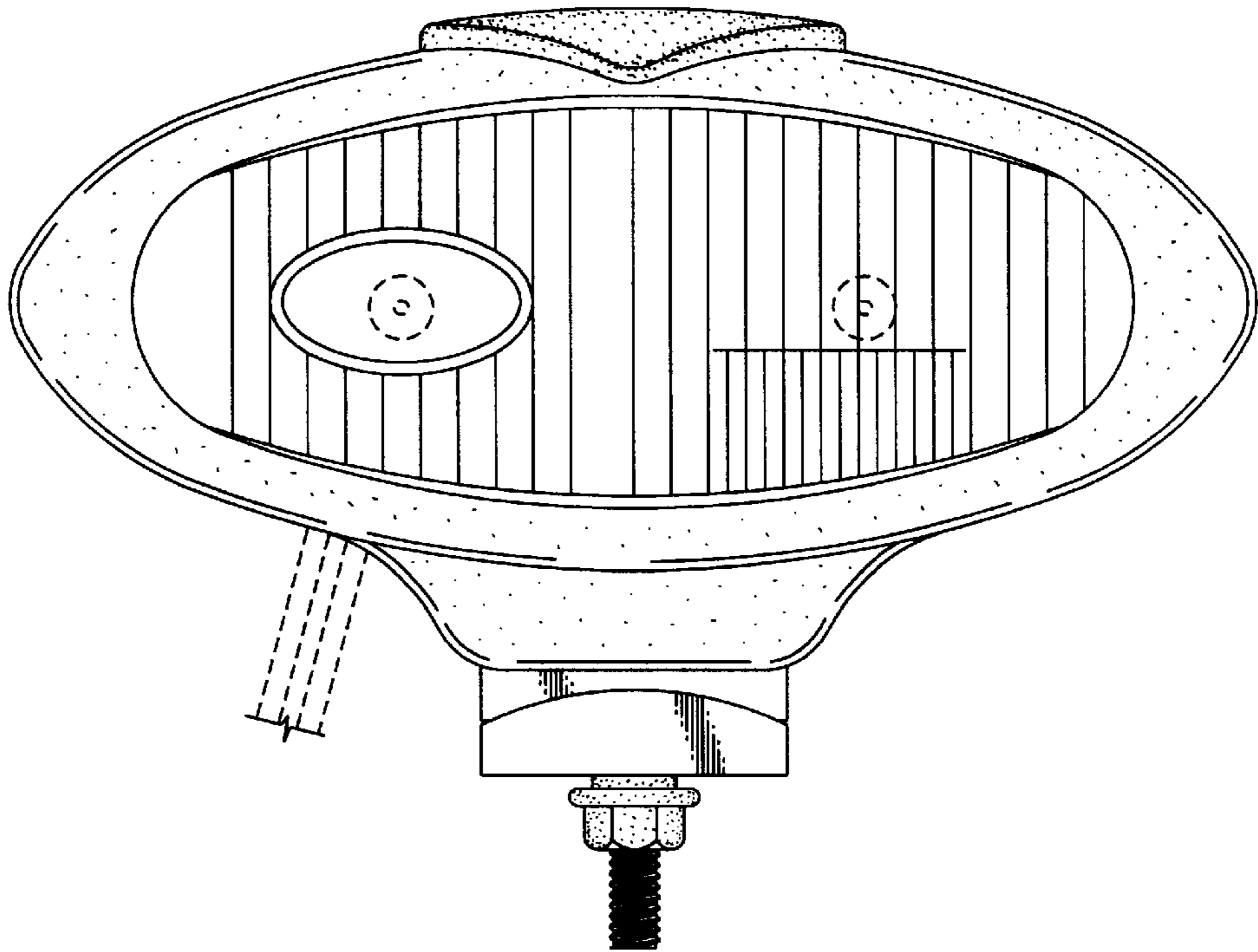


Fig. 2

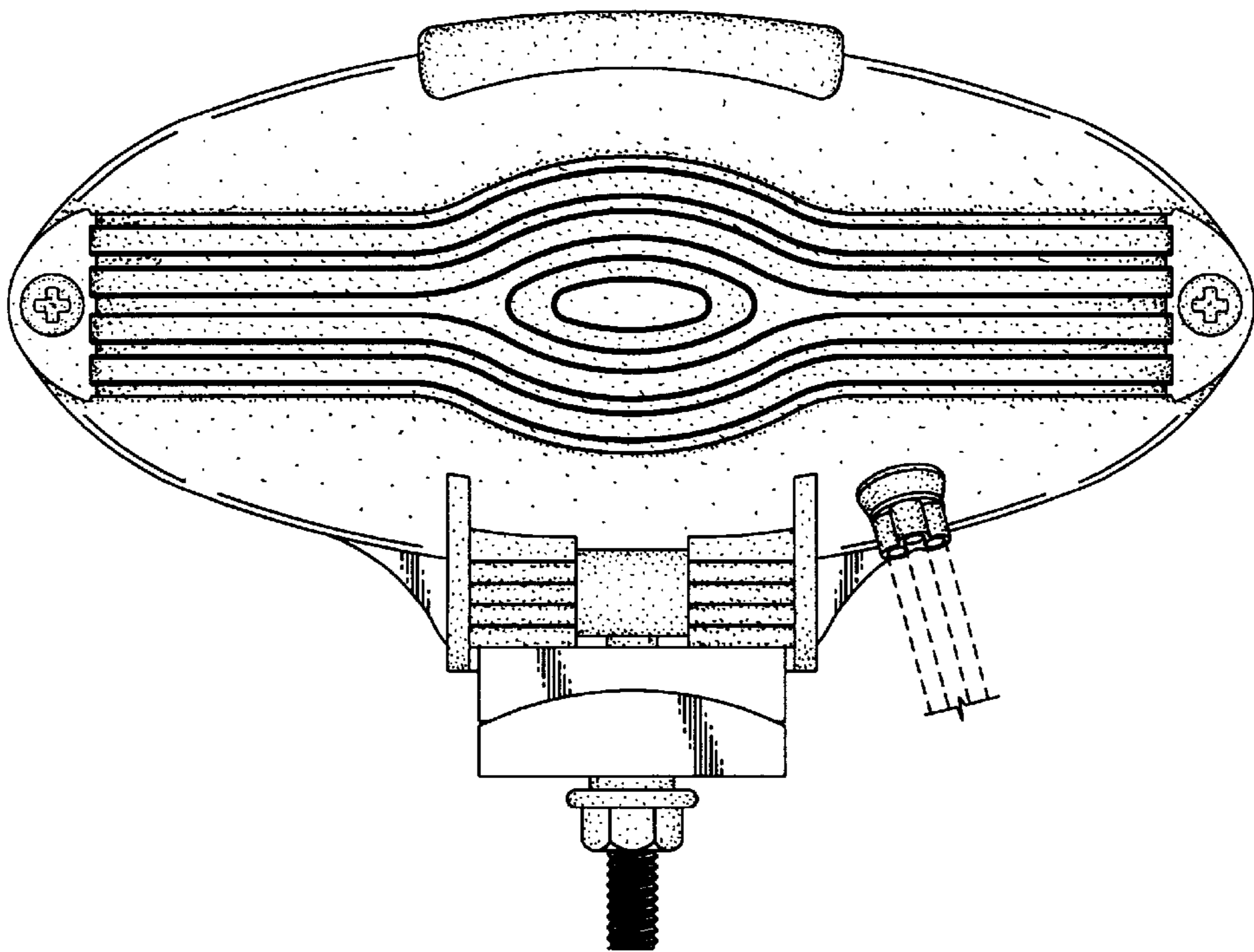


Fig. 3

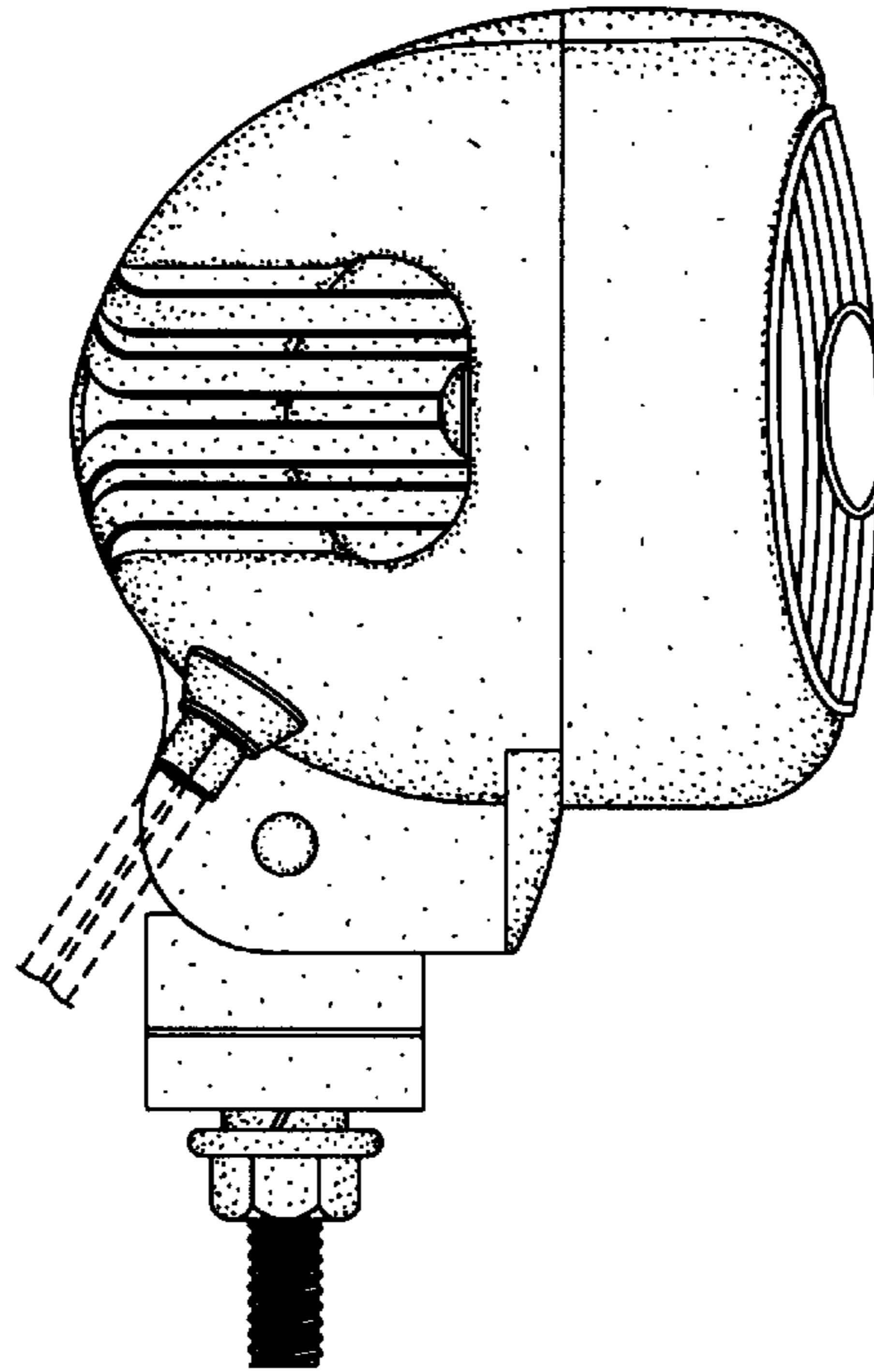


Fig. 4

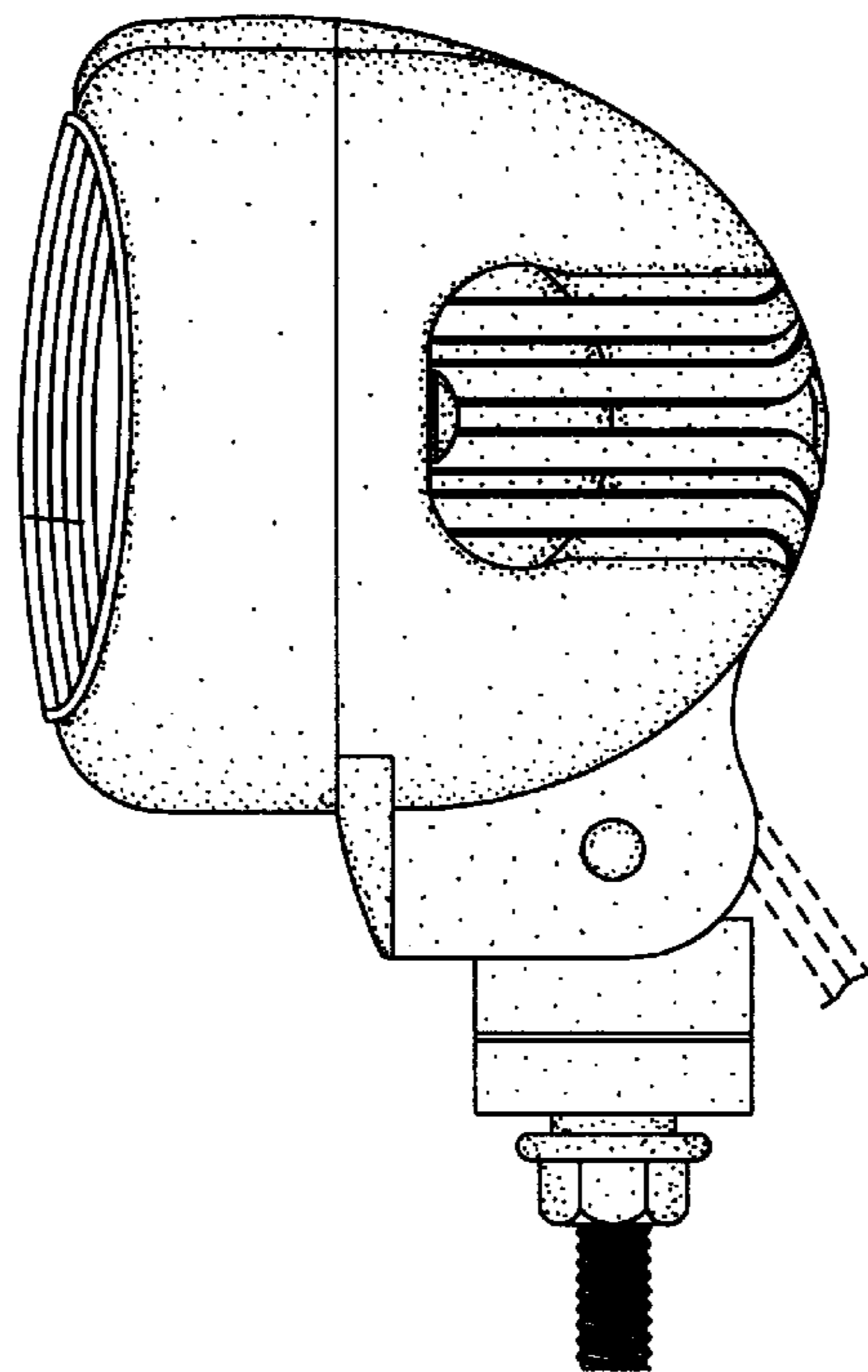


Fig. 5

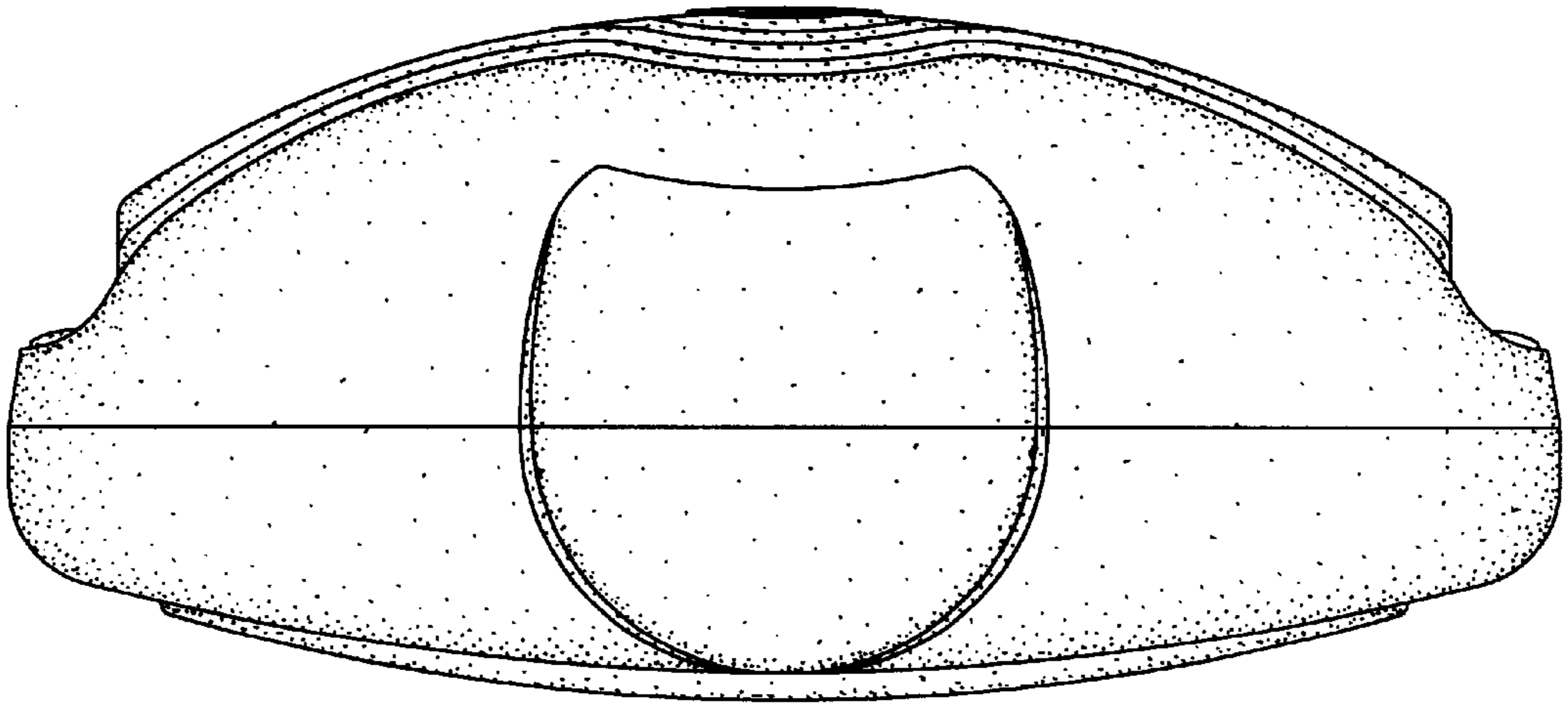


Fig. 6

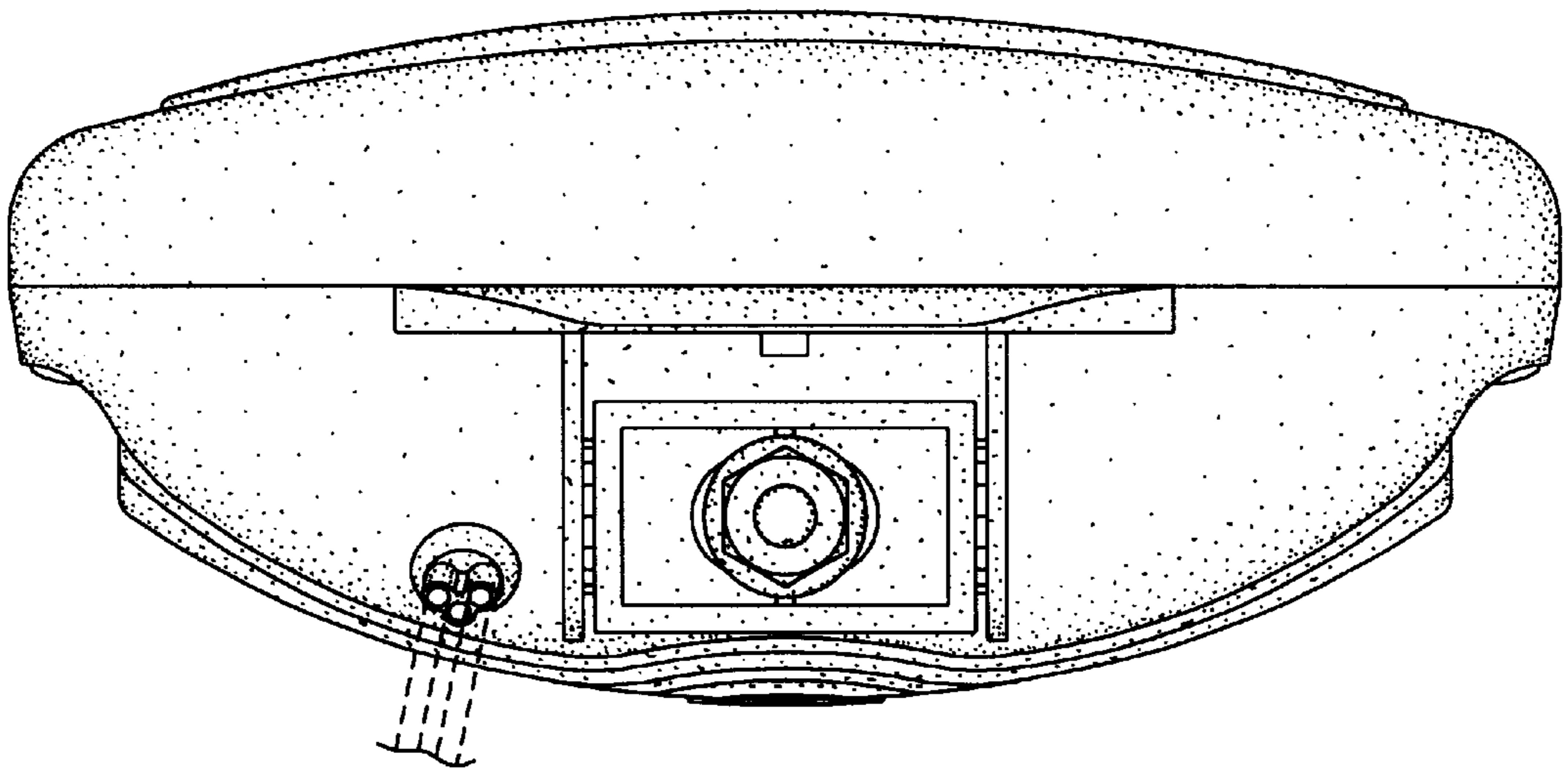


Fig. 7

