



US00D421309S

United States Patent [19]

Riley et al.

[11] Patent Number: **Des. 421,309**

[45] Date of Patent: **** Feb. 29, 2000**

[54] **STERILIZATION CONTAINER**

4,661,326 4/1987 Schainholz 206/439 X
5,524,755 6/1996 Peeds 206/370

[75] Inventors: **Edward D. Riley**, Falmouth, Me.;
Ansgar Brossard, Krailling, Germany

Primary Examiner—Doris Clark
Assistant Examiner—I Simmons
Attorney, Agent, or Firm—Cesari and McKenna, LLP

[73] Assignee: **Riley Medical, Inc.**, Auburn, Me.

[**] Term: **14 Years**

[57] CLAIM

[21] Appl. No.: **29/085,750**

The ornamental design for a sterilization container, as shown and described.

[22] Filed: **Mar. 3, 1998**

DESCRIPTION

[51] **LOC (6) Cl.** **24-02**

[52] **U.S. Cl.** **D24/217**

[58] **Field of Search** D24/217; 422/300,
422/297; 206/370, 366, 439, 363

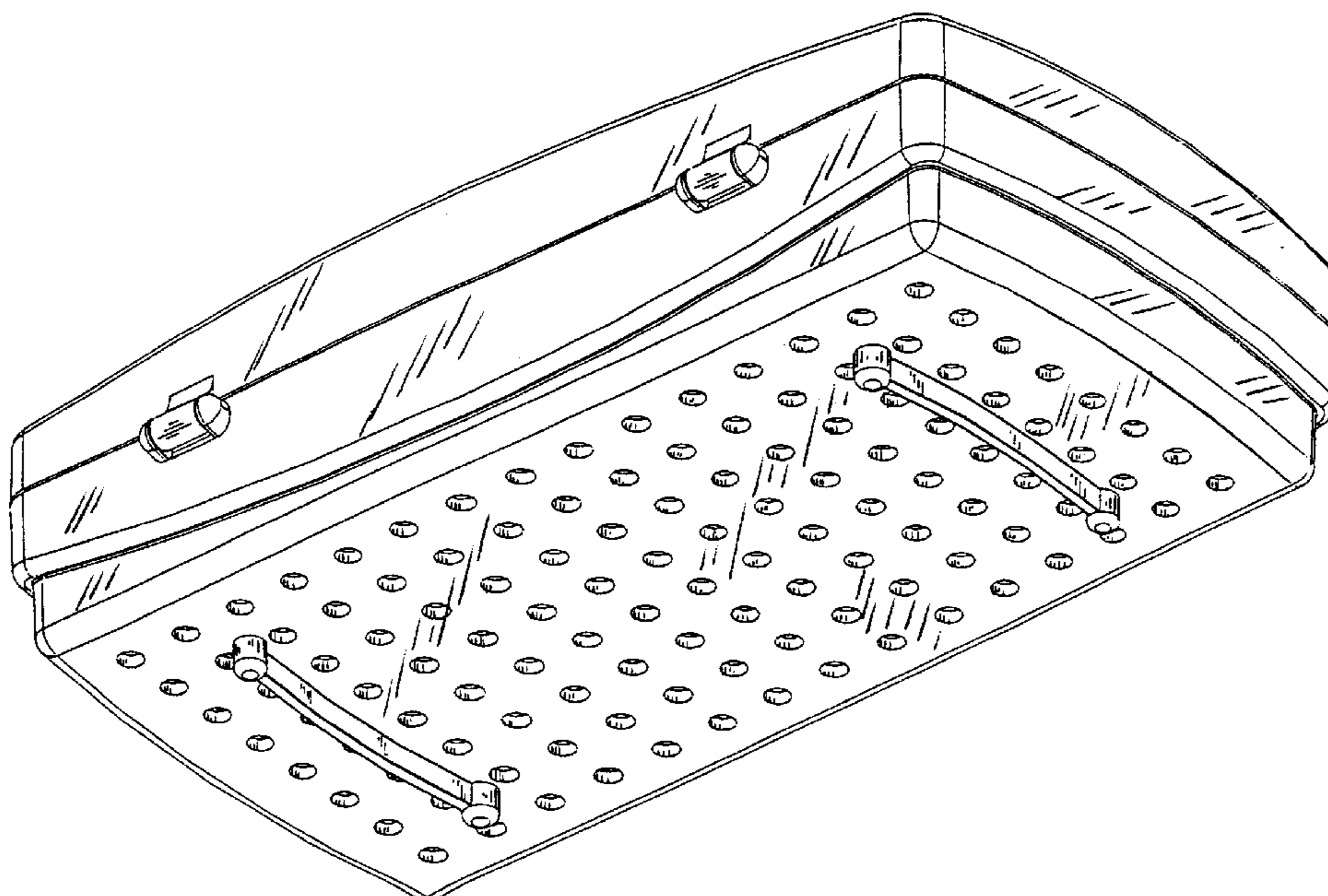
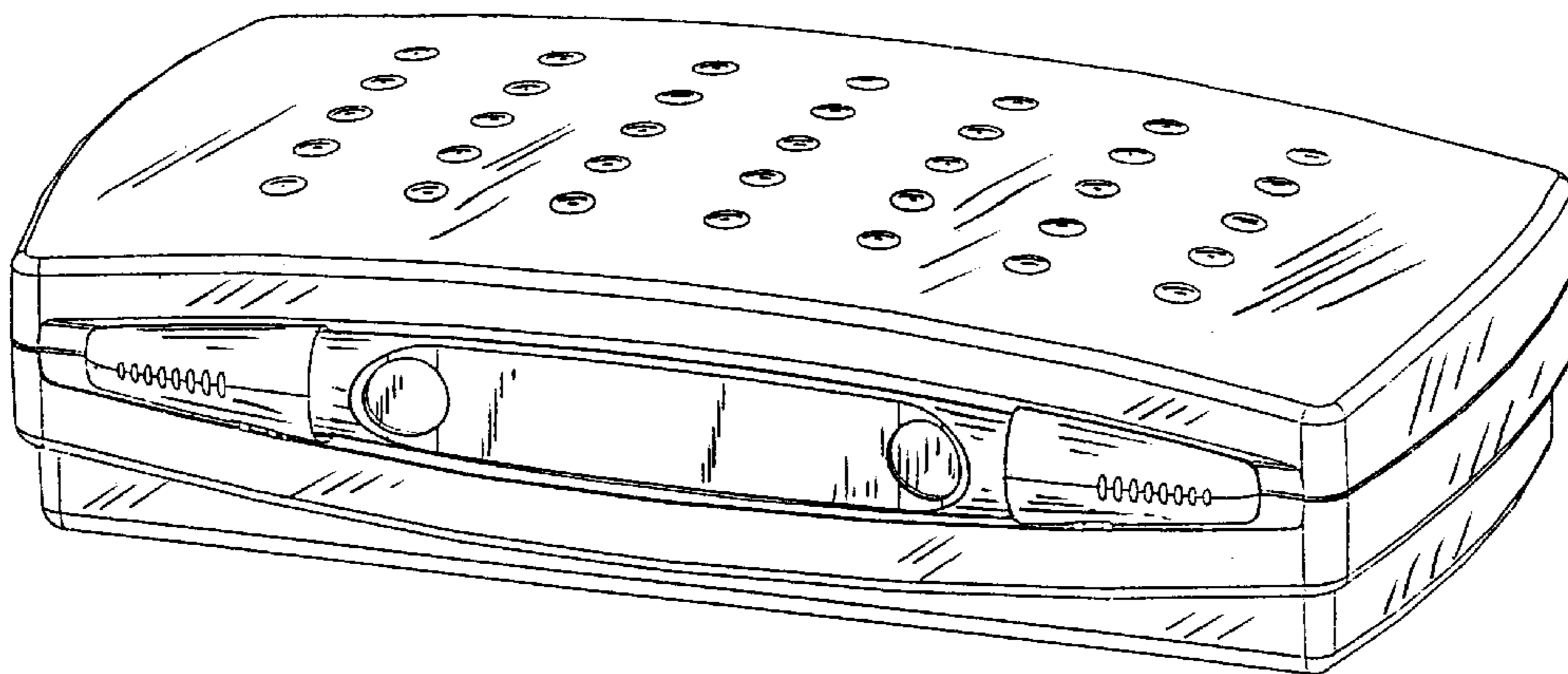
FIG. 1 is a left front top perspective view of a sterilization container showing the new design;
FIG. 2 is a right rear bottom perspective view thereof;
FIG. 3 is a front elevational view thereof;
FIG. 4 is a rear elevational view thereof; and,
FIG. 5 is a left side elevational view on a larger scale thereof, the right side being a mirror image thereof.

[56] References Cited

U.S. PATENT DOCUMENTS

D. 360,697 7/1995 Riihimaki et al. D24/217

1 Claim, 2 Drawing Sheets



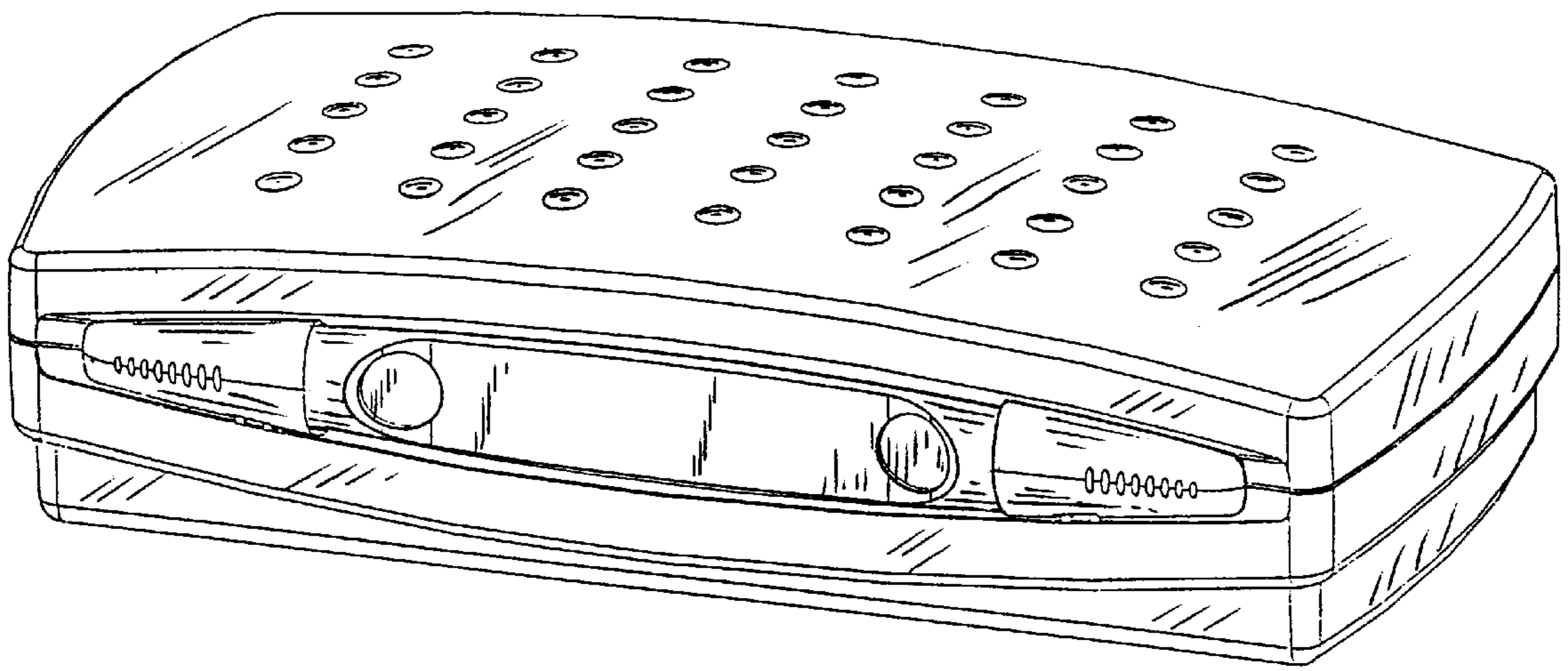


FIG. 1

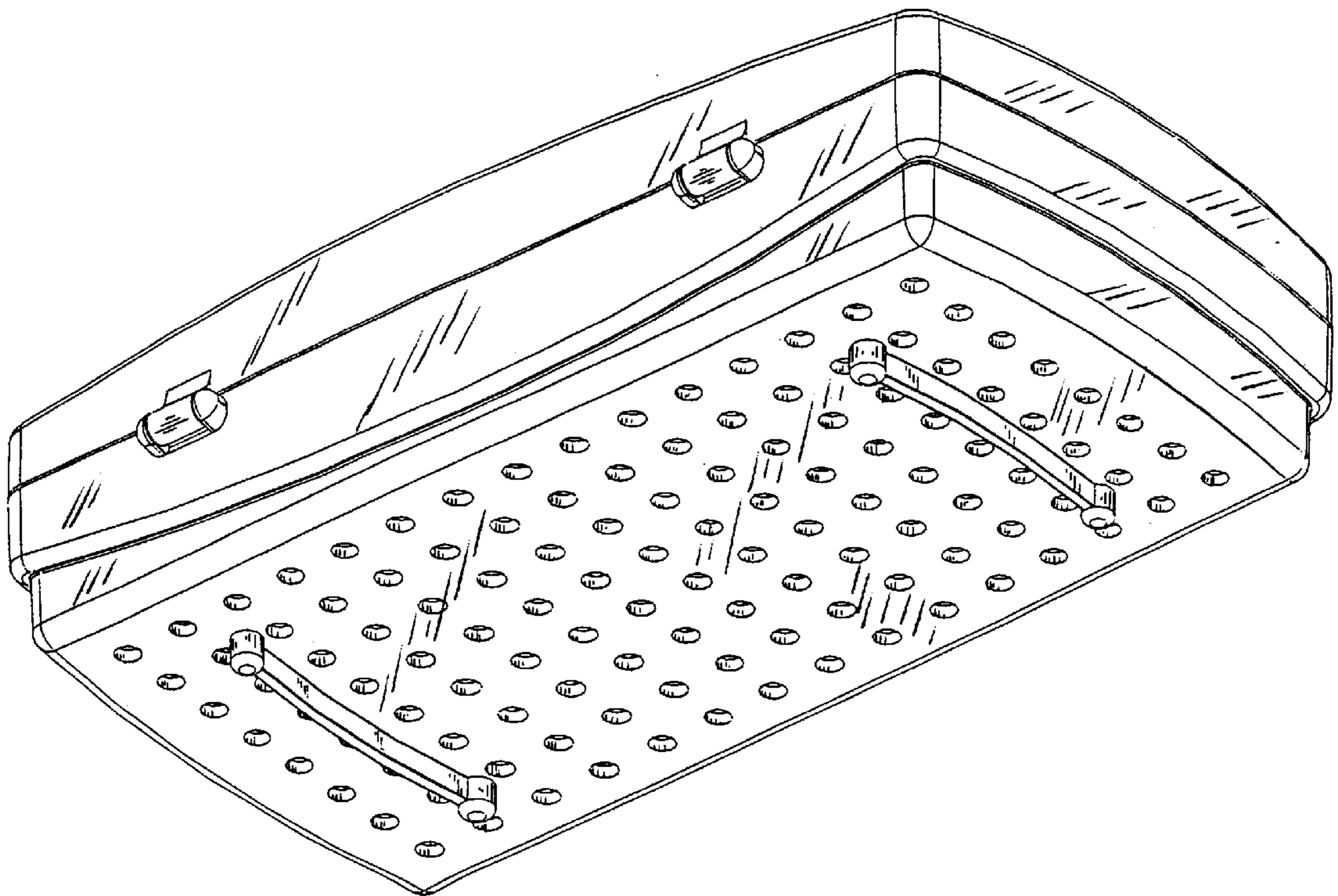


FIG. 2

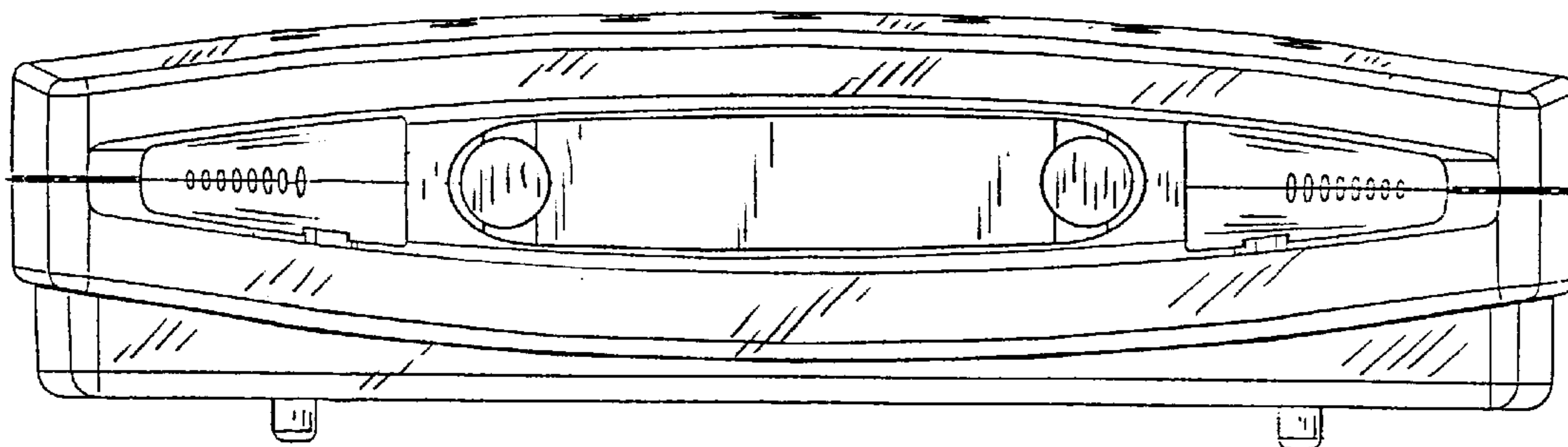


FIG. 3

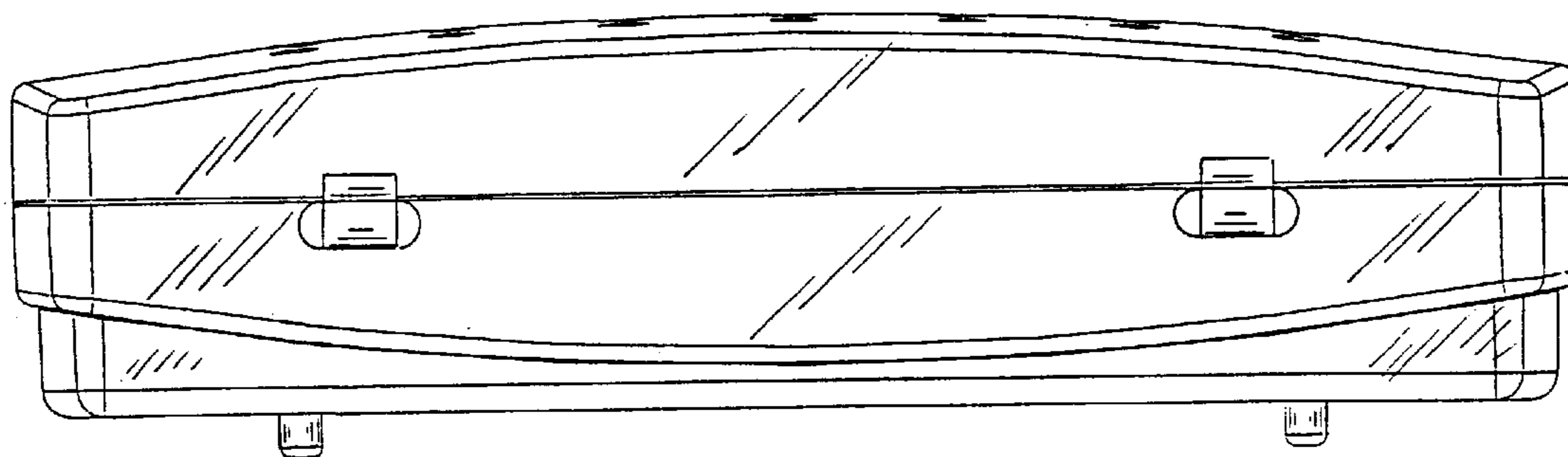


FIG. 4

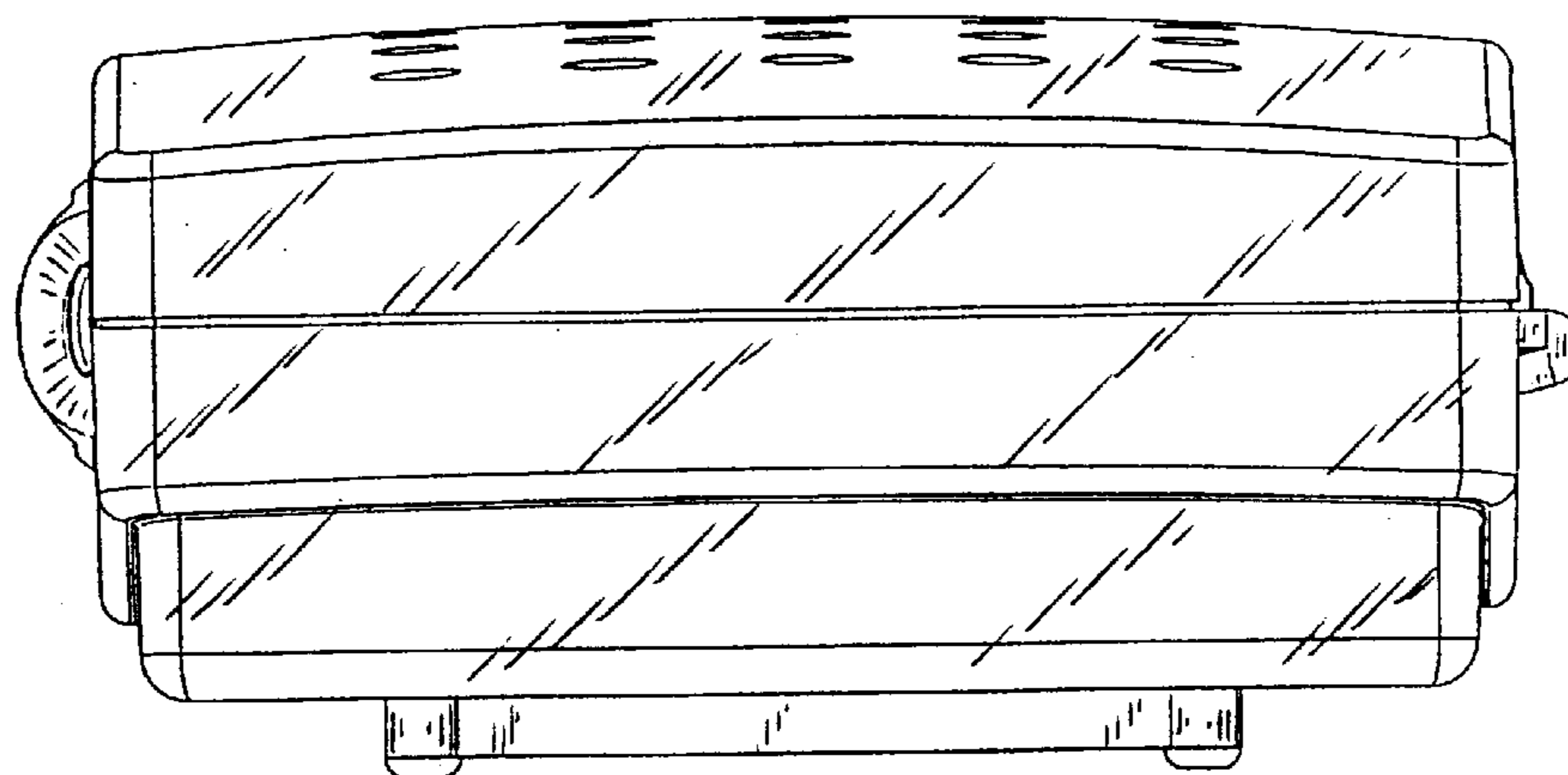


FIG. 5