



US00D421308S

United States Patent [19]

[11] Patent Number: Des. 421,308

Johansson et al.

[45] Date of Patent: ** Feb. 29, 2000

[54] **STERILIZER**

D. 305,261 12/1989 Hubbs D24/217
D. 369,867 5/1996 Feldman et al. D24/217

[75] Inventors: **Affe Johansson; Pål Svensson**, both of Göteborg, Sweden

Primary Examiner—Stella Reid
Assistant Examiner—I Simmons
Attorney, Agent, or Firm—Klarquist Sparkman Campbell Leigh & Whinston LLP

[73] Assignee: **TSP Medical AB**, Sweden

[**] Term: **14 Years**

[57] **CLAIM**

[21] Appl. No.: **29/076,961**

The ornamental design for a sterilizer, as shown and described.

[22] Filed: **Sep. 23, 1997**

[30] **Foreign Application Priority Data**

DESCRIPTION

Mar. 24, 1997 [SE] Sweden 970710

FIG. 1 is a perspective view from above and front of a sterilizer;
FIG. 2 is a perspective view from below and the rear;
FIG. 3 is a perspective view as in FIG. 1 with access door open; and,
FIG. 4 is a perspective view as in FIG. 2 with access door open.
The broken line showing in FIGS. 1 and 3 is for illustrative purposes only, and forms no part of the claimed design.

[51] **LOC (6) Cl.** **24-01**

[52] **U.S. Cl.** **D24/217**

[58] **Field of Search** D24/217, 216;
422/292, 298, 296, 299

[56] **References Cited**

U.S. PATENT DOCUMENTS

D. 176,310 12/1955 Schulz D24/217

1 Claim, 2 Drawing Sheets

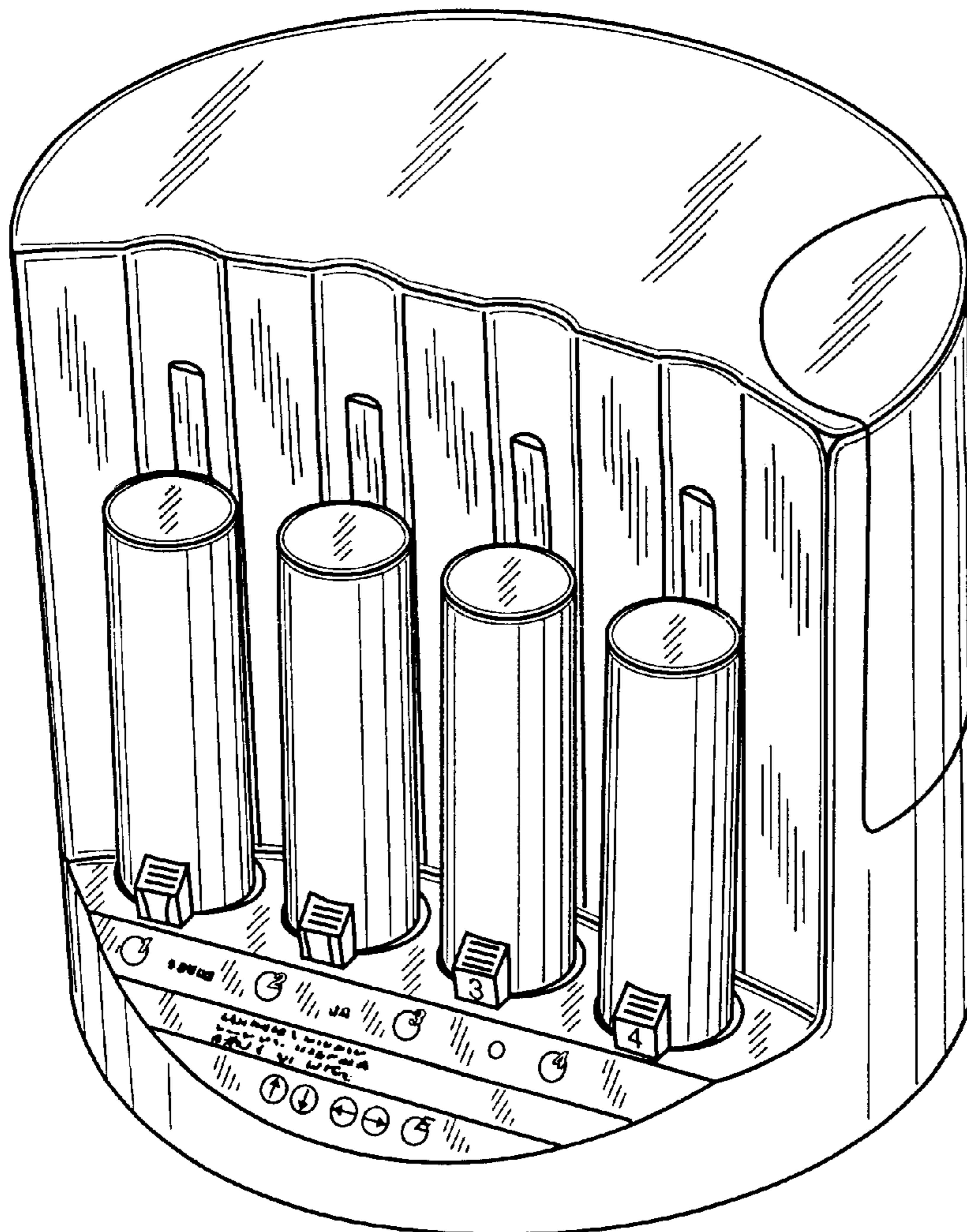


FIG. 1

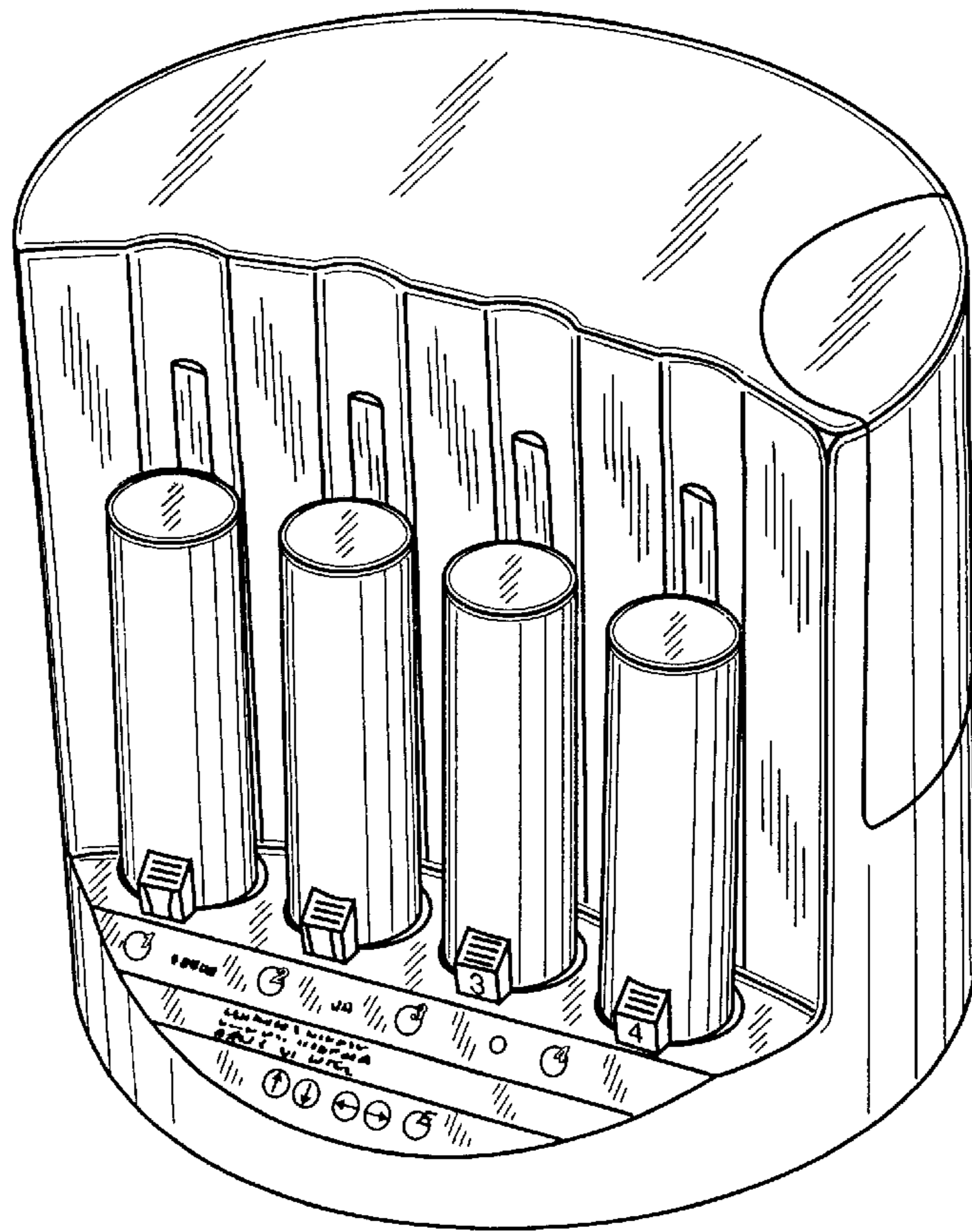


FIG. 2

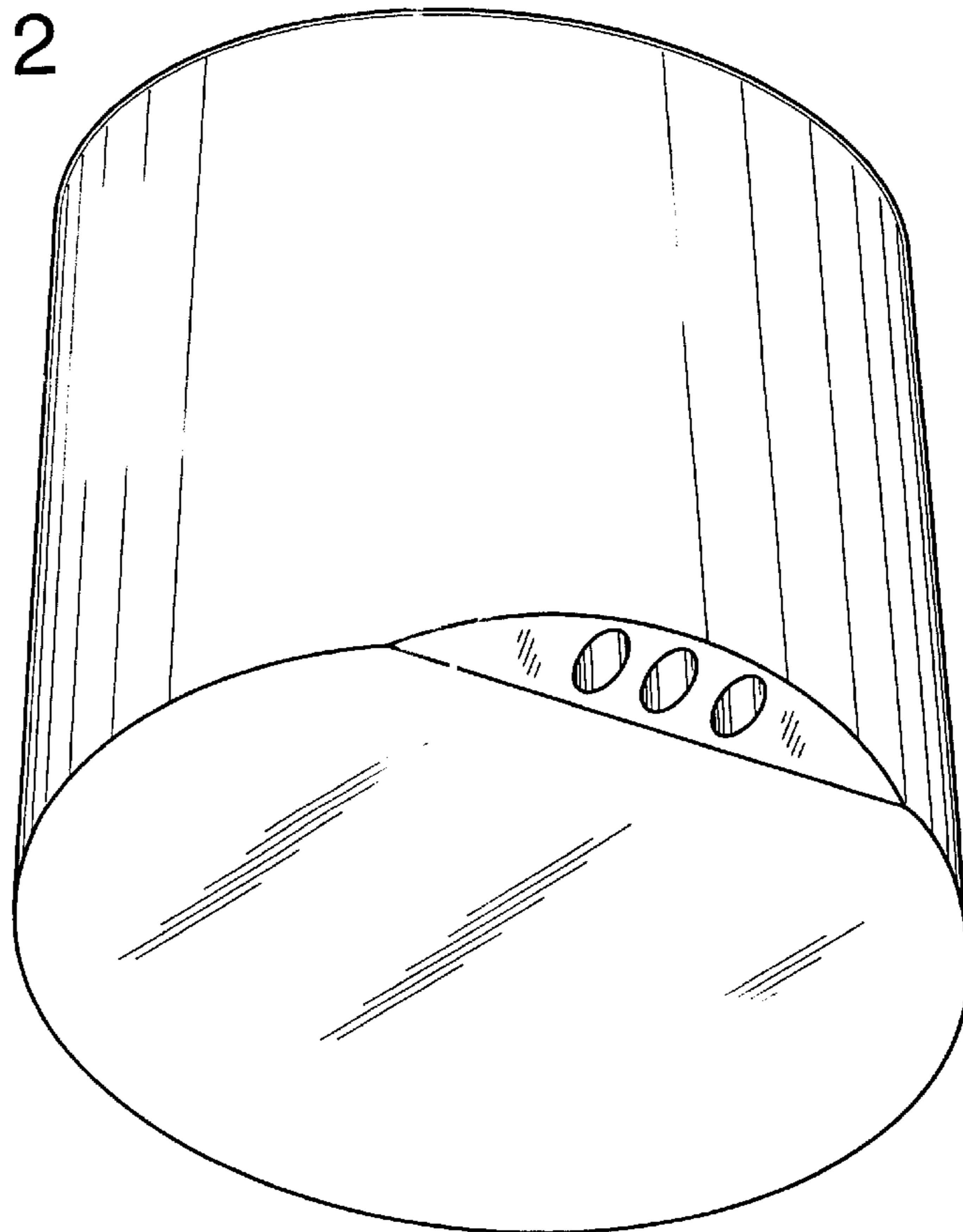


FIG. 3

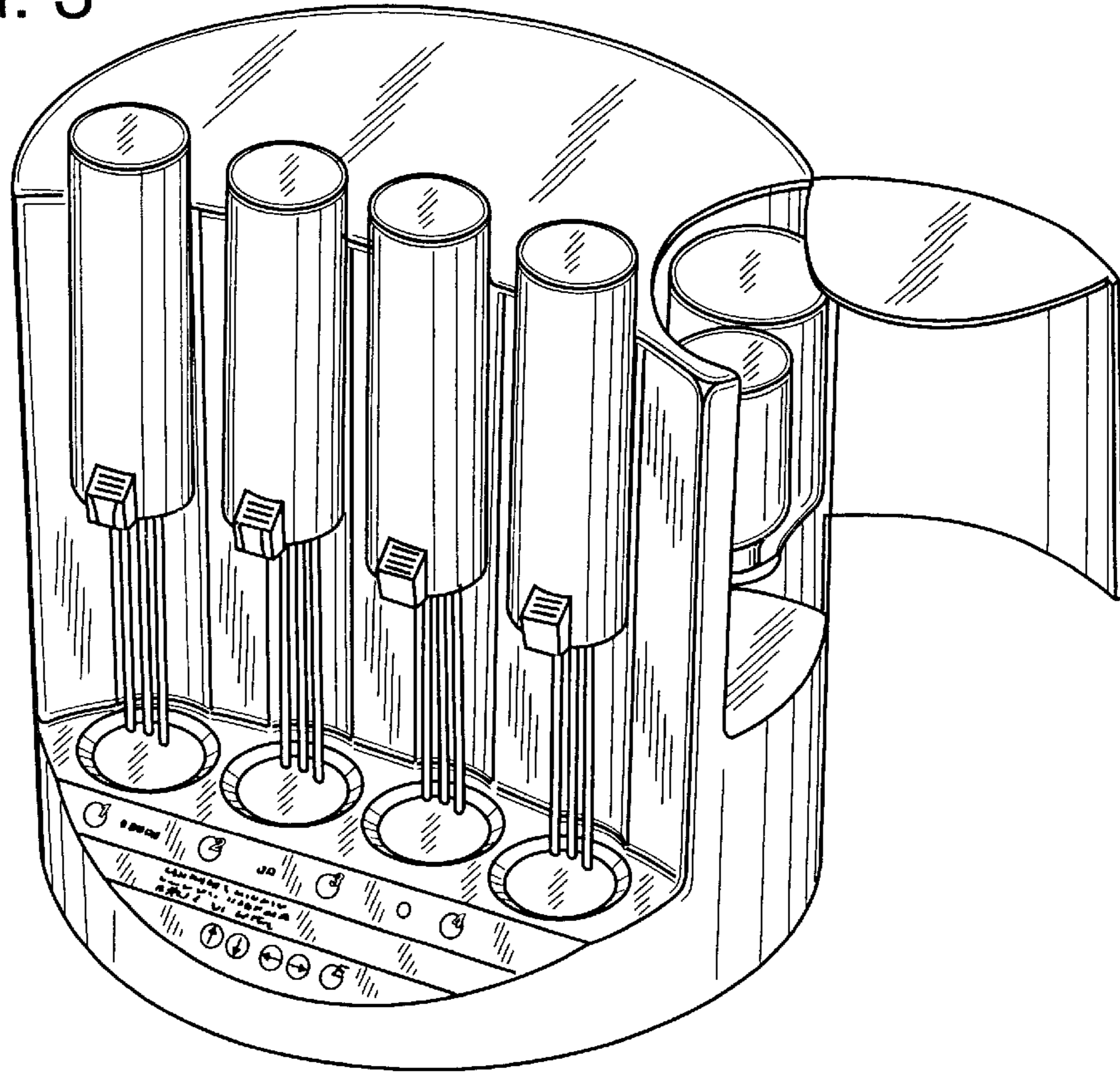


FIG. 4

