



US00D421307S

United States Patent [19]
Harmanoglu

[11] **Patent Number: Des. 421,307**

[45] **Date of Patent: ** Feb. 29, 2000**

[54] **SPECIMEN BAG**

5,352,041 10/1994 Fullerton et al. 383/3

[76] Inventor: **Hikmet Harmanoglu**, 179 Morgan Ave., Brooklyn, N.Y. 11237

Primary Examiner—Stella Reid
Assistant Examiner—I Simmons

[**] Term: **14 Years**

[57] **CLAIM**

[21] Appl. No.: **29/090,319**

The ornamental design for a specimen bag, as shown and described.

[22] Filed: **Jul. 6, 1998**

DESCRIPTION

[51] **LOC (6) Cl.** **24-04**

[52] **U.S. Cl.** **D24/216; D9/305; D24/118**

[58] **Field of Search** D24/216, 118;
D9/305, 306; 383/38, 39, 40, 41, 66; 435/289.1,
284, 280; 422/944

FIG. 1 is a perspective view of a specimen bag cabinet showing my new design;
FIG. 2 is a right side elevational view thereof;
FIG. 3 is a plan view thereof;
FIG. 4 is a rear elevational view thereof;
FIG. 5 is a front elevational view thereof;
FIG. 6 is a bottom view thereof; and,
FIG. 7 is an enlarged cross-sectional view thereof taken along line 7—7 of FIG. 1, the bag is shown broken at the bottom for ease of illustration.

[56] **References Cited**

U.S. PATENT DOCUMENTS

Re. 34,117	10/1992	Martin et al.	493/194
5,056,930	10/1991	Mestetsky	383/40 X
5,102,234	4/1992	Levy	383/38
5,108,194	4/1992	Ralen	383/38

1 Claim, 3 Drawing Sheets

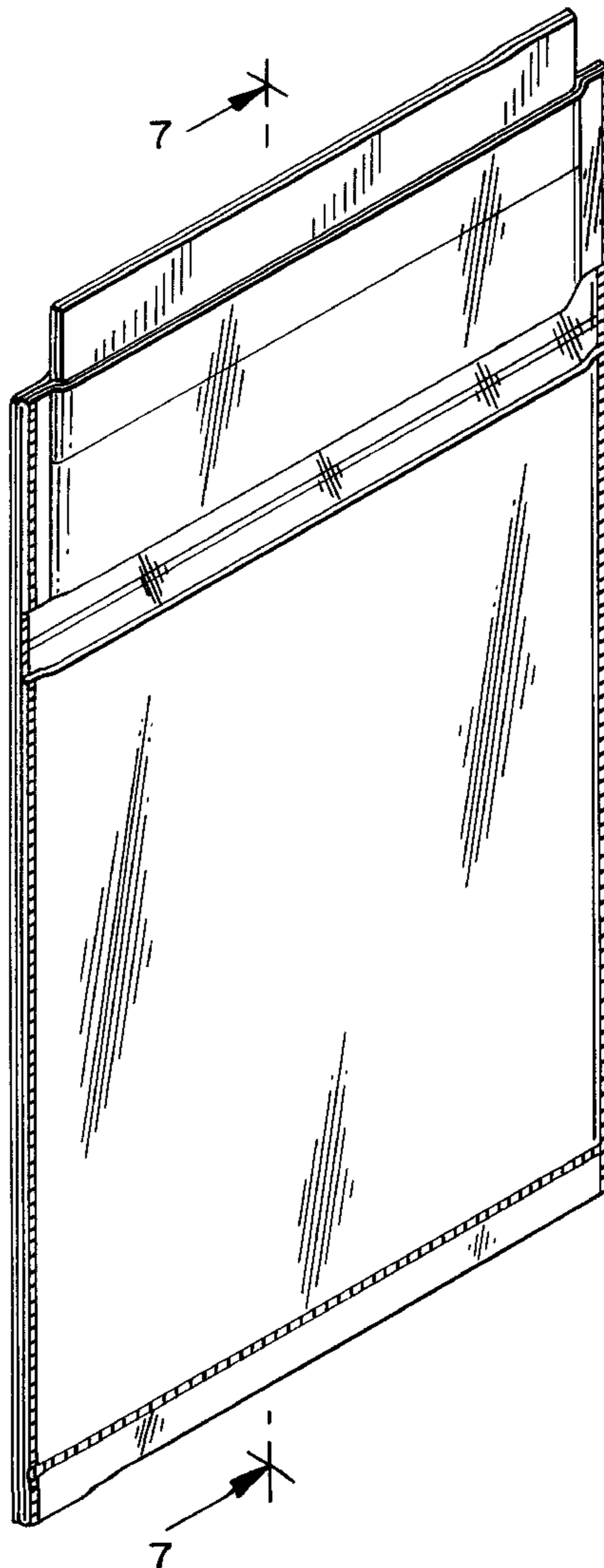


FIG. 1

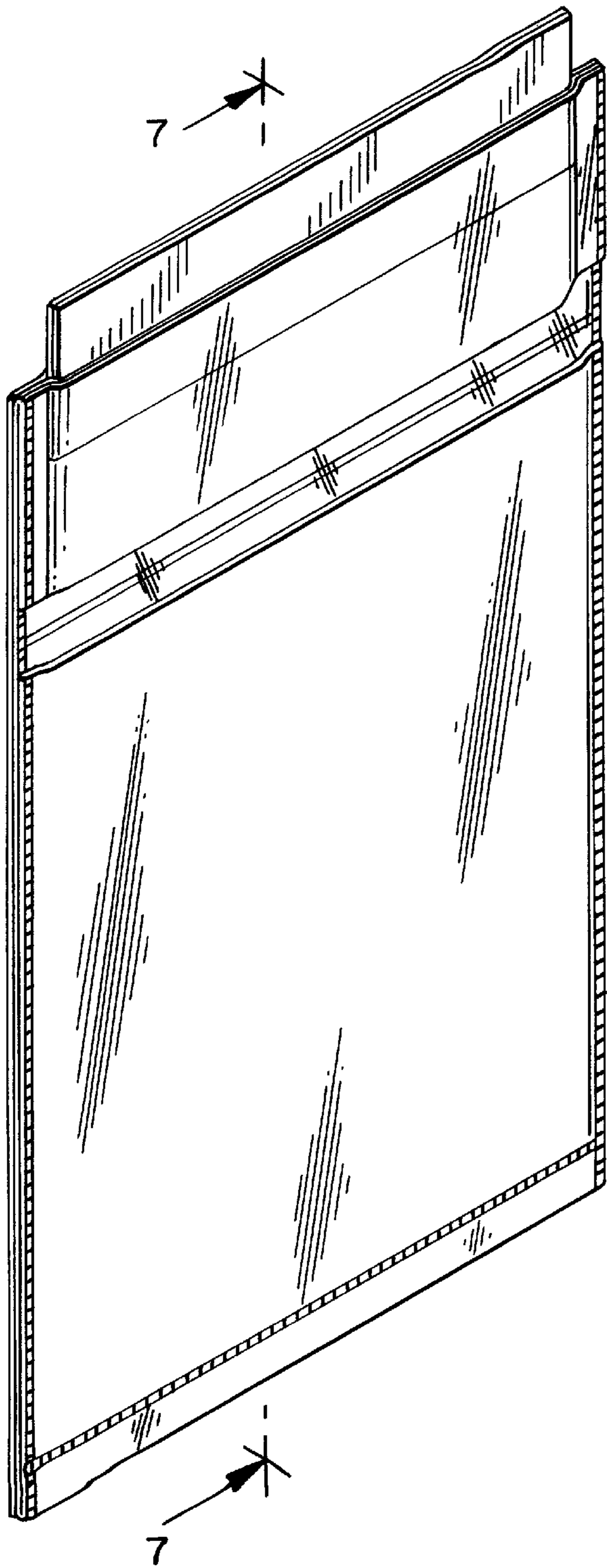


FIG. 2



FIG. 3

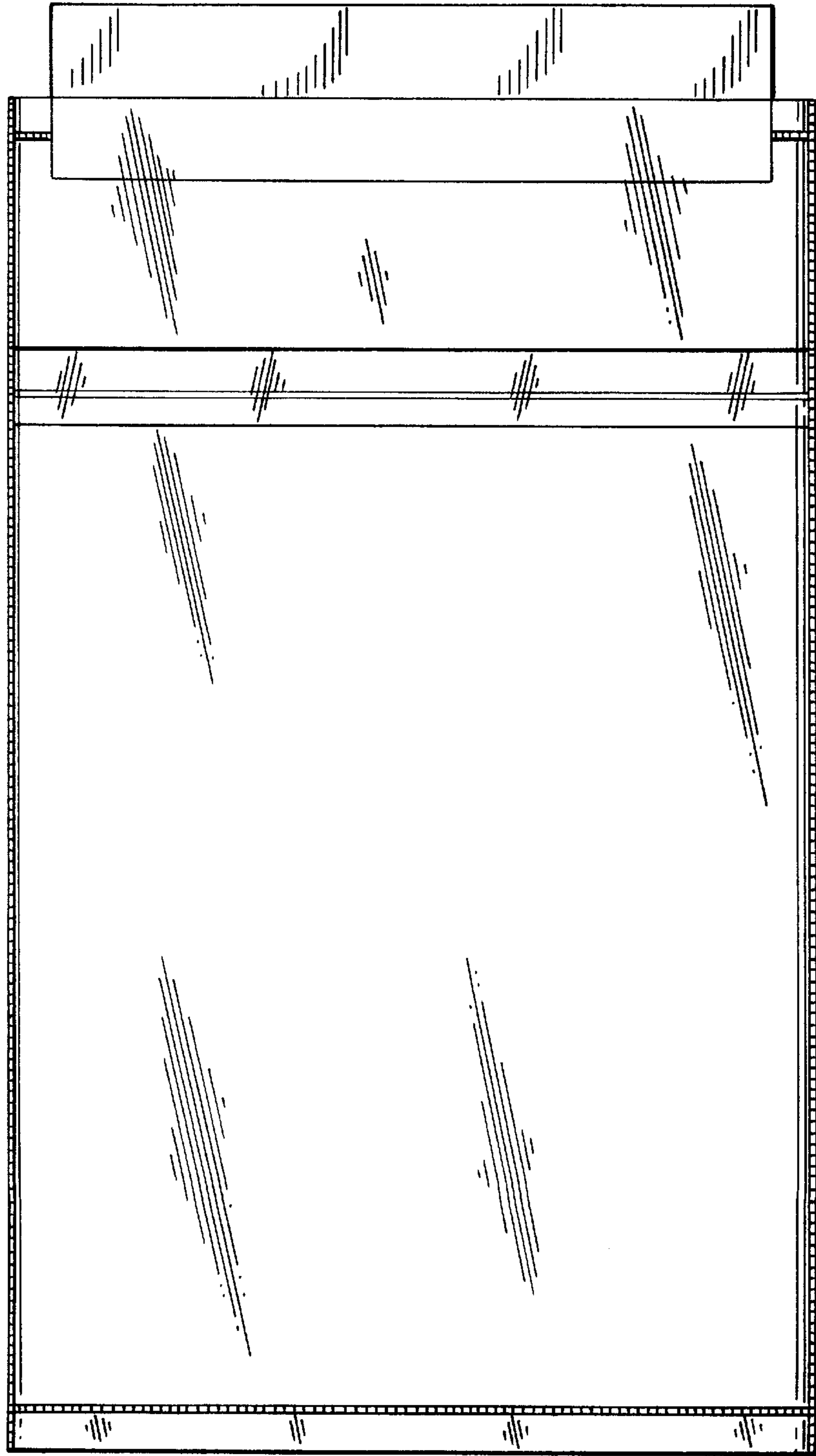
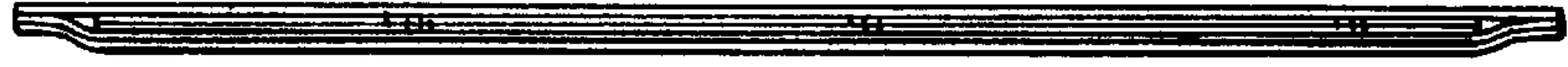


FIG. 4

FIG. 5

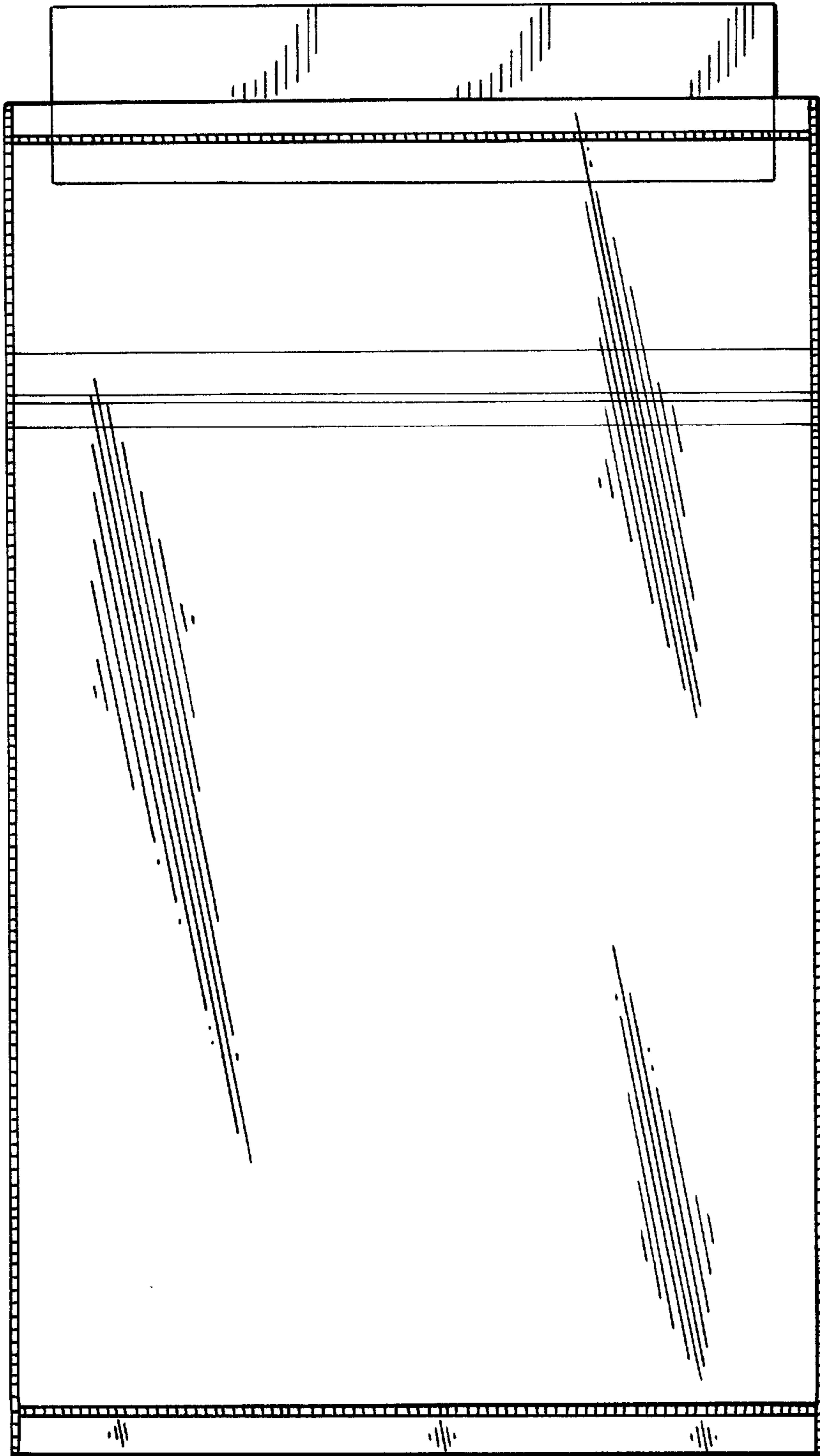


FIG. 7

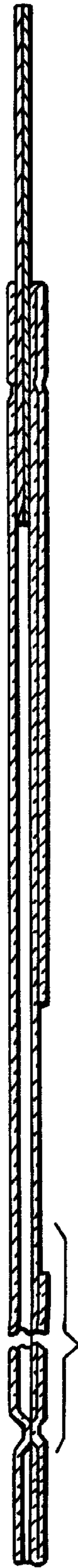


FIG. 6

