



US00D421302S

United States Patent [19]
Korteweg

[11] **Patent Number: Des. 421,302**

[45] **Date of Patent: ** Feb. 29, 2000**

[54] **SPONGE SPEAR FOR MICROSURGICAL PROCEDURES**

[75] Inventor: **George P. Korteweg**, Mystic, Conn.

[73] Assignee: **Ultracell Medical Technologies of Connecticut, Inc.**, North Stonington, Conn.

[**] Term: **14 Years**

[21] Appl. No.: **29/098,466**

[22] Filed: **Dec. 30, 1998**

[51] **LOC (6) Cl.** **24-02**

[52] **U.S. Cl.** **D24/119; D28/63; D28/7**

[58] **Field of Search** **D24/119; D28/7, D28/8, 63; 604/1, 2, 3, 364, 264, 369; 600/572**

[56] **References Cited**

U.S. PATENT DOCUMENTS

D. 249,364	9/1978	Julius	D24/119
5,855,214	1/1999	Henegham	604/1 X
5,954,682	9/1999	Petrus	604/1
5,958,176	7/1999	Nakatani	604/1

OTHER PUBLICATIONS

Ultracell Medical Technologies, Inc. (Ultracell Surgical Spears) Product Literature (1 page) ©98.

Katena Products, Inc., (K-Sponge Spears) Product Literature (1 page) Prior Art.

Merocel Corporation (Merocel Surgical Spear) Product Literature (1 page) Prior Art.

Primary Examiner—Stella Reid

Assistant Examiner—I Simmons

Attorney, Agent, or Firm—Ira S. Dorman

[57] **CLAIM**

The ornamental design for a sponge spear for microsurgical procedures, as shown and described.

DESCRIPTION

FIG. 1 is a perspective view of a sponge spear for microsurgical procedures showing my new design;

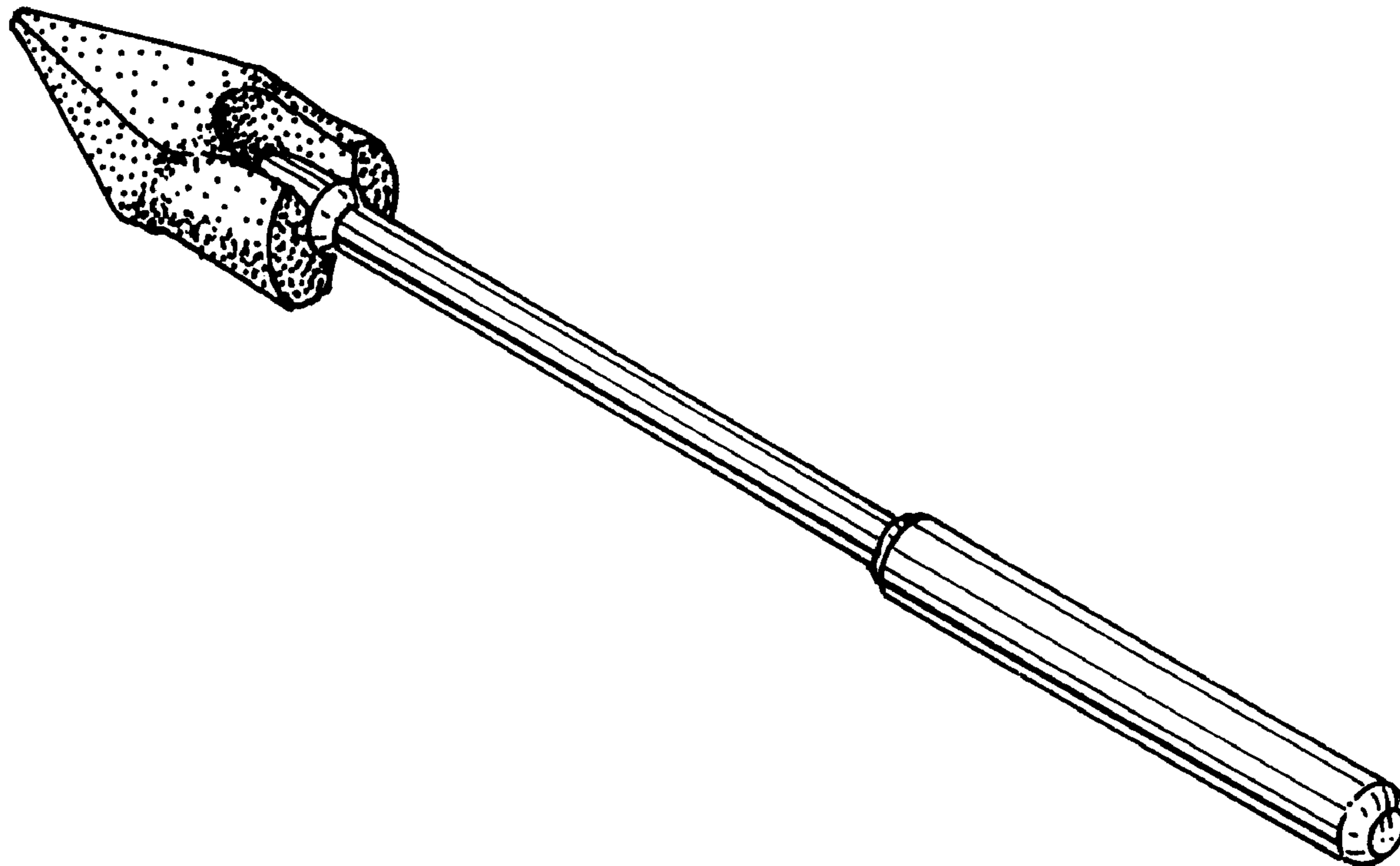
FIG. 2 is a side elevational view thereof, the opposite side elevational being a mirror image thereto;

FIG. 3 is a top plan view thereof, the bottom plan view being a mirror image thereto;

FIG. 4 is a front elevational view thereof; and,

FIG. 5 is a rear elevational view thereof.

1 Claim, 1 Drawing Sheet



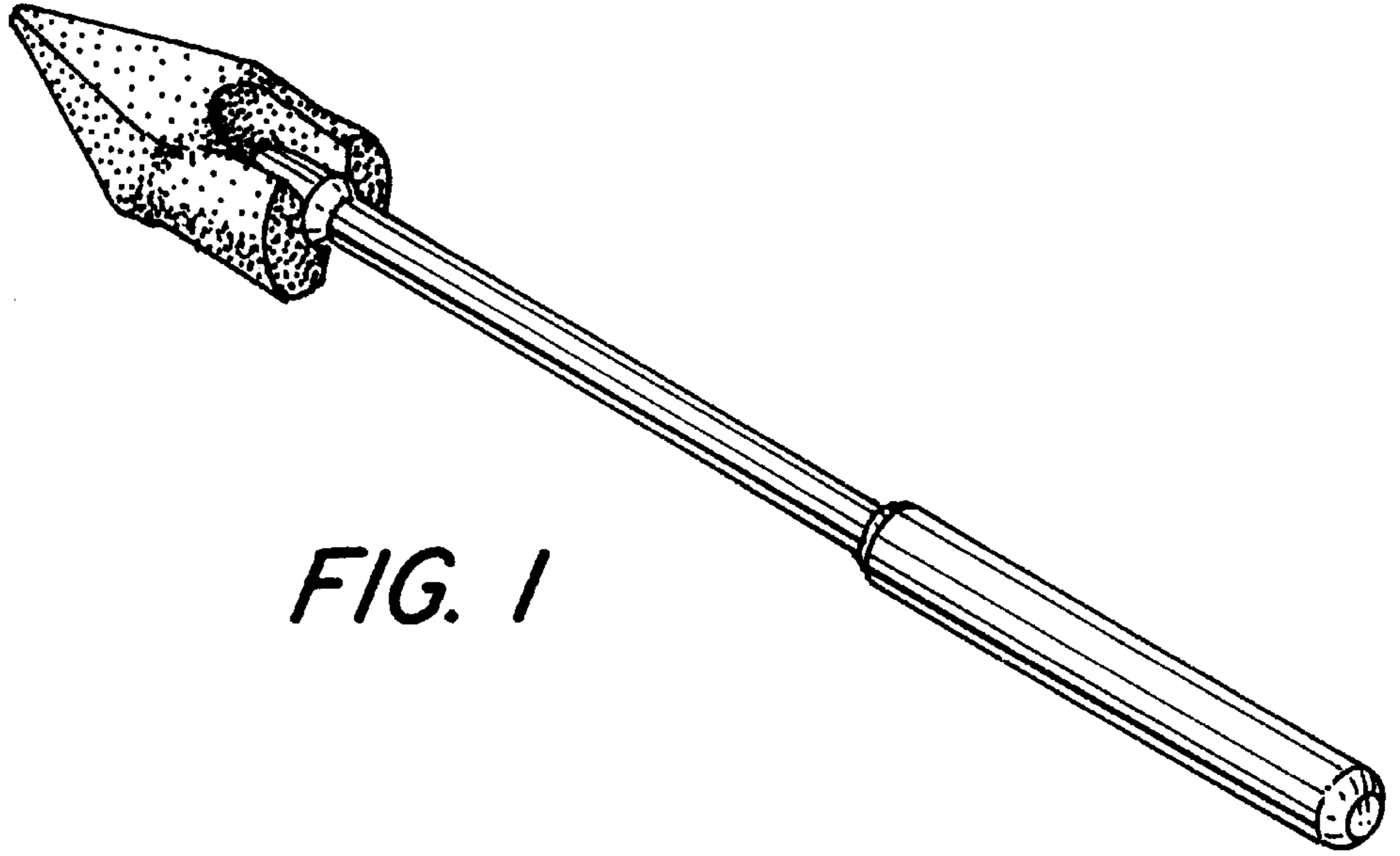


FIG. 1

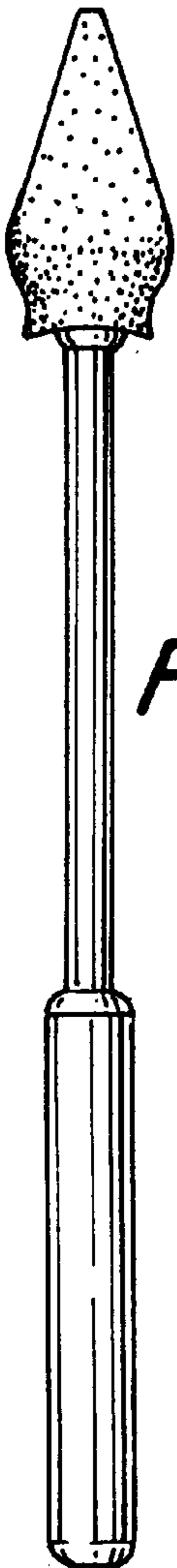


FIG. 2

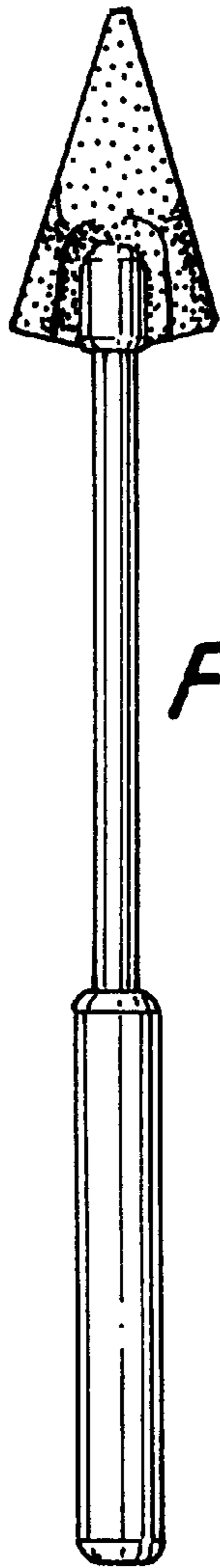


FIG. 3

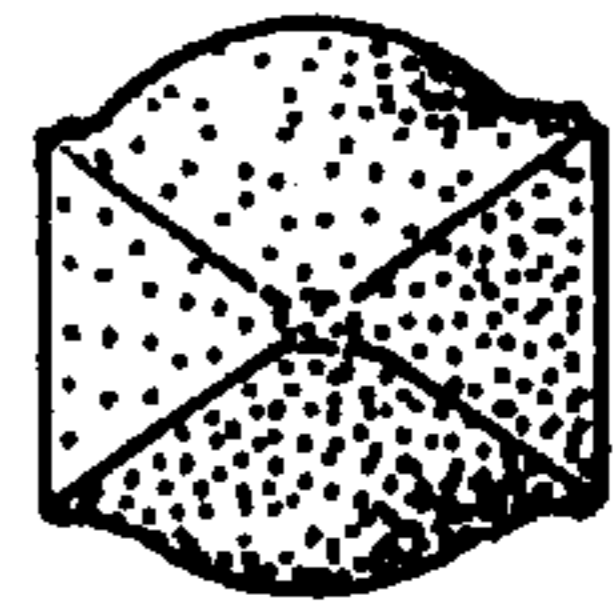


FIG. 4

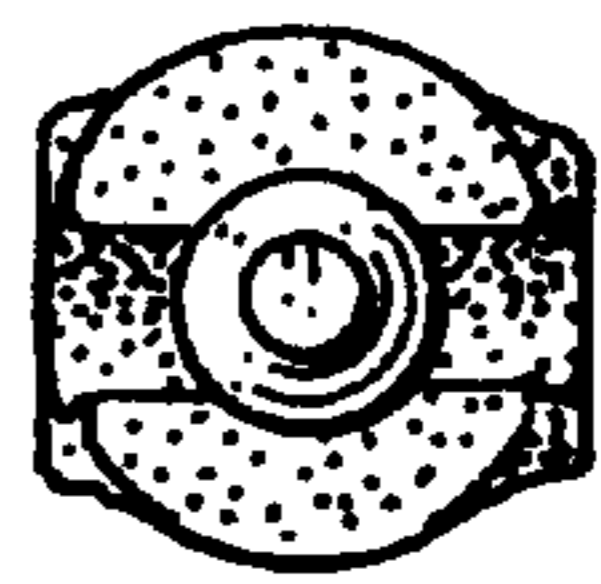


FIG. 5