



US00D421301S

United States Patent [19]

Reischel et al.

[11] Patent Number: Des. 421,301

[45] Date of Patent: ** Feb. 29, 2000

[54] **TWO POSITION PRESSURE DEMAND INLET PORT ADAPTOR**

[75] Inventors: **Joseph G. Reischel**, Woodbury;
Michael J. Bartholomew, Lake Elmo;
David P. Knivslund, North St. Paul, all of Minn.

[73] Assignee: **3M Innovative Properties Company**, St. Paul, Minn.

[**] Term: **14 Years**

[21] Appl. No.: **29/090,933**

[22] Filed: **Jul. 20, 1998**

[51] **LOC (6) Cl.** **29-02**

[52] **U.S. Cl.** **D24/110.6; D24/110**

[58] **Field of Search** **D24/110.6, 110.5, D24/110.4; 128/201.22, 206.15, 207.16, 206.17, 206.12, 205.25**

[56] **References Cited**

U.S. PATENT DOCUMENTS

4,373,520 2/1983 Arbique 128/206.15 X
5,224,473 7/1993 Bloomfield 128/206.17 X

OTHER PUBLICATIONS

- Pro-Tech Cosmo™ product literature (May 1997).
- Willson Safety Products 6000 Series Supplied Air Line product literature.
- North Chemical Protection product literature.
- Kasco Venus product literature.
- Survivair Air Purifying Respirators product literature.
- LifeAir™ 1500 product literature.
- Cabot Safety AOSafety™ Respiratory Products product literature.
- 3M™ Continuous Flow Systems Marix product literature (Jun. 1998).
- ISI Asbestos Respiratory Protection product literature.
- Omnistar™ Respirator System product literature.

Primary Examiner—Stella Reid
Assistant Examiner—I Simmons
Attorney, Agent, or Firm—Karl G. Hanson

[57] **CLAIM**

The ornamental design for a two position pressure demand inlet port adaptor, as shown and described.

DESCRIPTION

FIG. 1 is a perspective view of a two position pressure demand inlet port adaptor, showing the new design.

FIG. 2 is a front elevational view thereof.

FIG. 3 is a rear elevational view thereof.

FIG. 4 is a right-side elevational view thereof.

FIG. 5 is a left-side elevational view thereof.

FIG. 6 is a top plan view thereof.

FIG. 7 is a bottom plan view thereof.

FIG. 8 is a perspective view of a second embodiment of a two position pressure demand inlet port adaptor, showing the new design.

FIG. 9 is a front elevational view of the second embodiment shown in FIG. 8. The rear right side, left side, bottom and top elevational views are the same as those corresponding views illustrated in reference to the first embodiment.

FIG. 10 is a perspective view of a third embodiment of a two position pressure demand inlet port adaptor, showing the new design.

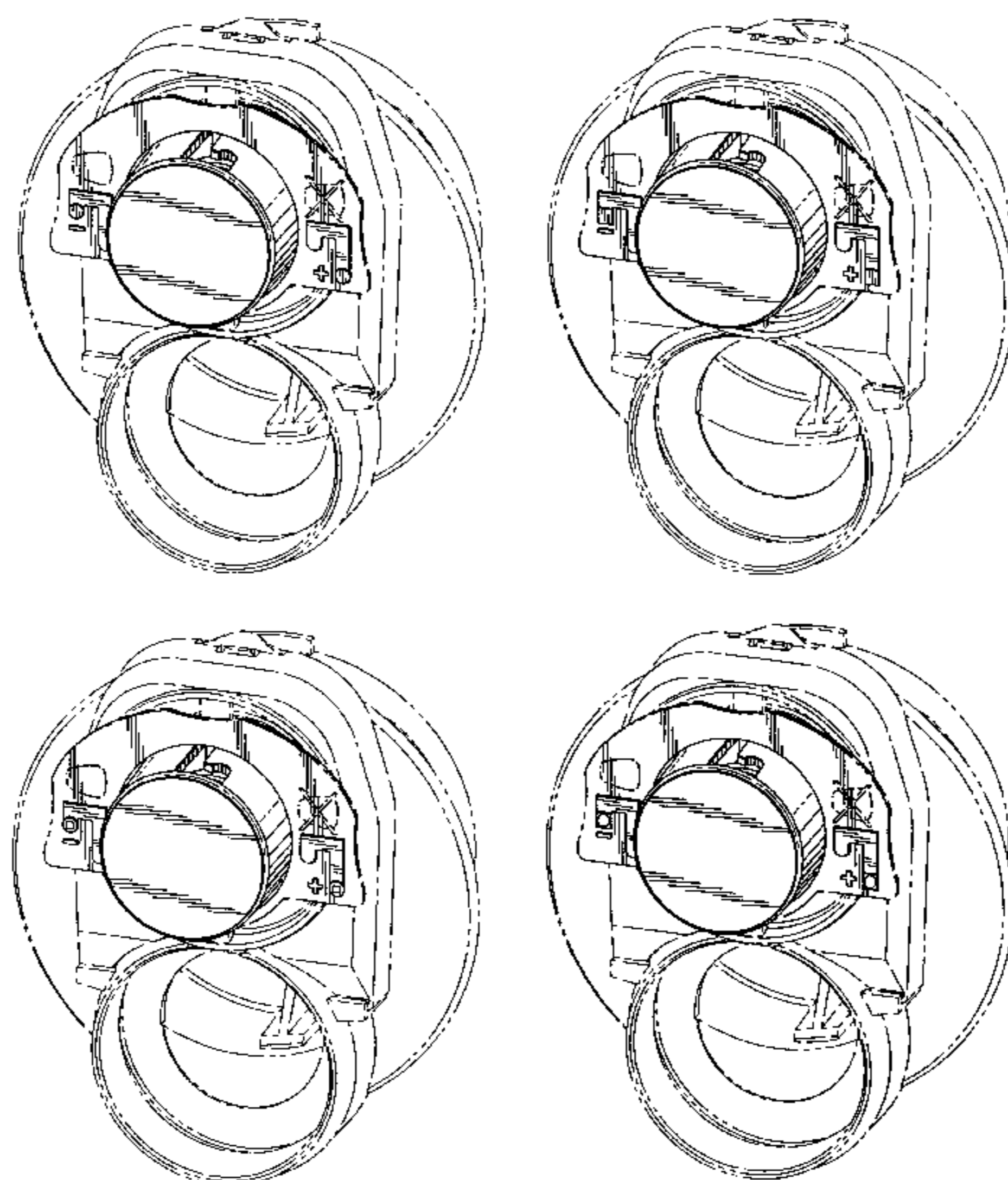
FIG. 11 is a front elevational view of the third embodiment shown in FIG. 10. The rear right side, bottom and top elevational views are the same as those corresponding views illustrated in reference to the first embodiment.

FIG. 12 is a perspective view of a fourth embodiment of a two position pressure demand inlet port adaptor, showing the new design; and,

FIG. 13 is a front elevational view of the fourth embodiment shown in FIG. 12. The rear right side, left side, bottom and top elevational views are the same as those corresponding views illustrated in reference to the first embodiment.

The broken lines shown in the drawings form no part of the claimed design. The shading shown in the drawings is provided merely to indicate the contour of the design; it is not intended to be indicative of any particular texture.

1 Claim, 7 Drawing Sheets



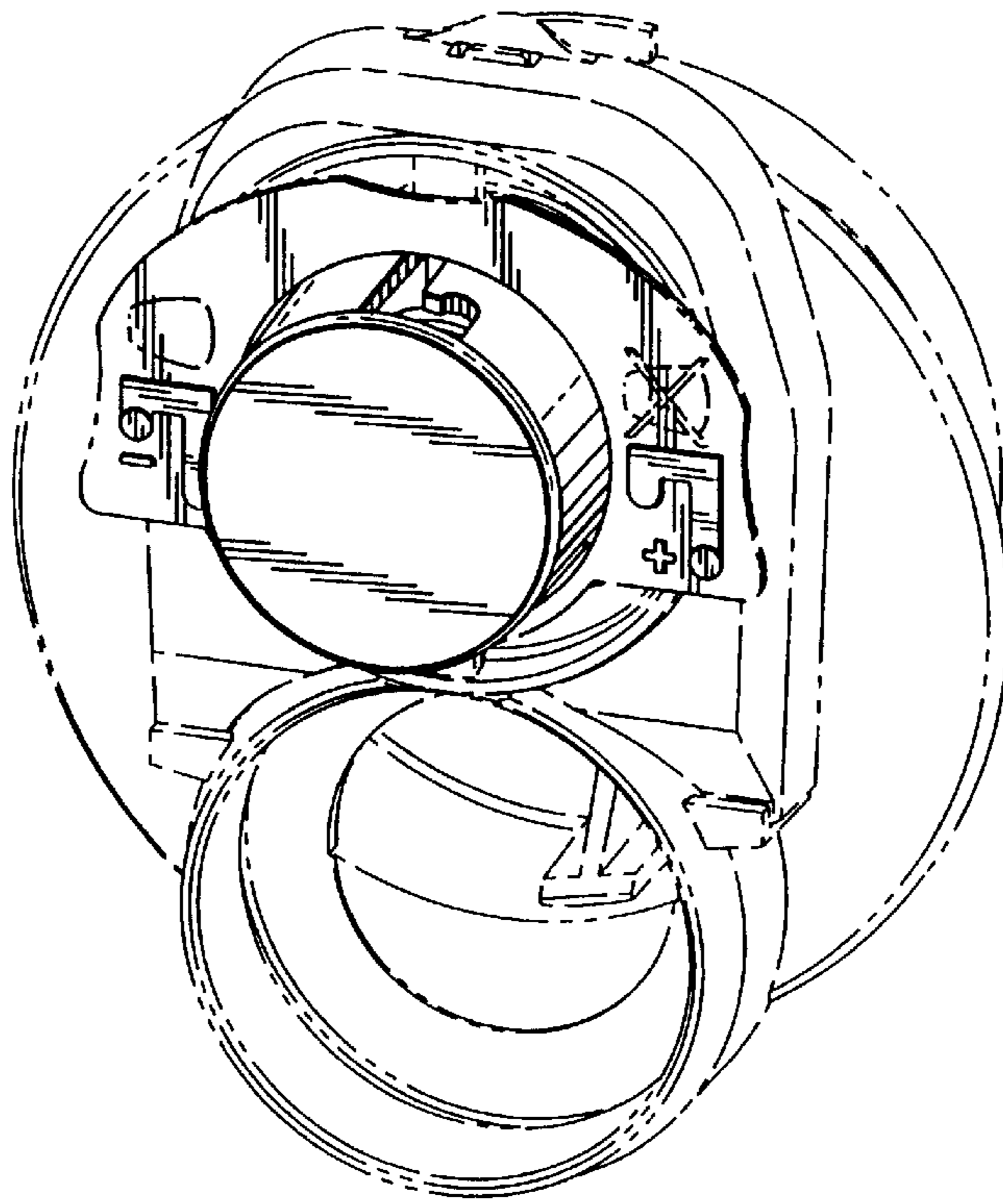


Fig. 1

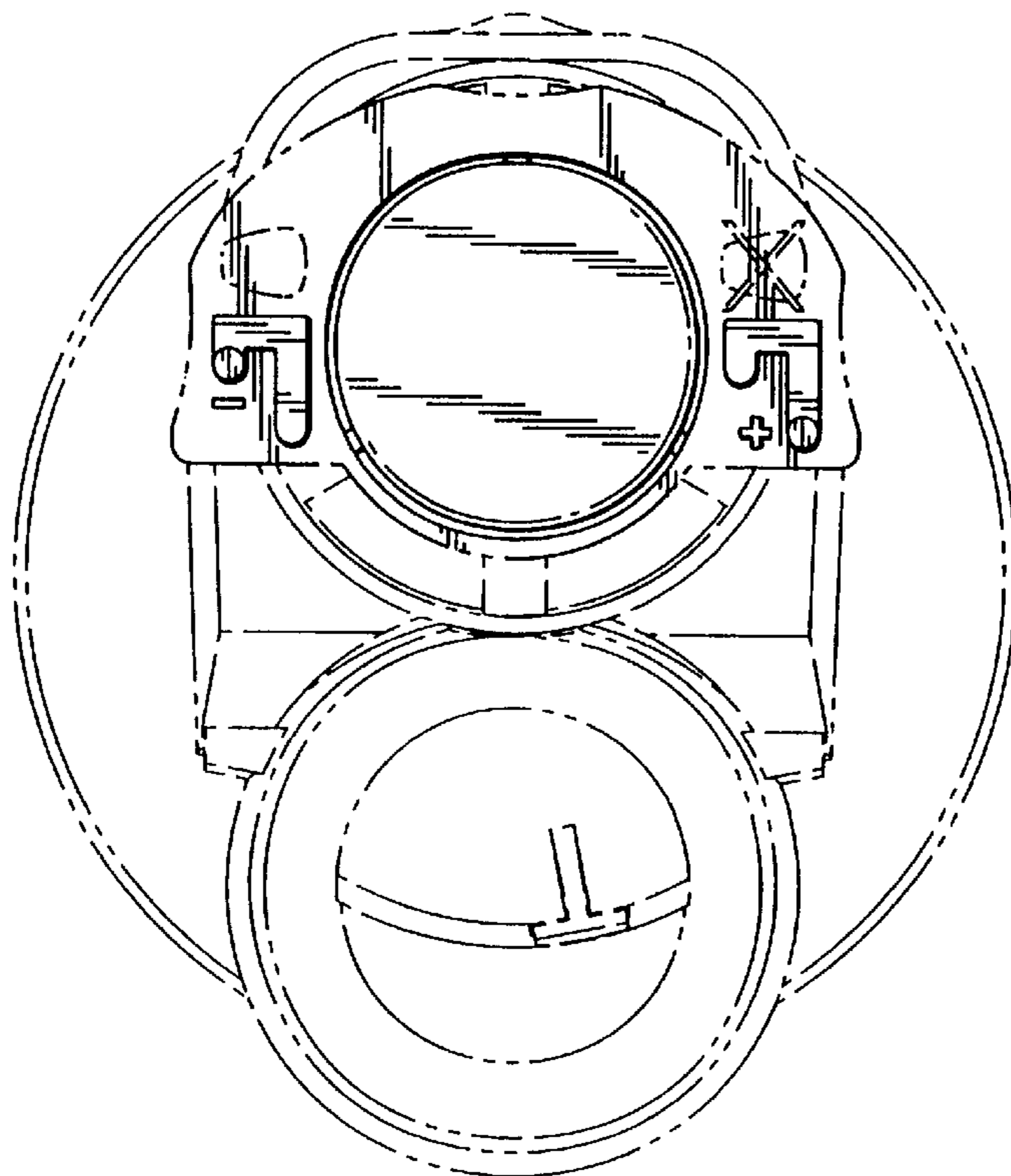


Fig. 2

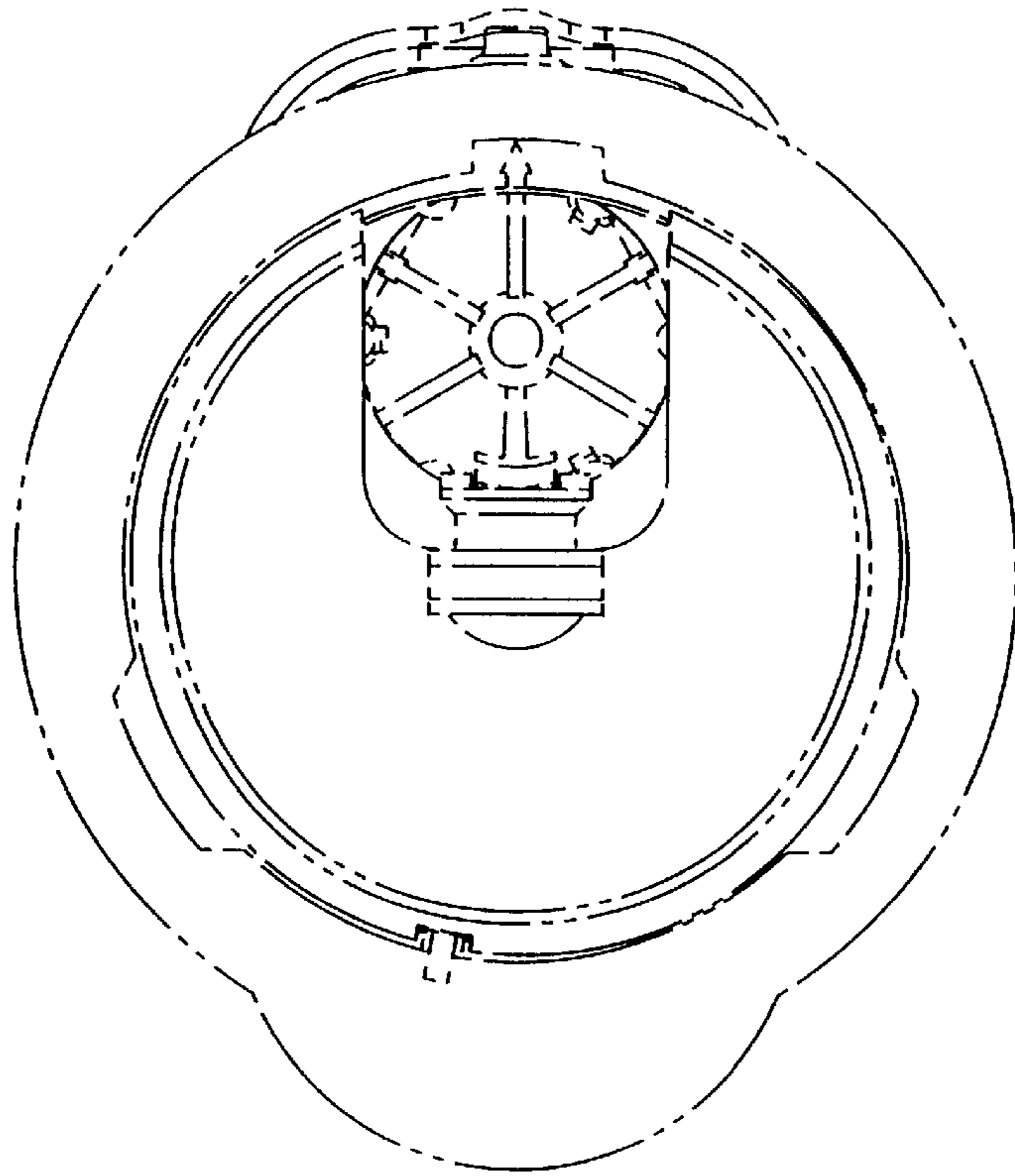


Fig. 3

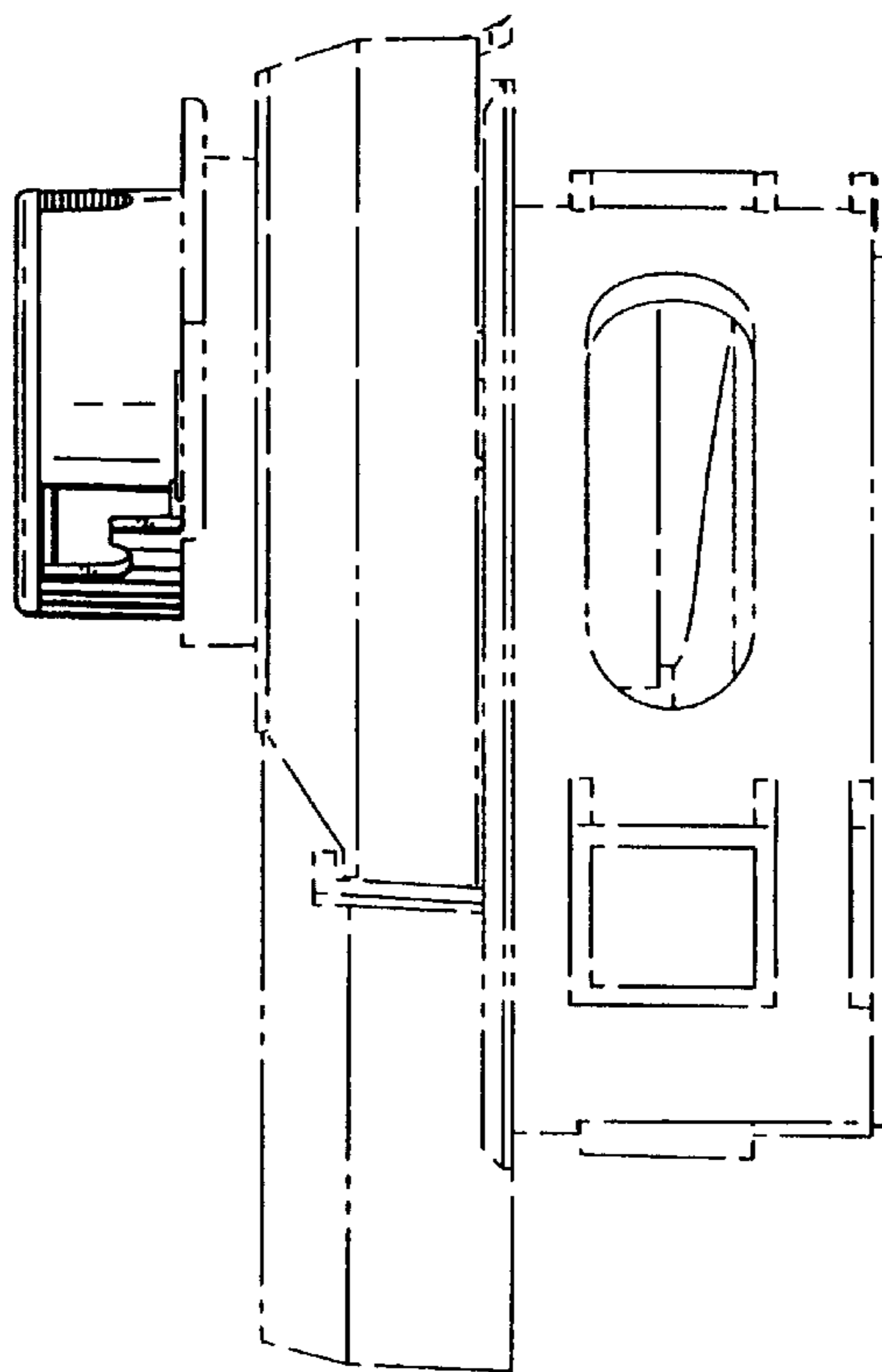


Fig. 4

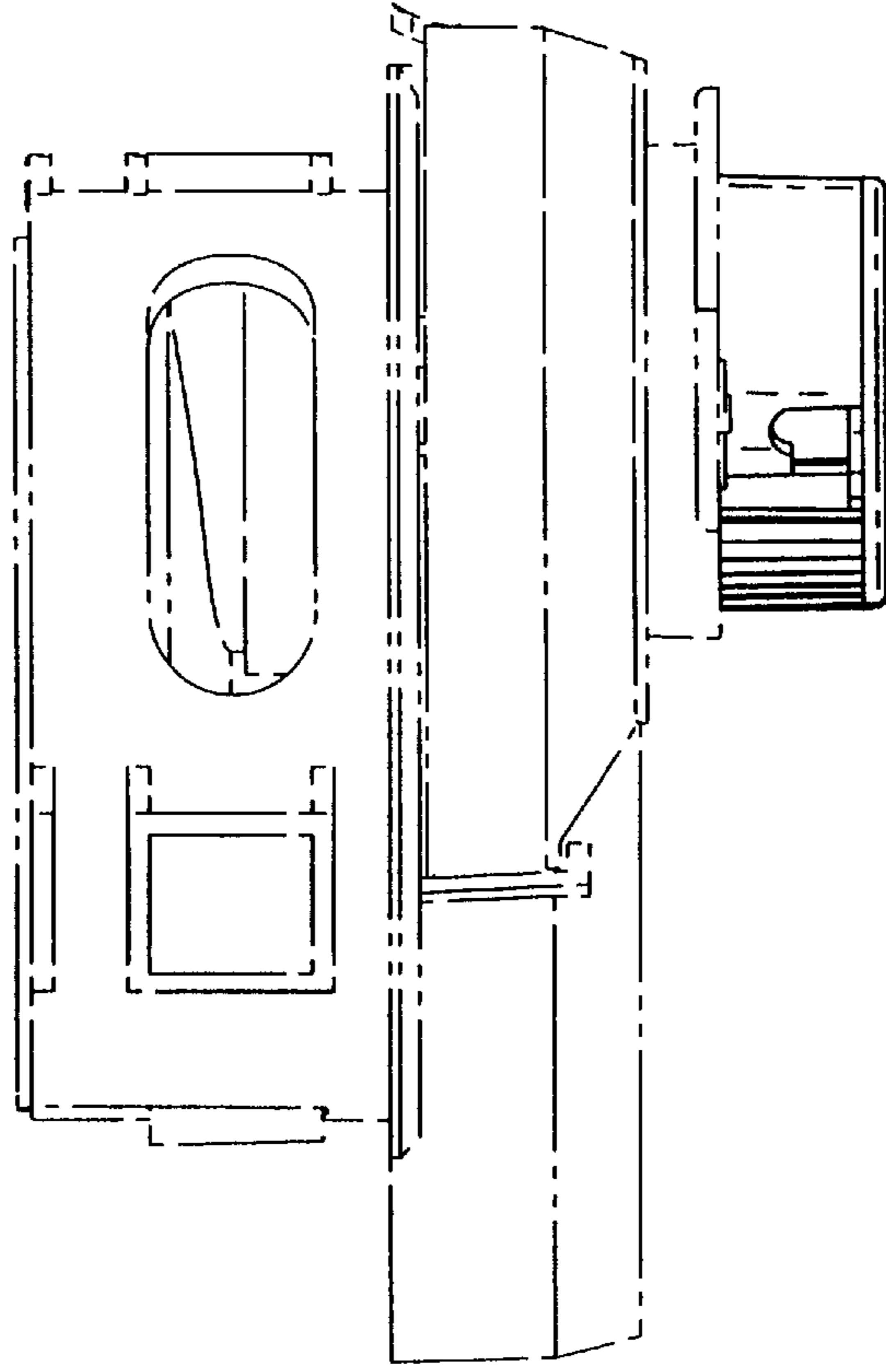


Fig. 5

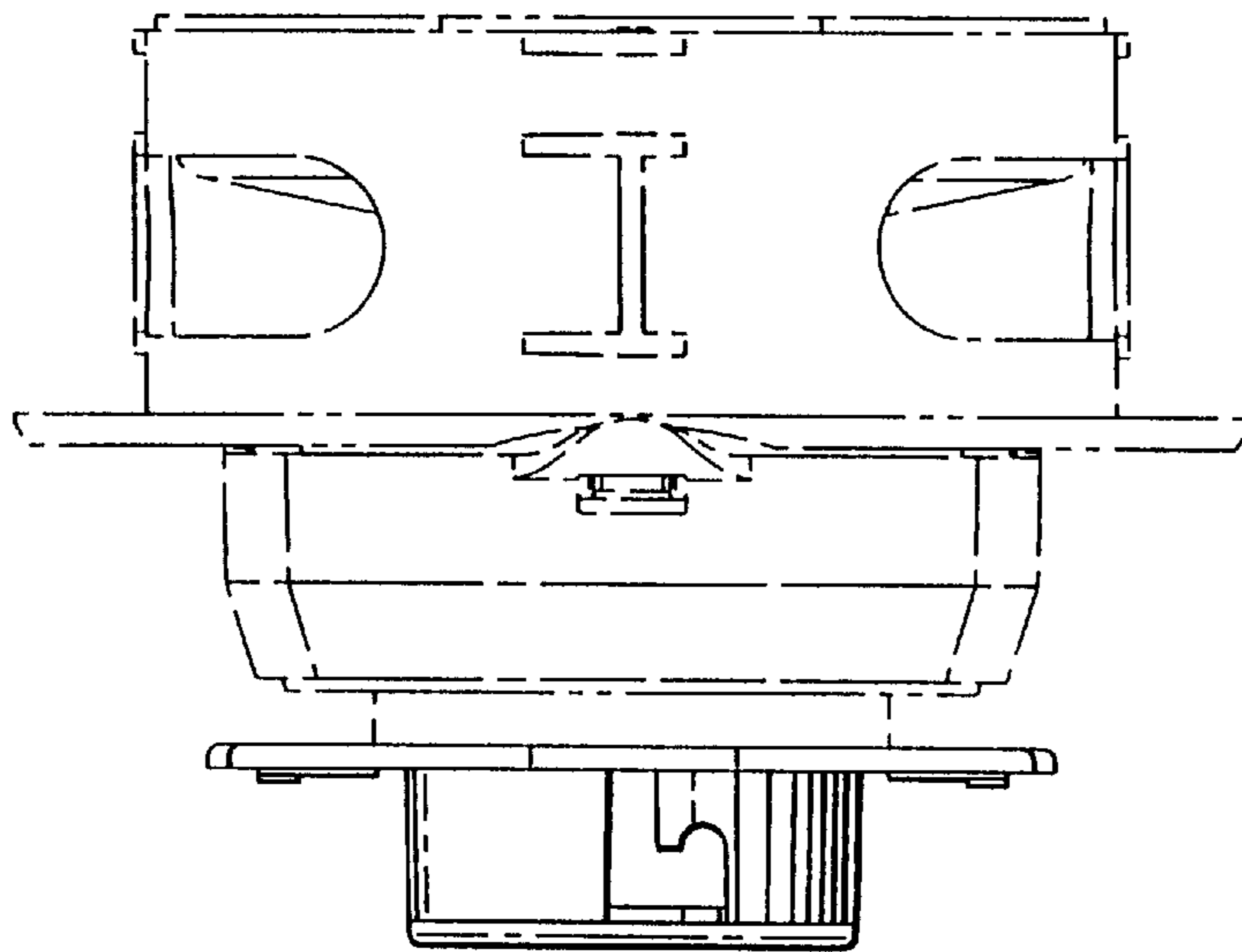


Fig. 6

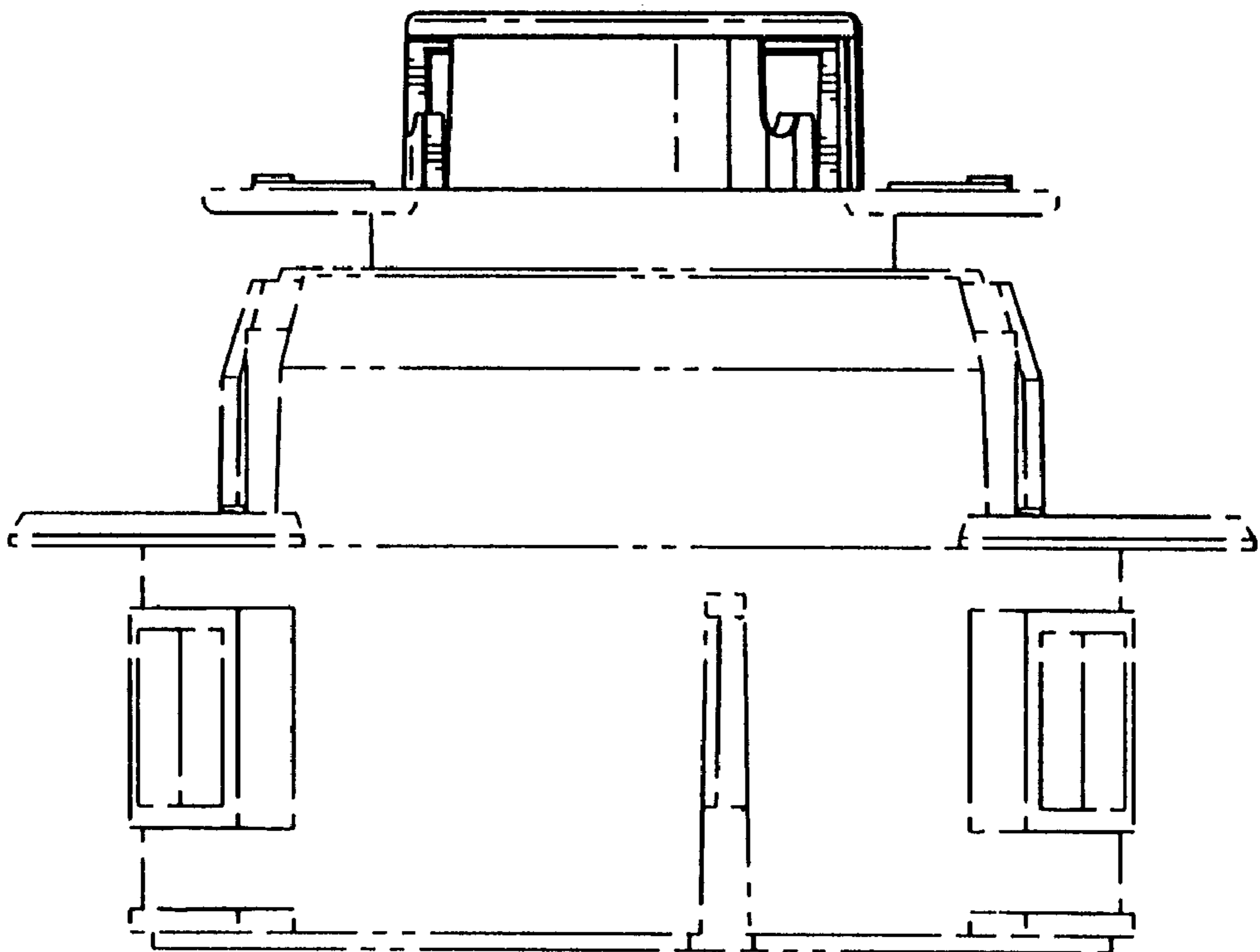


Fig. 7

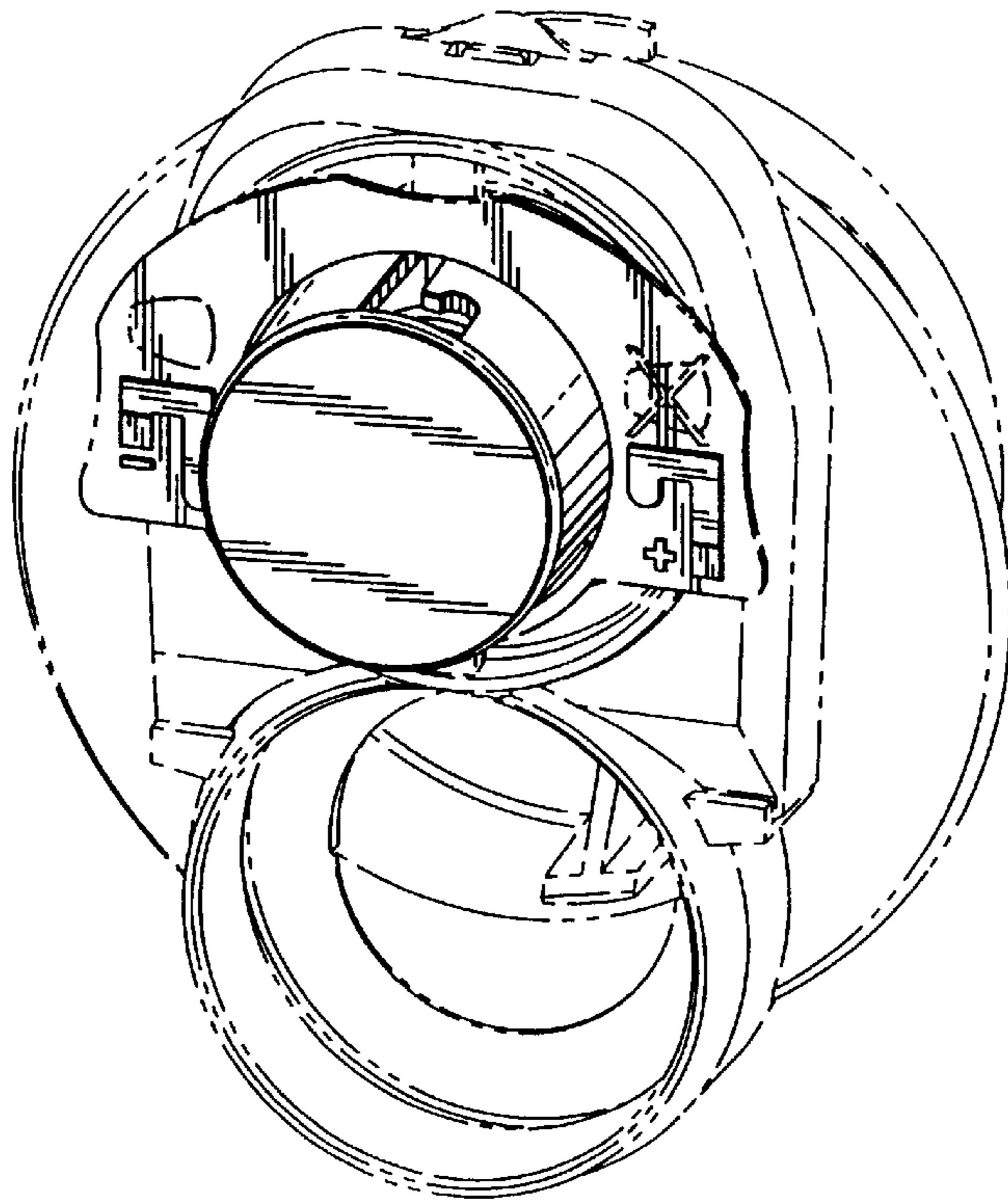


Fig. 8

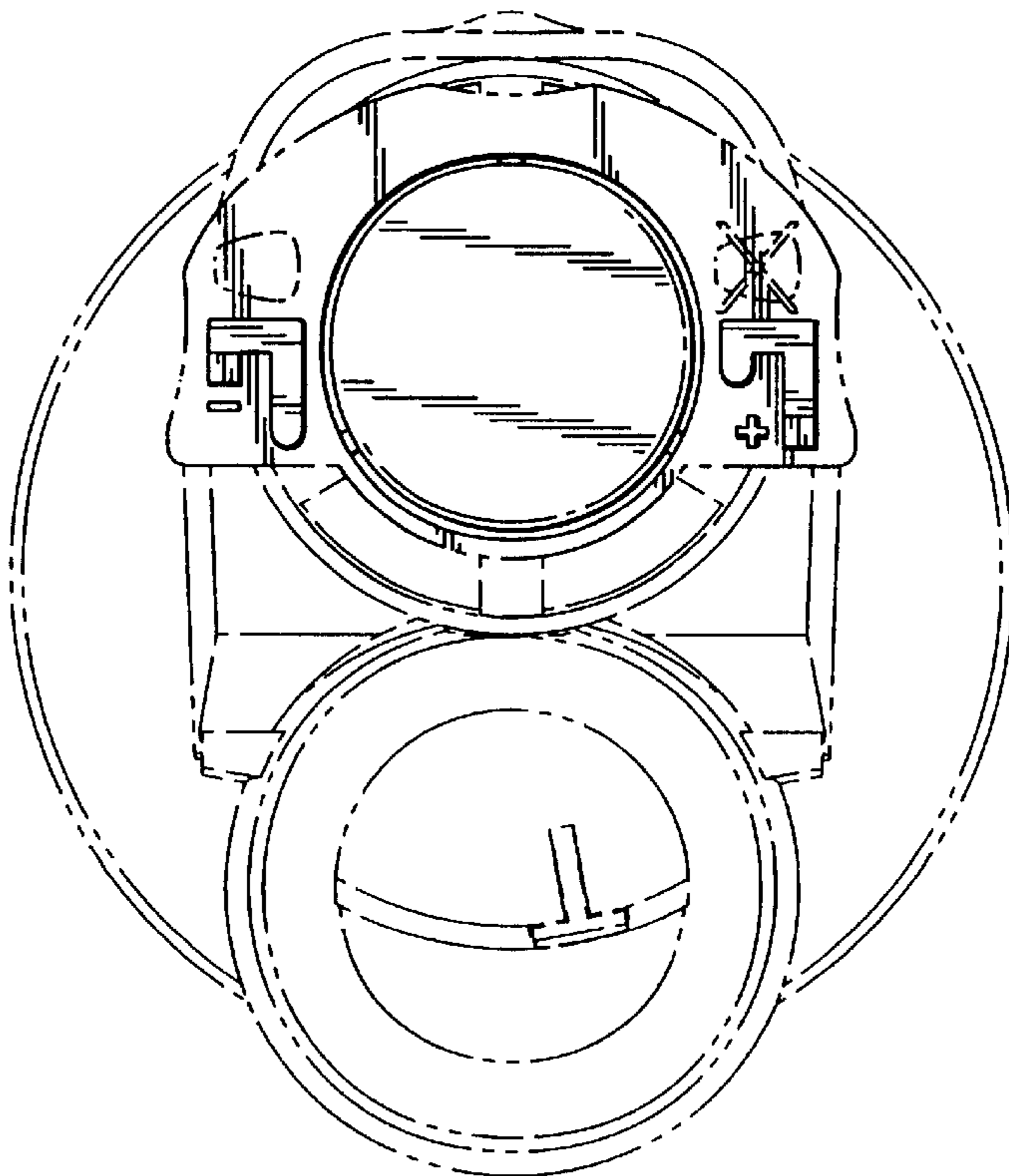


Fig. 9

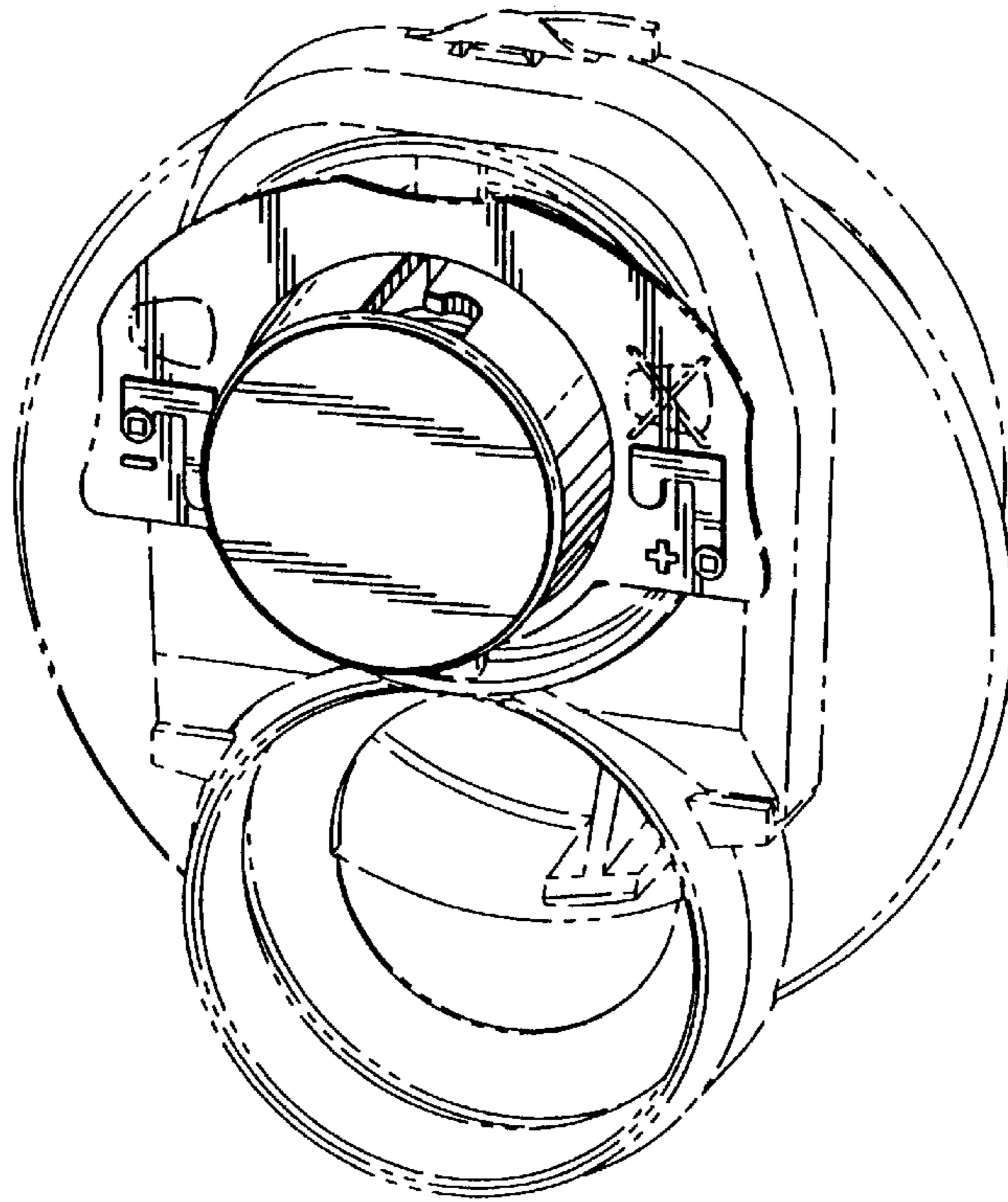


Fig. 10

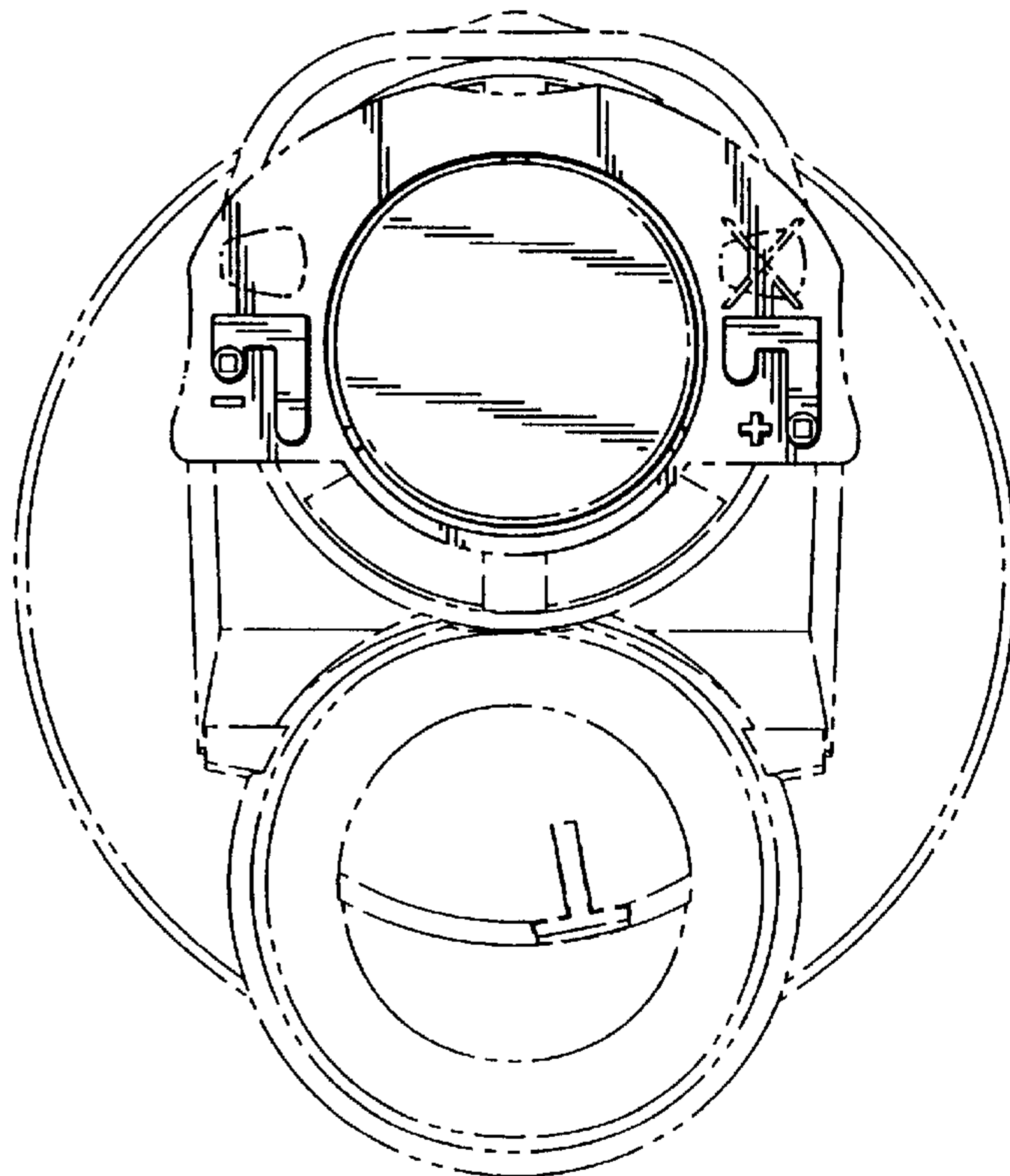


Fig. 11

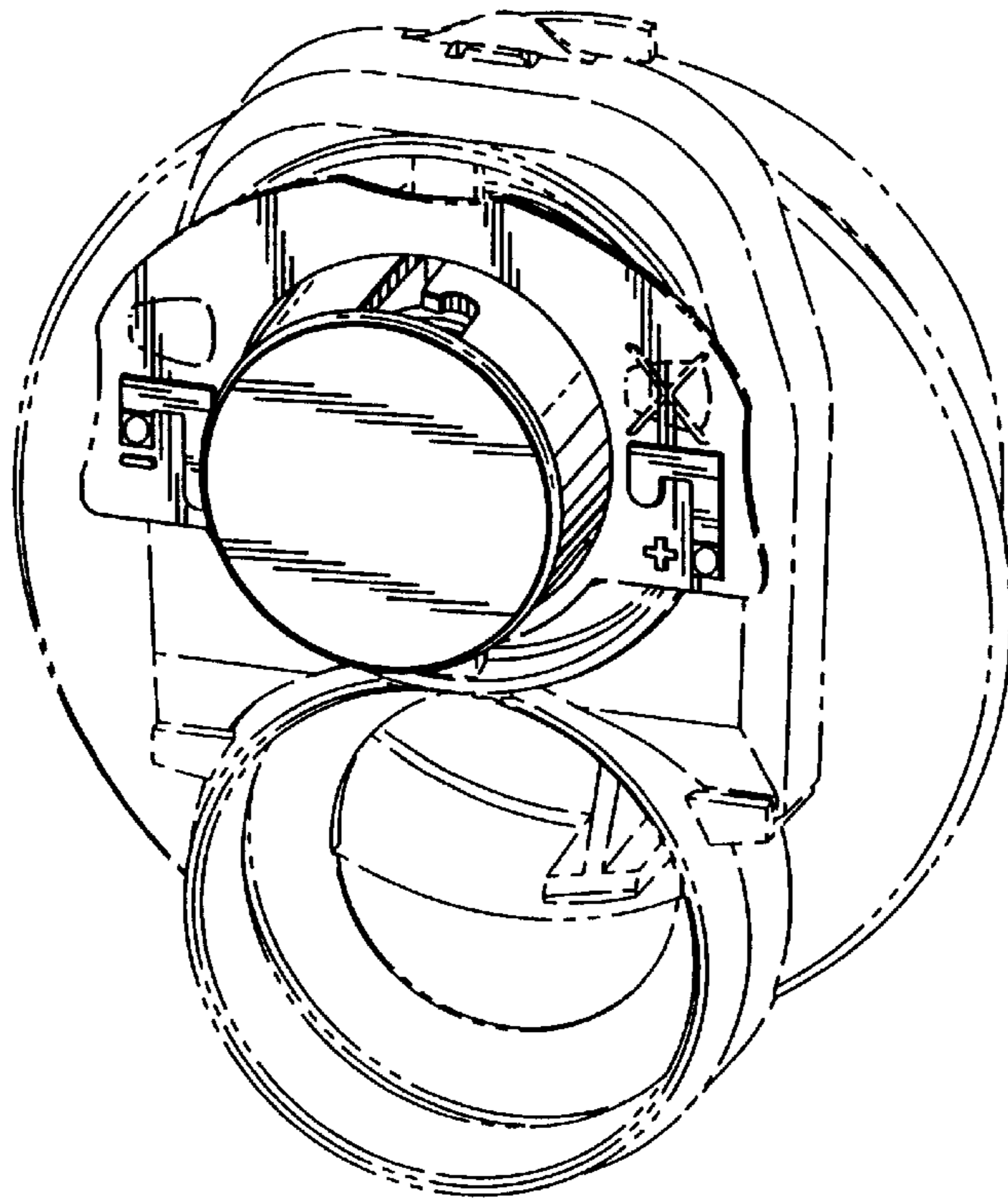


Fig. 12

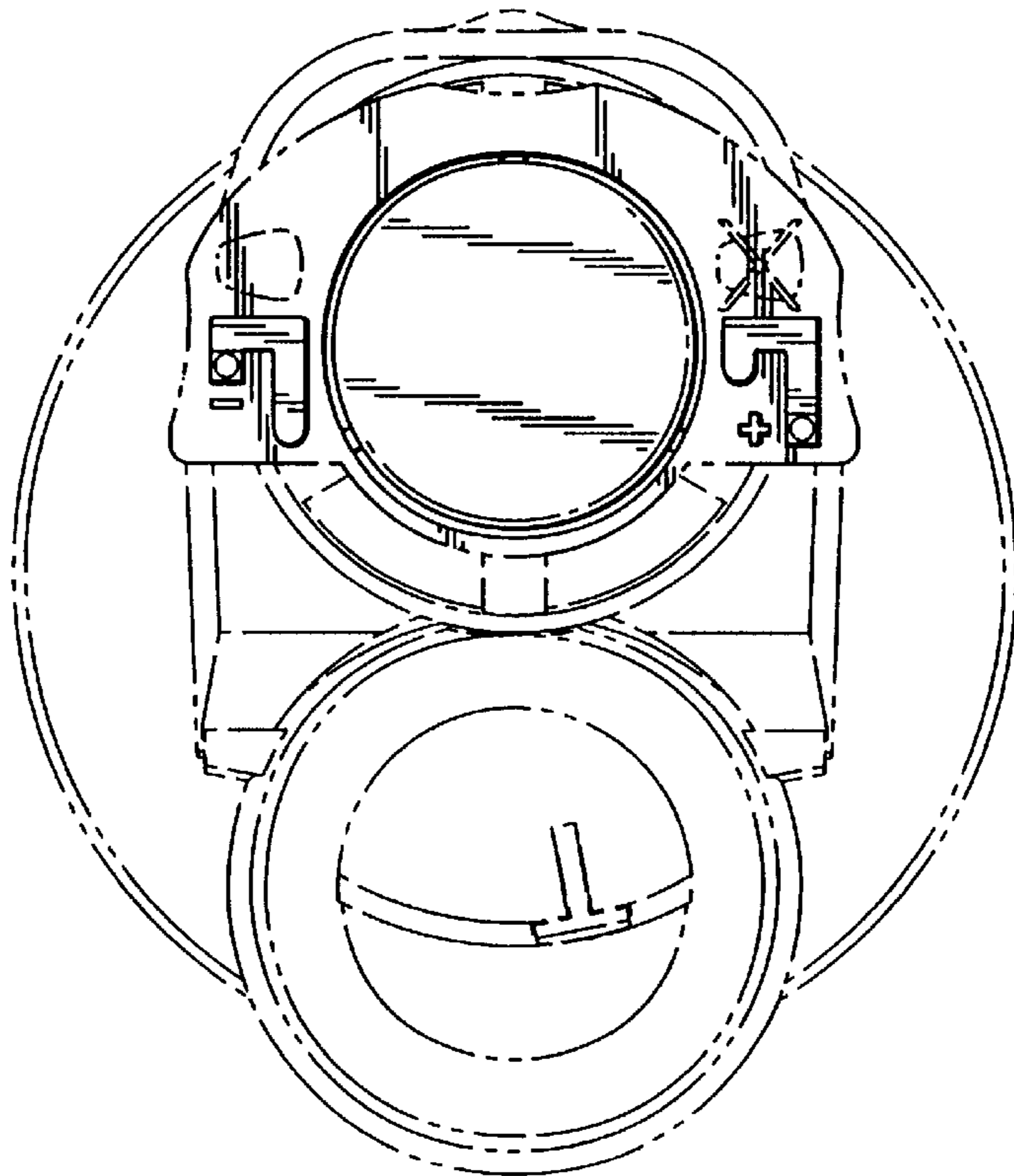


Fig. 13

UNITED STATES PATENT AND TRADEMARK OFFICE
CERTIFICATE OF CORRECTION

PATENT NO. : Des. 421,301
DATED : February 29, 2000
INVENTOR(S) : Joseph G. Reischel et al.

It is certified that error appears in the above-identified patent and that said Letters Patent is hereby corrected as shown below:

In the Description, the paragraph beginning "FIG. 11", second line, insert --left side-- between "side," and "bottom"

Signed and Sealed this
Sixth Day of February, 2001

Attest:



Q. TODD DICKINSON

Attesting Officer

Director of Patents and Trademarks