



US00D421293S

United States Patent [19]

Müllenmeister

[11] Patent Number: **Des. 421,293**

[45] Date of Patent: **** Feb. 29, 2000**

[54] **COMBINED WALL-MOUNT FAUCET HANDLE HEAD AND ESCUTCHEON**

[76] Inventor: **Daniel Müllenmeister**, An der Schluse 141, D-48329 Havixbeck, Germany

[*] Notice: This patent is subject to a terminal disclaimer.

[**] Term: **14 Years**

[21] Appl. No.: **29/104,803**

[22] Filed: **May 12, 1999**

[30] **Foreign Application Priority Data**

Dec. 18, 1998 [DE] Germany 498 12 216

[51] **LOC (6) Cl.** **23-01**

[52] **U.S. Cl.** **D23/254**

[58] **Field of Search** D23/238-243, D23/250-257; 4/675-678; 137/801

[56] **References Cited**

U.S. PATENT DOCUMENTS

D. 339,630 9/1993 Gottwald D23/254

D. 363,765	10/1995	Starck	D23/254
D. 373,180	8/1996	Gottwald	D23/254
D. 393,895	4/1998	Gottwald	D23/254
D. 397,771	9/1998	Lobermeier	D23/254
D. 402,009	12/1998	Gottwald	D23/254
D. 406,879	3/1999	Powell et al.	D23/254
D. 409,290	5/1999	Gottwald	D23/254

Primary Examiner—Eric Watterson
Attorney, Agent, or Firm—Herbert Dubno

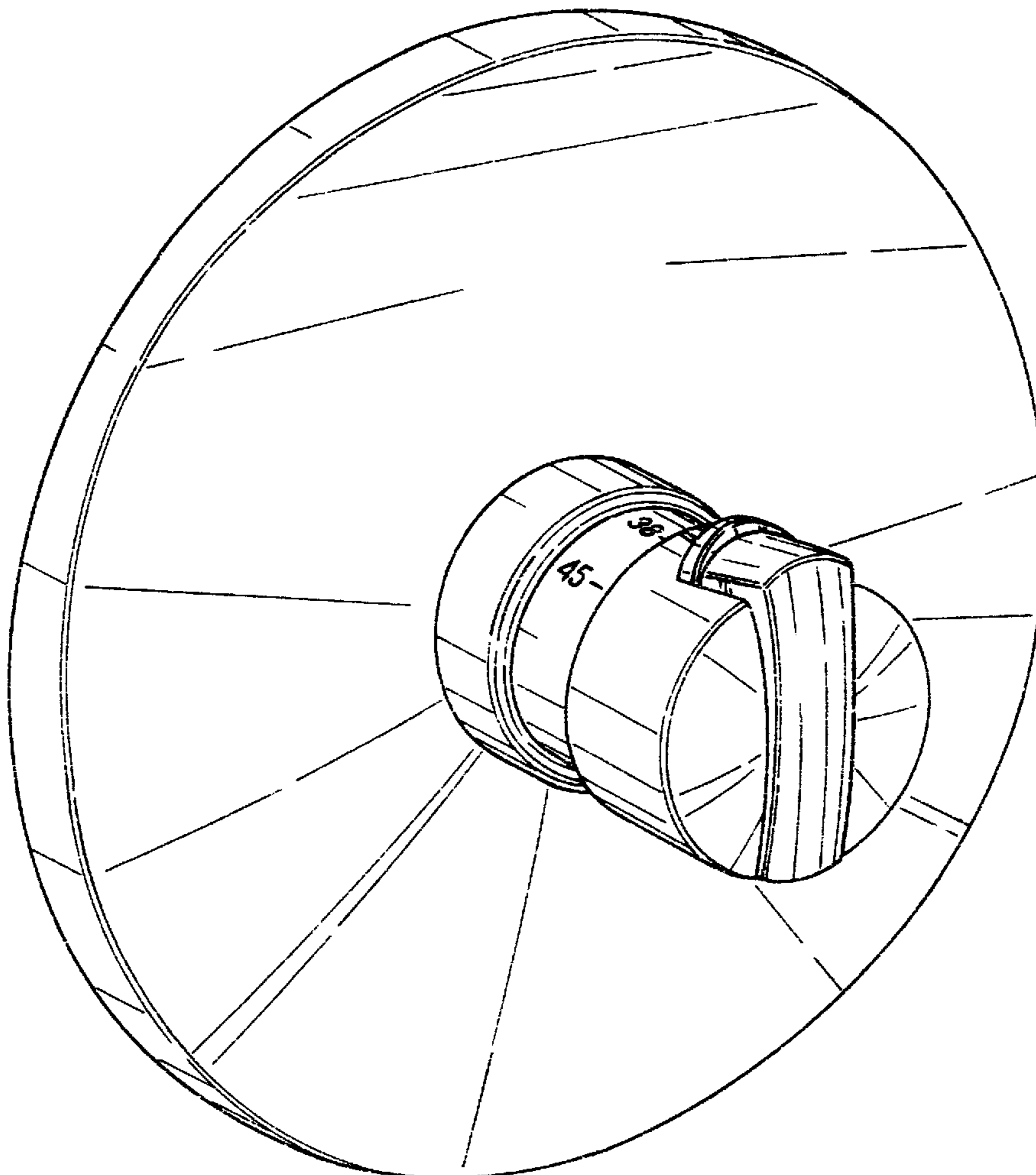
[57] **CLAIM**

The ornamental design for a combined wall-mount faucet handle head and escutcheon, as shown.

DESCRIPTION

FIG. 1 is a top, front, left-side perspective view of a combined wall-mount faucet handle head and escutcheon assembly showing my new design; FIG. 2 is a left side elevational view thereof; FIG. 3 is a front elevational view thereof; FIG. 4 is a right side elevational view thereof; FIG. 5 is a rear view thereof; FIG. 6 is a top-plan view thereof; and, FIG. 7 is a bottom view thereof.

1 Claim, 4 Drawing Sheets



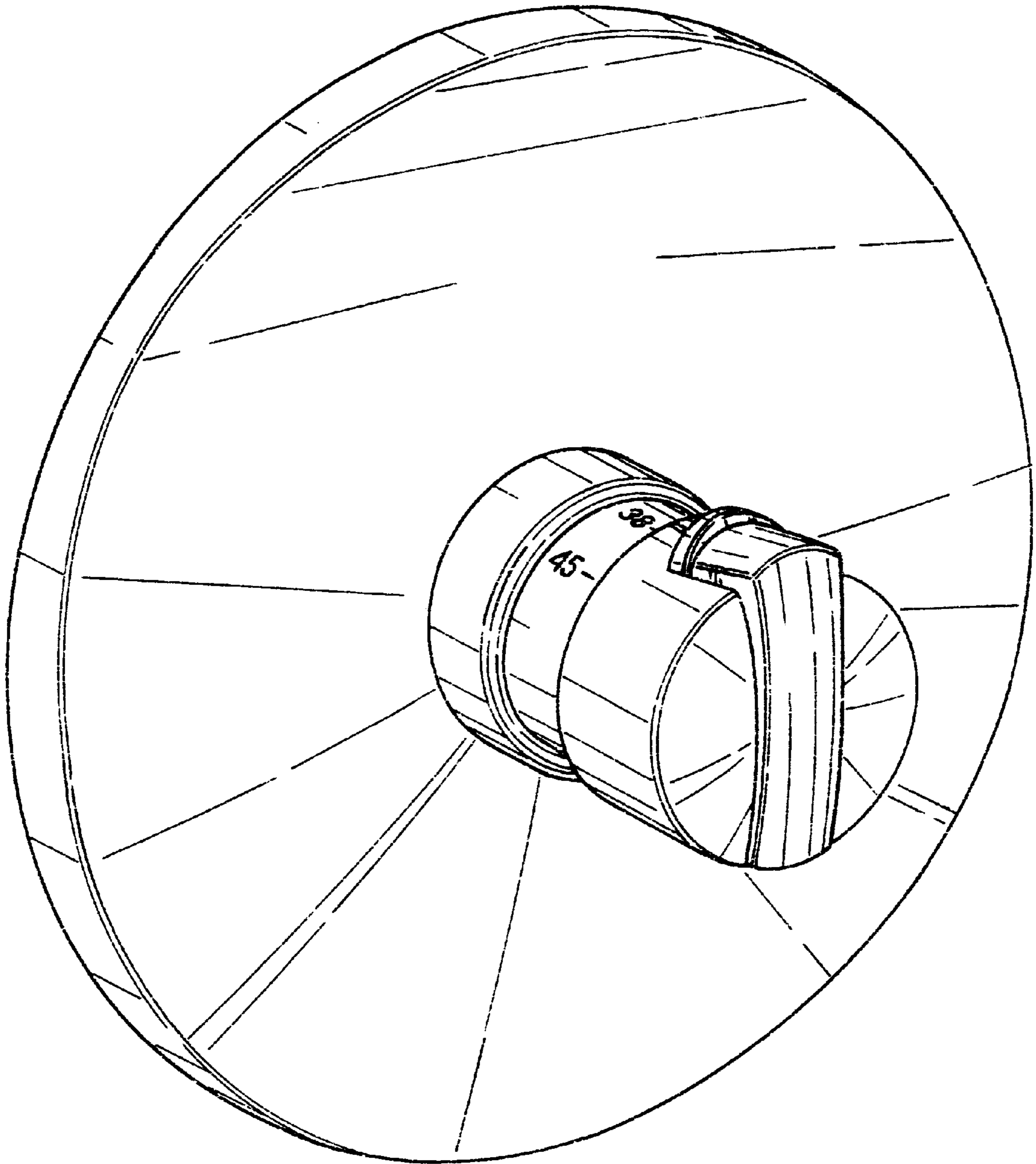


FIG. 1

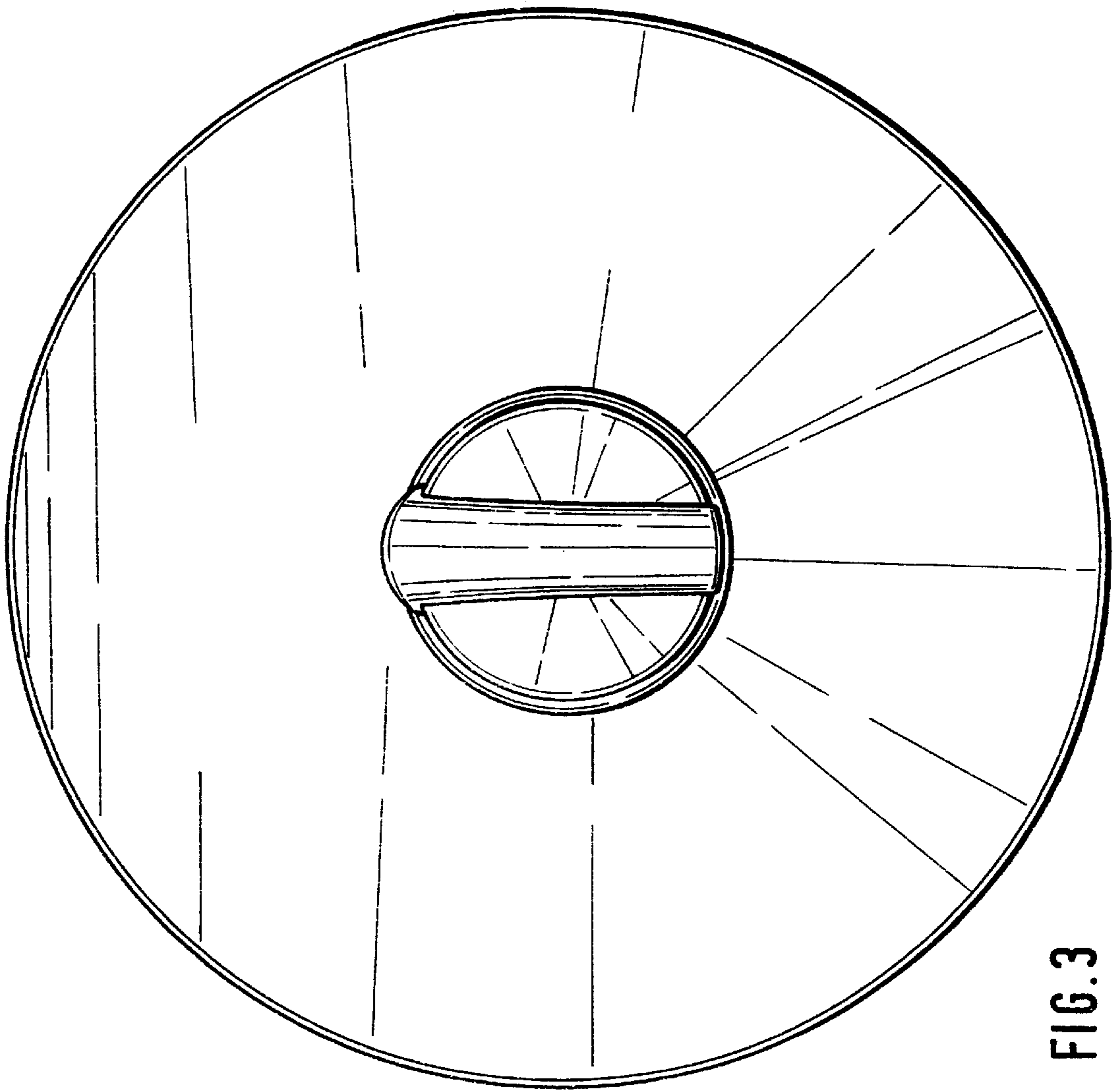


FIG. 3

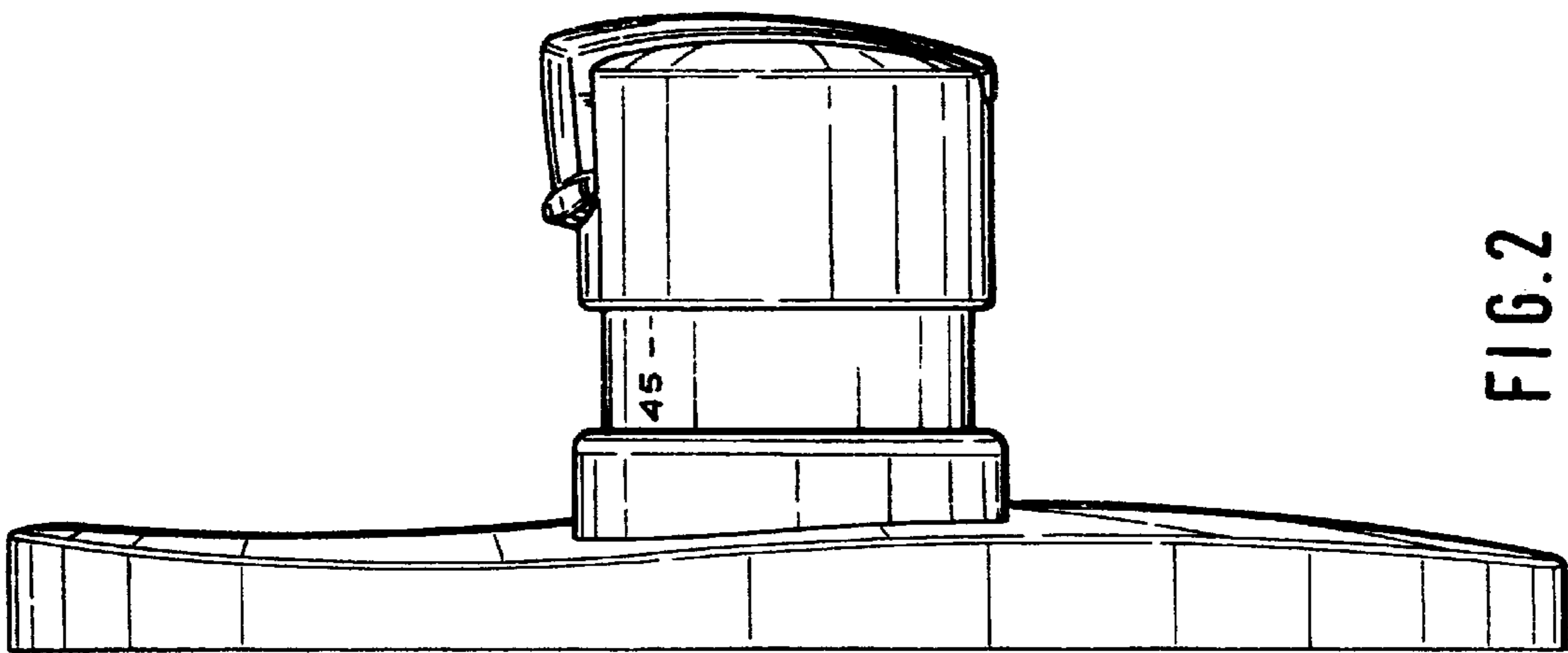


FIG. 2

FIG. 5

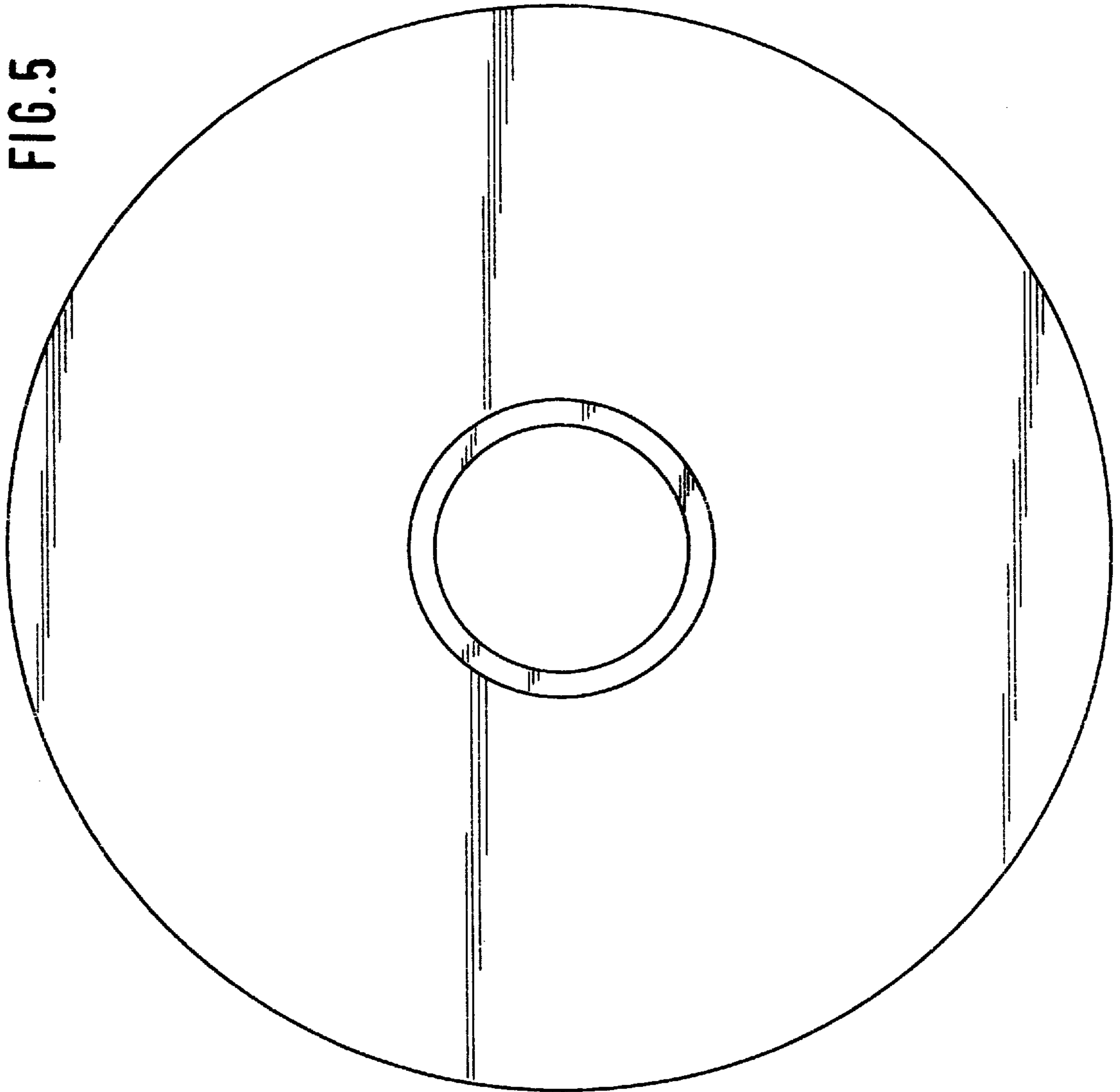


FIG. 4

