



US00D421292S

United States Patent [19]
Lord

[11] **Patent Number: Des. 421,292**

[45] **Date of Patent: ** Feb. 29, 2000**

[54] **SINGLE HANDLE FAUCET**

D. 409,280 5/1999 Lord D23/238

[75] Inventor: **Judd A. Lord**, Carmel, Ind.

Primary Examiner—Eric Watterson
Attorney, Agent, or Firm—Myron B. Kapustij; Lloyd D. Doigan

[73] Assignee: **Masco Corporation of Indiana**, Indianapolis, Ind.

[**] Term: **14 Years**

[57] **CLAIM**

The ornamental design for a single handle faucet, as shown and described.

[21] Appl. No.: **29/105,632**

[22] Filed: **May 27, 1999**

DESCRIPTION

[51] **LOC (6) Cl.** **23-01**

[52] **U.S. Cl.** **D23/243**

[58] **Field of Search** D23/238-243,
D23/250-257; D8/300-310; 4/675-678;
137/801

FIG. 1 is a top, front perspective view of a single handle faucet showing my new design;
FIG. 2 is a rear perspective view thereof;
FIG. 3 is a top plan view thereof;
FIG. 4 is a front elevational view thereof;
FIG. 5 is a right side elevational view thereof, the left side being a mirror image;
FIG. 6 is a rear elevational view thereof; and,
FIG. 7 is a bottom plan view thereof.

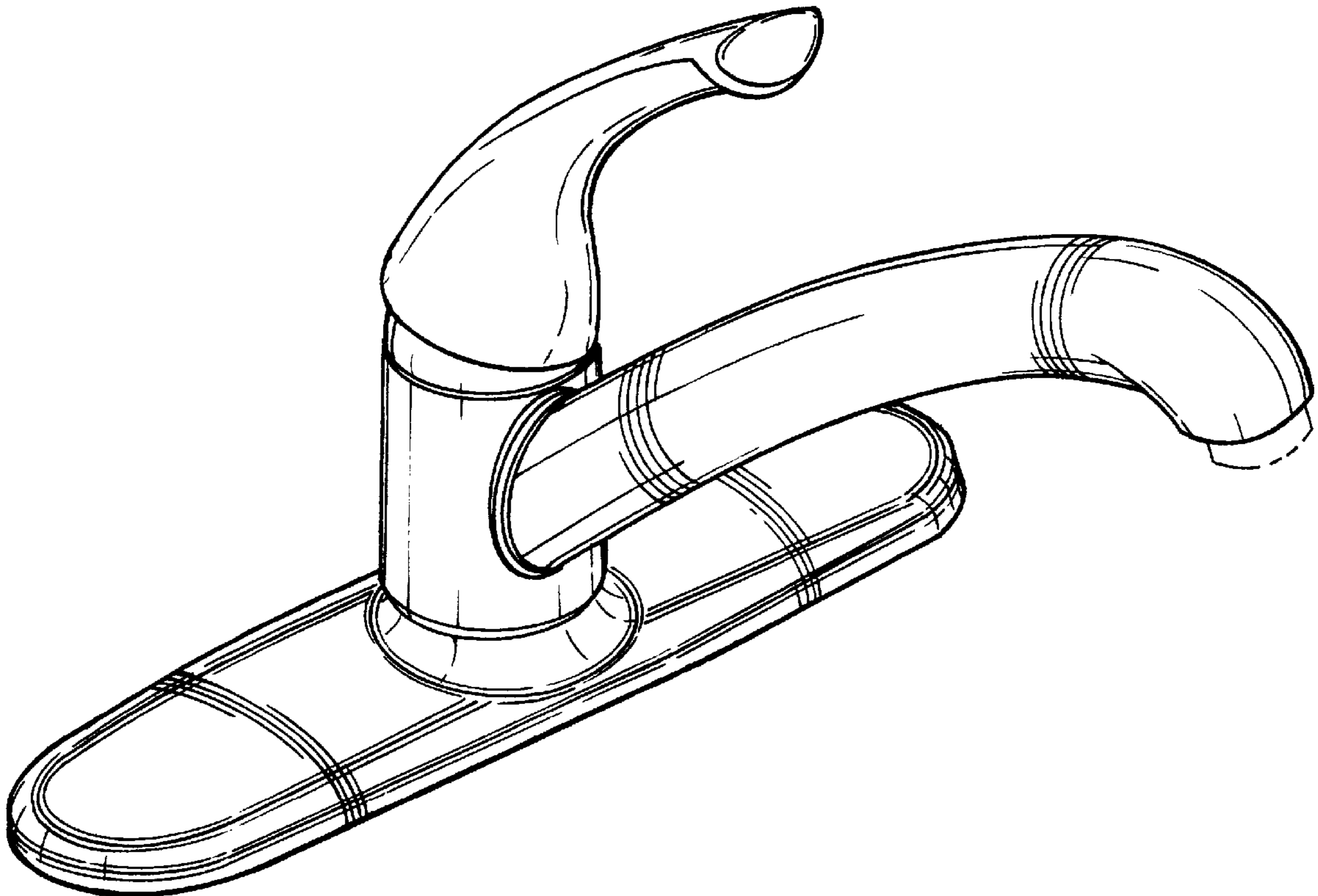
[56] **References Cited**

U.S. PATENT DOCUMENTS

- D. 367,917 3/1996 Haug et al. D23/238
- D. 368,764 4/1996 Hill et al. D23/238
- D. 387,131 12/1997 Short et al. D23/238
- D. 402,769 12/1998 Lord D23/238

The broken line showing of the aerator in FIGS. 1, 2, 4, 5 and 7 and of the waterway in FIG. 7 are for purposes of illustration only and form no part of the claimed design.

1 Claim, 4 Drawing Sheets



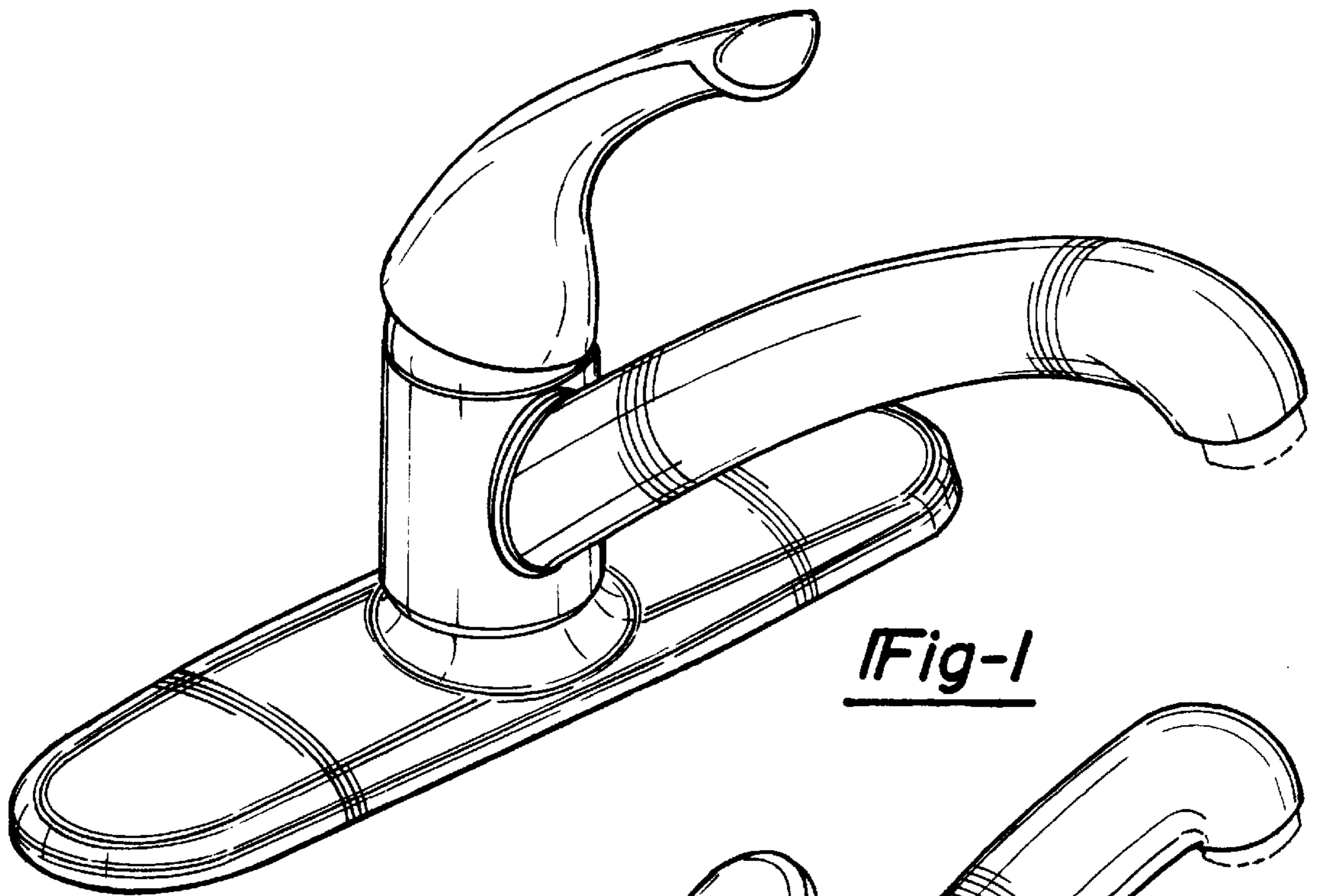


Fig-1

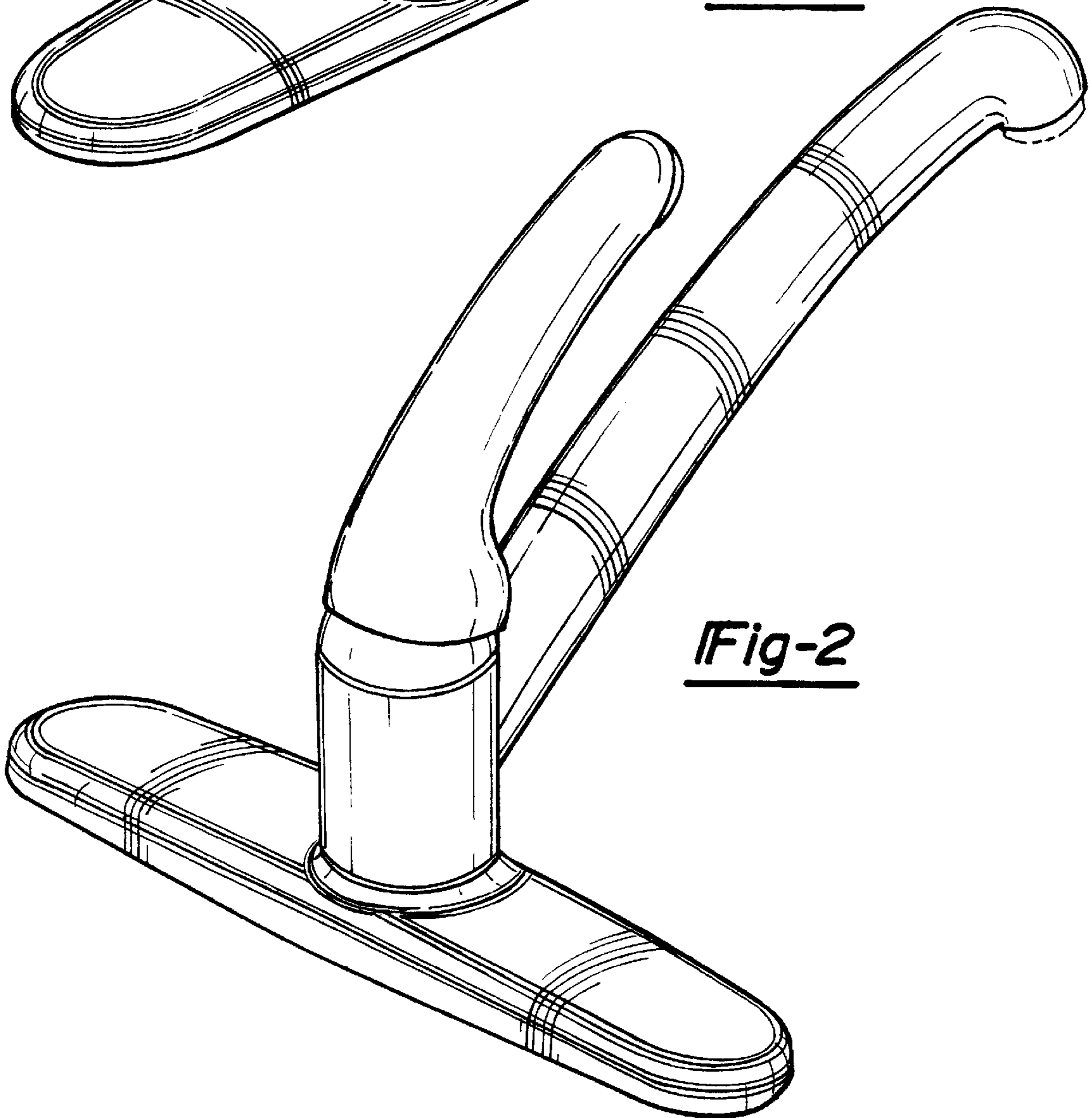


Fig-2

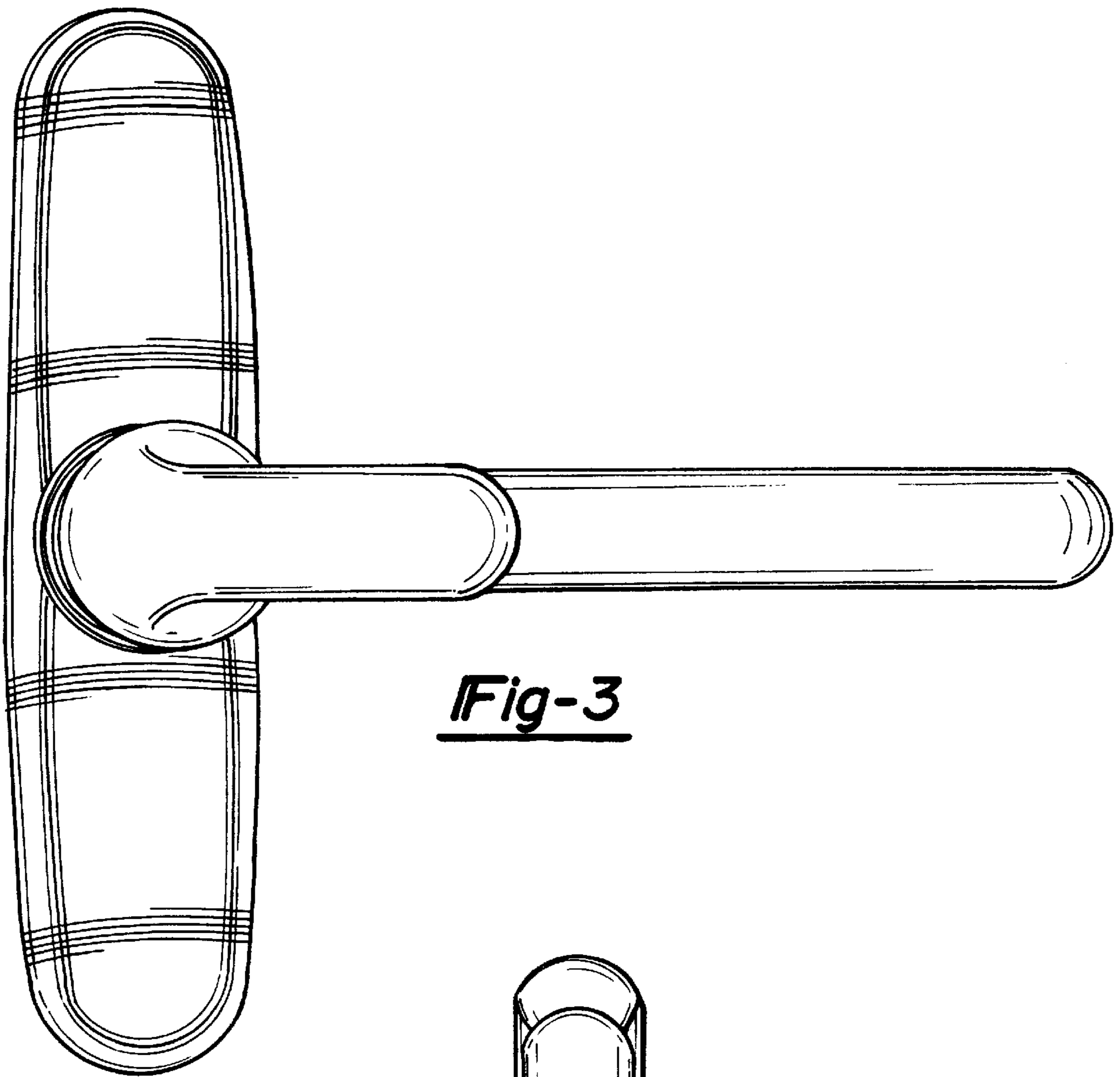


Fig-3

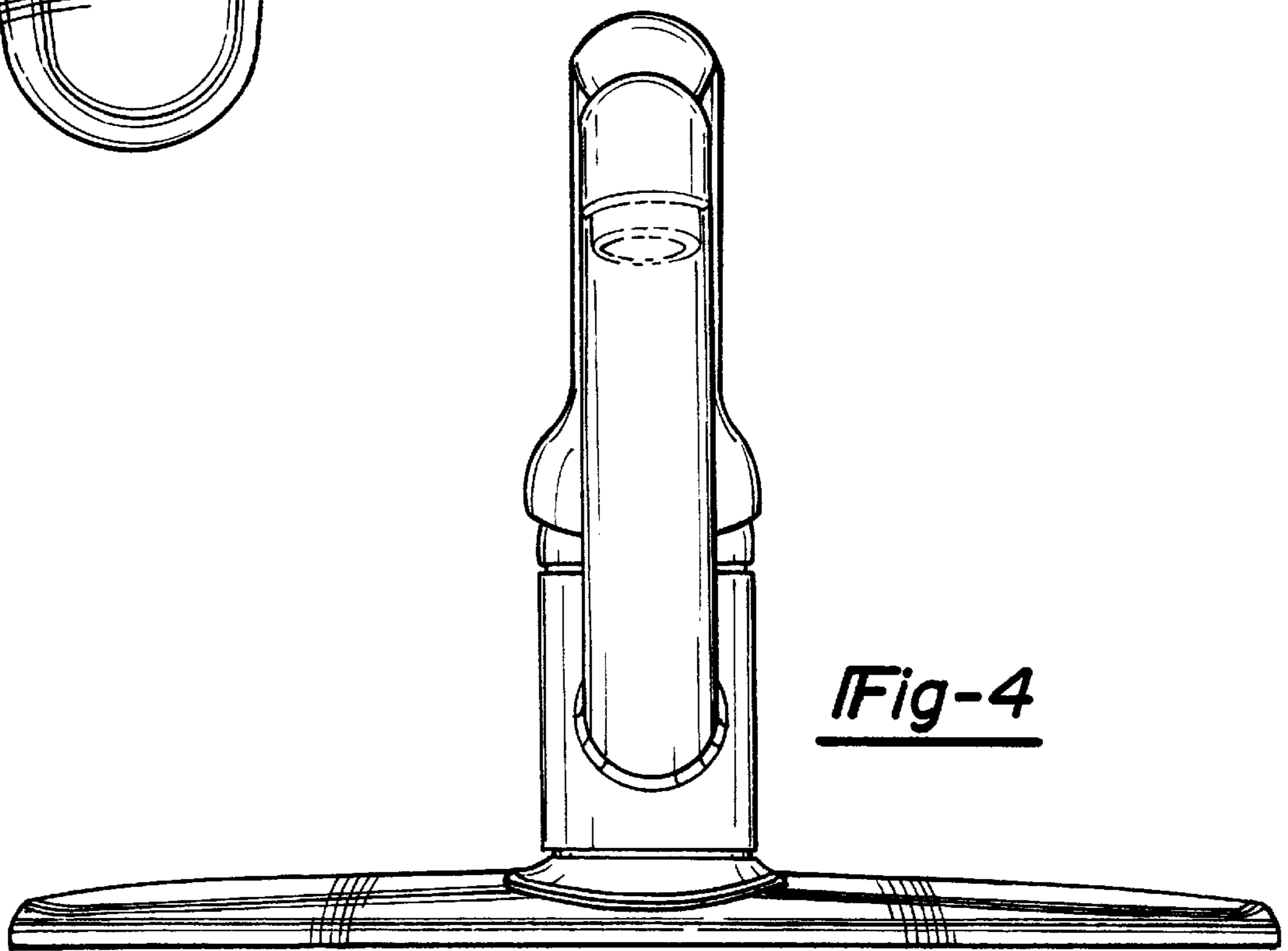


Fig-4

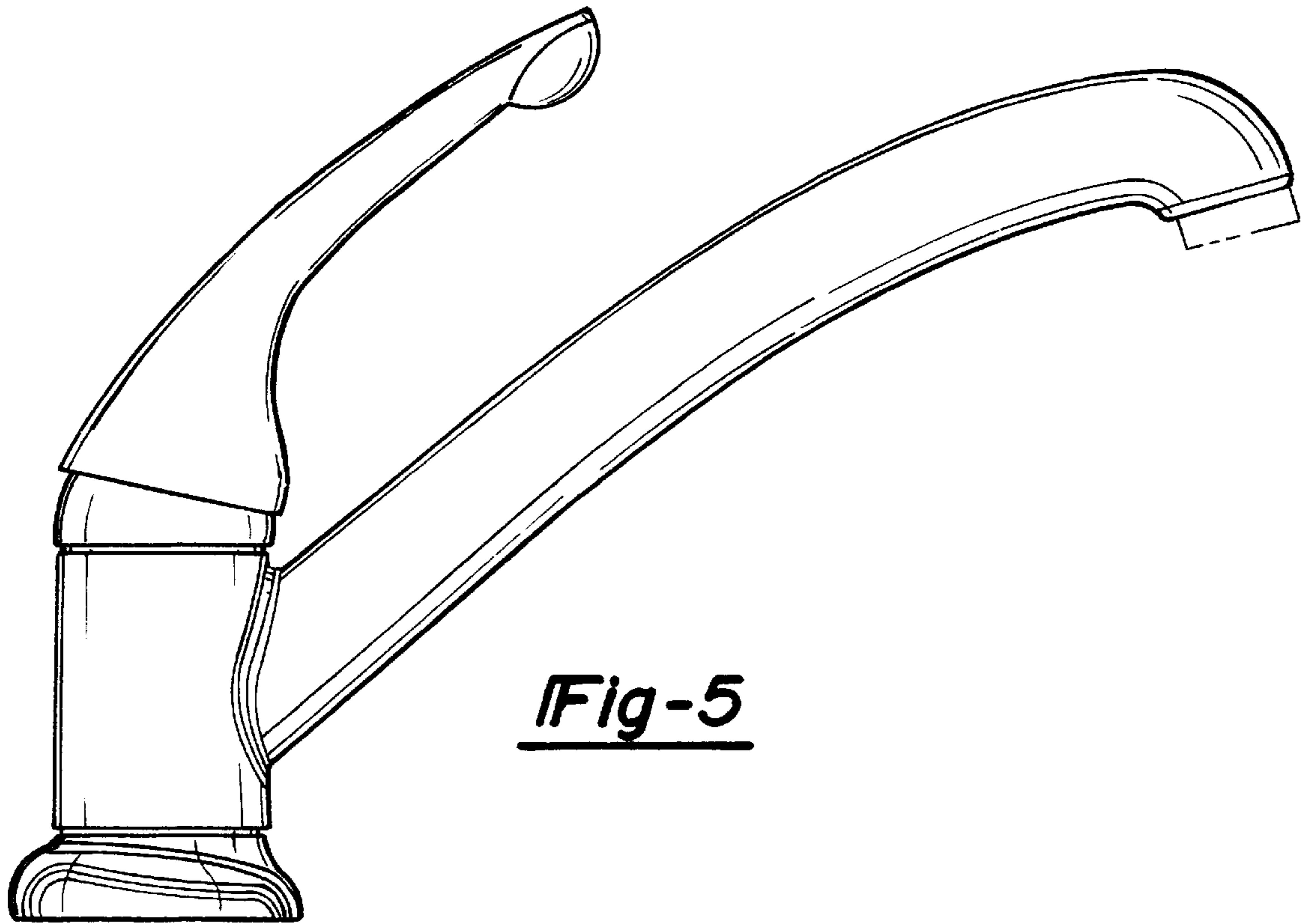


Fig-5

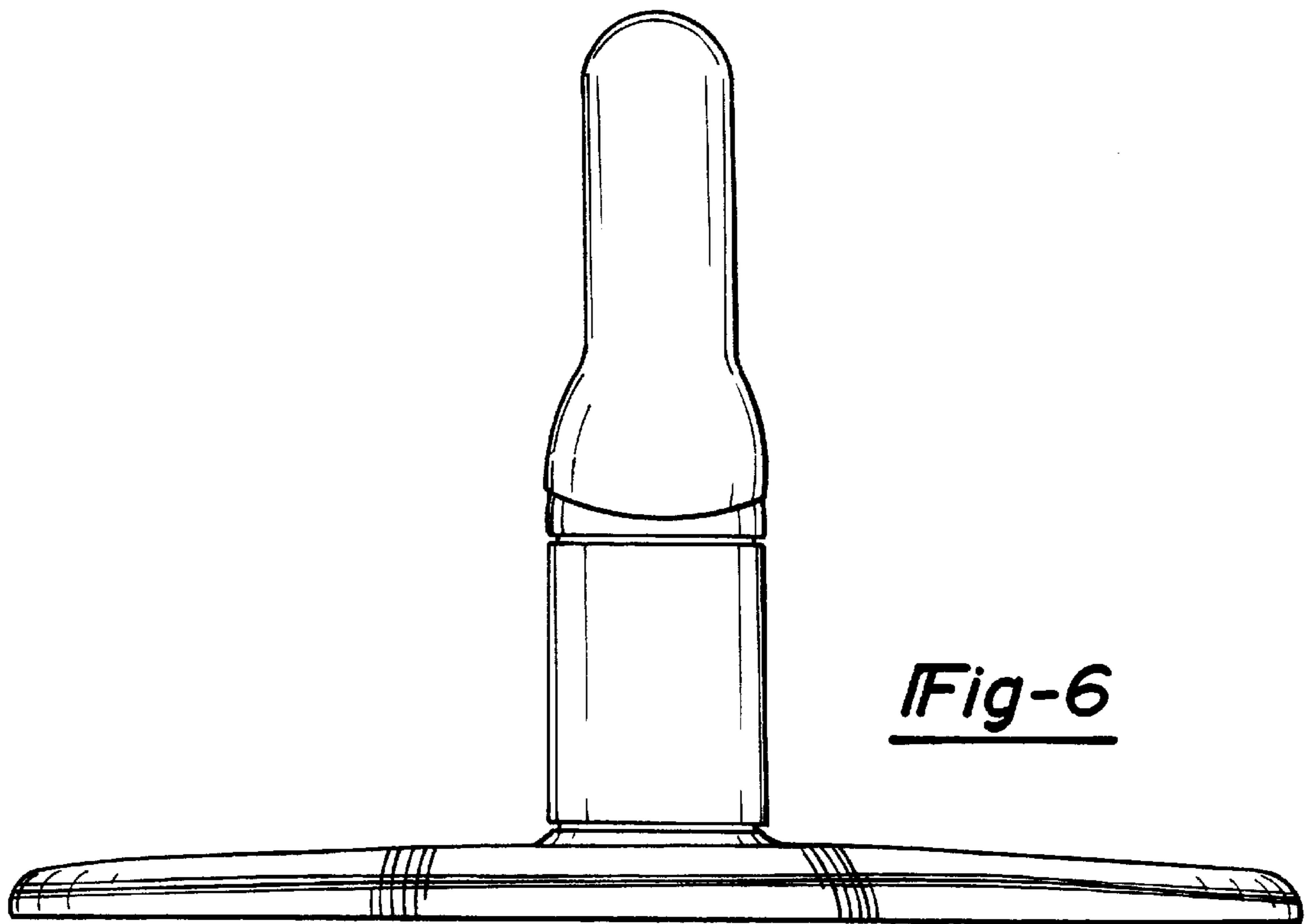


Fig-6

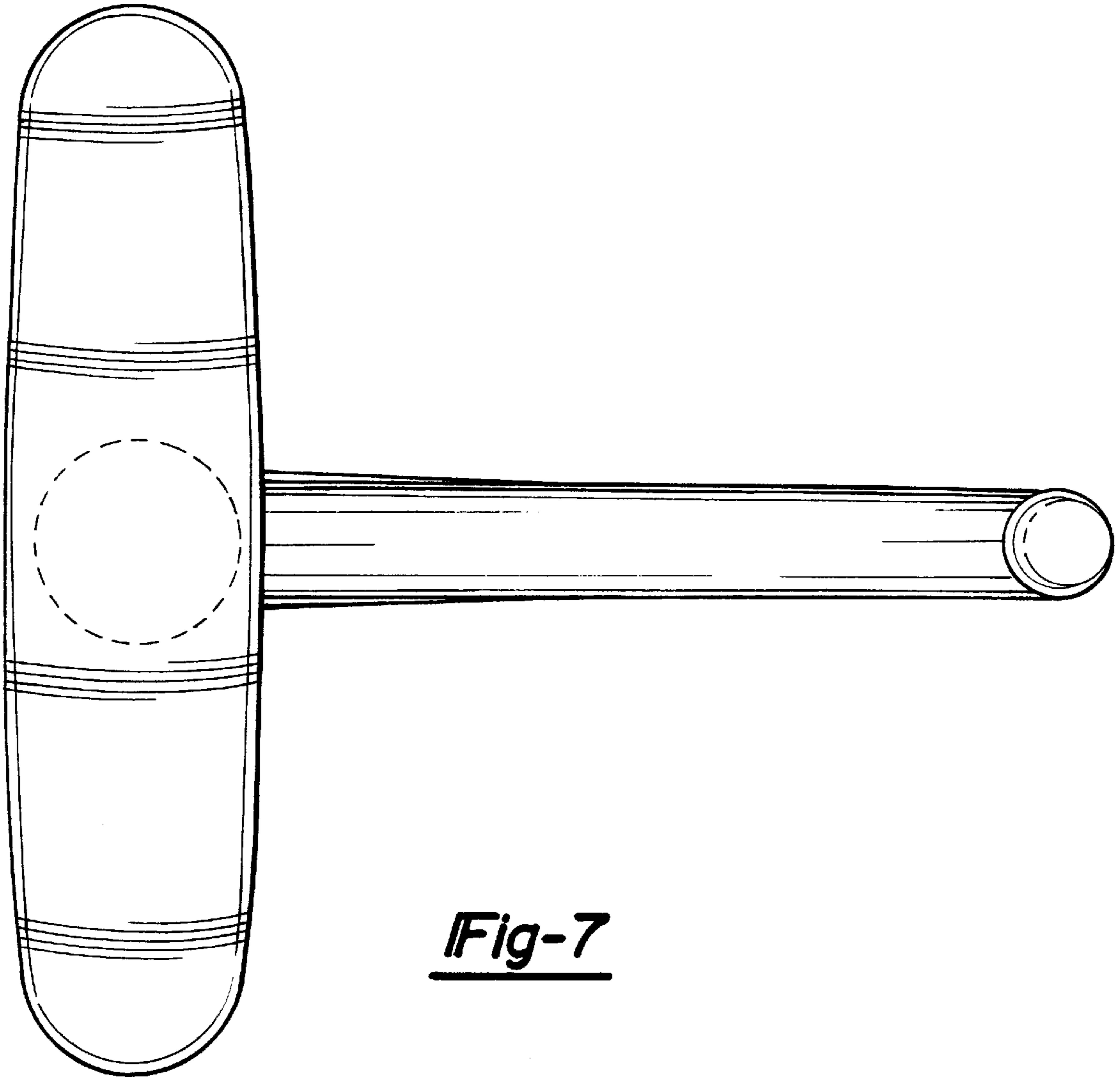


Fig-7