



US00D421291S

United States Patent [19]

Fabian et al.

[11] Patent Number: **Des. 421,291**

[45] Date of Patent: **** Feb. 29, 2000**

[54] **KITCHEN FAUCET**

[75] Inventors: **Wolfgang Fabian**, Mannheim, Germany; **Paul Kolada**, Columbus, Ohio

[73] Assignee: **American Standard, Inc.**, Piscataway, N.J.

[**] Term: **14 Years**

[21] Appl. No.: **29/093,357**

[22] Filed: **Sep. 9, 1998**

Related U.S. Application Data

[62] Division of application No. 29/020,953, Apr. 5, 1994.

[51] **LOC (6) Cl.** **23-01**

[52] **U.S. Cl.** **D23/243**

[58] **Field of Search** D23/238-243, D23/250-257; 4/675-678; 137/801

[56] References Cited

U.S. PATENT DOCUMENTS

D. 367,699 3/1996 Hill et al. D23/238

D. 368,764 4/1996 Hill et al. D23/238
D. 390,639 2/1998 Ming-hua D23/243
D. 400,648 11/1998 Fabian et al. D23/243

OTHER PUBLICATIONS

American Standard Inc. Brochure, 1991 p. 42, p. 43—A, B, C; p. 44—A, B, C, D; p. 49—A, B, C, D.
American Standard Inc. Brochure, 1988 p. 17—A, p. 19—C; p. 23—E, F.

Primary Examiner—Eric Watterson

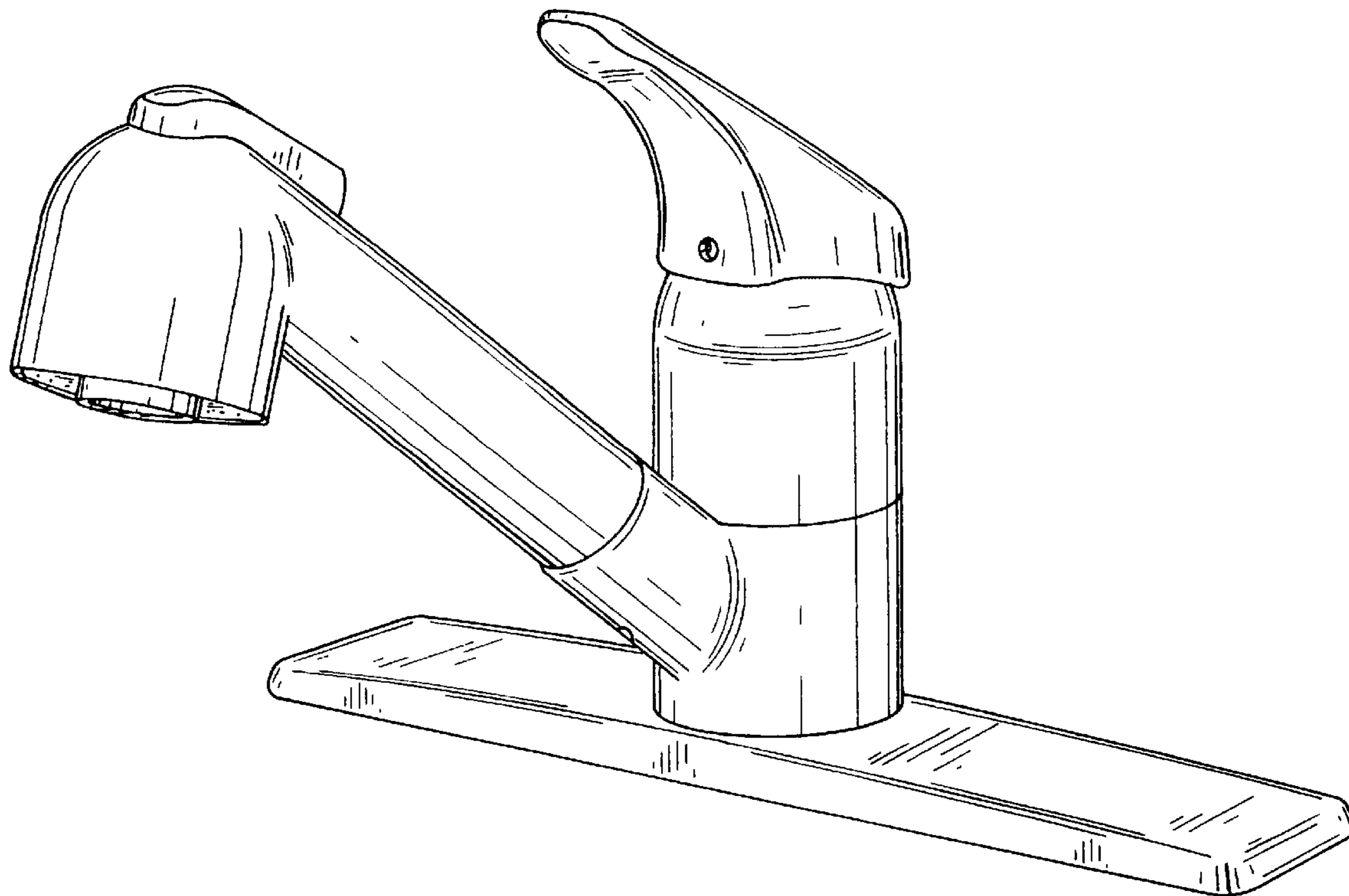
[57] CLAIM

The ornamental design for a kitchen faucet, as shown and described.

DESCRIPTION

FIG. 1 is a left perspective view of a kitchen faucet showing my new design;
FIG. 2 is a top plan view thereof;
FIG. 3 is a front elevational view thereof;
FIG. 4 is a left side elevational view thereof, the right side view being a mirror image of the left side;
FIG. 5 is a rear elevational view thereof; and,
FIG. 6 is a bottom plan view thereof.

1 Claim, 5 Drawing Sheets



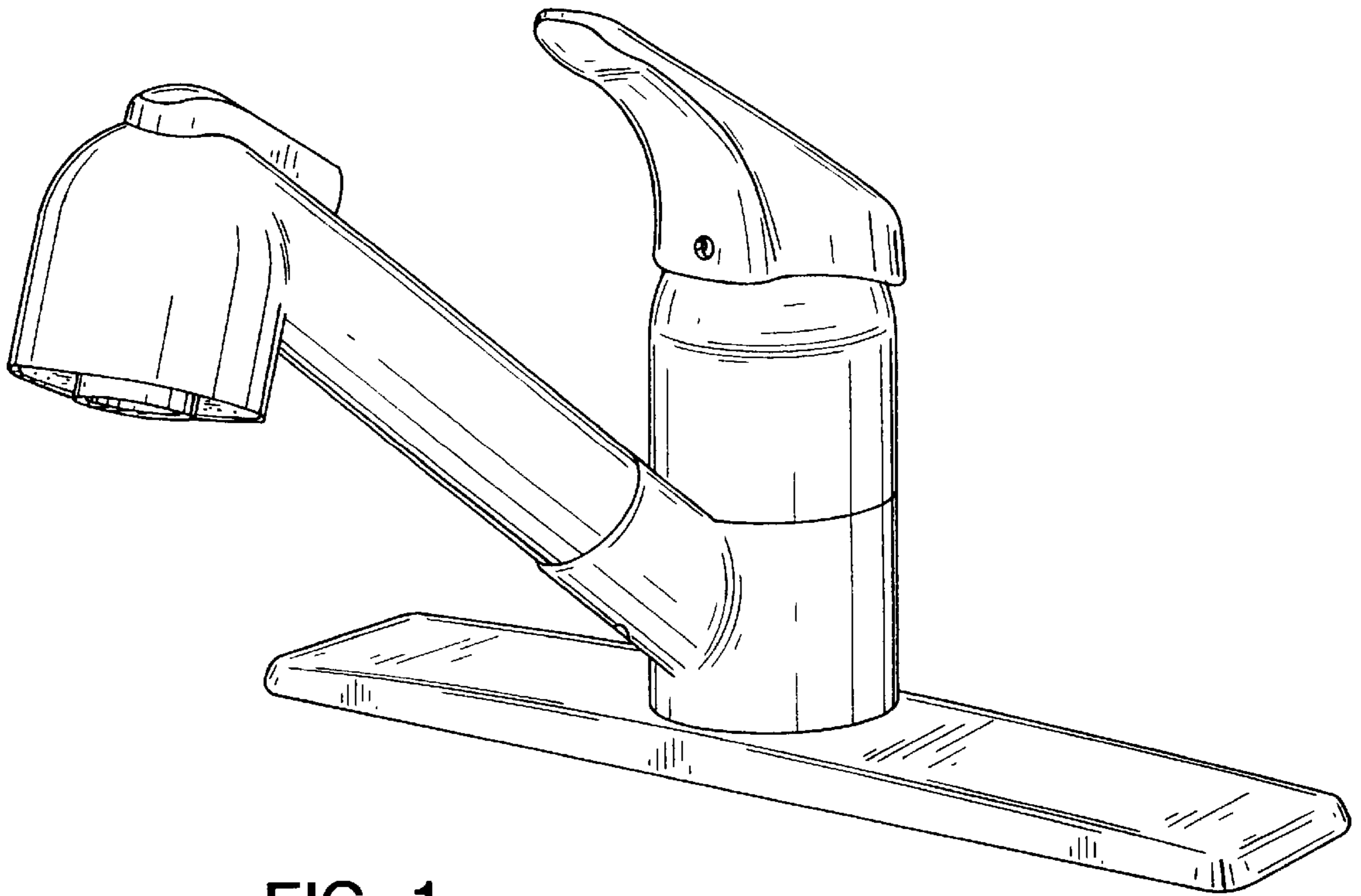


FIG. 1

FIG. 2

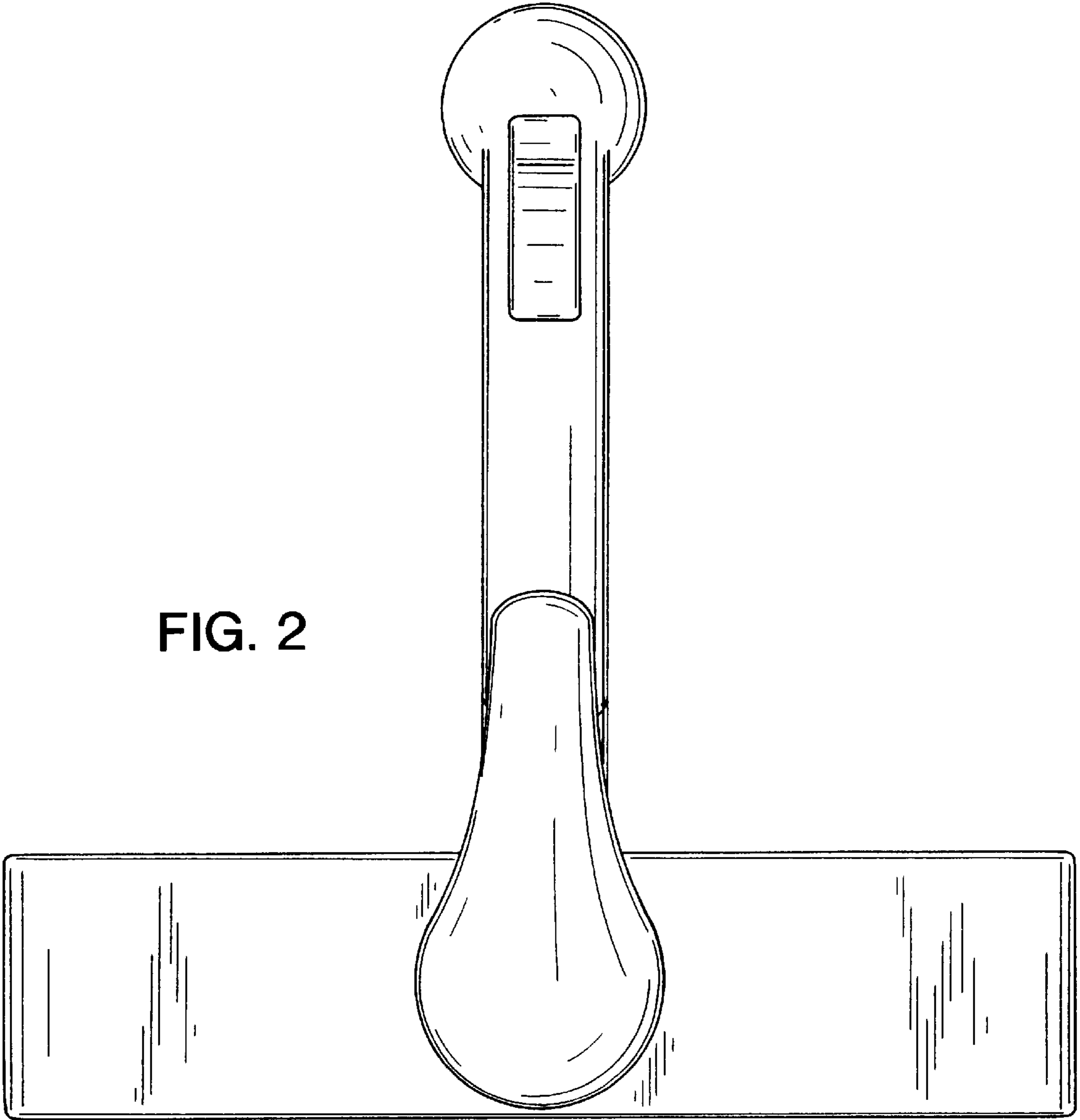


FIG. 3

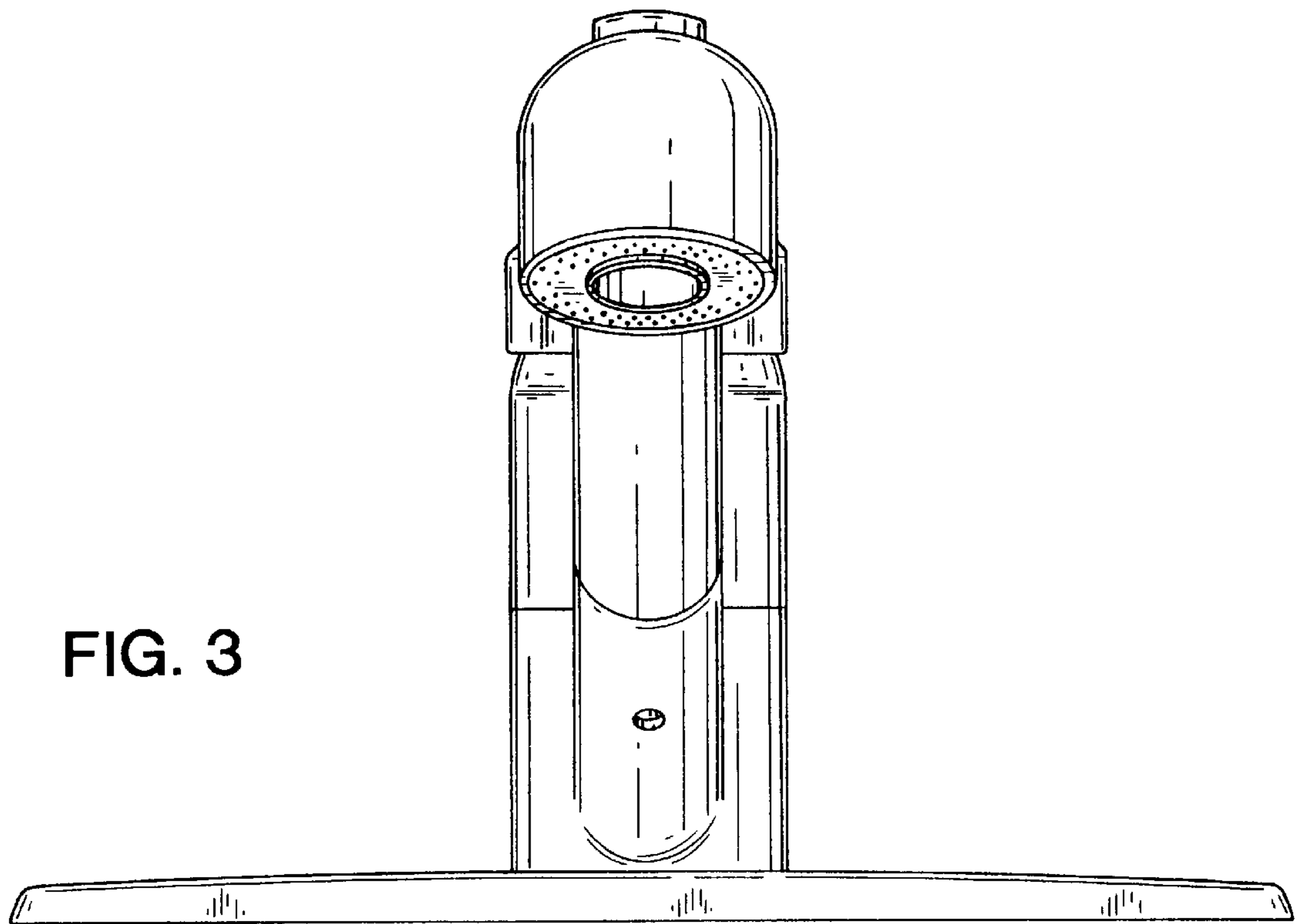


FIG. 4

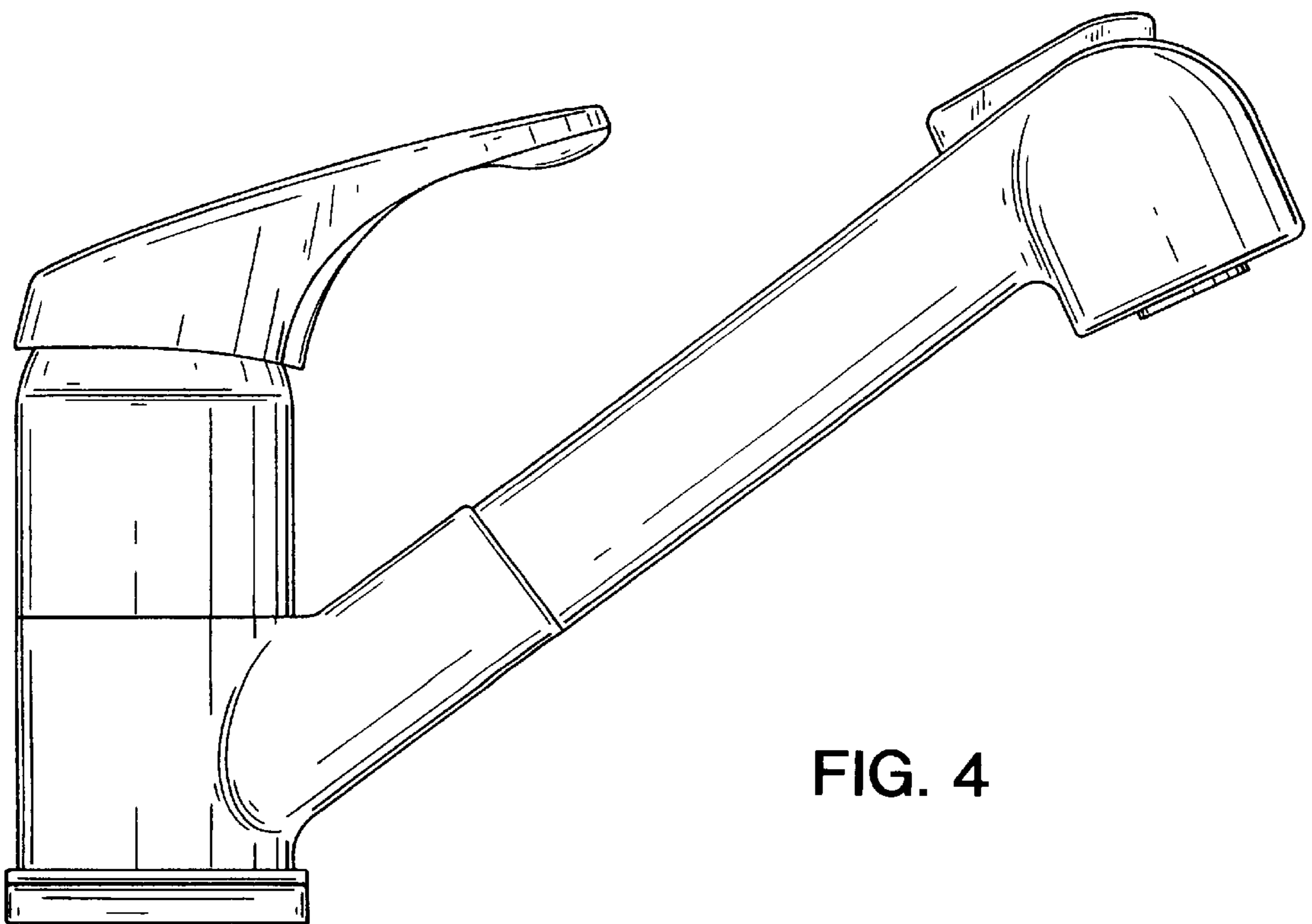


FIG. 5

