



US00D421290S

United States Patent [19]
Meda

[11] **Patent Number: Des. 421,290**

[45] **Date of Patent: ** Feb. 29, 2000**

[54] **FAUCET**

[75] **Inventor: Alberto Meda, Milan, Italy, 20145**

[73] **Assignee: American Standard Inc., Piscataway, N.J.**

[**] **Term: 14 Years**

[21] **Appl. No.: 29/102,409**

[22] **Filed: Mar. 24, 1999**

[30] **Foreign Application Priority Data**

Sep. 25, 1998 [IT] Italy RE98O0014

[51] **LOC (6) Cl. 23-01**

[52] **U.S. Cl. D23/241**

[58] **Field of Search D23/238-239, D23/250-257; 4/675-678; 137/801**

[56] **References Cited**

U.S. PATENT DOCUMENTS

D. 334,797 4/1993 Chretien D23/238

D. 361,826	8/1995	Mine	D23/238
D. 366,097	1/1996	Gottwald	D23/238
D. 379,648	6/1997	Fleischmann	D23/238
D. 388,155	12/1997	Gottwald et al.	D23/238
D. 388,863	1/1998	Kolada	D23/238
D. 390,918	2/1998	Lobermeier	D23/238
D. 390,919	2/1998	Lobermeier	D23/238
D. 390,920	2/1998	Lobermeier	D23/238
D. 393,051	3/1998	Lobermeier	D23/238

Primary Examiner—Eric Watterson

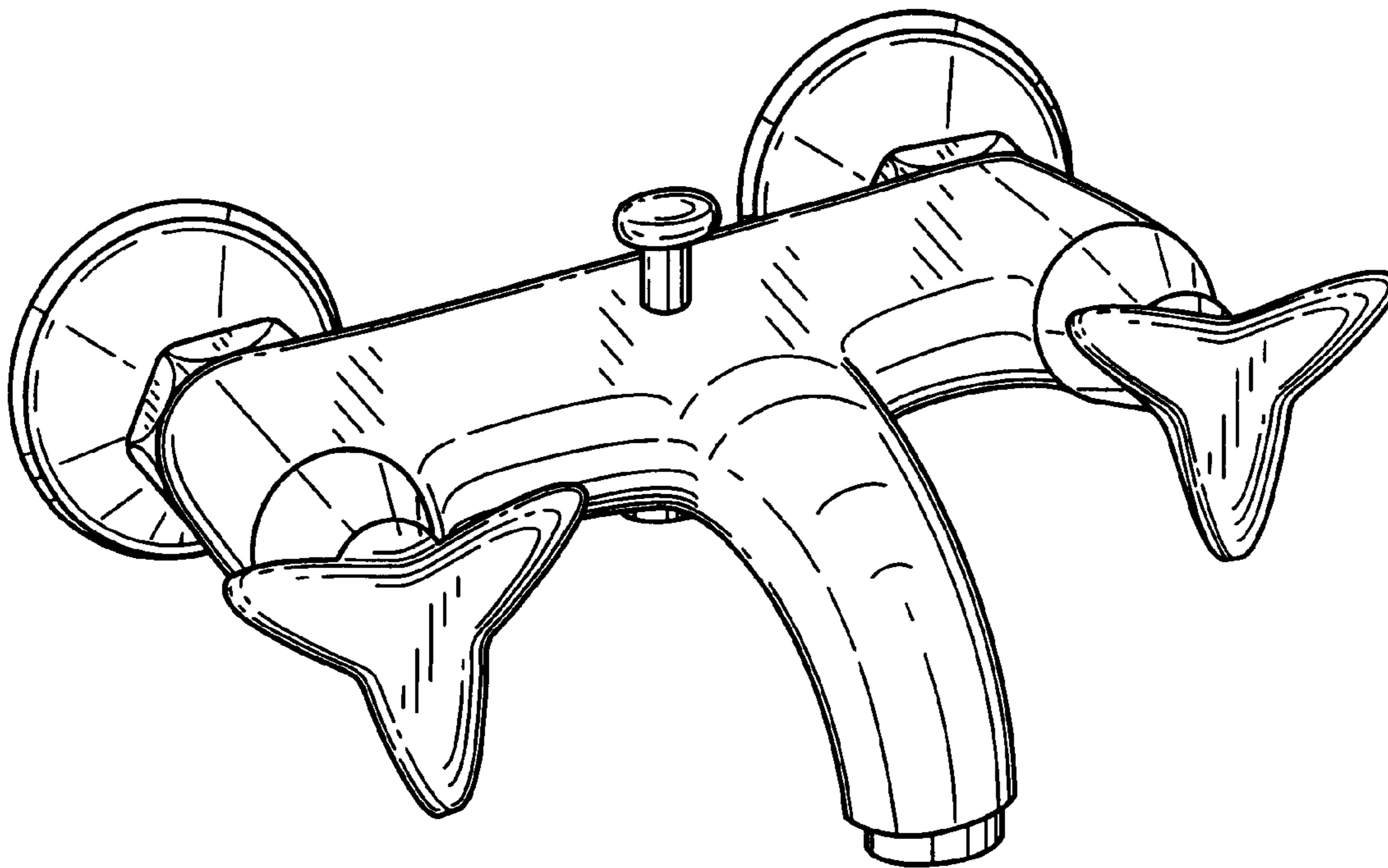
[57] **CLAIM**

The ornamental design for a faucet, as shown and described.

DESCRIPTION

FIG. 1 is a front, top and right side perspective view of a faucet showing my new design;
FIG. 2 is a front elevational view thereof;
FIG. 3 is a back elevational view thereof;
FIG. 4 is a top plan view thereof; and,
FIG. 5 is a left side elevational view thereof, the right side view being a mirror image of the left side.

1 Claim, 3 Drawing Sheets



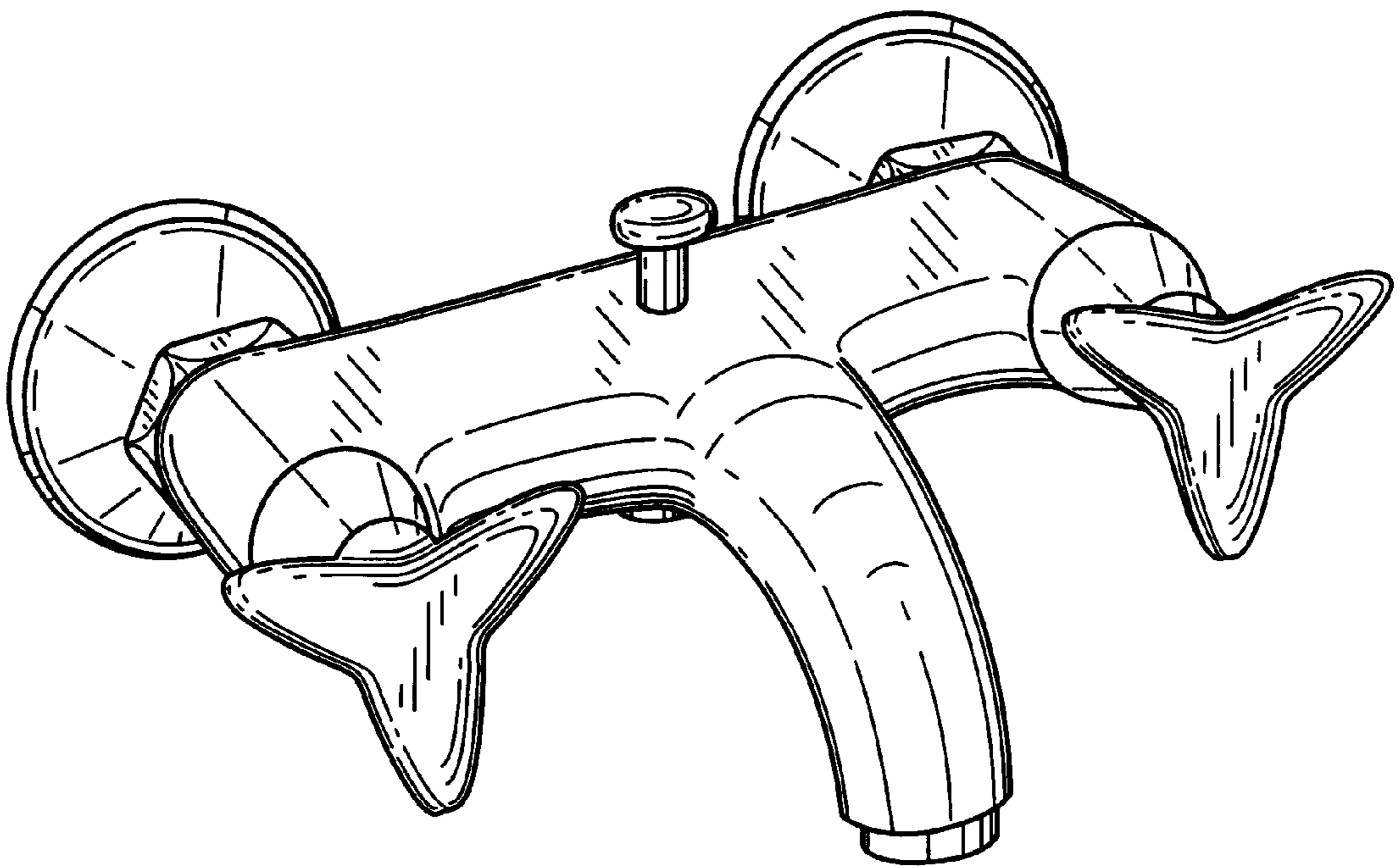


FIG. 1

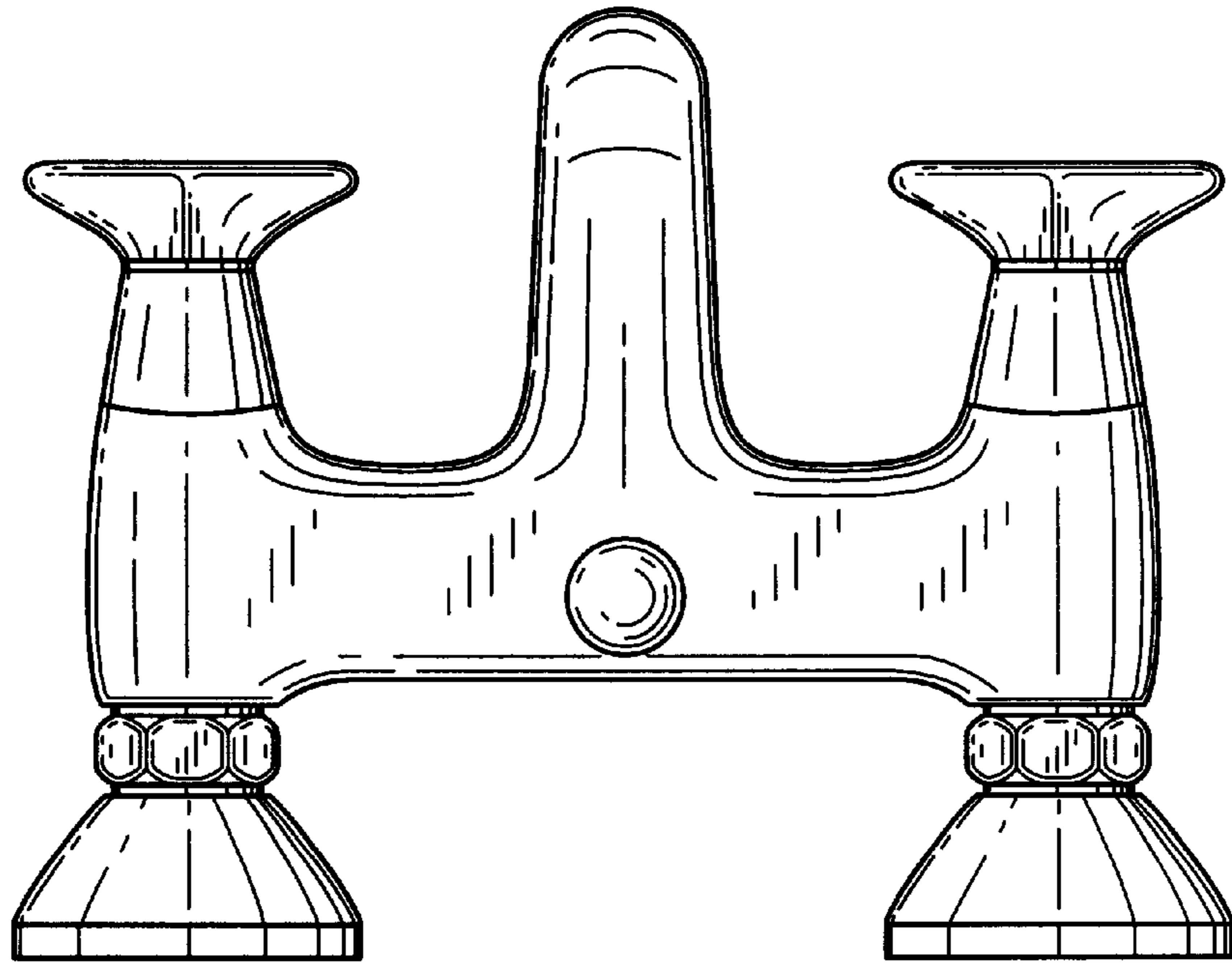


FIG. 2

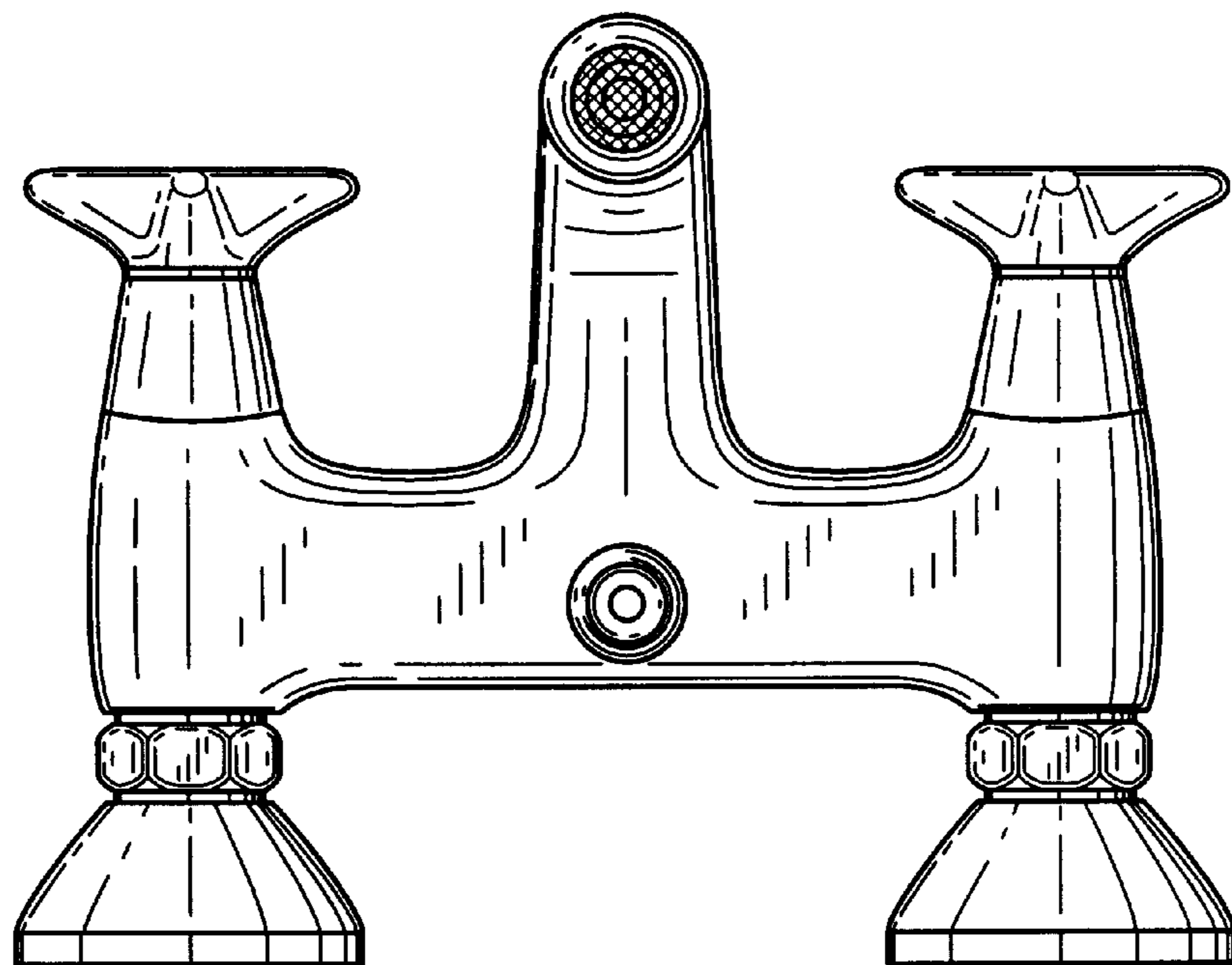


FIG. 3

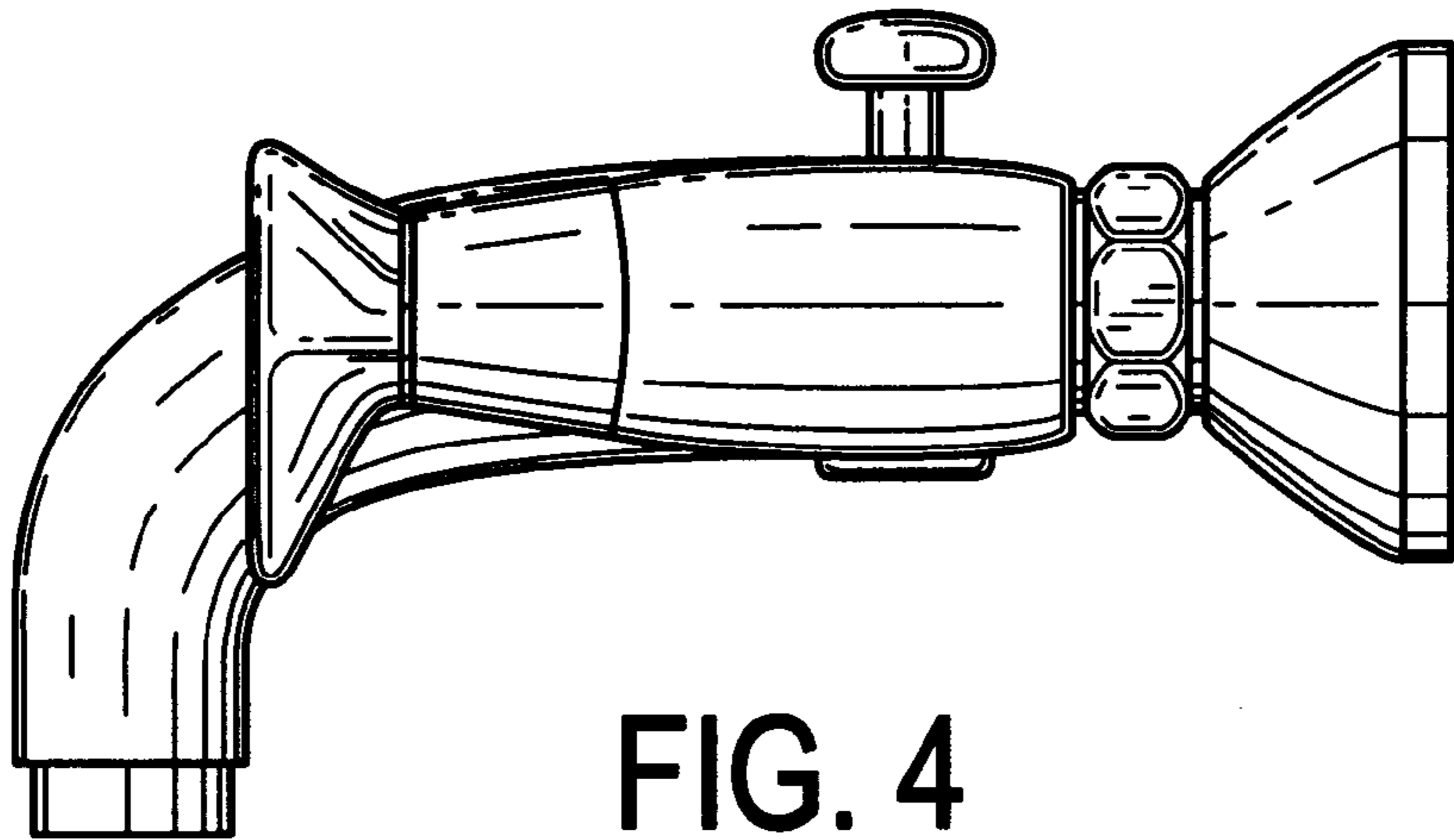


FIG. 4

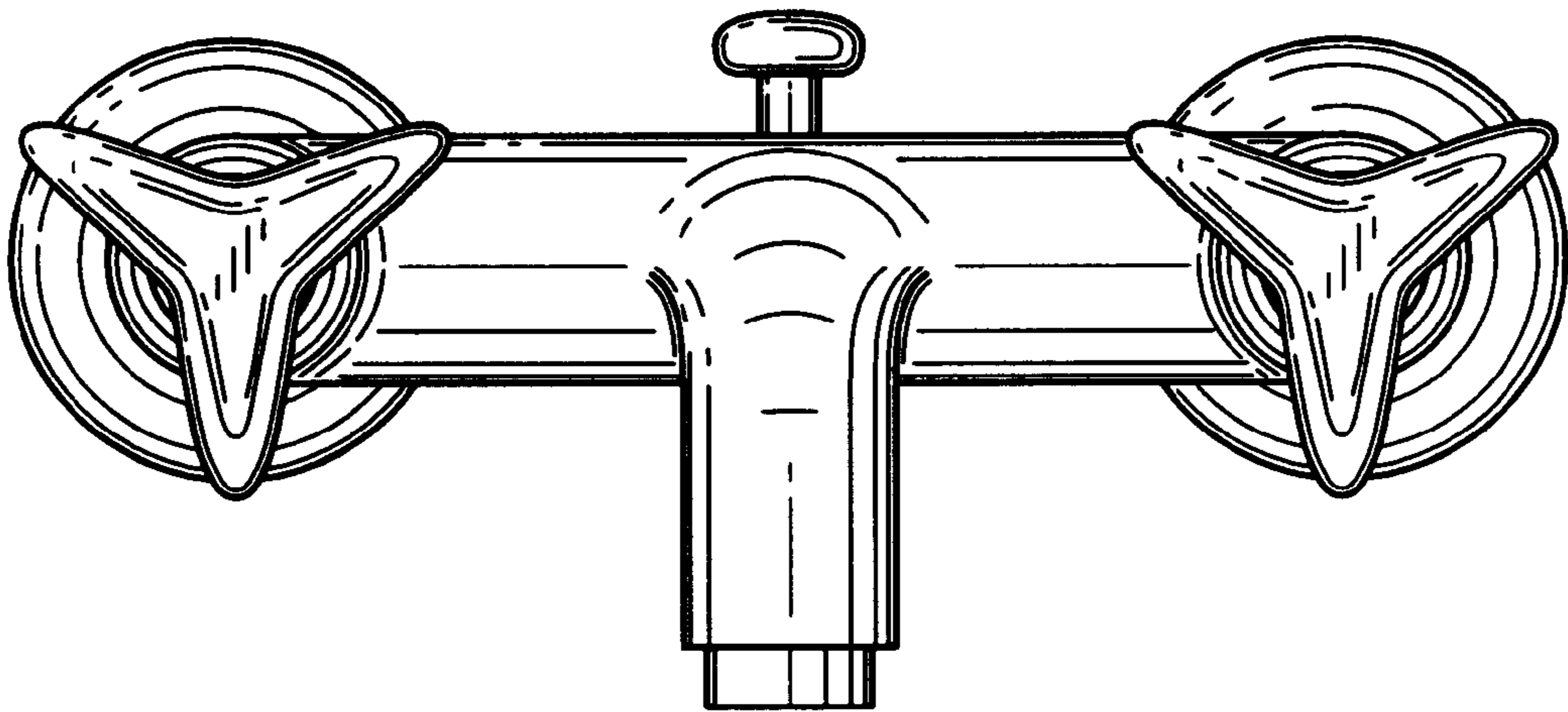


FIG. 5