



US00D421289S

United States Patent [19] De Winter

[11] **Patent Number: Des. 421,289**

[45] **Date of Patent: ** Feb. 29, 2000**

[54] **BOTTLE FOR A DRIP DISPENSER**

2,798,230 7/1957 Febvre et al. 4/227.1
5,551,095 9/1996 Chen 4/227.1

[75] Inventor: **Koen De Winter**, Beaconfield, Canada

[73] Assignee: **West Sanitation Services, Inc.**,
Torrence, Calif.

Primary Examiner—Robin V. Taylor
Attorney, Agent, or Firm—Darby & Darby

[**] Term: **14 Years**

[57] **CLAIM**

The ornamental design for a bottle for a drip dispenser, as shown and described.

[21] Appl. No.: **29/068,291**

[22] Filed: **Mar. 27, 1997**

DESCRIPTION

[51] **LOC (6) Cl.** **23-01**

[52] **U.S. Cl.** **D23/208**

[58] **Field of Search** D23/200, 202,
D23/208; 4/231, 232, 228.1, 222-3, 227.1;
D9/520

FIG. 1 is a top, front, and right side perspective view of my new design for a bottle;

FIG. 2 is a top, rear, and left side perspective of my new design;

FIG. 3 is a front elevation view;

FIG. 4 is a right side elevation view of my new design of which the left side elevation is a mirror image;

FIG. 5 is a rear elevation view;

FIG. 6 is a top plan view; and,

FIG. 7 is a bottom plan view.

[56] **References Cited**

U.S. PATENT DOCUMENTS

D. 245,196 7/1977 Kelly D23/208
D. 249,355 9/1978 Blank D23/208
D. 365,138 12/1995 Puri D23/208

1 Claim, 3 Drawing Sheets

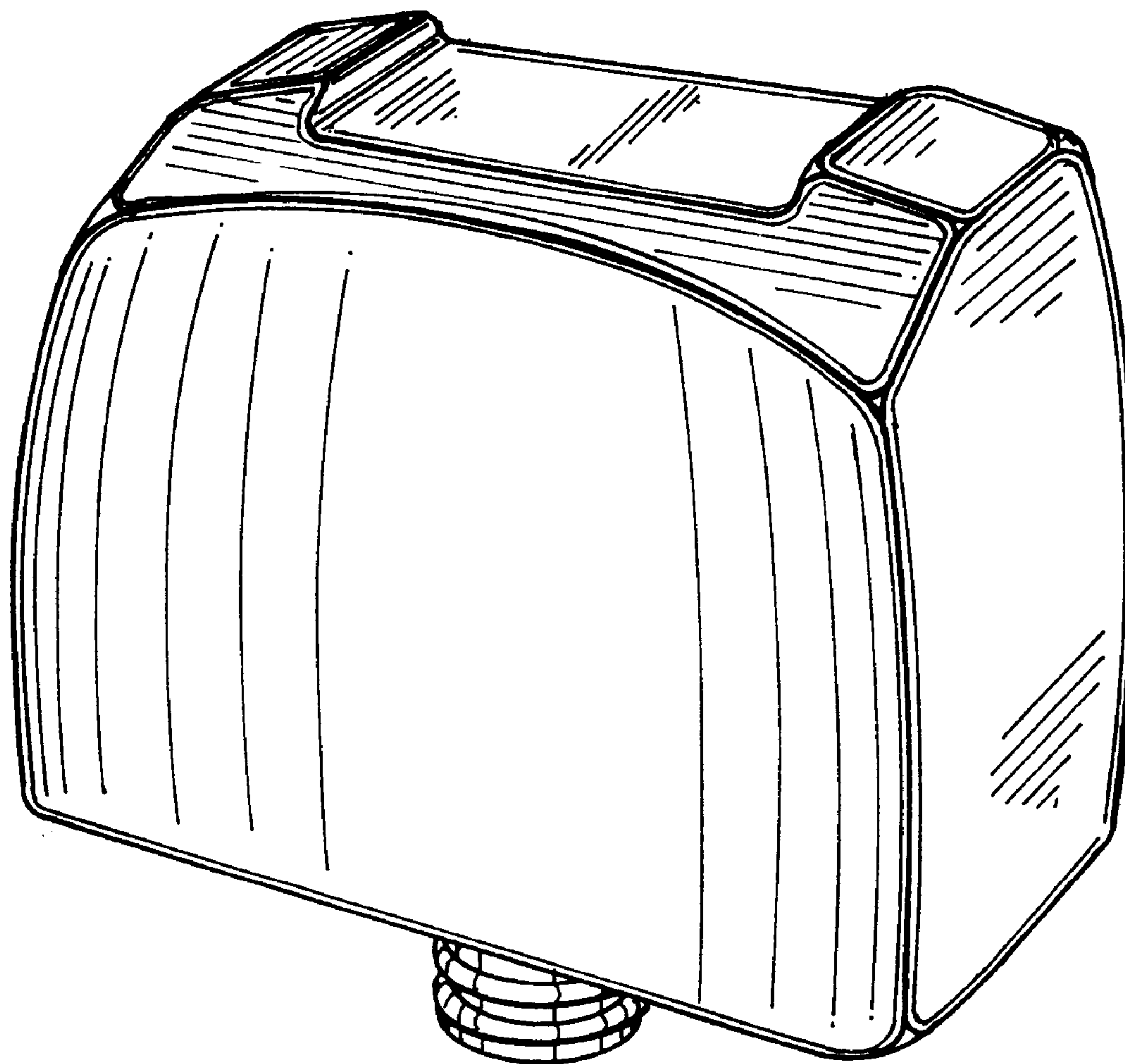


FIG. 1

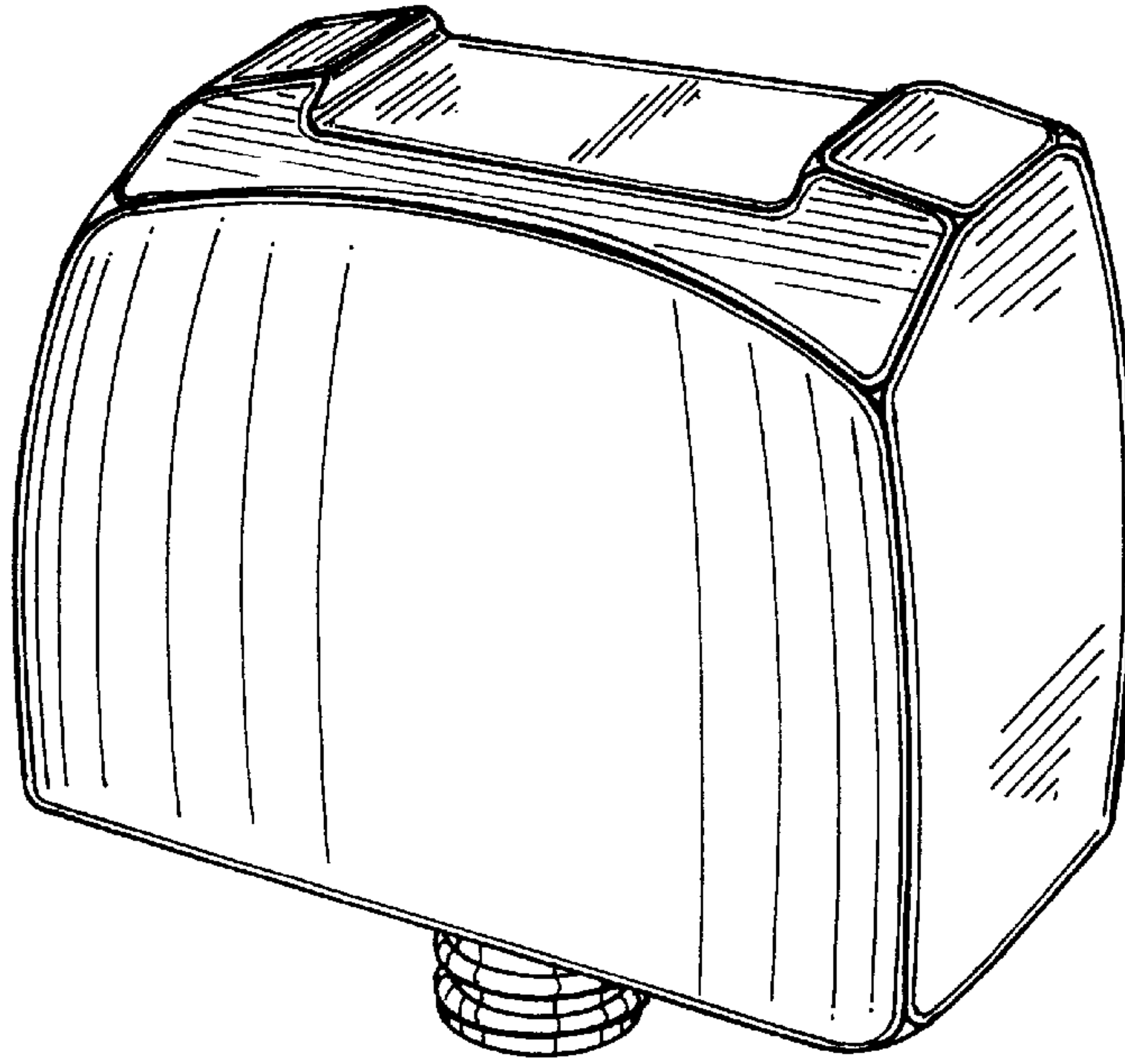


FIG. 2

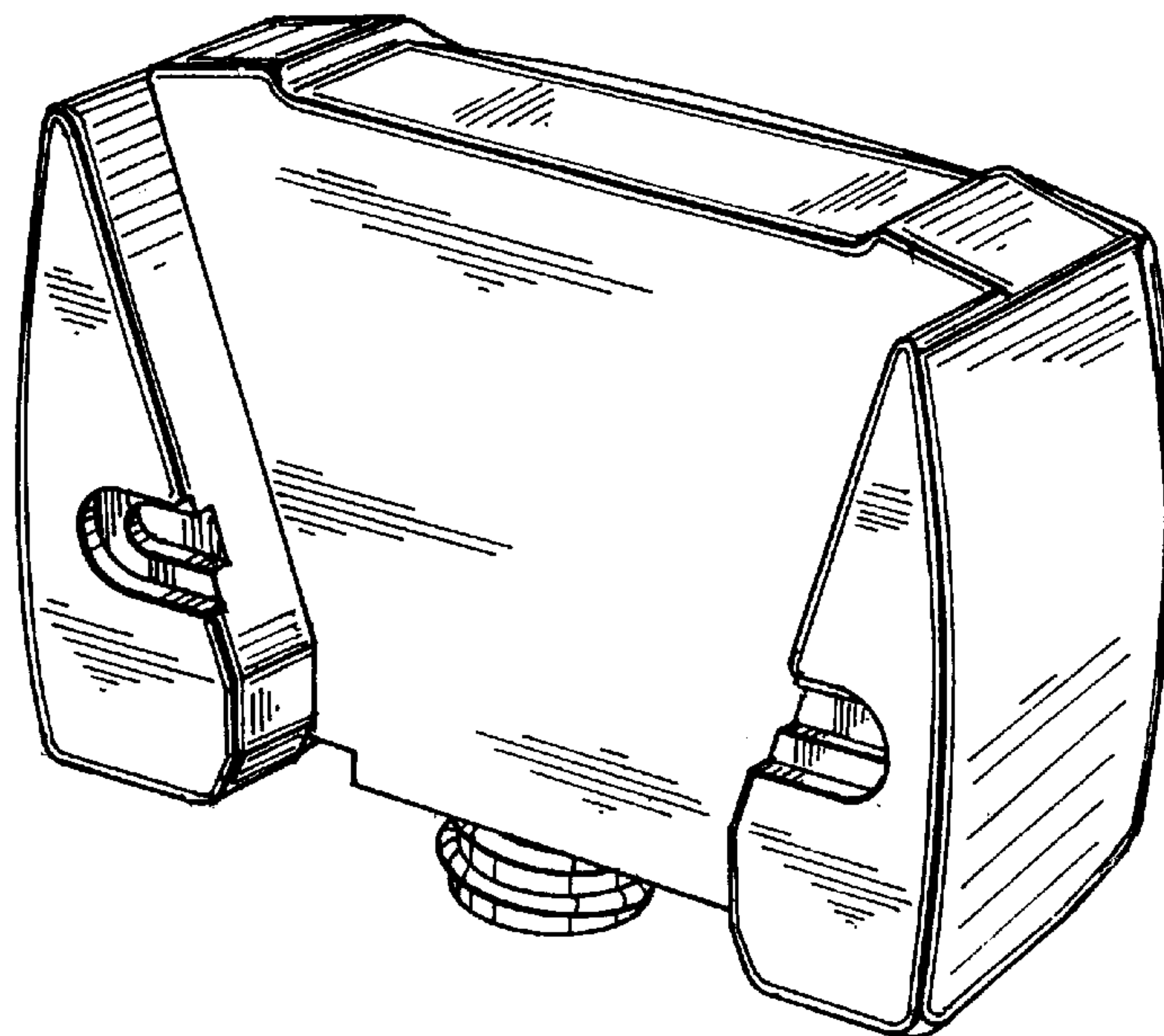


FIG. 3

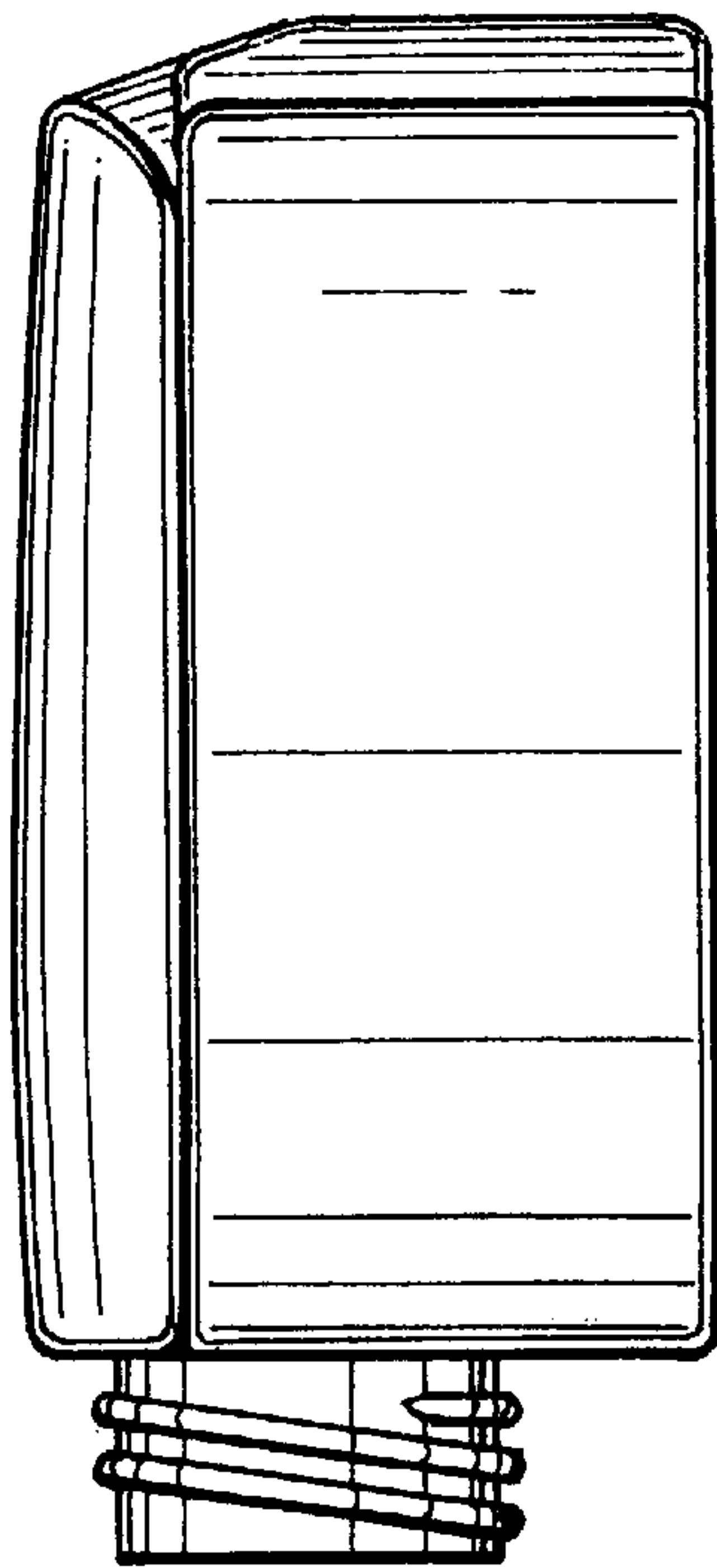
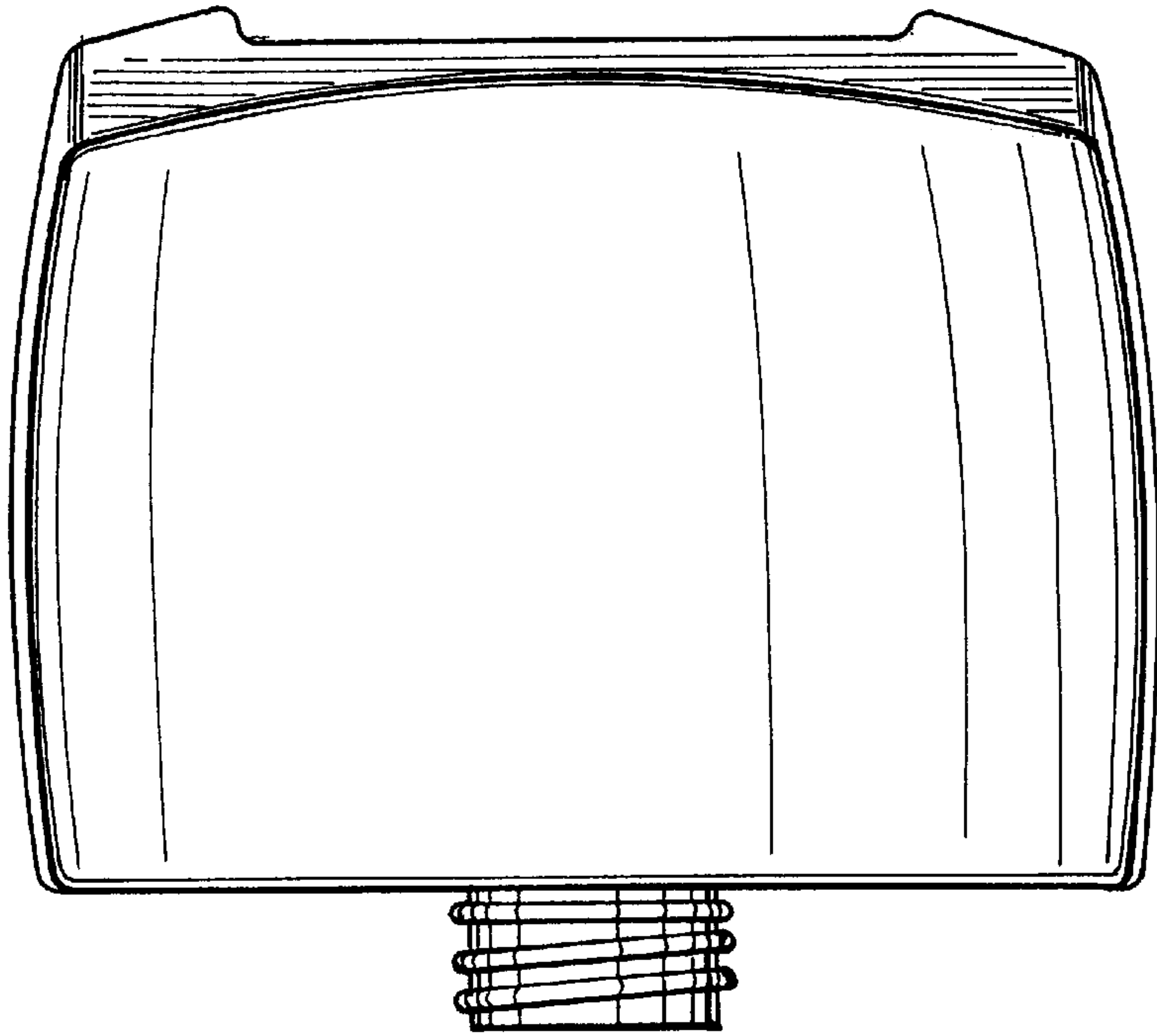


FIG. 4

FIG. 5

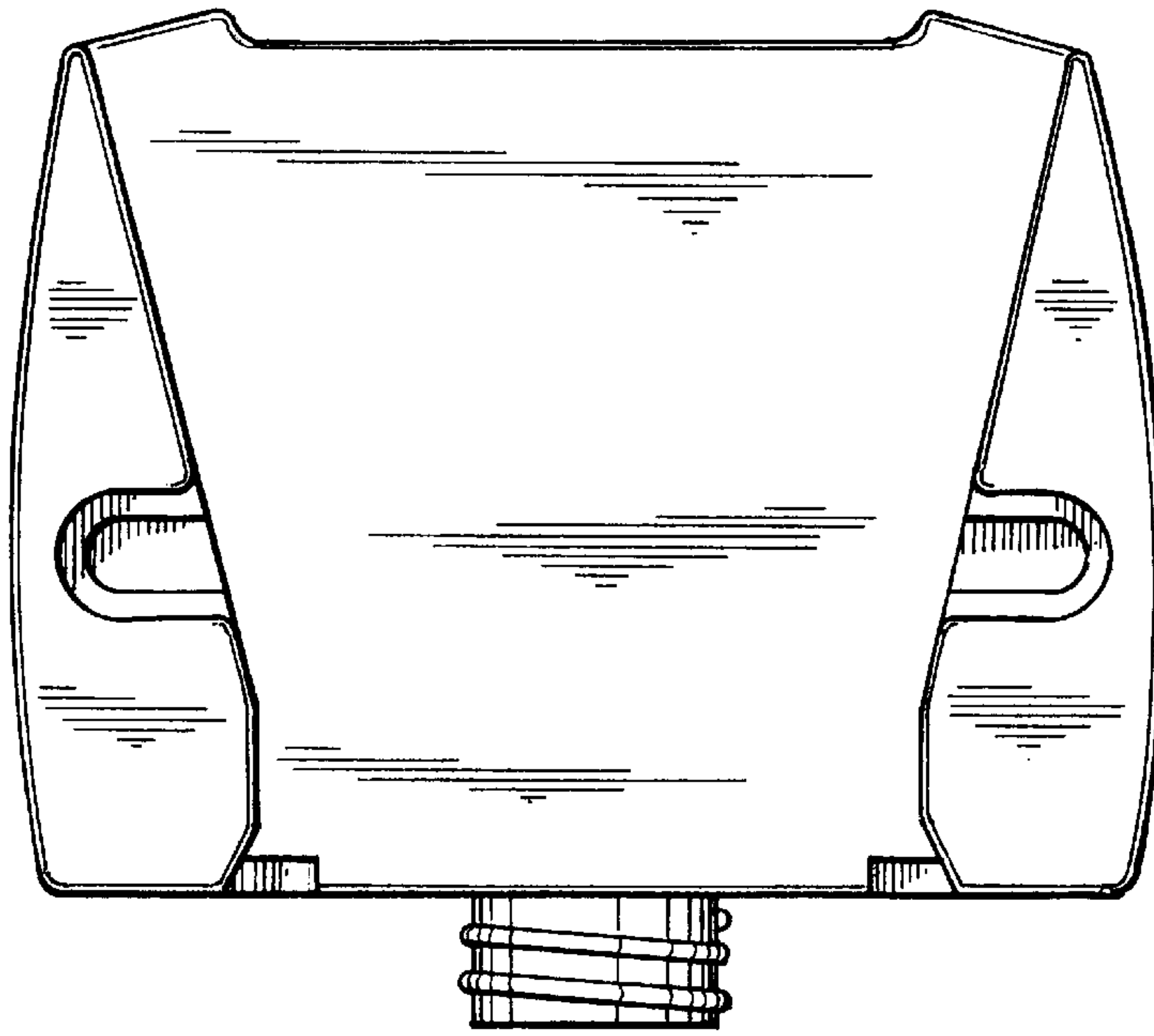


FIG. 6

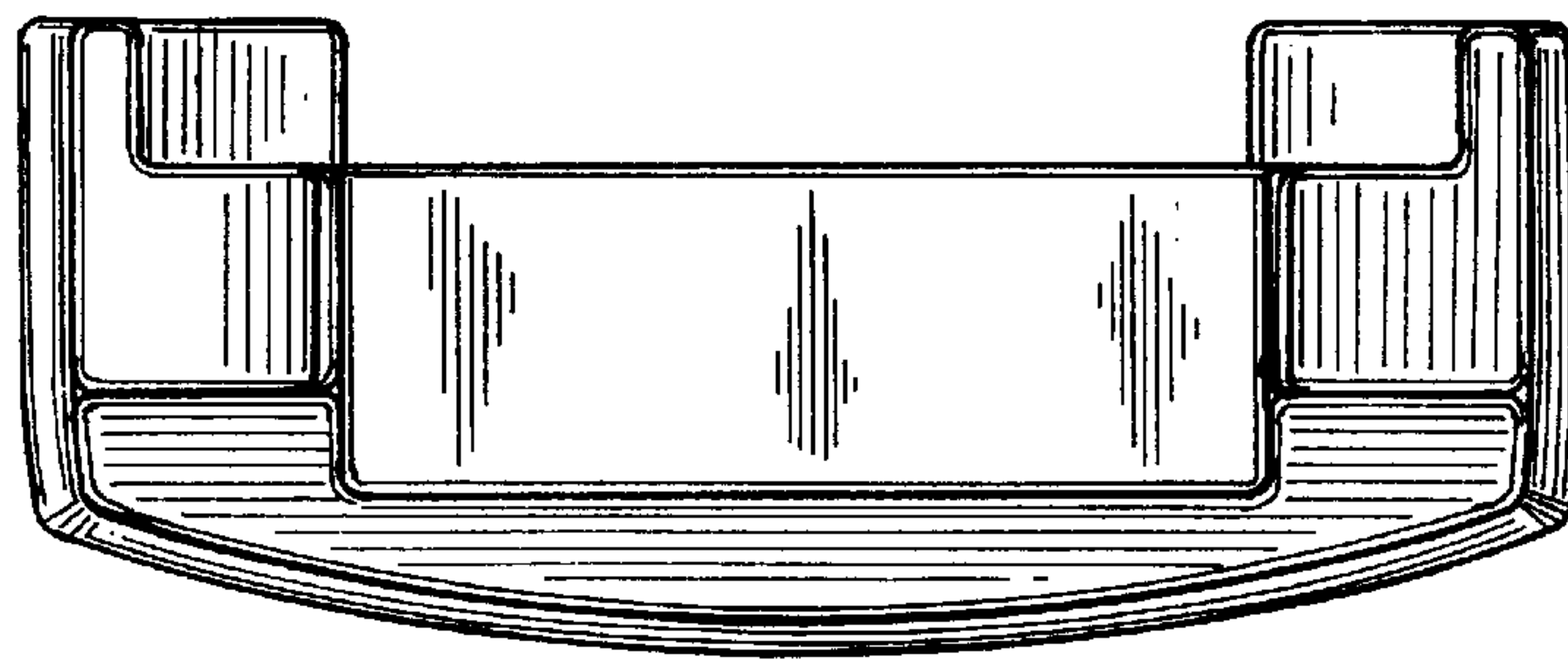


FIG. 7

