



US00D421288S

# United States Patent [19] Yamaguchi

[11] Patent Number: Des. 421,288

[45] Date of Patent: \*\* Feb. 29, 2000

[54] SPOOL FOR A FISHING SPINNING REEL

[75] Inventor: Kaname Yamaguchi, Higashikurume, Japan

[73] Assignee: Daiwa Seiko, Inc., Tokyo, Japan

[\*] Notice: This patent is subject to a terminal disclaimer.

[\*\*] Term: 14 Years

[21] Appl. No.: 29/088,455

[22] Filed: May 22, 1998

### Related U.S. Application Data

[62] Division of application No. 29/063,108, Nov. 27, 1996, abandoned.

### [30] Foreign Application Priority Data

Jun. 6, 1996 [JP] Japan ..... 8-16674  
Jun. 6, 1996 [JP] Japan ..... 8-16675

[51] LOC (6) Cl. .... 22-05

[52] U.S. Cl. .... D22/137

[58] Field of Search ..... D22/137, 140,  
D22/141, 138; 242/118.3, 118.4, 118.6,  
118.7, 129.5, 129.7, 311, 322, 613.1, 613.2;  
D21/445, 455, 460, 461, 463

### [56] References Cited

#### U.S. PATENT DOCUMENTS

D. 369,847 5/1996 Kuntze ..... D22/137

D. 393,689 4/1998 Kaneko et al. .... D22/141  
5,333,813 8/1994 Hirano ..... 242/322  
5,456,418 10/1995 Hitomi ..... 242/322  
5,476,230 12/1995 Yamaguchi ..... 242/311

### OTHER PUBLICATIONS

Cabela, Spring 1995, p. 1, Spinning Reel, Feb. 7, 1995.

Primary Examiner—Stella Reid  
Assistant Examiner—Inga-Maria Hyttinen  
Attorney, Agent, or Firm—J. Warren Whitesel; Laff, Whitesel & Saret, Ltd.

### [57] CLAIM

The ornamental design for a spool for a fishing spinning reel, as shown and described.

### DESCRIPTION

FIG. 1 is a front and left side perspective view of a spool for a fishing spinning reel, showing my new design;  
FIG. 2 is a front and right side perspective view thereof;  
FIG. 3 is a front elevational view thereof; the opposite side being a mirror image thereof; and a top plan view and a bottom plan view being identical thereof;  
FIG. 4 is a right side elevational view thereof;  
FIG. 5 is a left side elevational view thereof;  
FIG. 6 is a central vertical cross-sectional view thereof;  
FIG. 7 is a front and left side perspective view of a second embodiment of the spool for a fishing spinning reel; and, FIG. 8 is a front and right side perspective view of FIG. 7.

1 Claim, 3 Drawing Sheets

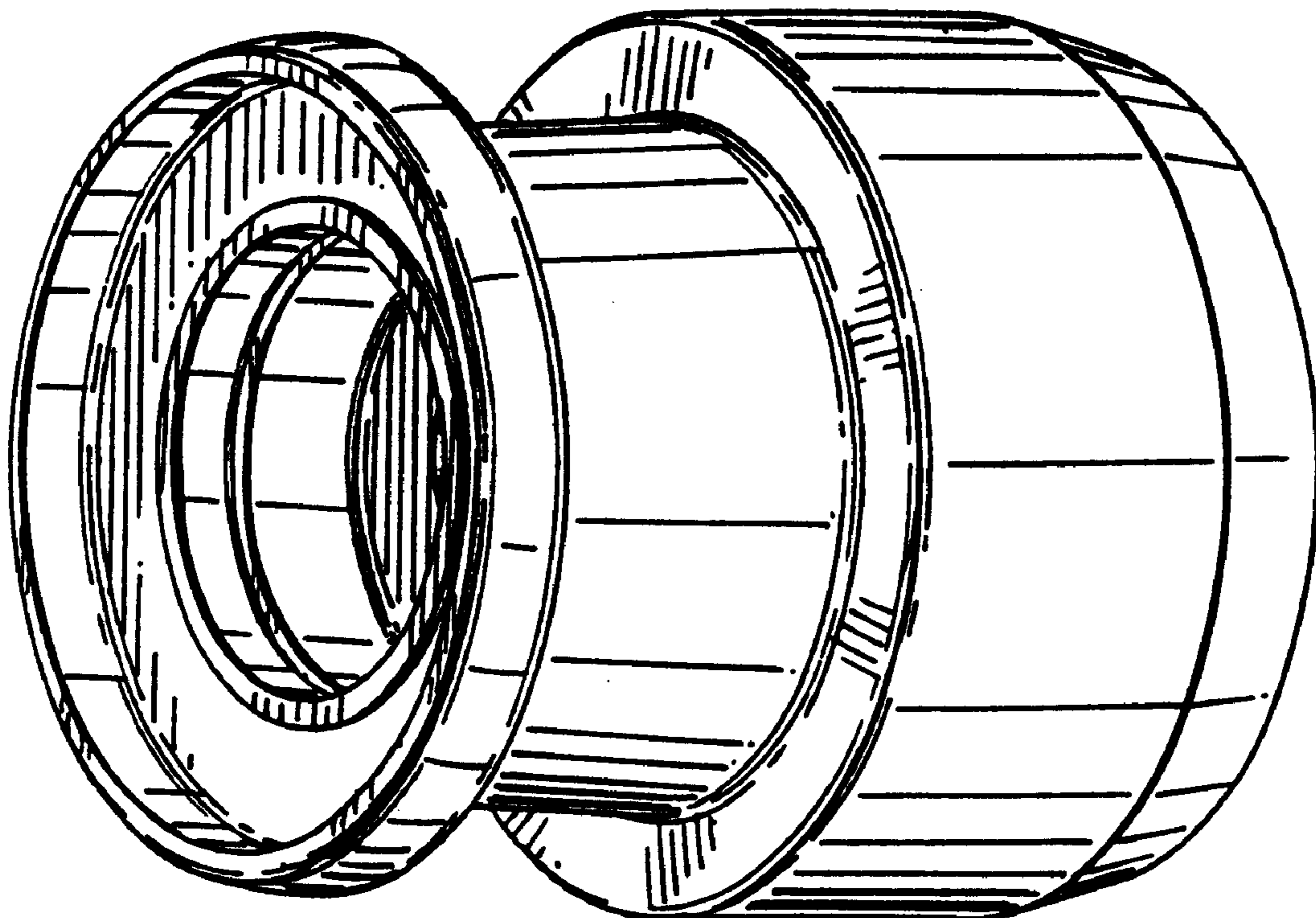


FIG. 1

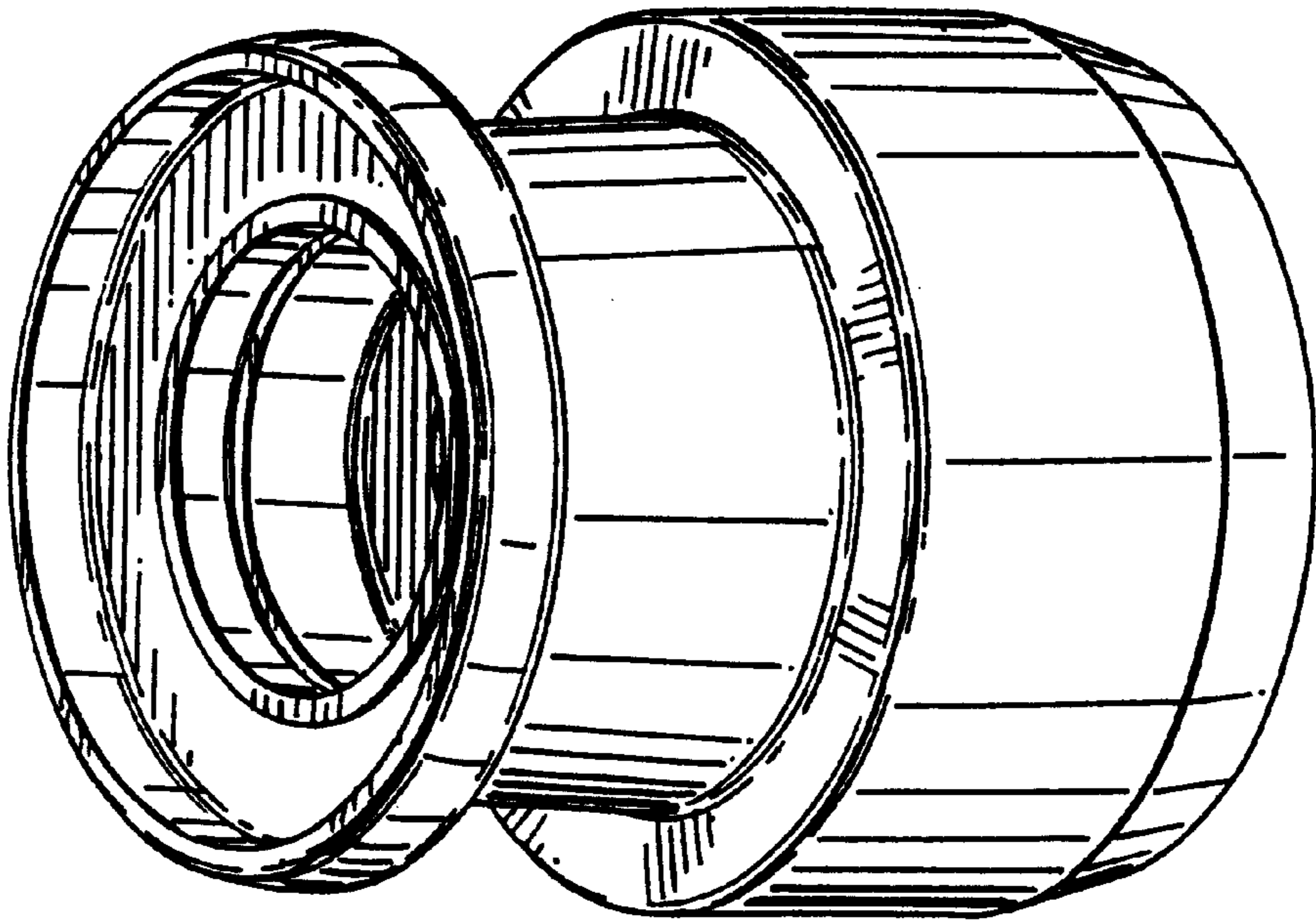


FIG. 2

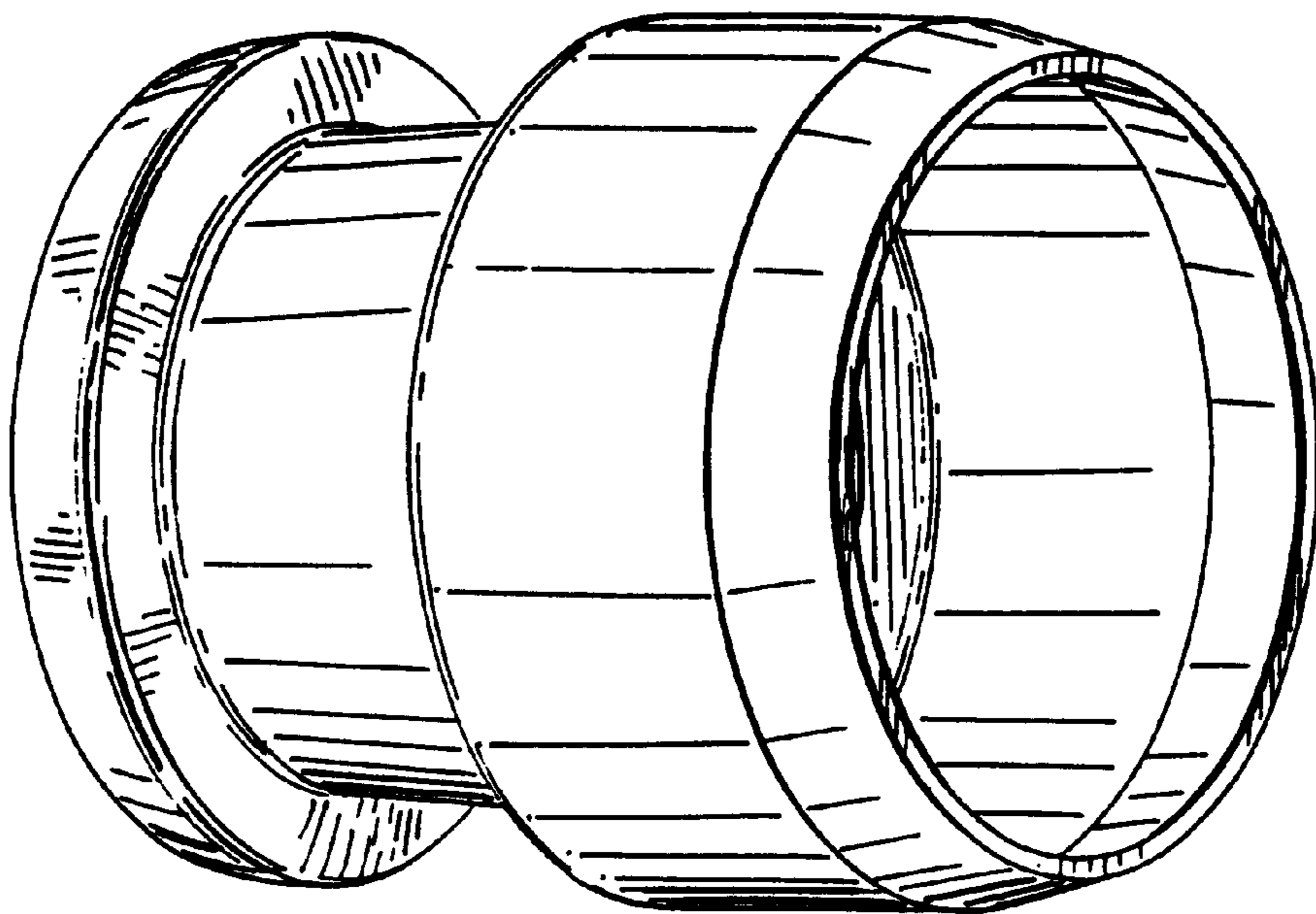


FIG. 3

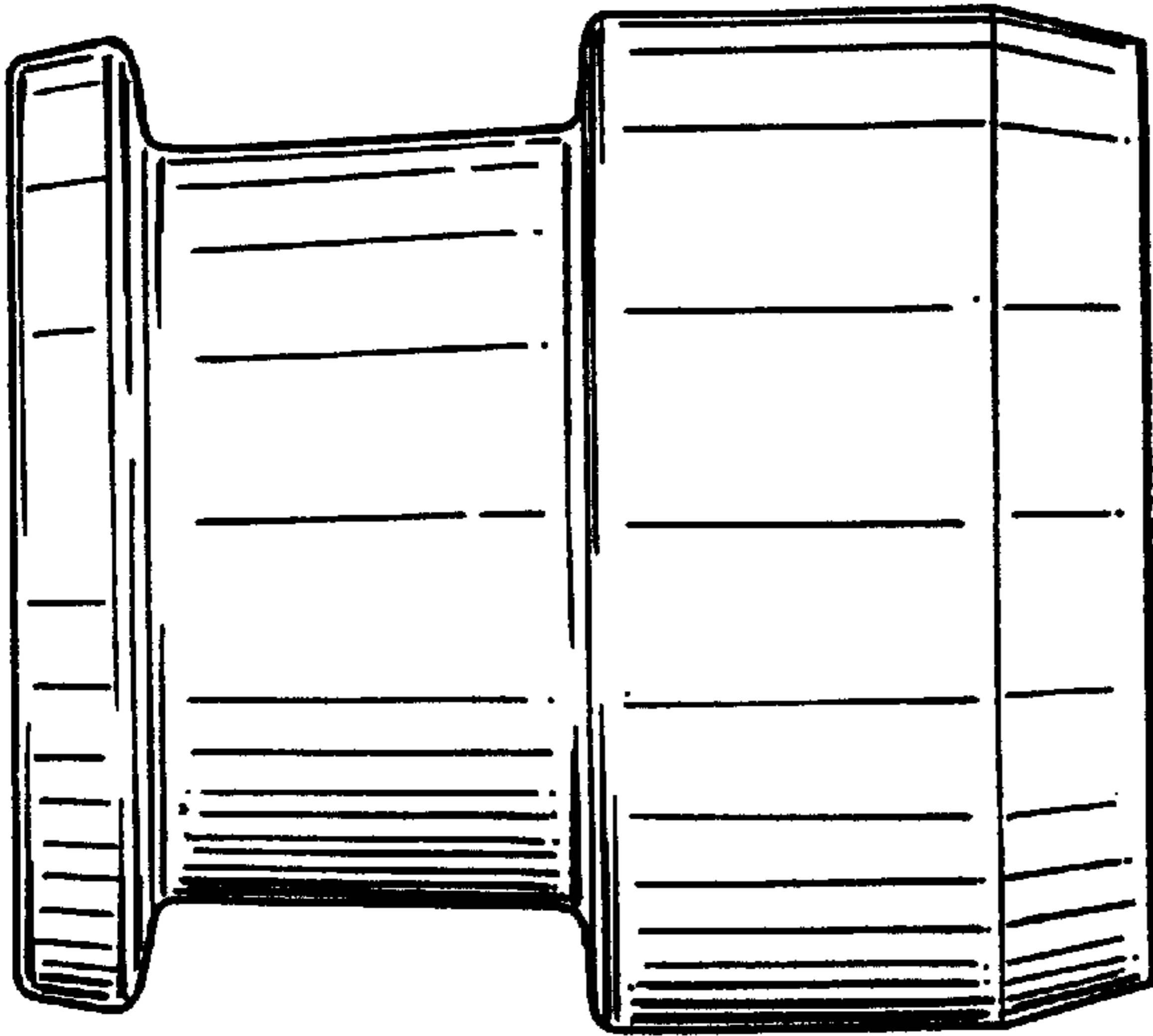


FIG. 4

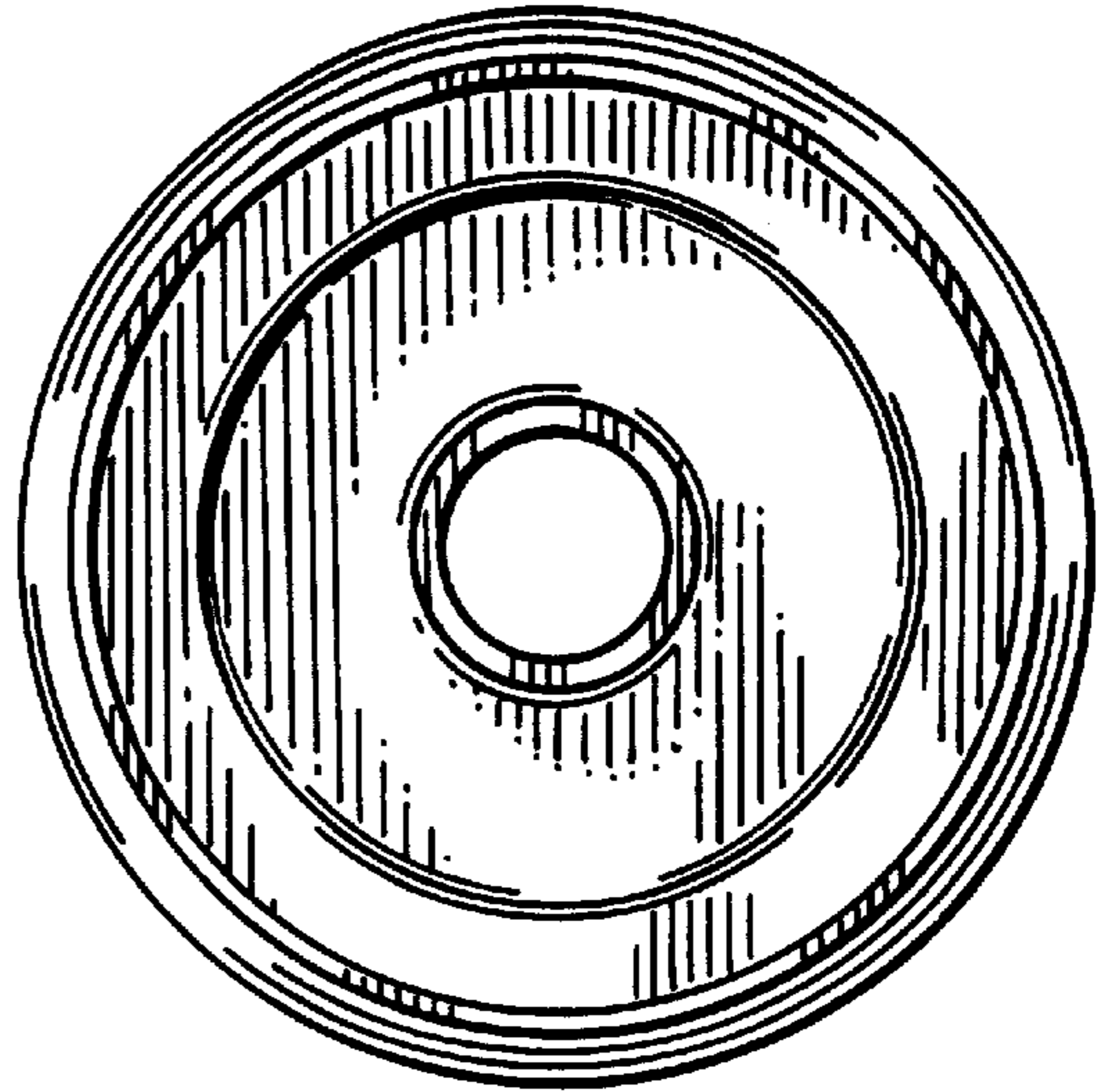


FIG. 5

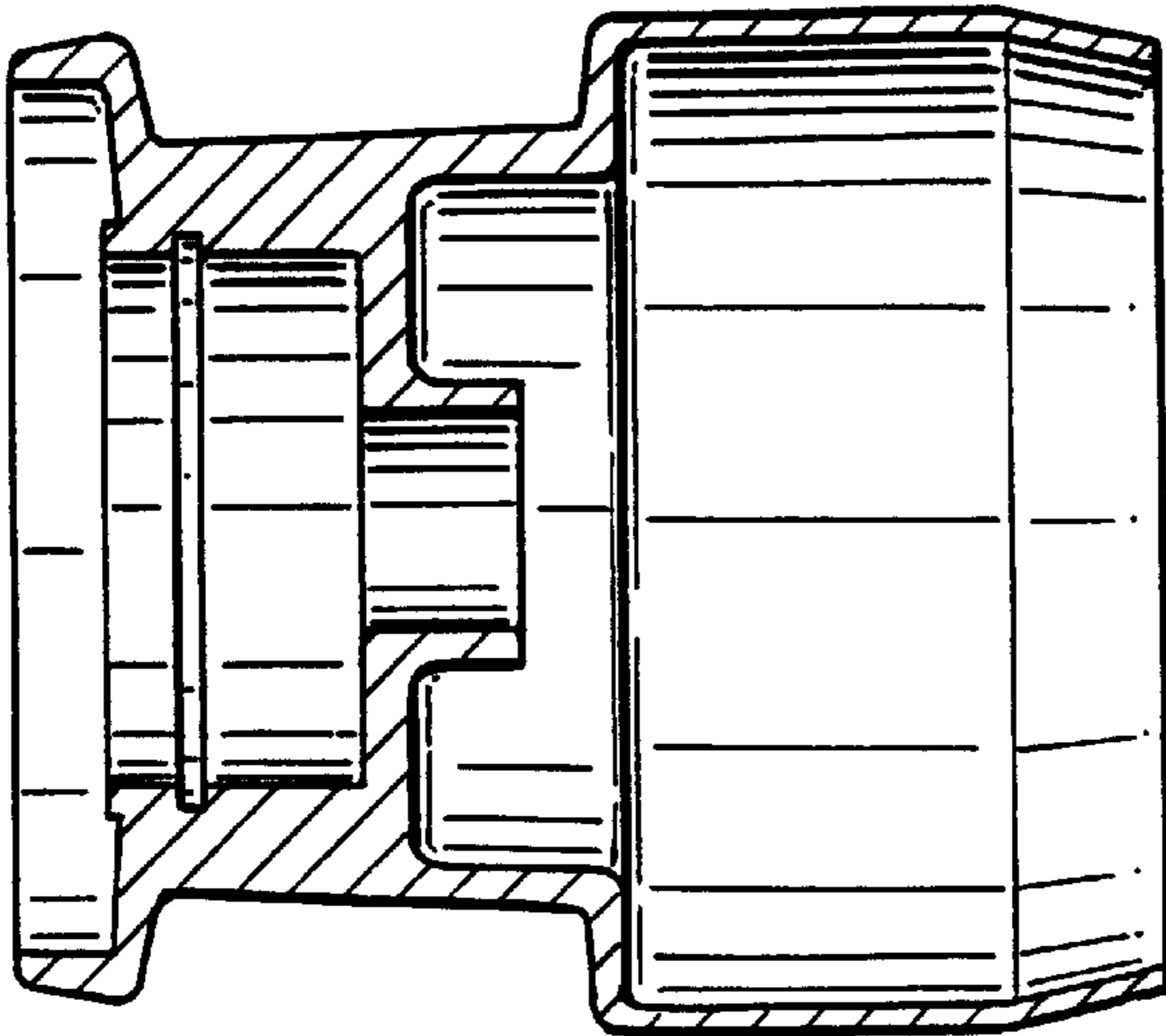


FIG. 6

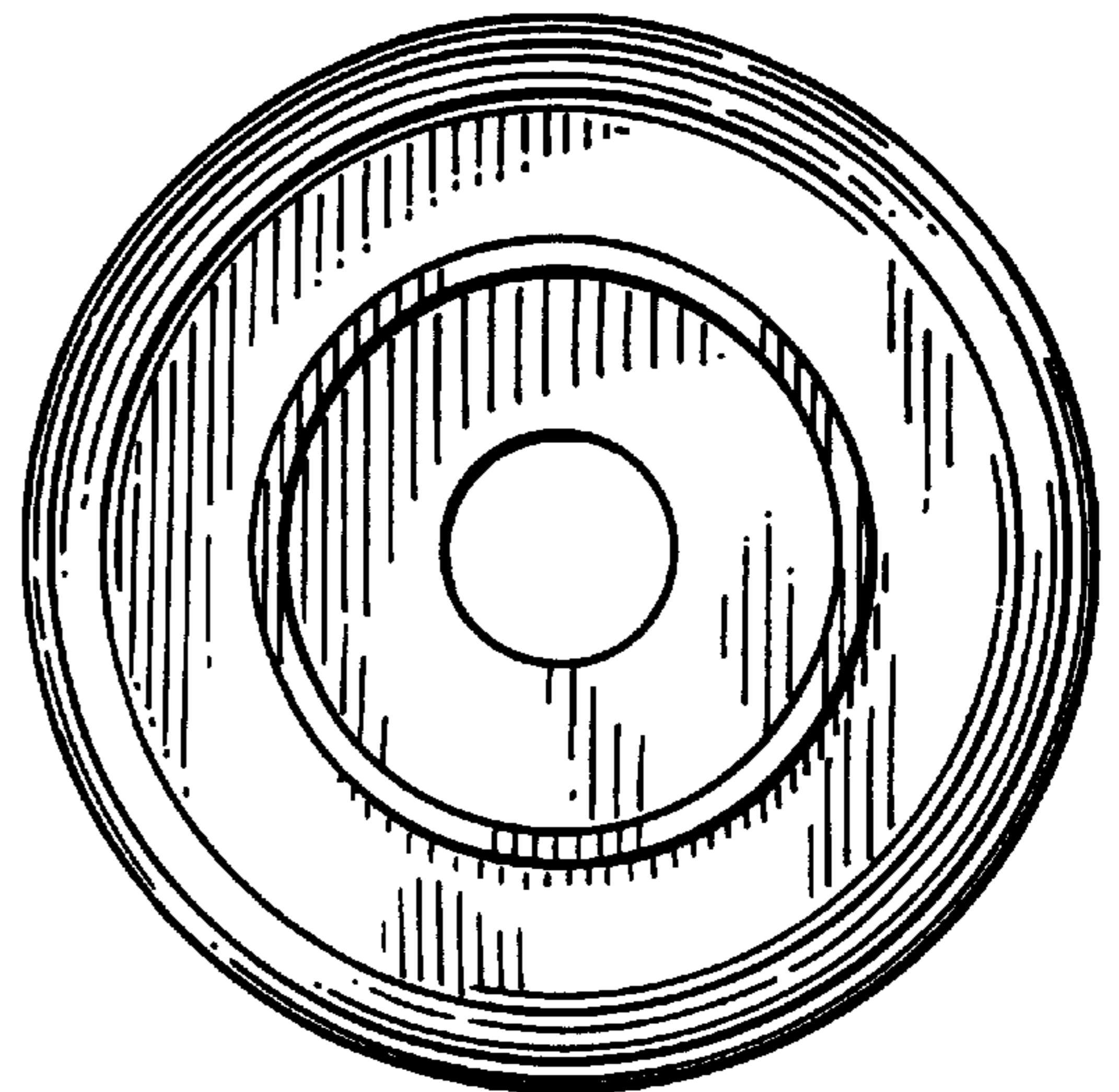


FIG. 7

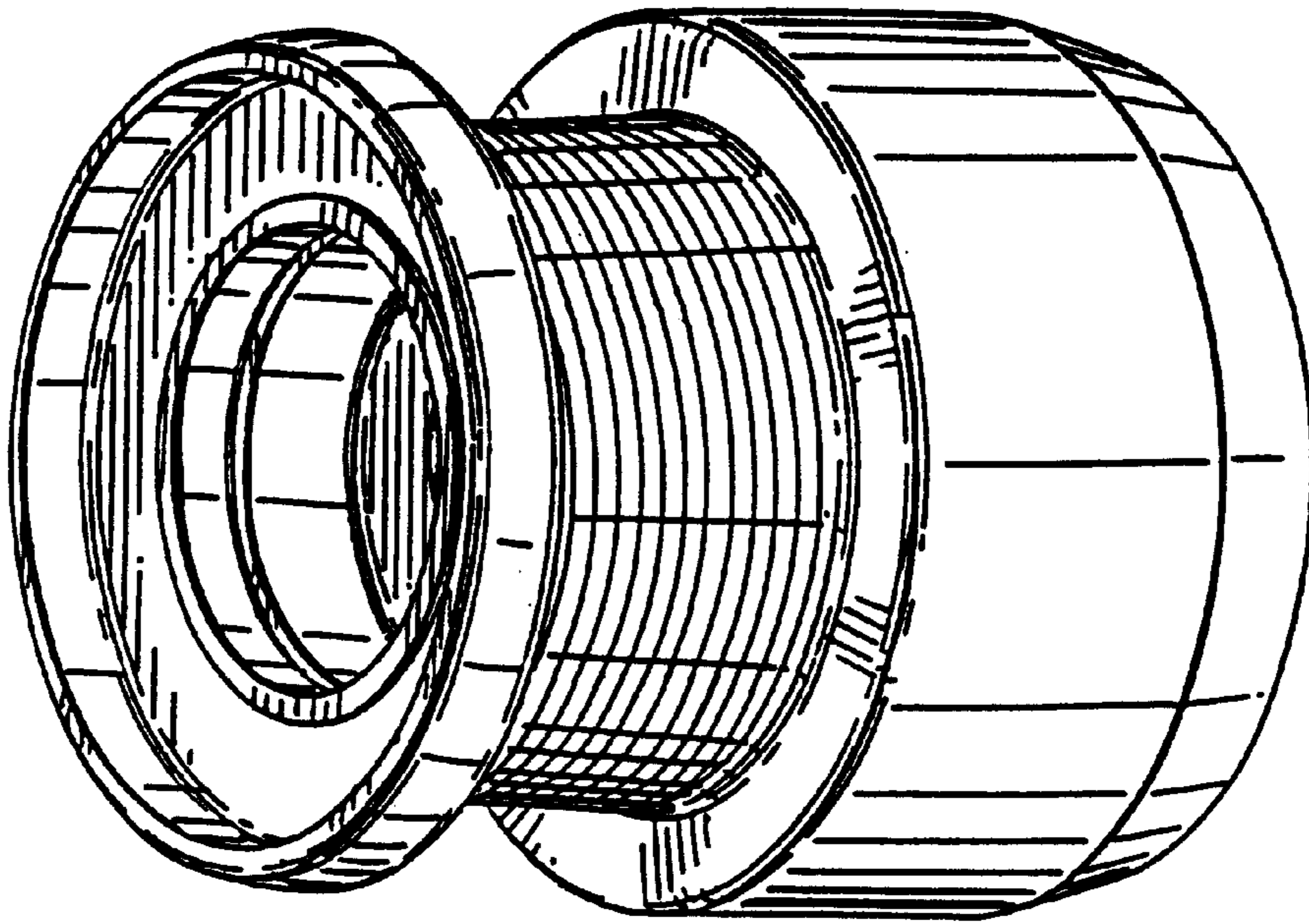


FIG. 8

