



US00D421286S

**United States Patent** [19]  
**Tucker**

[11] **Patent Number: Des. 421,286**

[45] **Date of Patent: \*\* Feb. 29, 2000**

[54] **LOW PROFILE RIFLE SIGHT**

[75] Inventor: **Allen Tucker**, Portland, Oreg.

[73] Assignee: **Leupold & Stevens, Inc.**, Beaverton, Oreg.

[\*\*] Term: **14 Years**

[21] Appl. No.: **29/078,316**

[22] Filed: **Oct. 20, 1997**

[51] **LOC (6) Cl.** ..... **22-01**

[52] **U.S. Cl.** ..... **D22/109; D16/130; D16/132; D22/110**

[58] **Field of Search** ..... **D22/100, 108, D22/109; 42/101; 33/245, 246, 247, 248, 249, 250; D16/130, 132**

[56] **References Cited**

**U.S. PATENT DOCUMENTS**

D. 369,367	4/1996	Tomita	.....	D16/130	X
2,997,916	8/1961	Friedman et al.	.....	33/245	X
3,392,450	7/1968	Herter et al.	.....	33/246	
4,395,096	7/1983	Gibson	.....	33/245	X
4,777,730	10/1988	Huggins	.....	33/246	
4,822,994	4/1989	Johnson et al.	.....	33/246	
5,787,630	8/1998	Martel	.....	33/247	

**OTHER PUBLICATIONS**

Leupold & Stevens, Inc., Leupold 1997 Catalog (Nov. 5, 1996). pp. 1-45.

Leupold & Stevens, Inc., Leupold Field Guide to 1997 Optical Products (Nov. 5, 1996).

*Primary Examiner*—Louis S. Zarfes  
*Assistant Examiner*—Monica A. Weingart  
*Attorney, Agent, or Firm*—Stoel Rives LLP

[57] **CLAIM**

I claim the ornamental design for a low profile rifle sight, as shown and described.

**DESCRIPTION**

FIG. 1 is a perspective view of a low profile rifle sight embodying my new design of the present invention.

FIG. 2 is a top plan view thereof;

FIG. 3 is a bottom plan view thereof;

FIG. 4 is a right side elevational view thereof;

FIG. 5 is a left side elevational view thereof;

FIG. 6 is an objective end view thereof;

FIG. 7 is an eyepiece end view thereof;

FIG. 8 is a perspective view of a second embodiment of the low profile rifle sight of FIGS. 1-7;

FIG. 9 is a top plan view thereof;

FIG. 10 is a bottom plan view thereof;

FIG. 11 is a right side elevational view thereof;

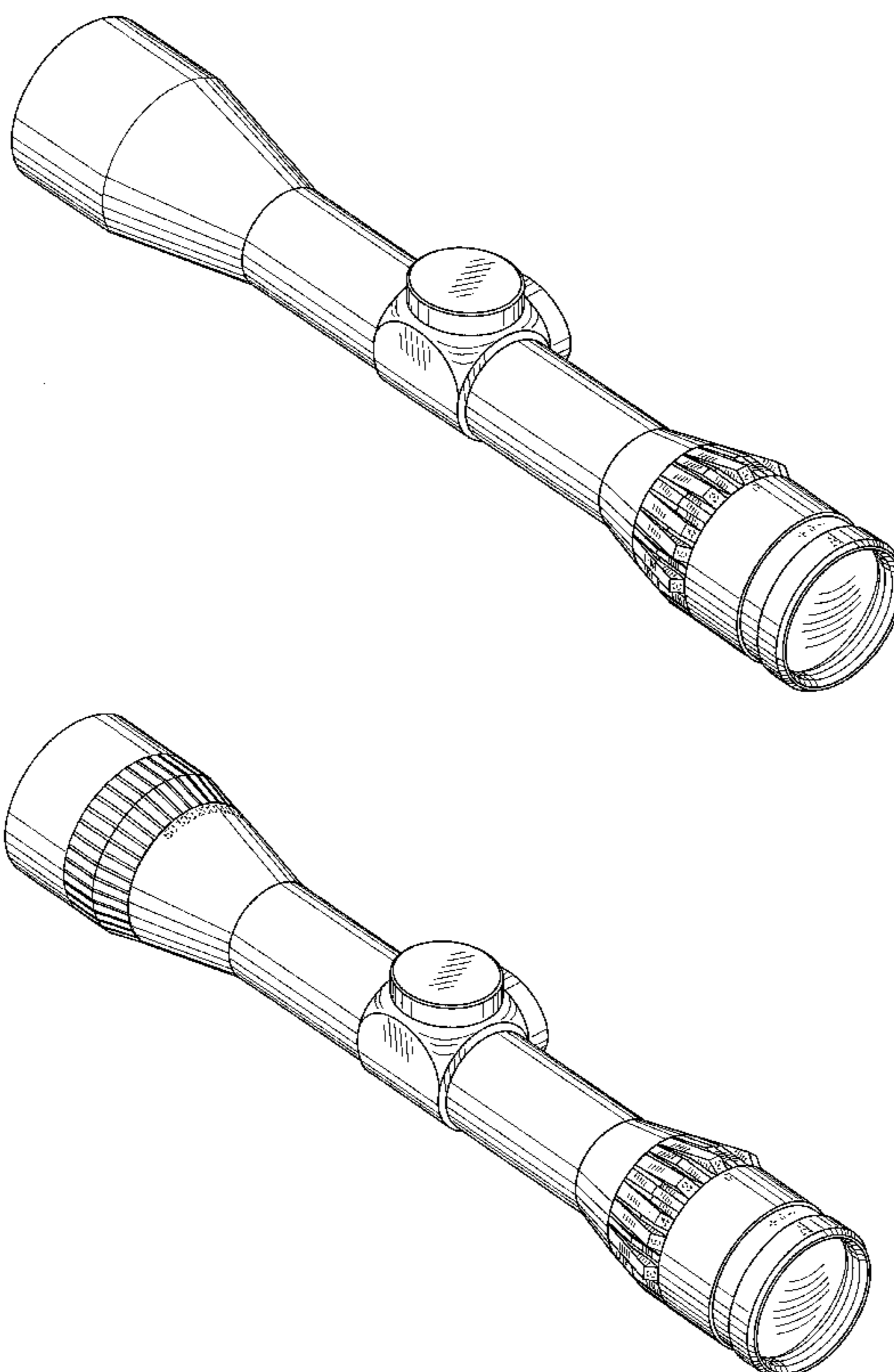
FIG. 12 is a left side elevational view thereof;

FIG. 13 is an objective end view thereof; and,

FIG. 14 is an eyepiece end view thereof.

The broken lines showing of indicia and numerals on the surface of the low profile rifle sight in FIGS. 1 and 8 are illustrative of the environmental structure only and form no part of the claimed design.

**1 Claim, 6 Drawing Sheets**



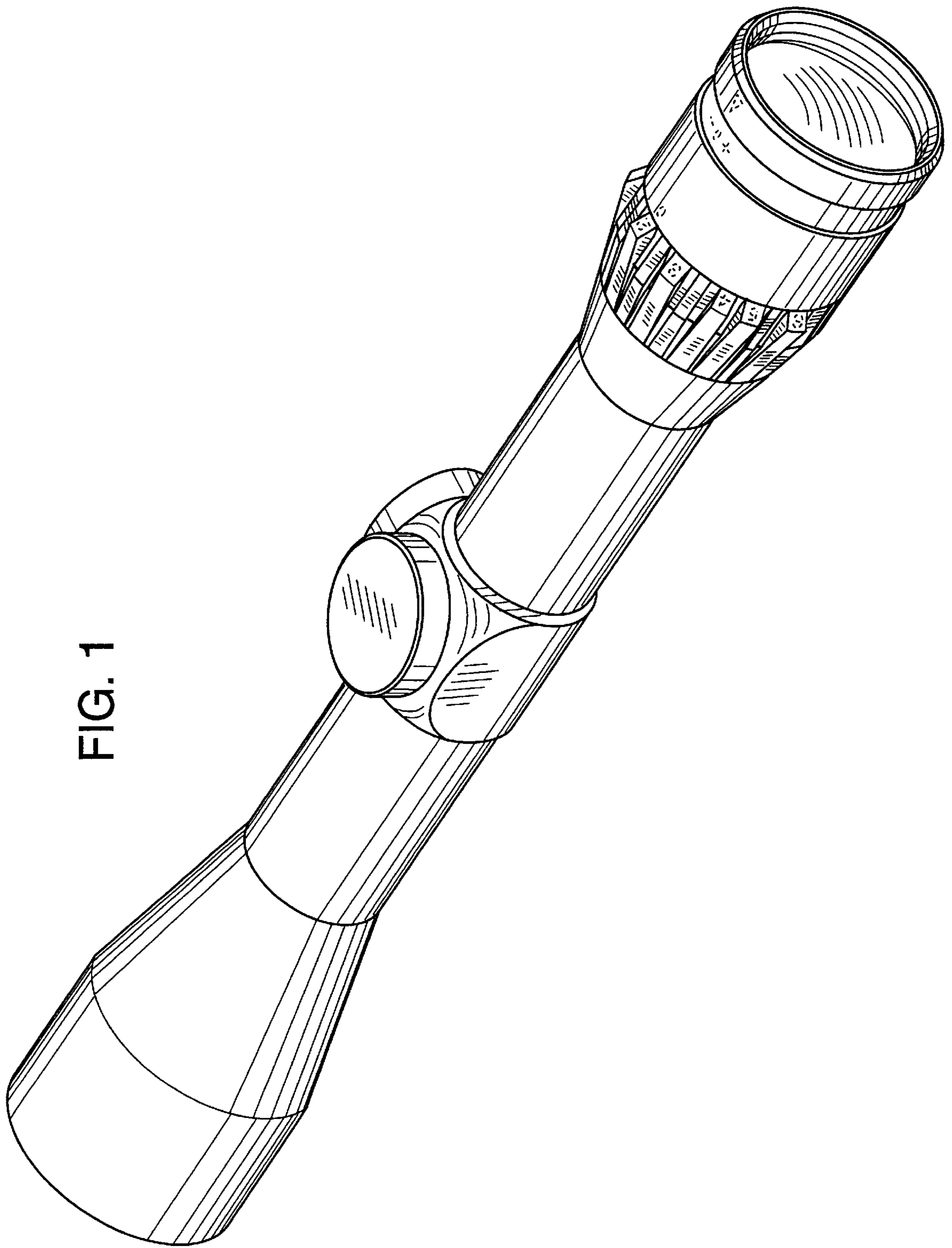


FIG. 1

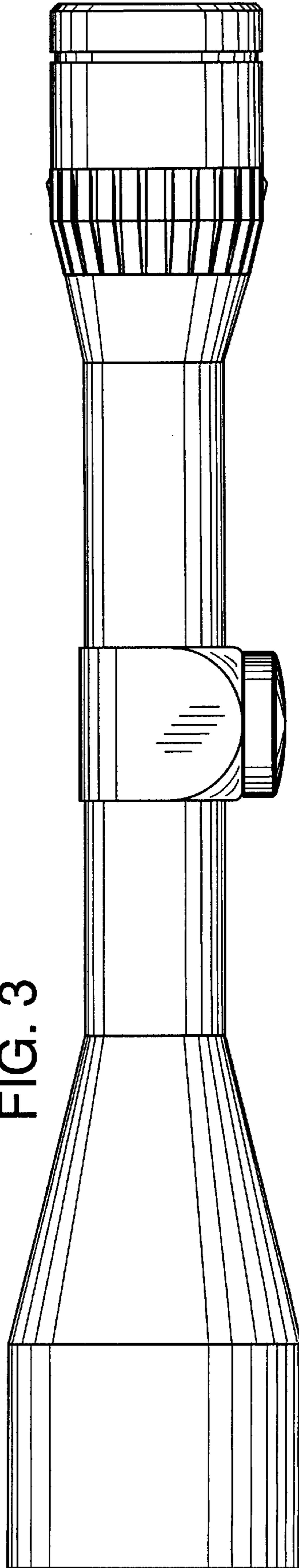
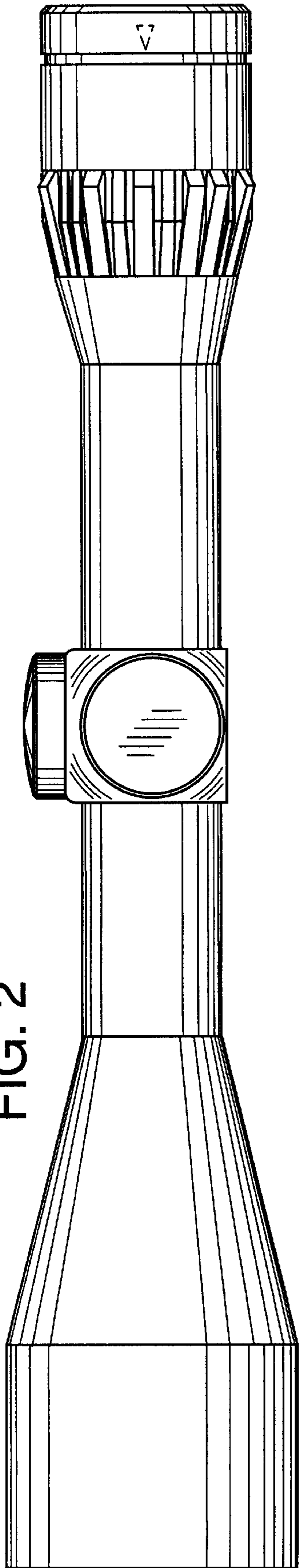


FIG 4

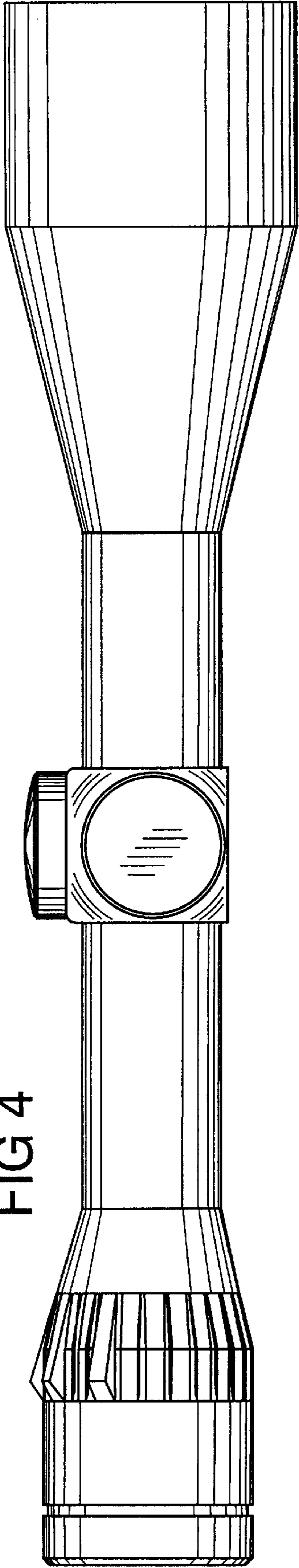


FIG. 5

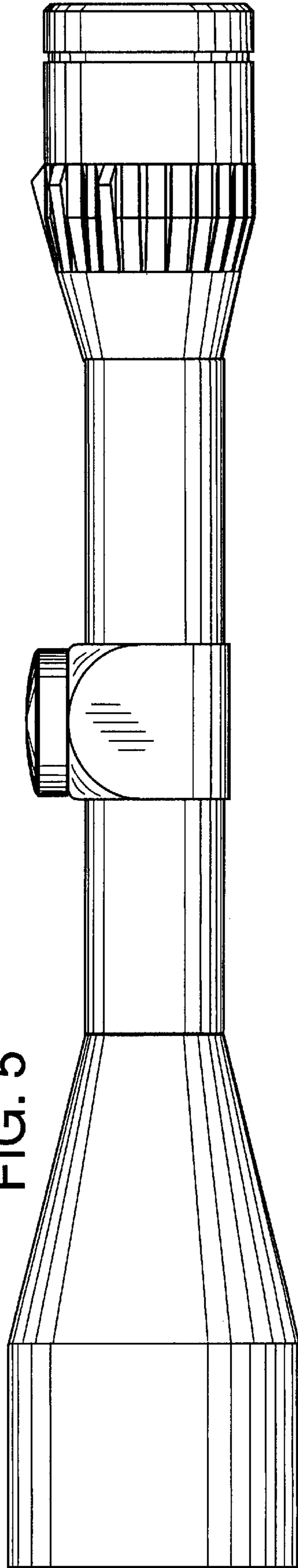


FIG. 6

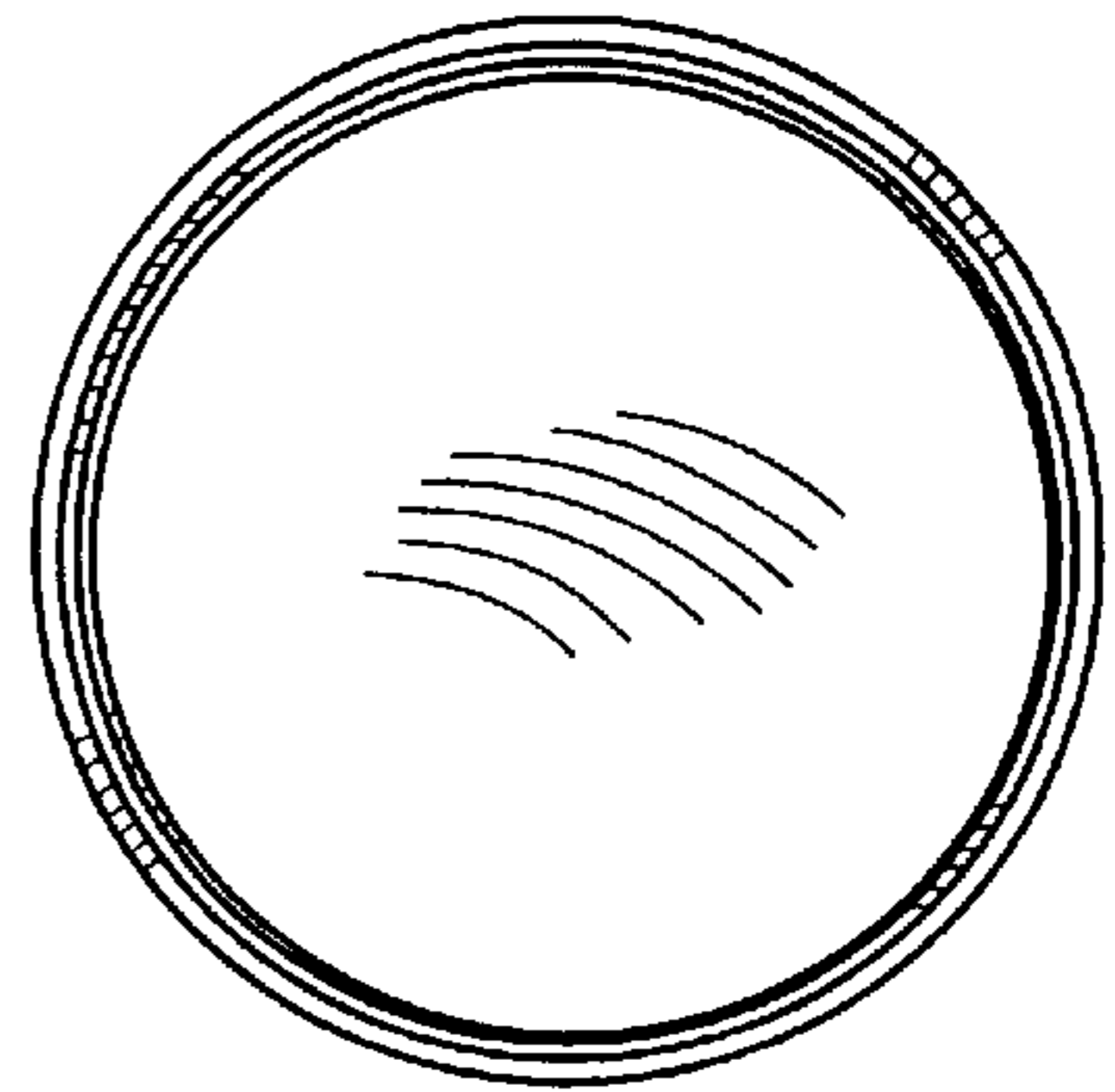


FIG. 7

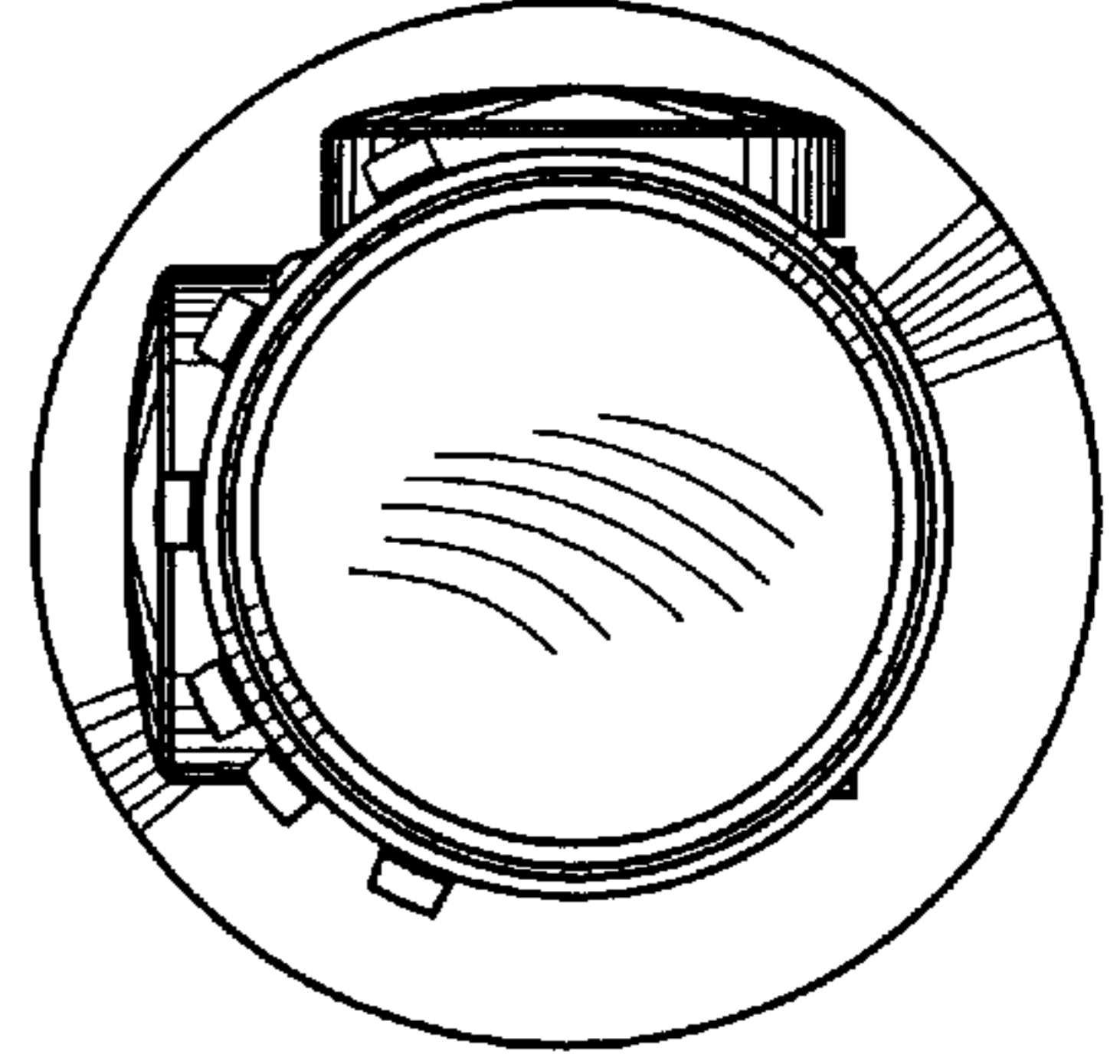
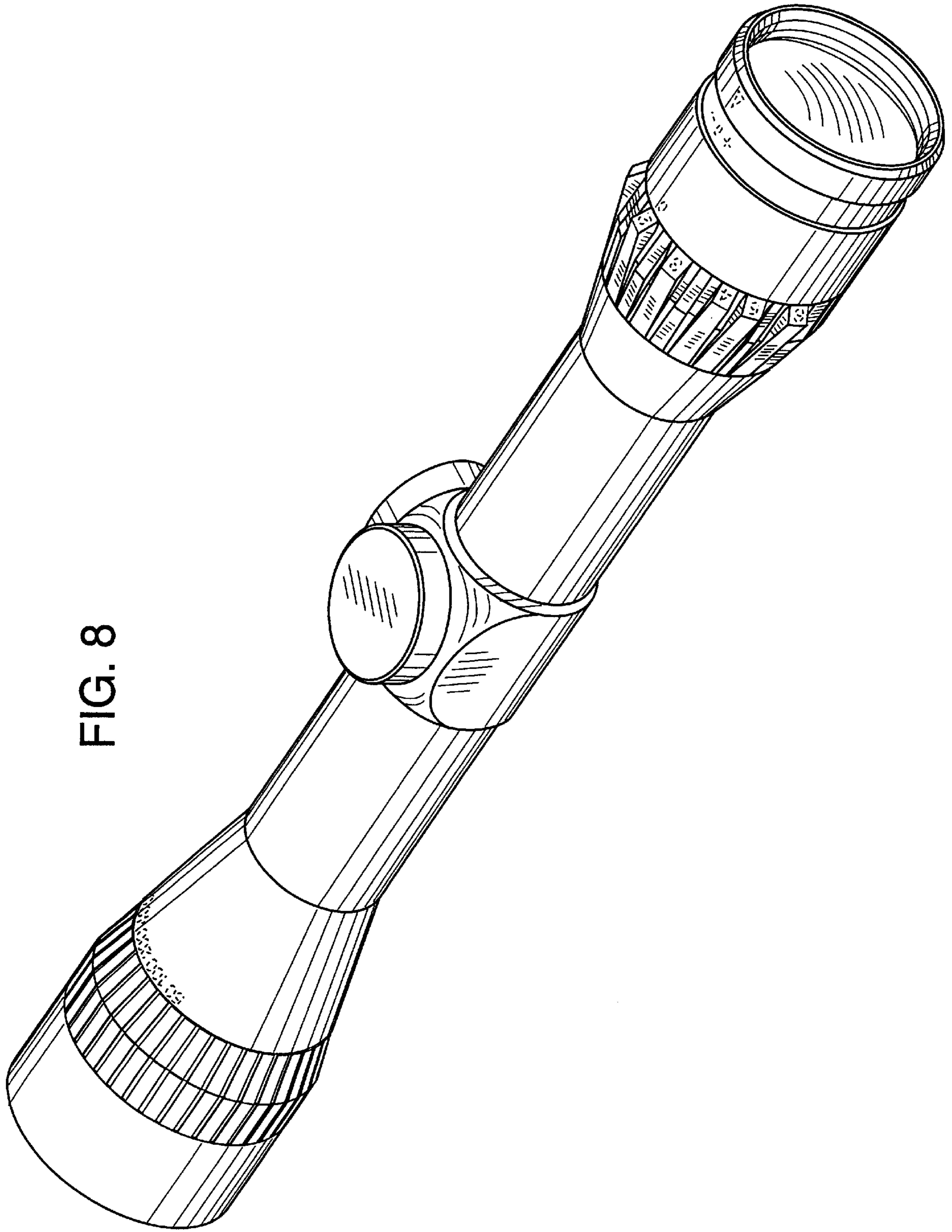
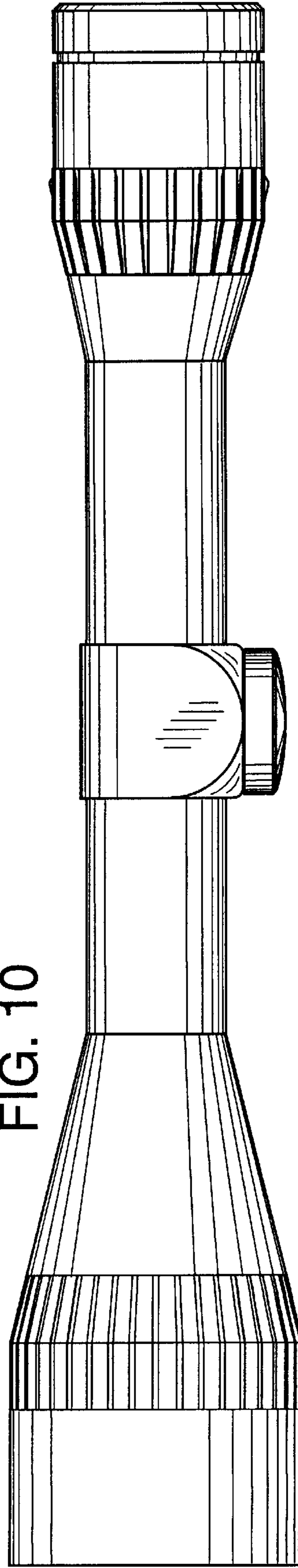
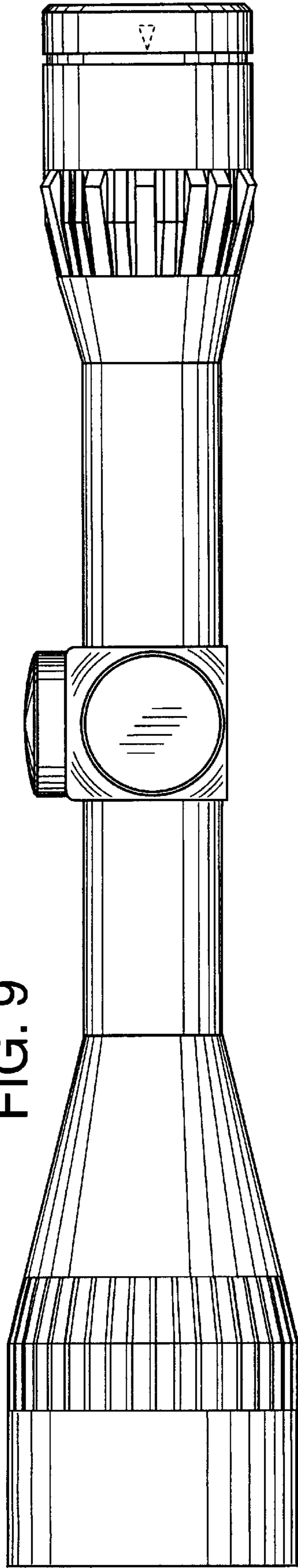


FIG. 8





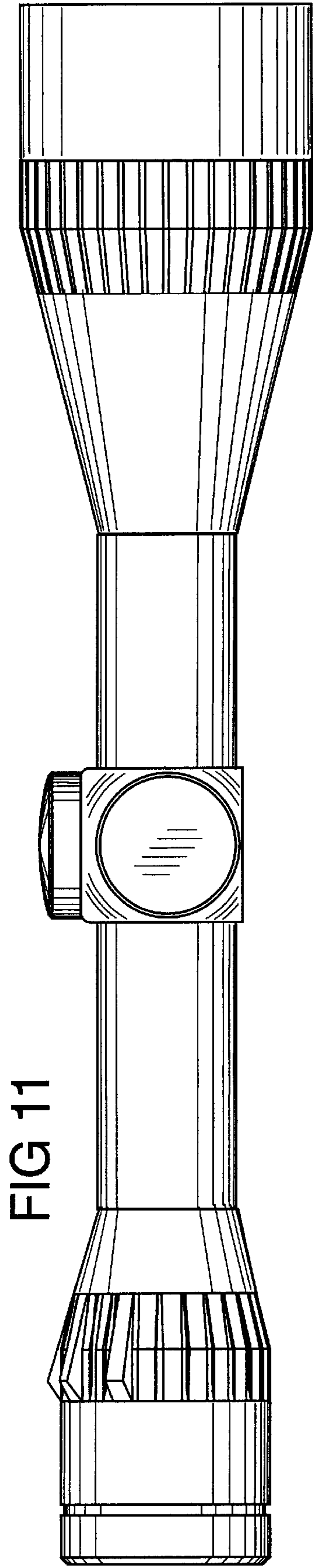


FIG. 11

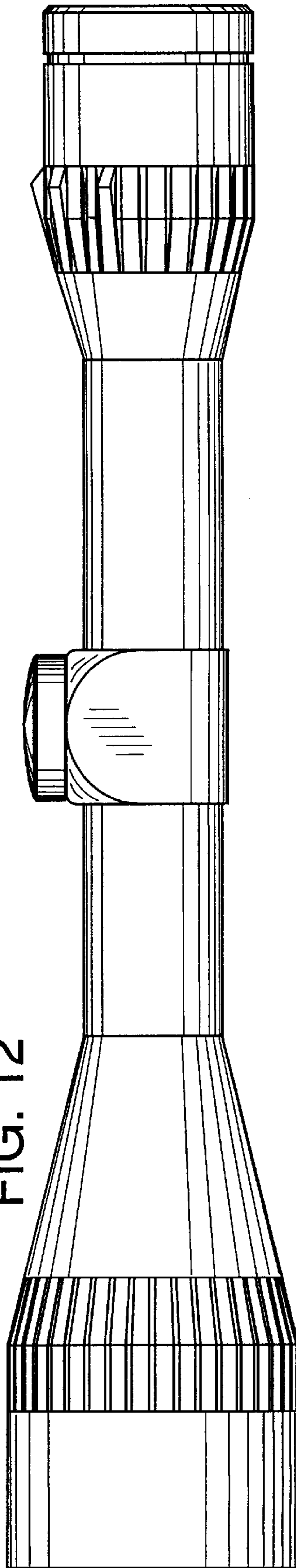


FIG. 12

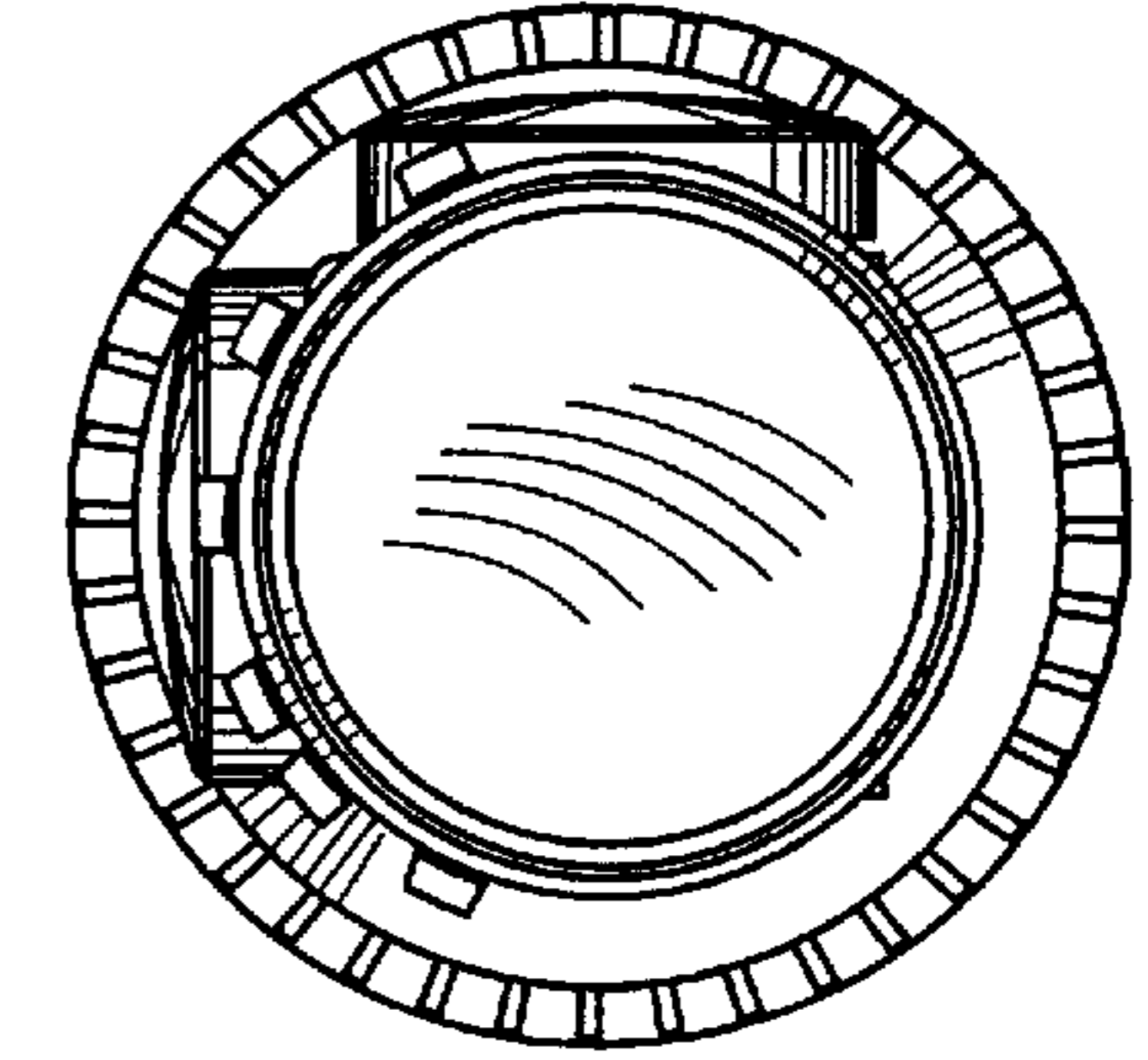


FIG. 14

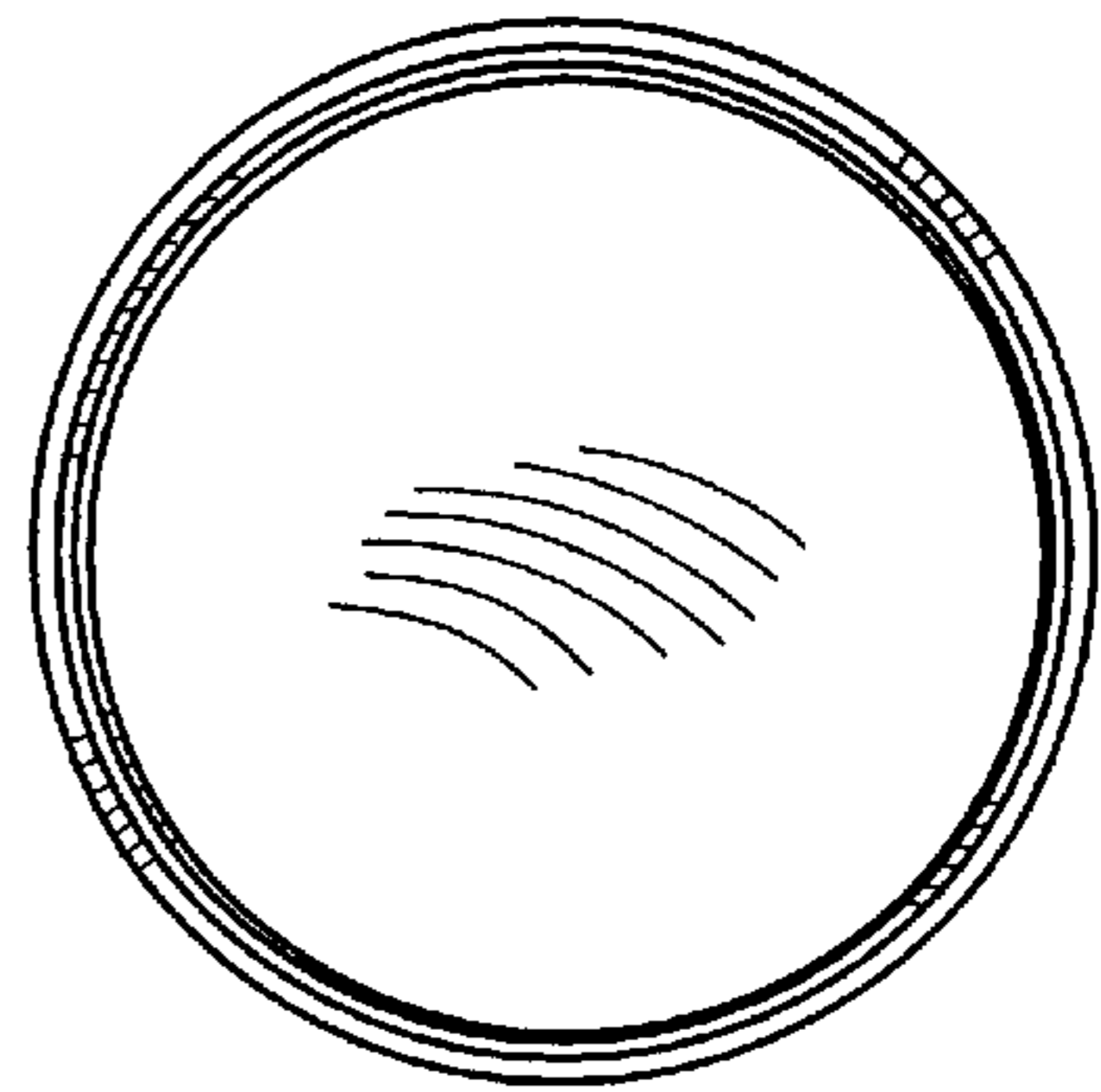


FIG. 13