



US00D421284S

United States Patent [19] Huang

[11] Patent Number: Des. 421,284

[45] Date of Patent: ** Feb. 29, 2000

[54] CRANE MACHINE

[76] Inventor: **Jammy Huang**, No.2-1, Alley 7, Lane 120, Ming-Sheng St., Hsiao-Kang Dist., Kaohsiung, Taiwan

[**] Term: **14 Years**

[21] Appl. No.: **29/102,921**

[22] Filed: **Apr. 2, 1999**

[51] LOC (6) Cl. **21-03**

[52] U.S. Cl. **D21/811**

[58] Field of Search D21/811-813;
273/447, 448, 442, 487, 488; 221/210;
312/265.3, 265.5

[56] **References Cited**

U.S. PATENT DOCUMENTS

D. 80,489	2/1930	Meyer	D21/811
D. 86,580	3/1932	Meyer	D21/811
D. 87,934	10/1932	Meyer	D21/811
D. 90,242	7/1933	Gast	D21/811

D. 90,410	8/1933	Meyer	D21/811
D. 95,156	4/1935	Soellner	D21/811
D. 366,304	1/1996	Lewis	D21/811
D. 386,231	11/1997	Wej	D21/811
D. 389,891	1/1998	Kawasaki	D21/811
5,271,628	12/1993	Okada	273/448
5,527,044	6/1996	Lee et al.	273/448

Primary Examiner—Mitchell Siegel
Attorney, Agent, or Firm—Dellett and Walters

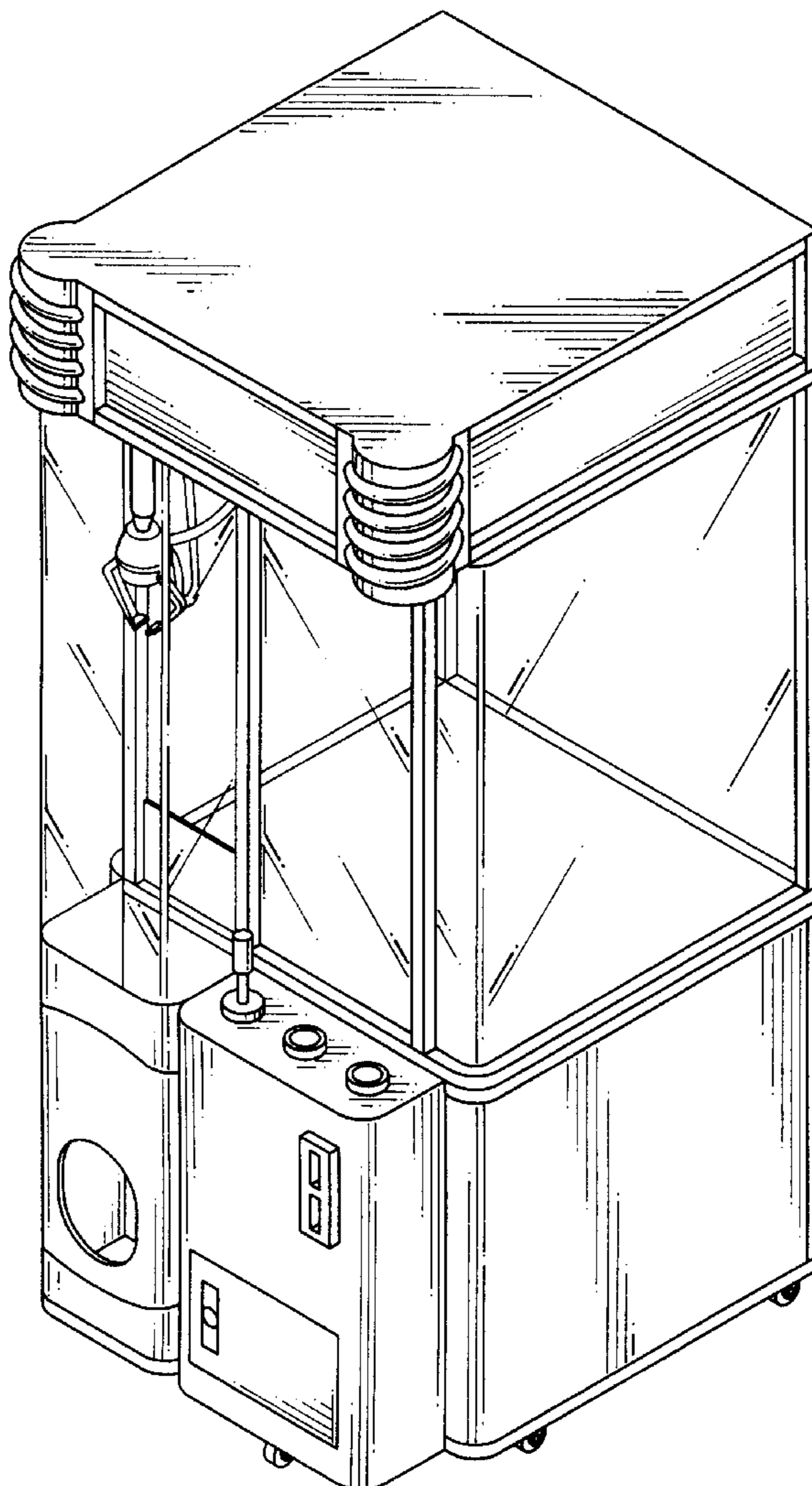
[57] **CLAIM**

The ornamental design for a crane machine, as shown.

DESCRIPTION

FIG. 1 is a front-right-top perspective view of a crane machine, showing my new design; FIG. 2 is a front elevational view thereof; FIG. 3 is a rear elevational view thereof; FIG. 4 is a left elevational view thereof; FIG. 5 is a right elevational view thereof; FIG. 6 is top plan view thereof; and, FIG. 7 is a bottom plan view thereof.

1 Claim, 4 Drawing Sheets



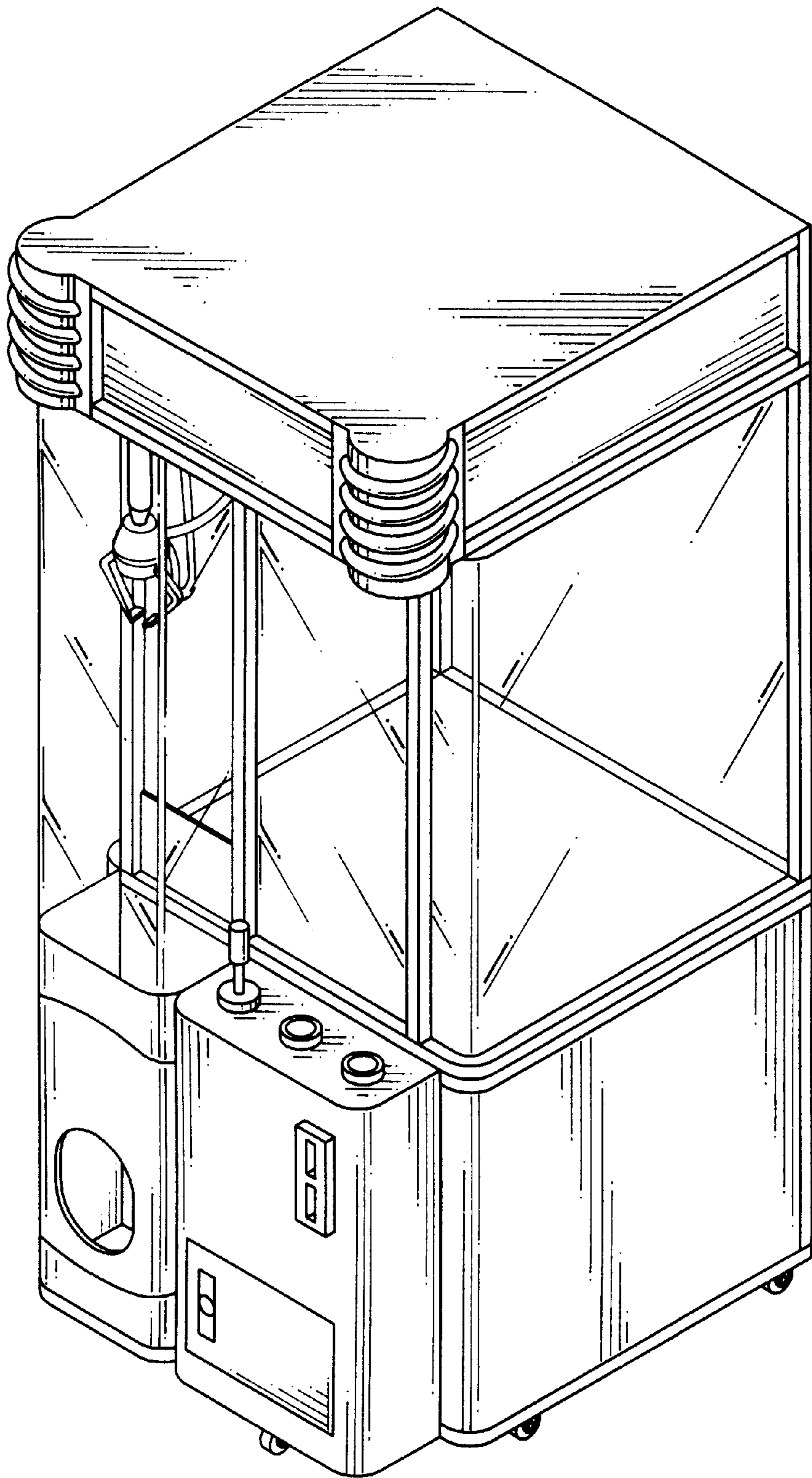


FIG.1

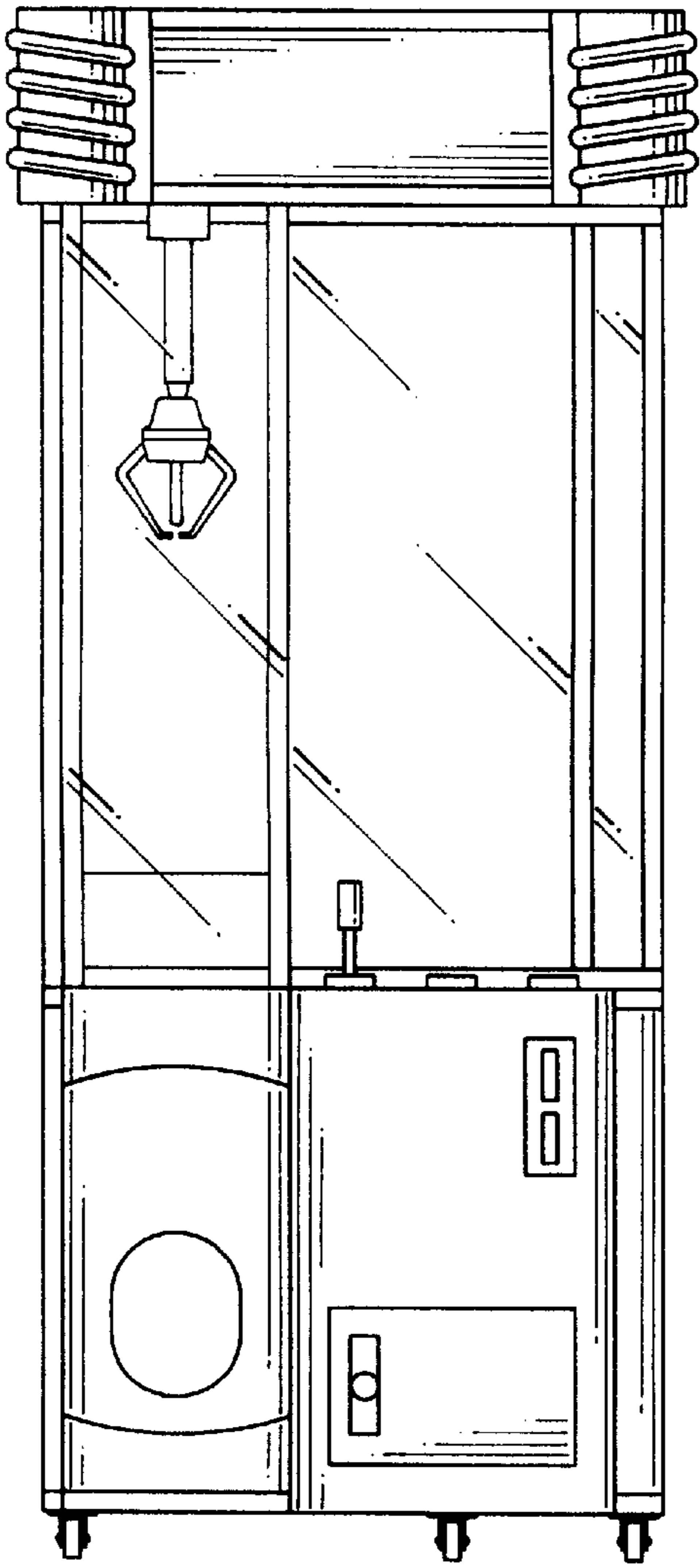


FIG. 2

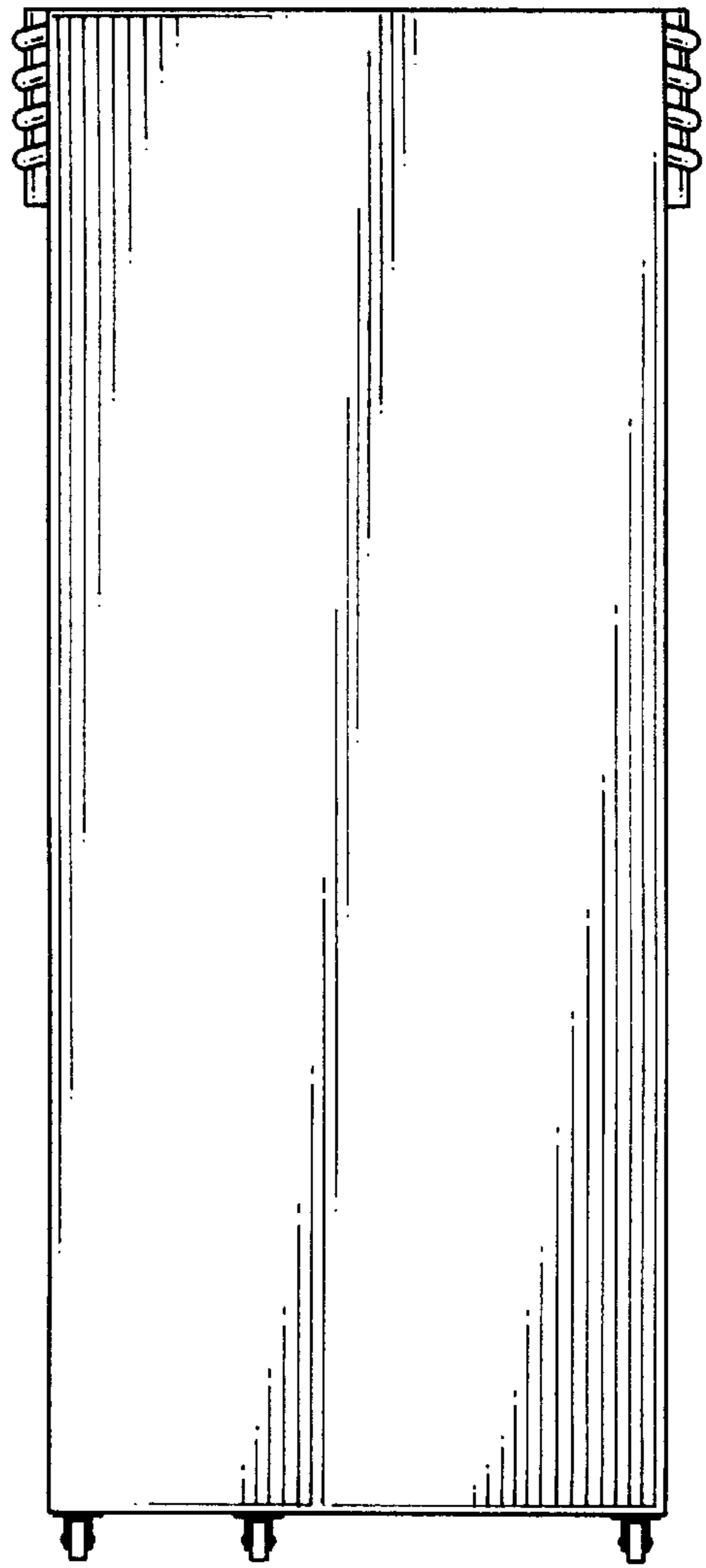


FIG. 3

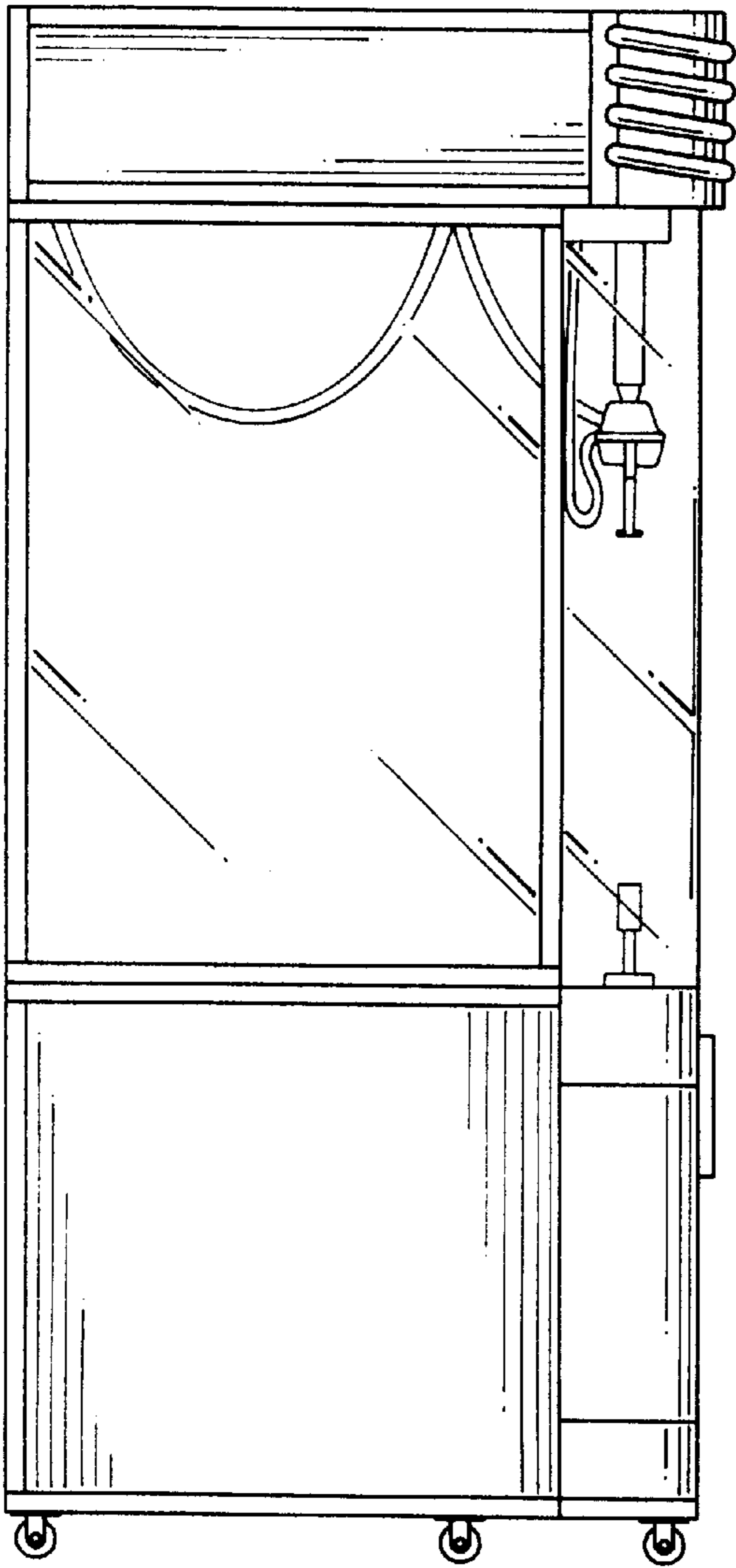


FIG. 4

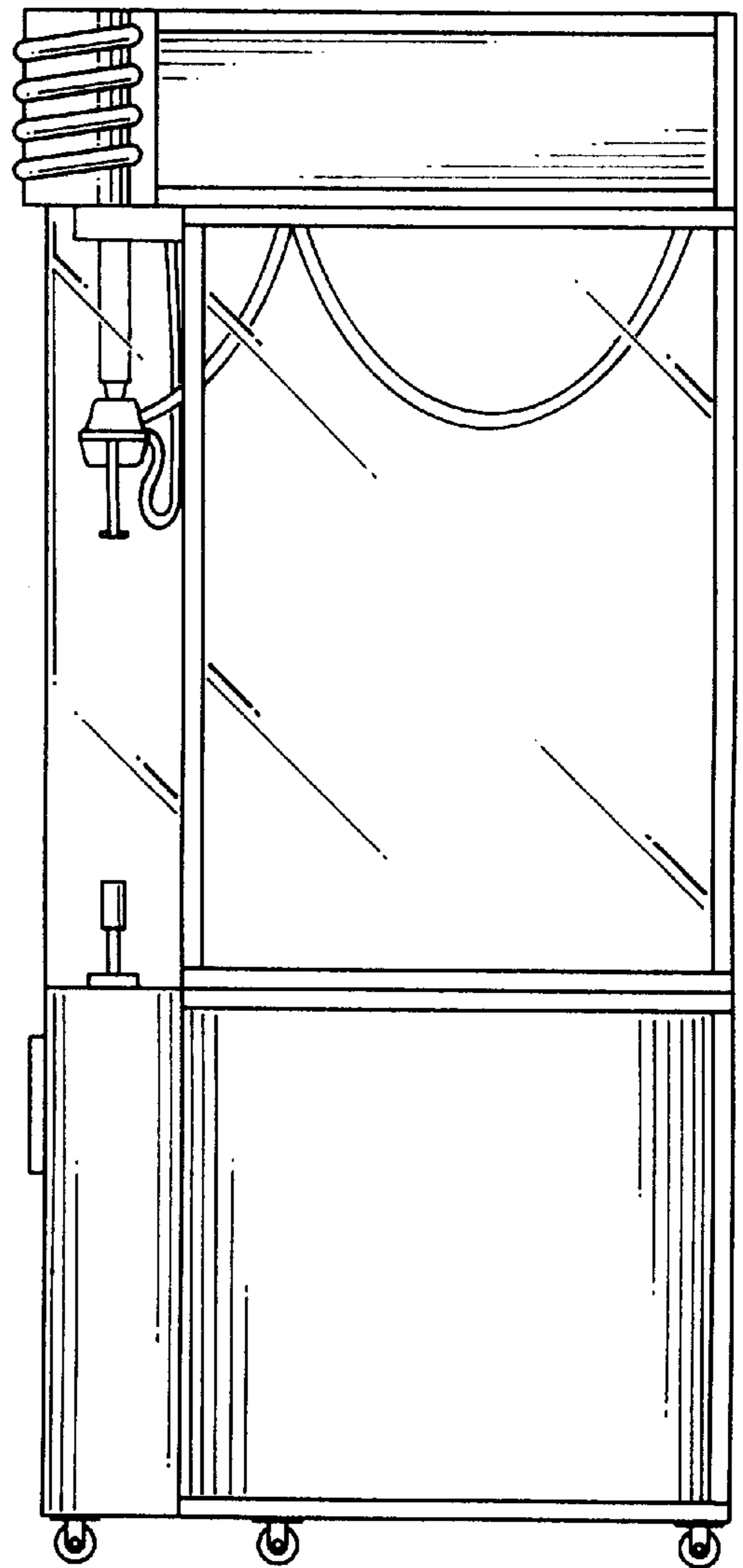


FIG. 5

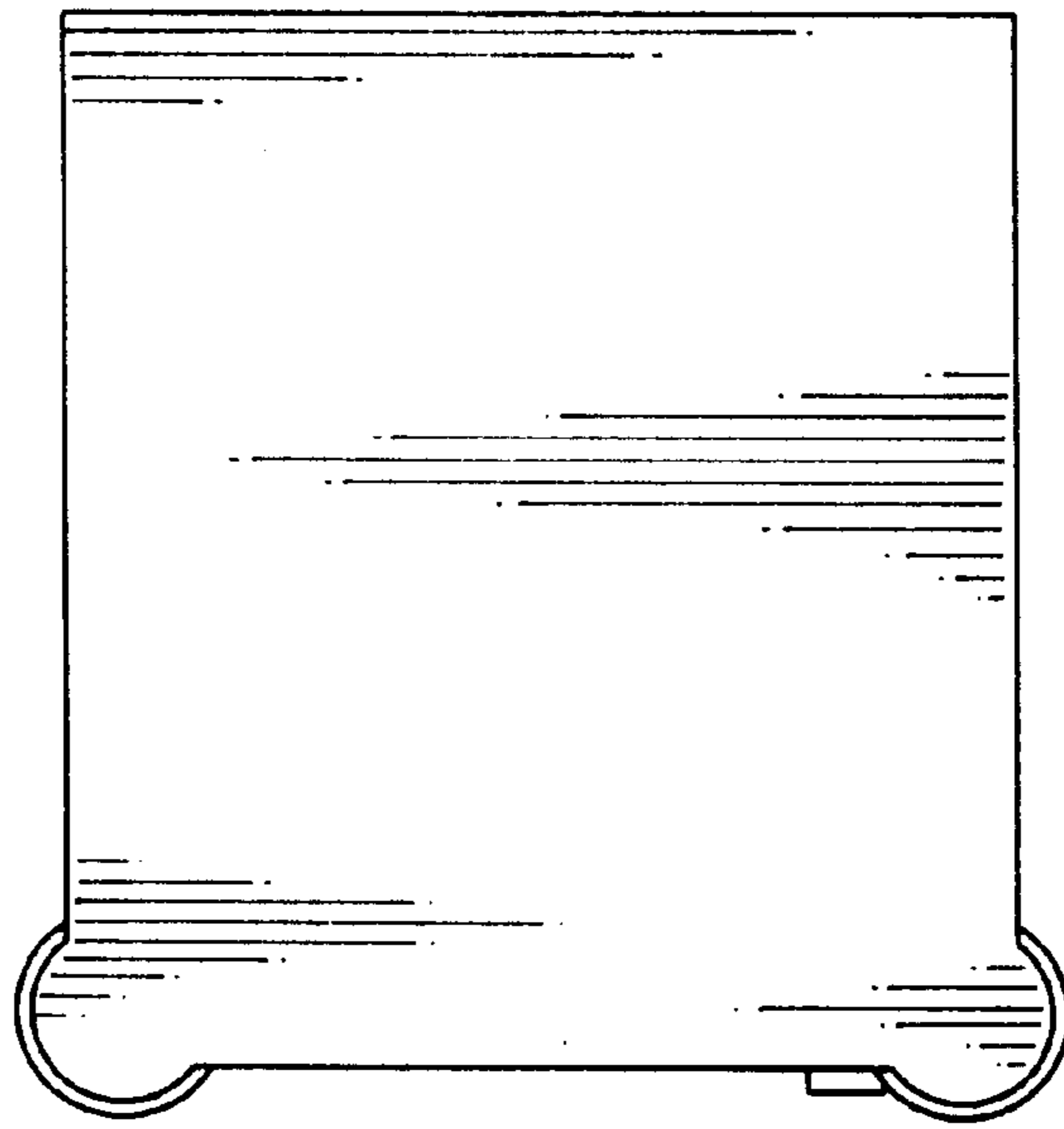


FIG. 6

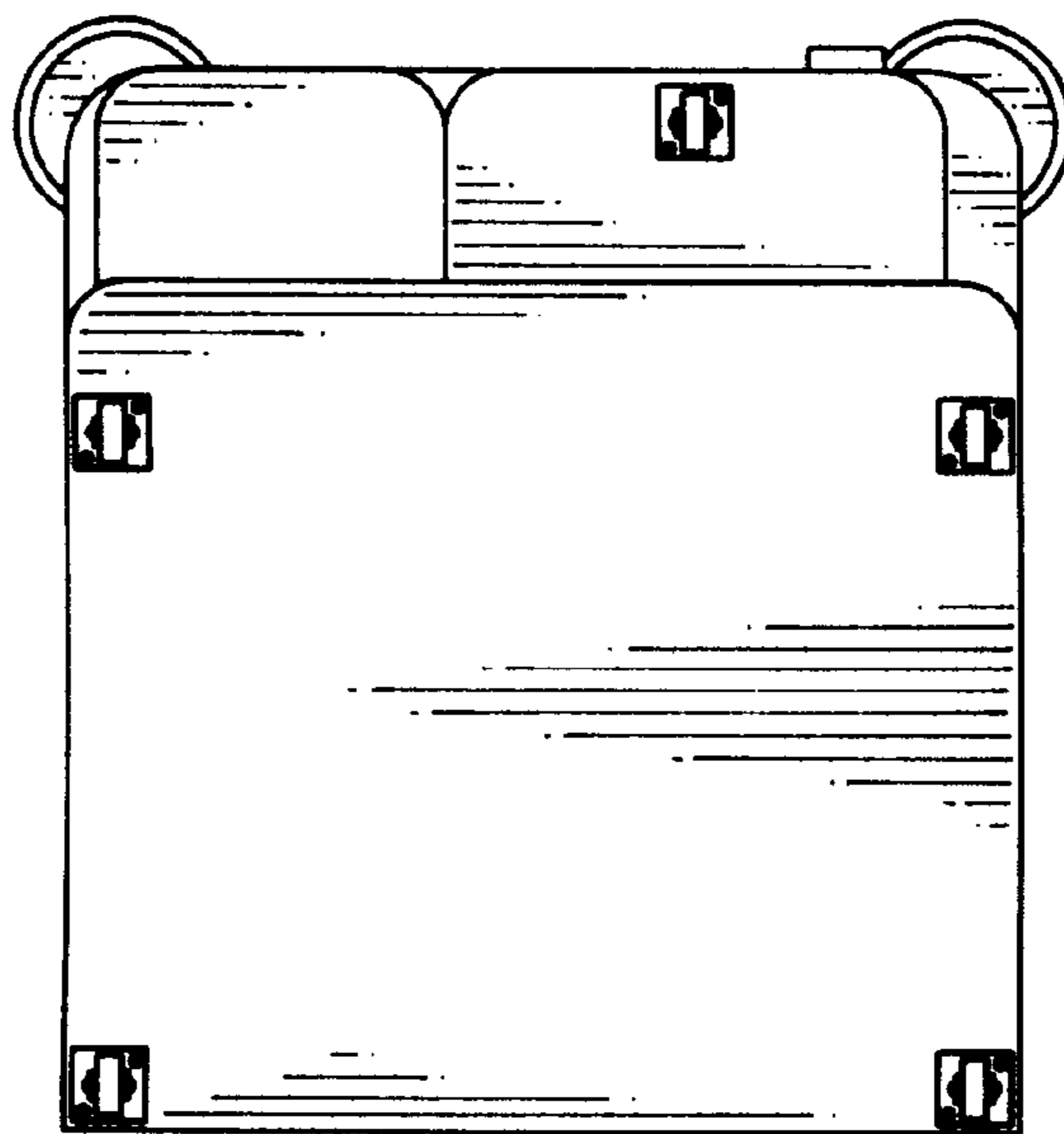


FIG. 7