



US00D421282S

United States Patent [19] Orr

[11] Patent Number: **Des. 421,282**

[45] Date of Patent: **** Feb. 29, 2000**

[54] **ROTATING SKATEBOARD**

[76] Inventor: **Rick J. Orr**, 1410 W. Flamingo, Space 71, Nampa, Id. 83651

[**] Term: **14 Years**

[21] Appl. No.: **29/101,546**

[22] Filed: **Mar. 5, 1999**

[51] **LOC (6) Cl.** **21-02**

[52] **U.S. Cl.** **D21/765; D21/423**

[58] **Field of Search** D21/423, 760, D21/763-765, 771; 280/11.19, 11.2, 11.22, 11.26, 11.27, 87.041, 87.042, 87.043, 843

[56] **References Cited**

U.S. PATENT DOCUMENTS

| | | | | |
|------------|---------|----------|-------|------------|
| D. 210,087 | 2/1968 | Higgins | | D21/423 |
| D. 280,917 | 10/1985 | Skolnik | | D21/423 |
| D. 410,058 | 5/1999 | Friend | | D21/771 |
| 4,179,134 | 12/1979 | Atkinson | | 280/87.042 |

| | | | | |
|-----------|---------|----------|-------|------------|
| 4,775,162 | 10/1988 | Chao | | 280/87.041 |
| 4,811,971 | 3/1989 | Phillips | | 280/87.041 |
| 5,062,630 | 11/1991 | Nelson | | 280/87.042 |
| 5,165,711 | 11/1992 | Tsai | | 280/87.041 |

Primary Examiner—Sandra L. Morris
Attorney, Agent, or Firm—Robert L. Shaver; Frank J. Dykas

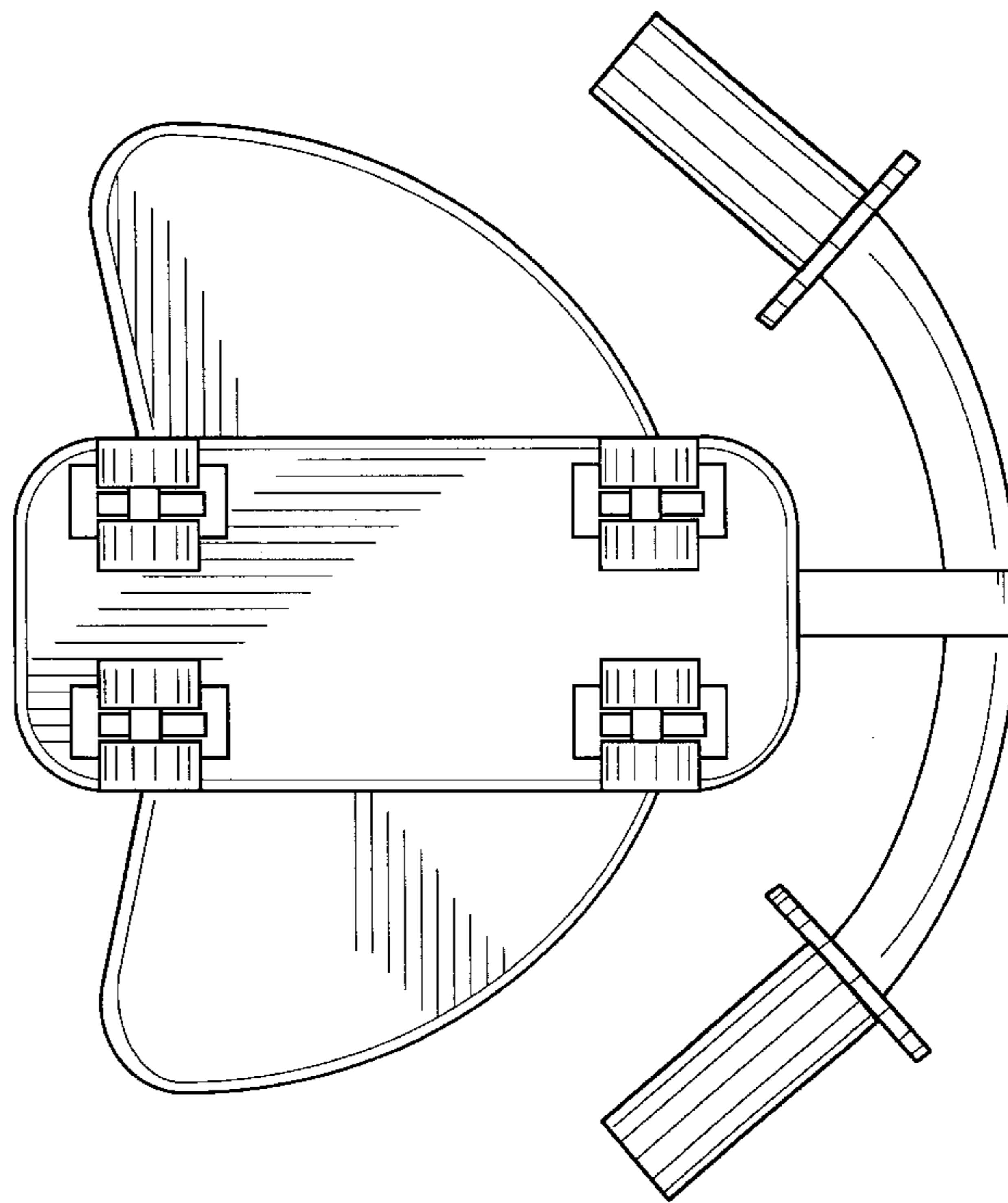
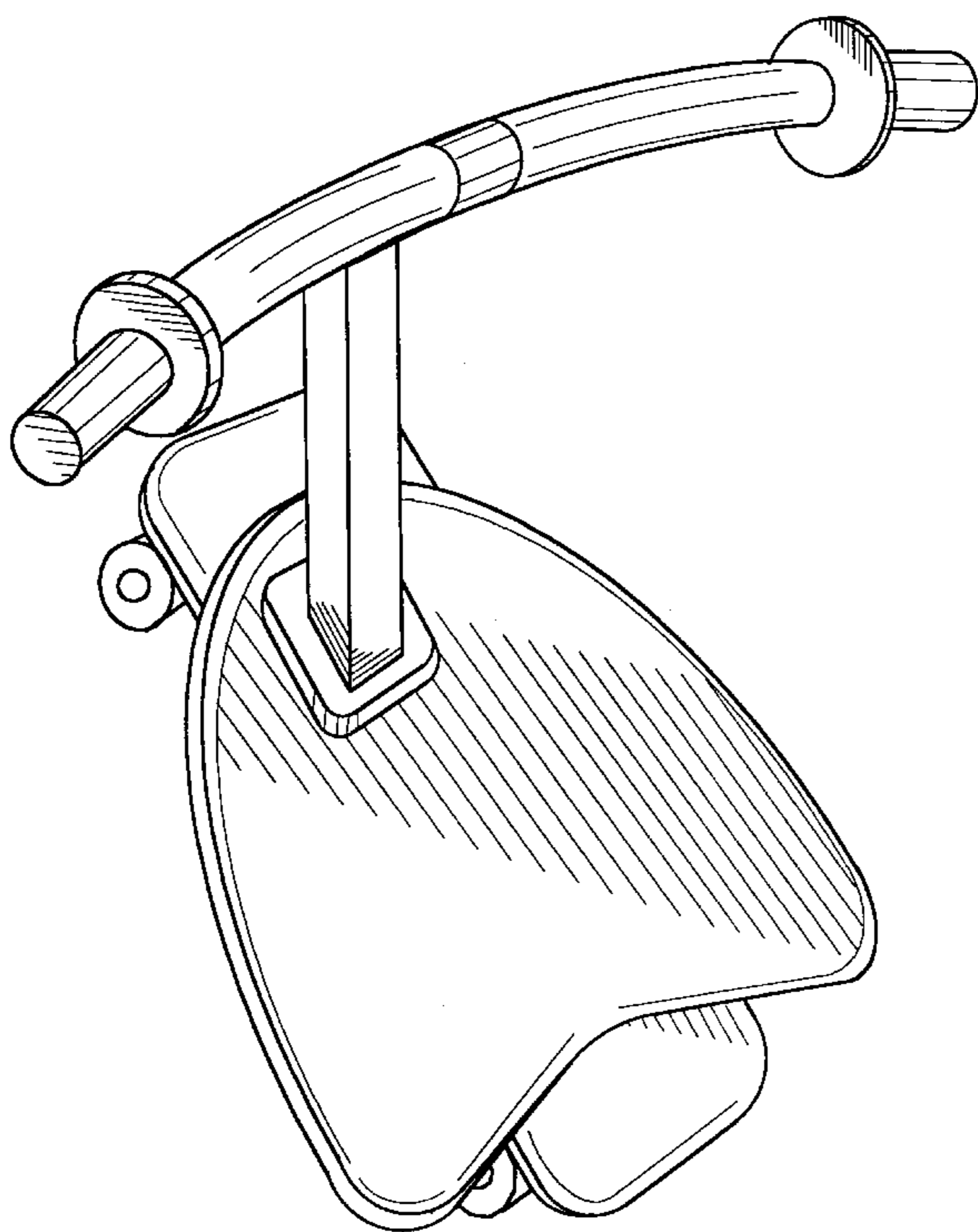
[57] **CLAIM**

The ornamental design for a rotating skateboard, as shown and described.

DESCRIPTION

FIG. 1 is a perspective view of the rotating skateboard; FIG. 2 is a top plan view of the rotating skateboard; FIG. 3 is a bottom plan view of the rotating skateboard; FIG. 4 is a left side view of the rotating skateboard; FIG. 5 is a right side view of the rotating skateboard; FIG. 6 is a front elevational view of the rotating skateboard; and, FIG. 7 is a rear elevational view of the rotating skateboard.

1 Claim, 7 Drawing Sheets



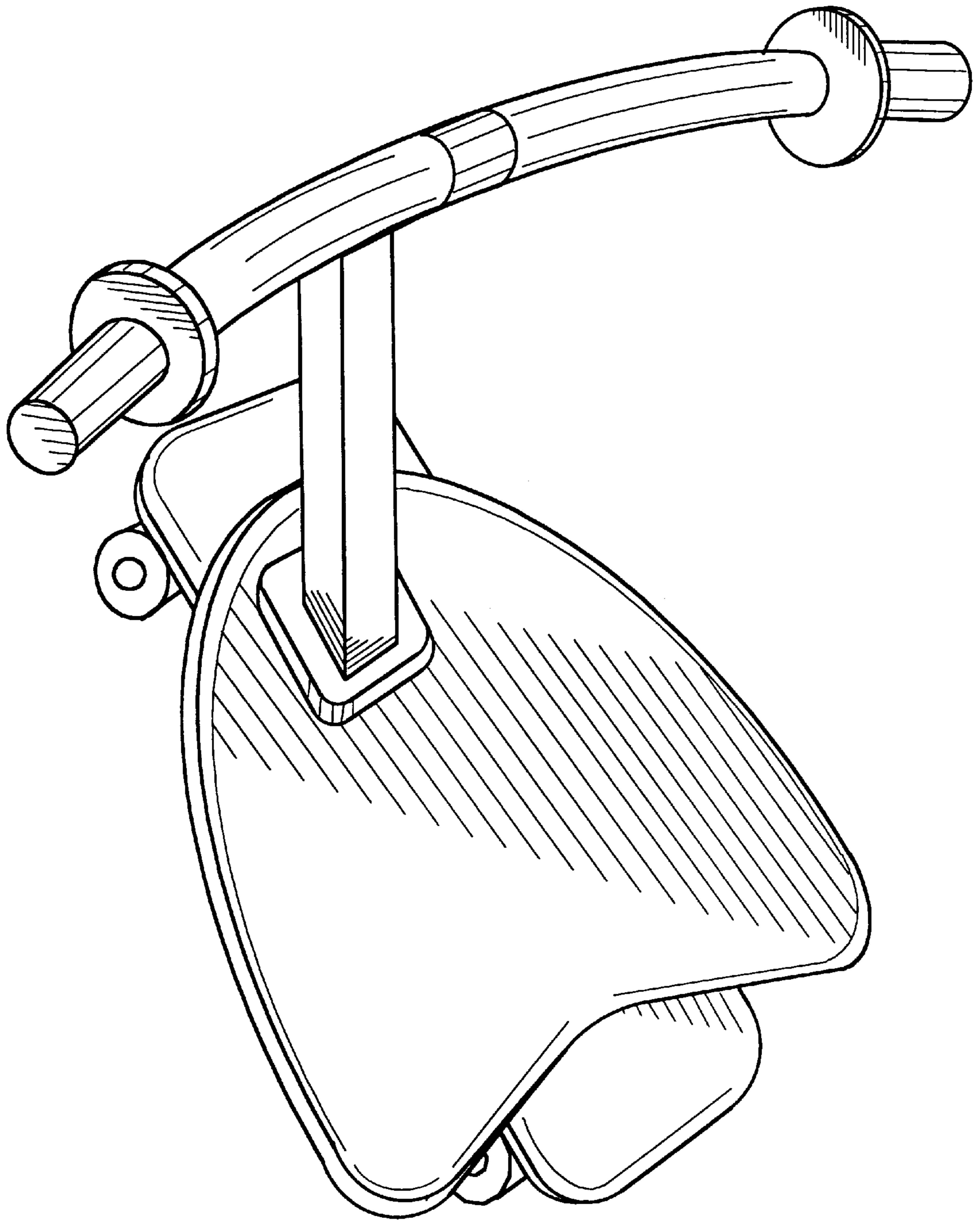


FIG. 1

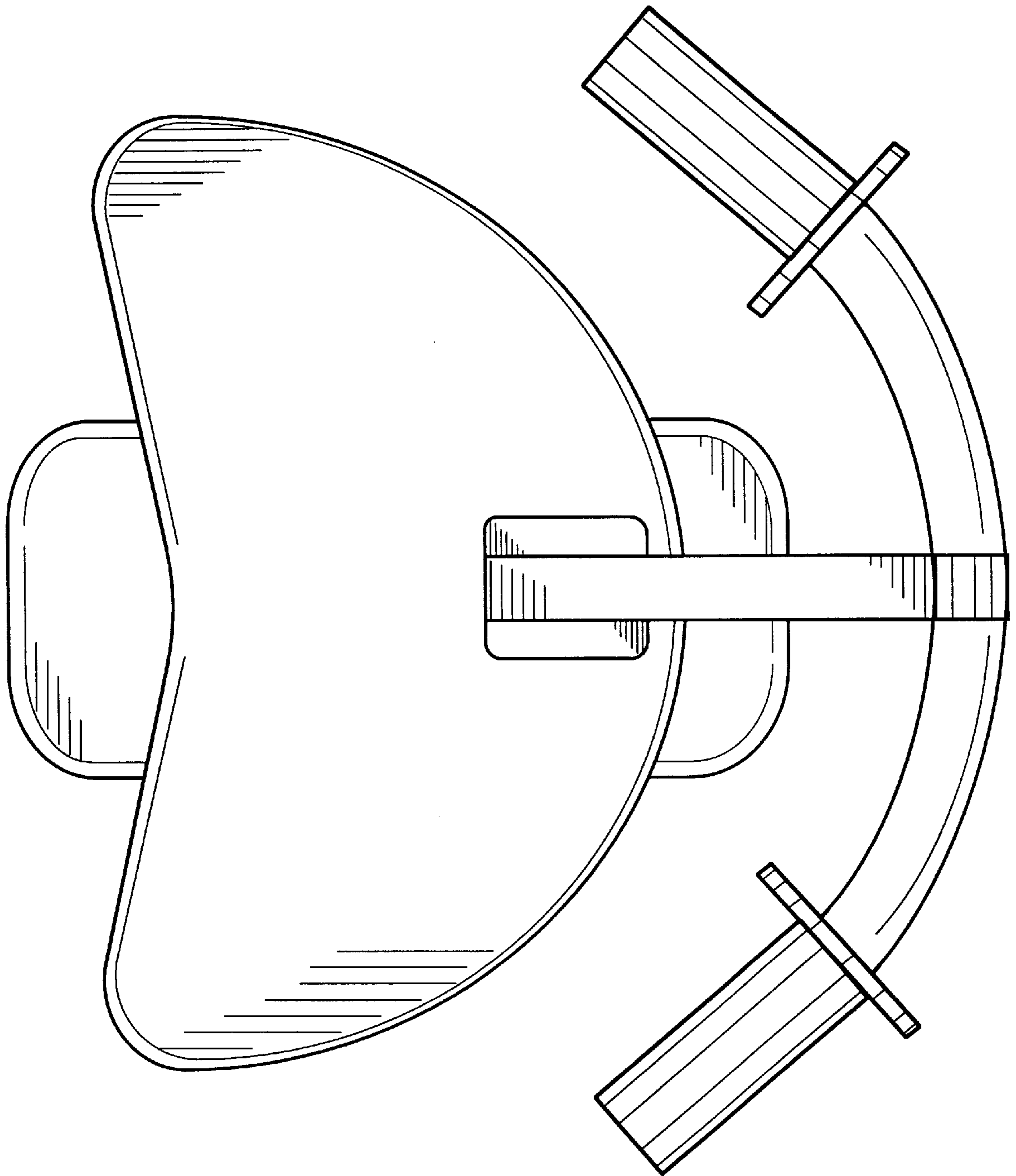


FIG. 2

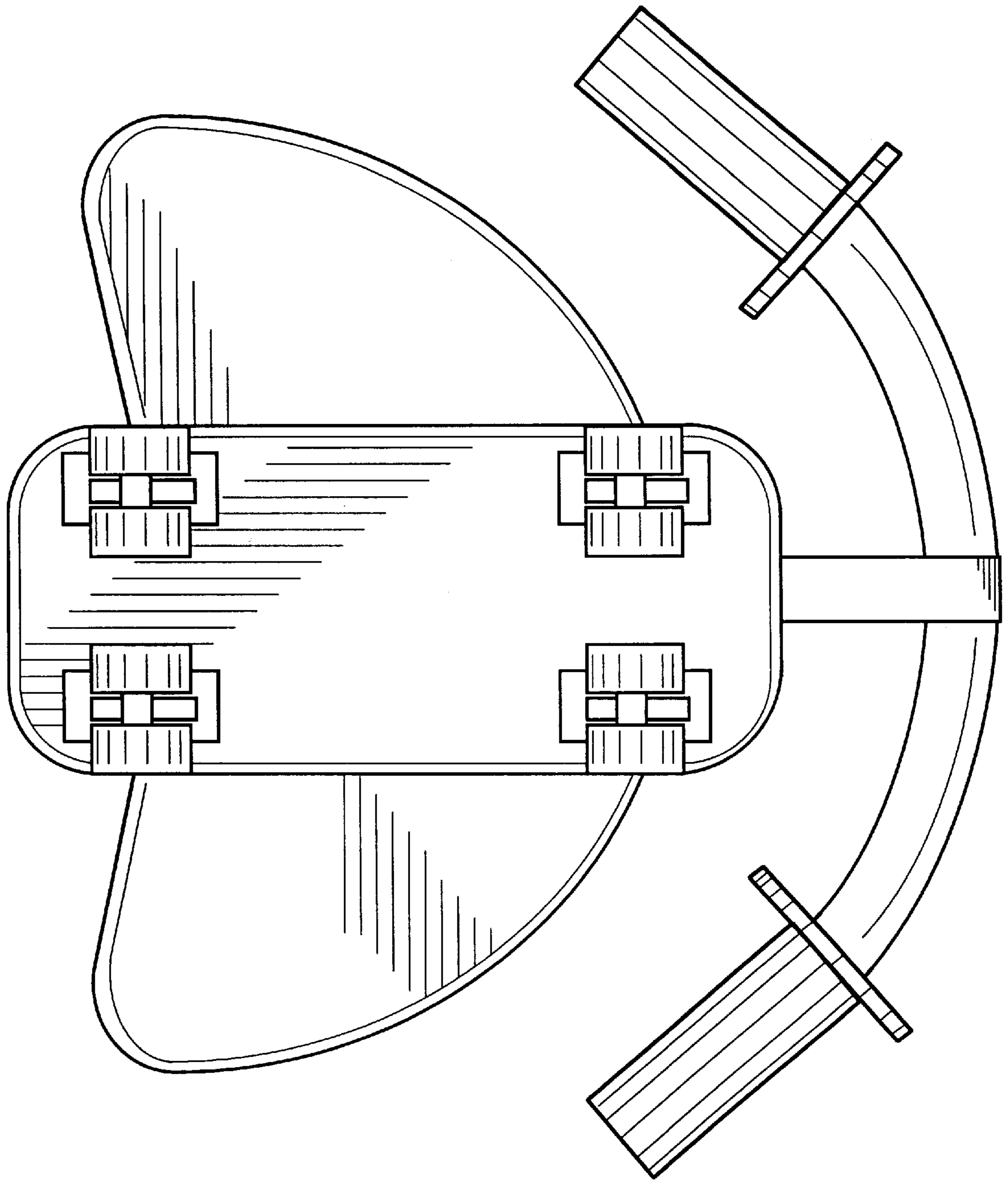


FIG. 3

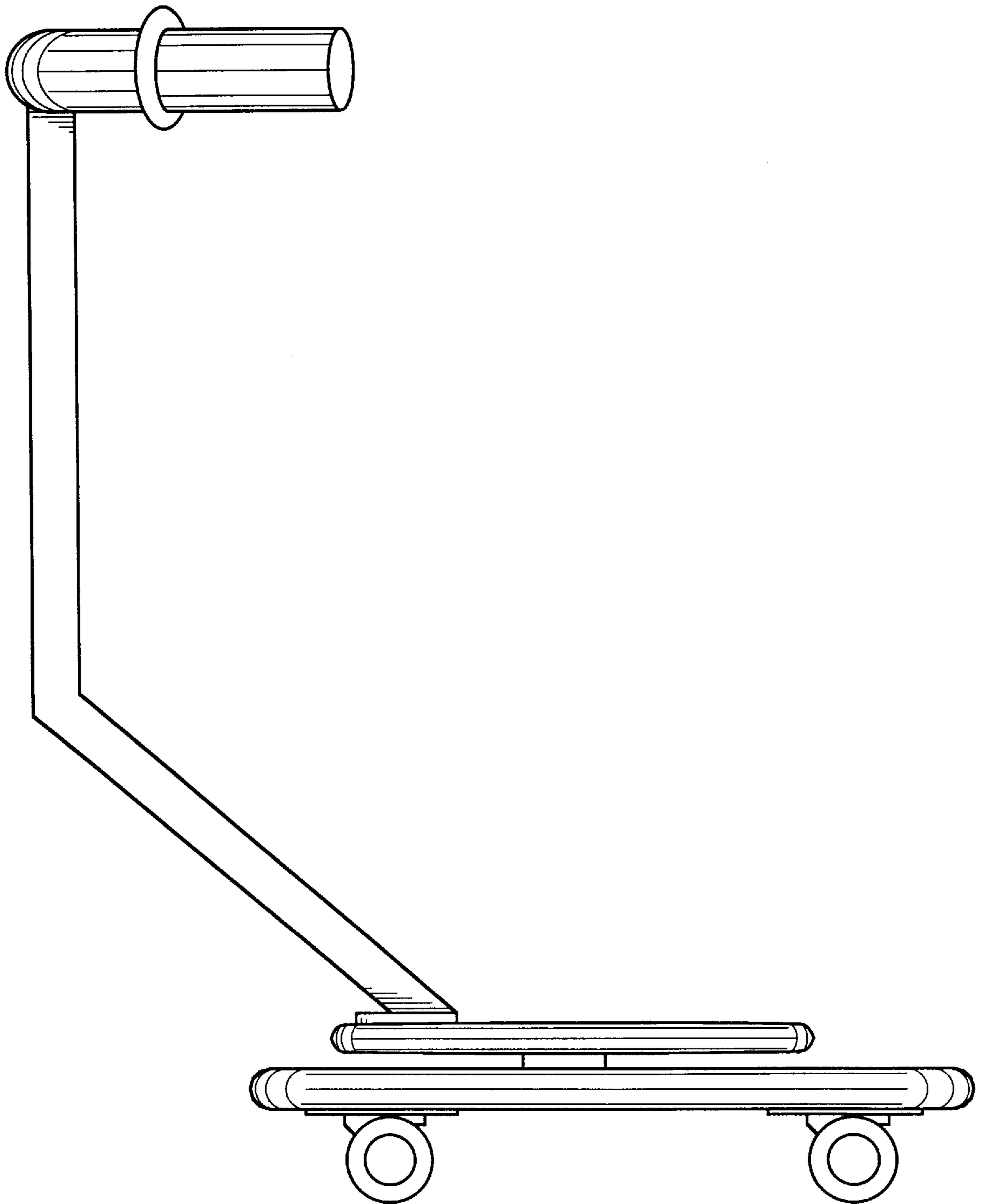


FIG. 4

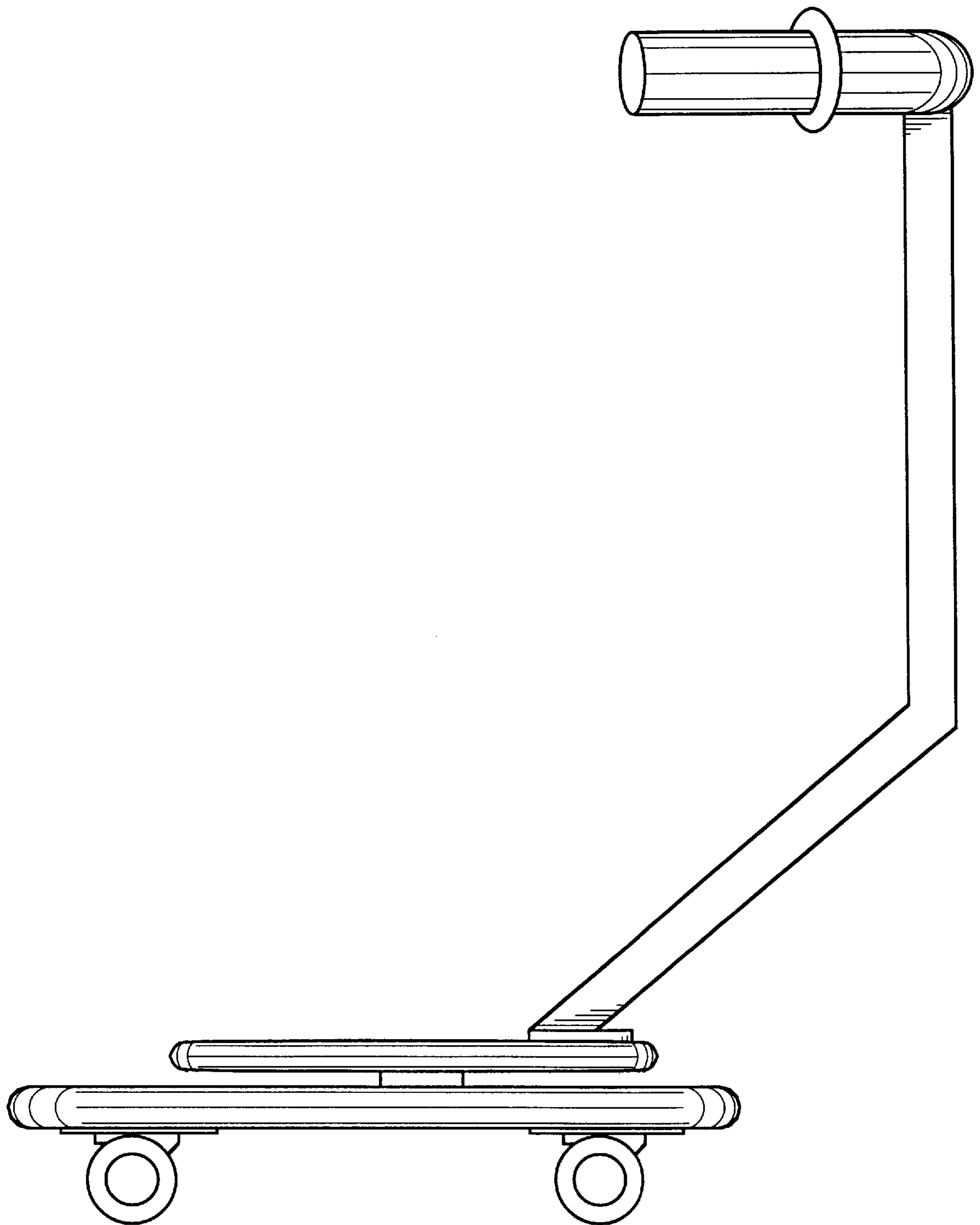


FIG. 5

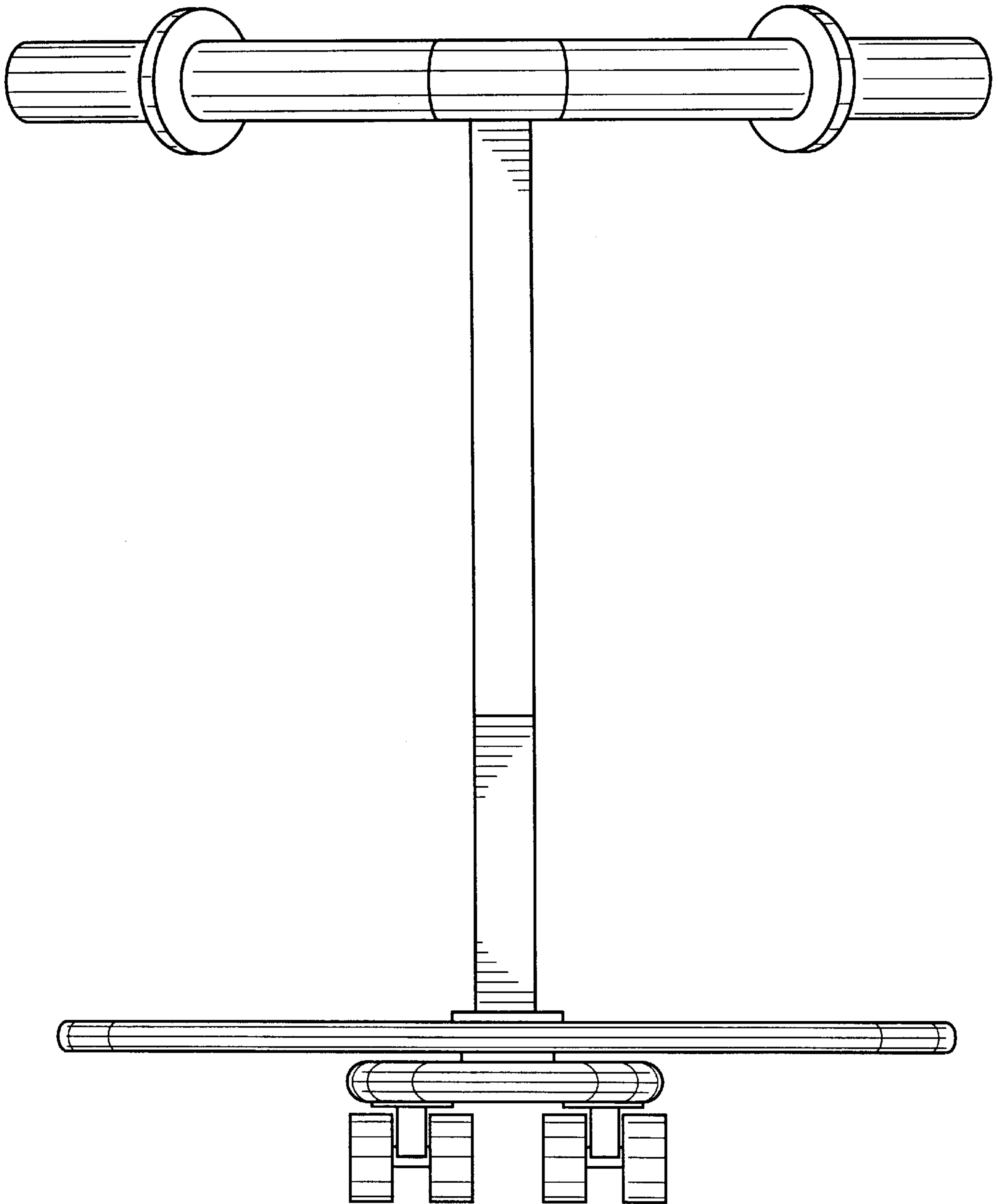


FIG. 6

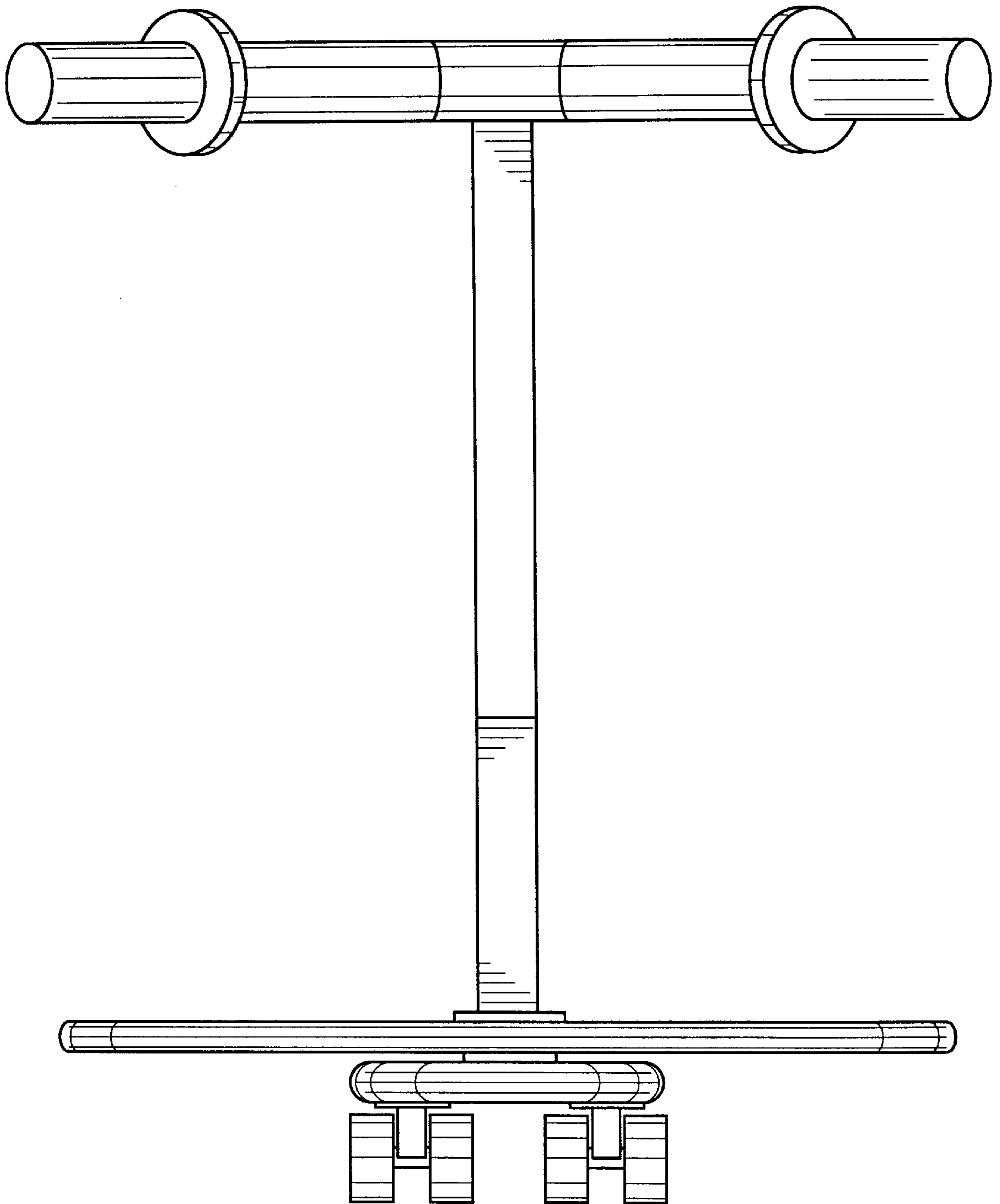


FIG. 7