



US00D421280S

United States Patent [19] Grubb

[11] **Patent Number: Des. 421,280**

[45] **Date of Patent: ** Feb. 29, 2000**

[54] **COUPLER FOR MODEL RAILROAD CARS**

5,509,546 4/1996 Staat .

5,775,524 7/1998 Dunham 213/75 TC

[75] Inventor: **Lawrence B. Grubb**, Baltimore, Md.

[73] Assignee: **Life-Like Products, Inc.**, Baltimore, Md.

Primary Examiner—Raphael Barkai
Attorney, Agent, or Firm—Mark P. Stone

[**] Term: **14 Years**

[57] **CLAIM**

The ornamental design for a “coupler for model railroad cars,” as shown and described.

[21] Appl. No.: **29/078,418**

[22] Filed: **Oct. 24, 1997**

DESCRIPTION

[51] **LOC (6) Cl.** **21-01**

[52] **U.S. Cl.** **D21/561**

[58] **Field of Search** D21/540, 541,
D21/561; 104/DIG. 1; 238/10 E, 10 F;
213/75 TC; 446/467, 447

FIG. 1 is a perspective view of a coupler for model railroad cars showing my new design;

FIG. 2 is a top plan view thereof;

FIG. 3 is a bottom plan view thereof;

FIG. 4 is a front elevational view as seen from the left end of FIG. 1;

FIG. 5 is a front elevational view as seen from the right end of FIG. 1;

FIG. 6 is a side elevational view as seen from the front of FIG. 1; and,

FIG. 7 is a side elevational view as seen from the rear of FIG. 1.

[56] **References Cited**

U.S. PATENT DOCUMENTS

D. 326,693	6/1992	Gramera .
D. 367,684	3/1996	Wilson .
3,942,648	3/1976	Edwards et al. .
4,335,820	6/1982	Gramera .
5,316,158	5/1994	Dunham et al. .

1 Claim, 6 Drawing Sheets

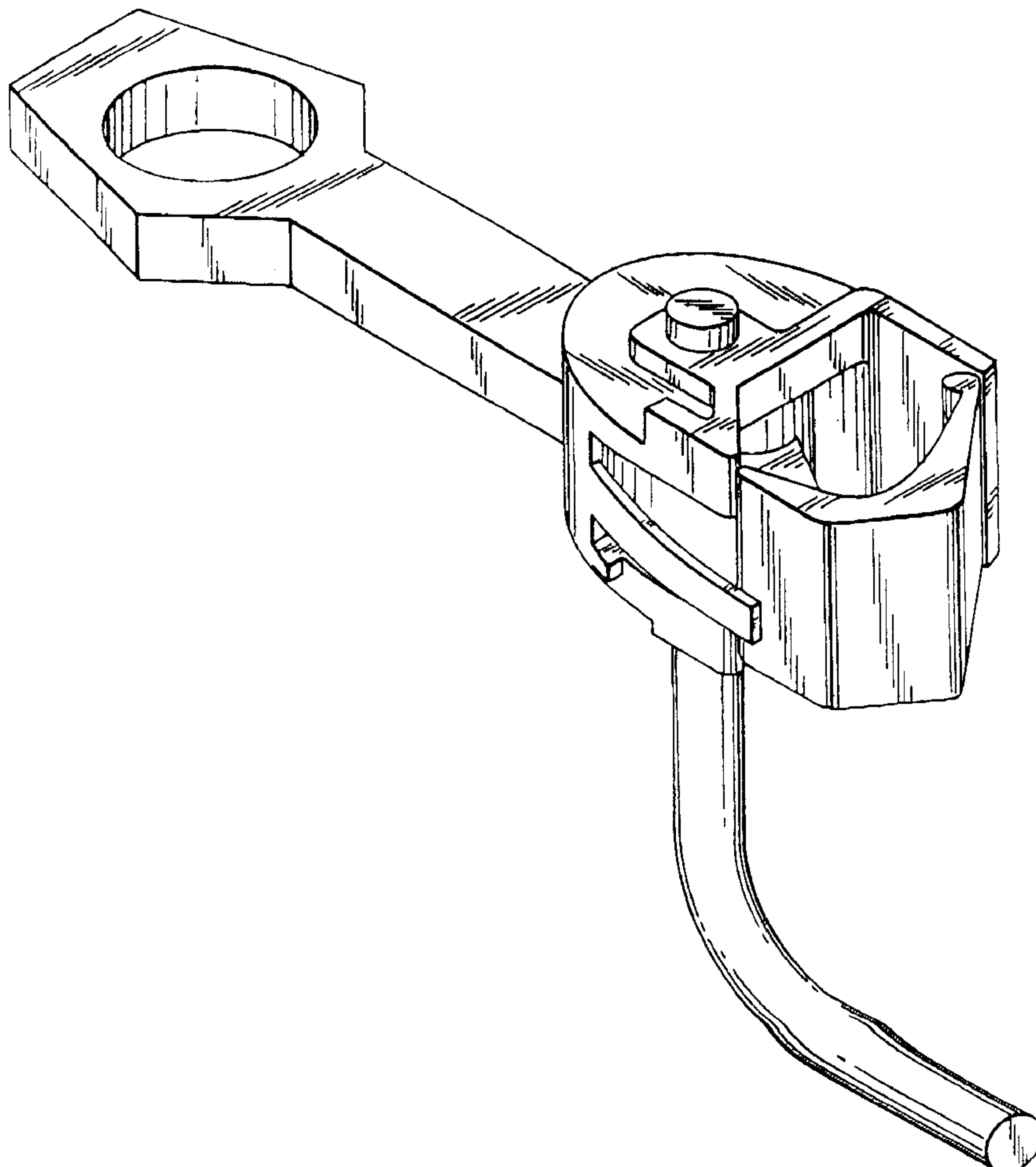
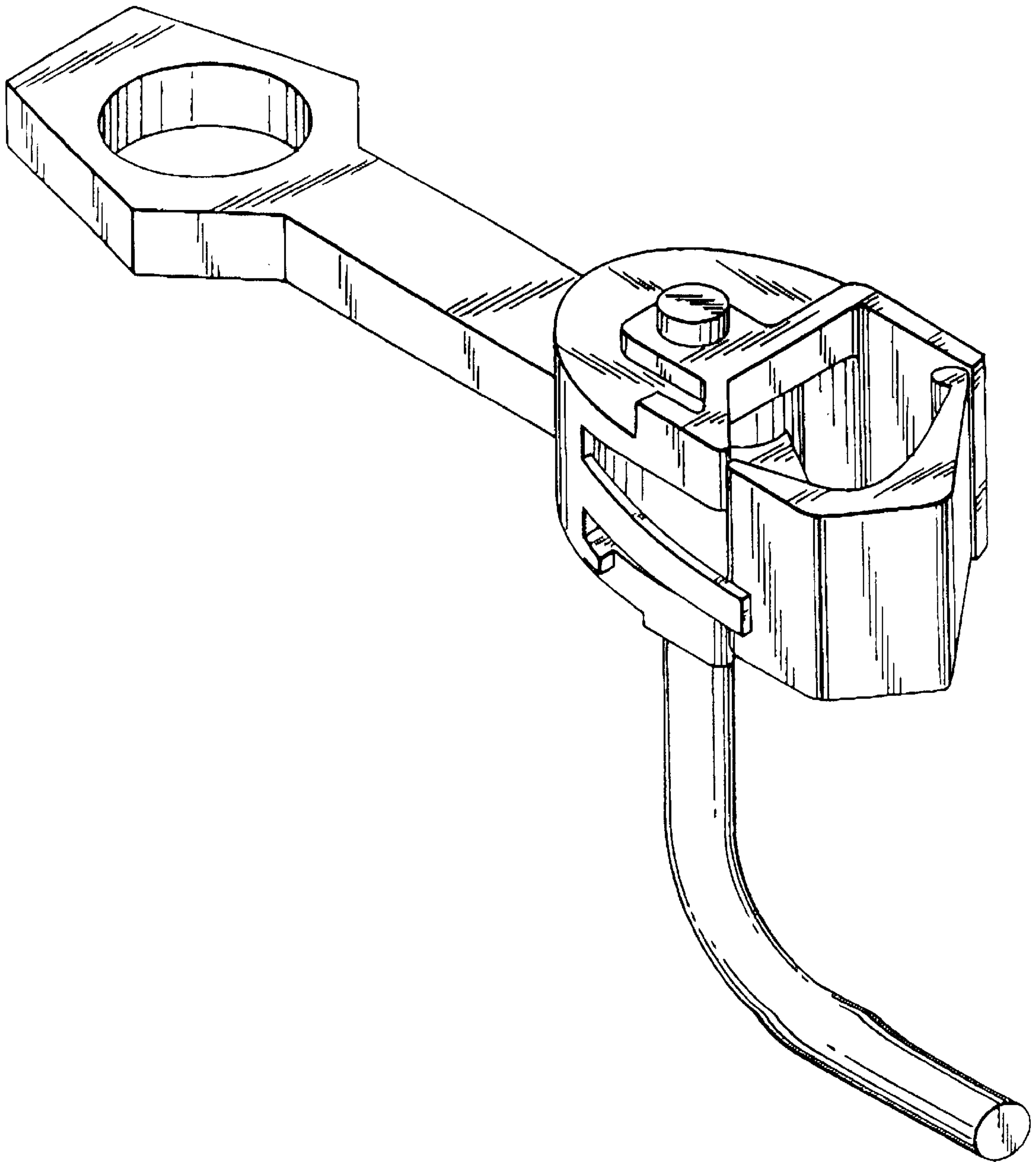


FIG. 1



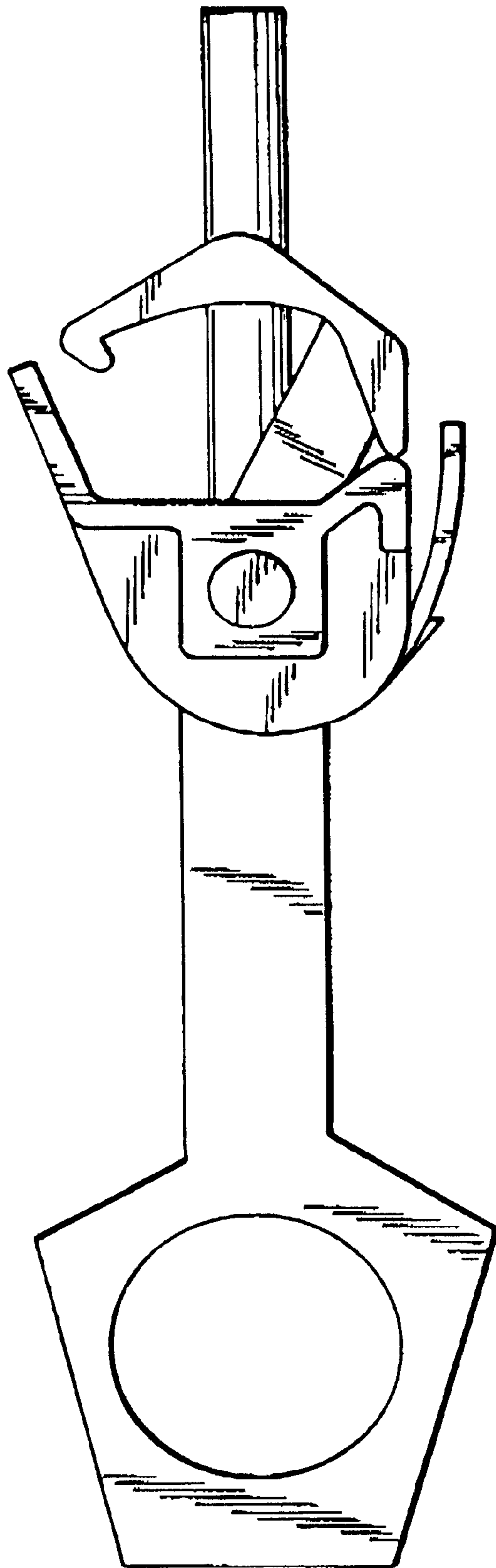


FIG. 2

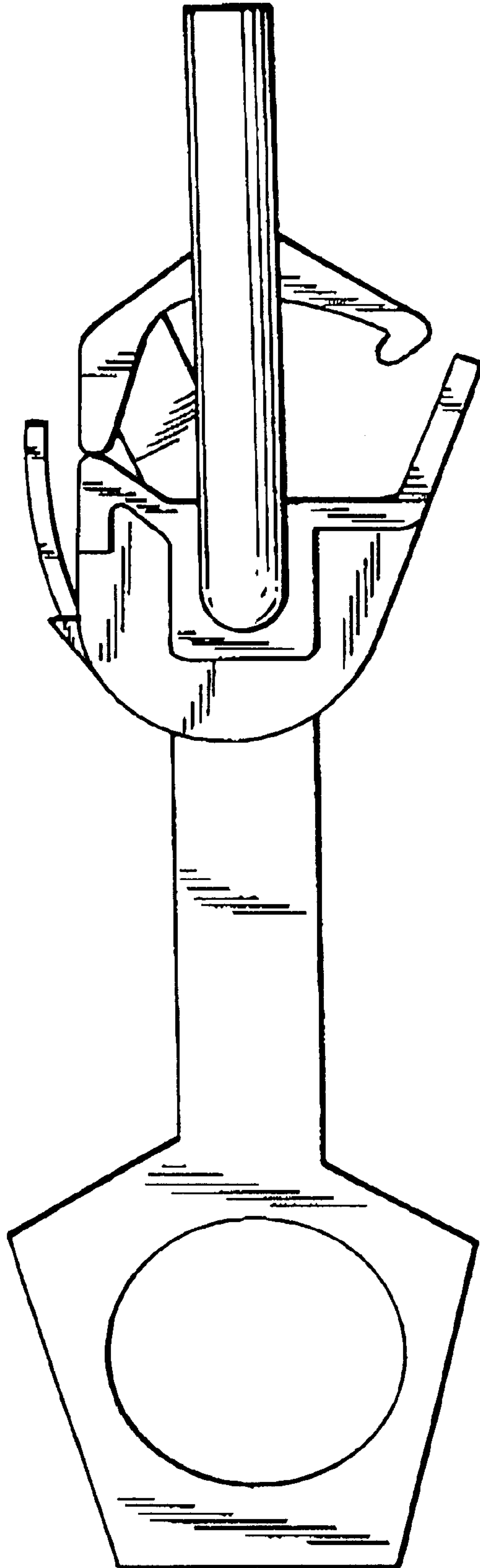


FIG. 3

FIG. 5

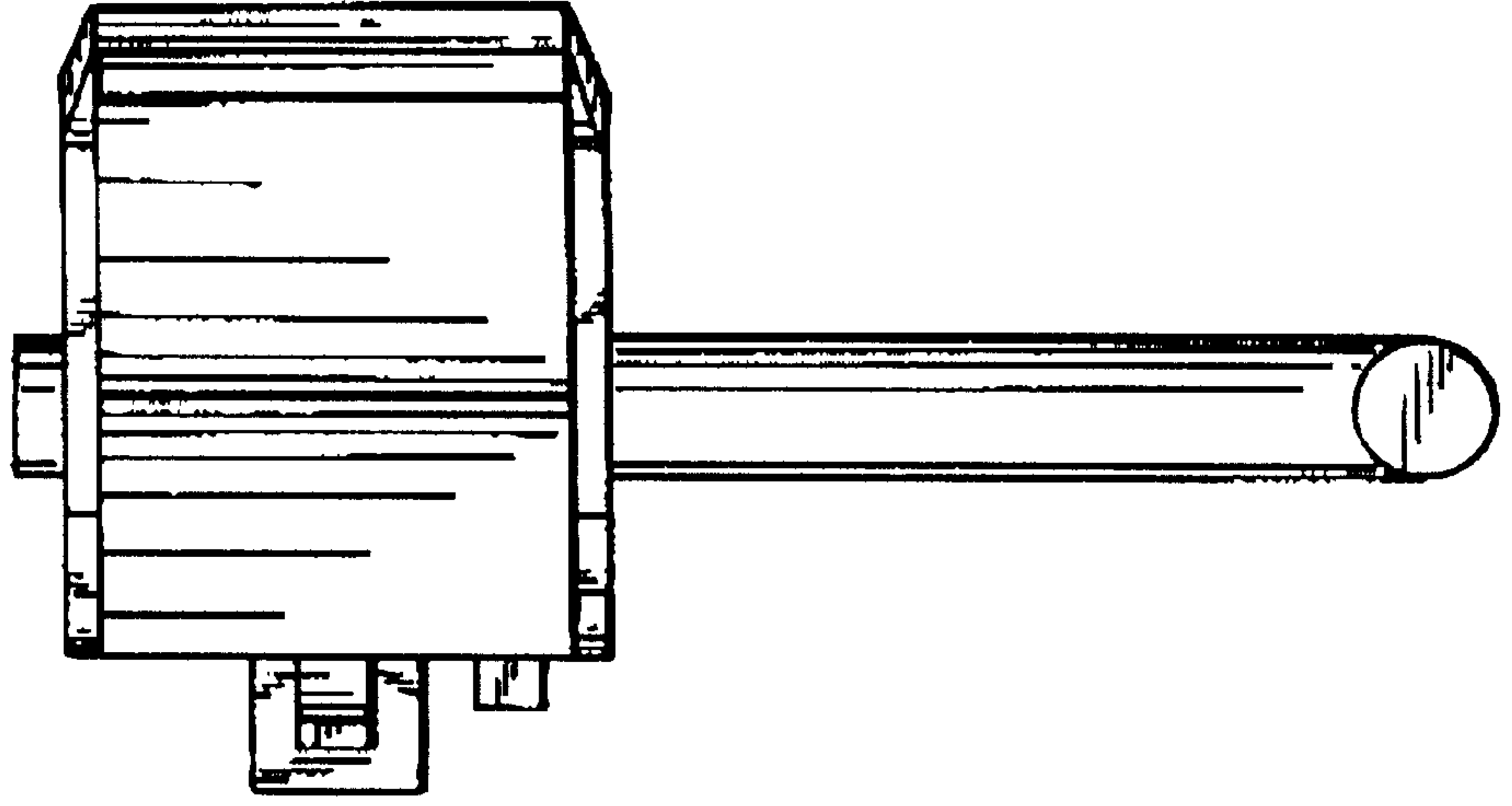
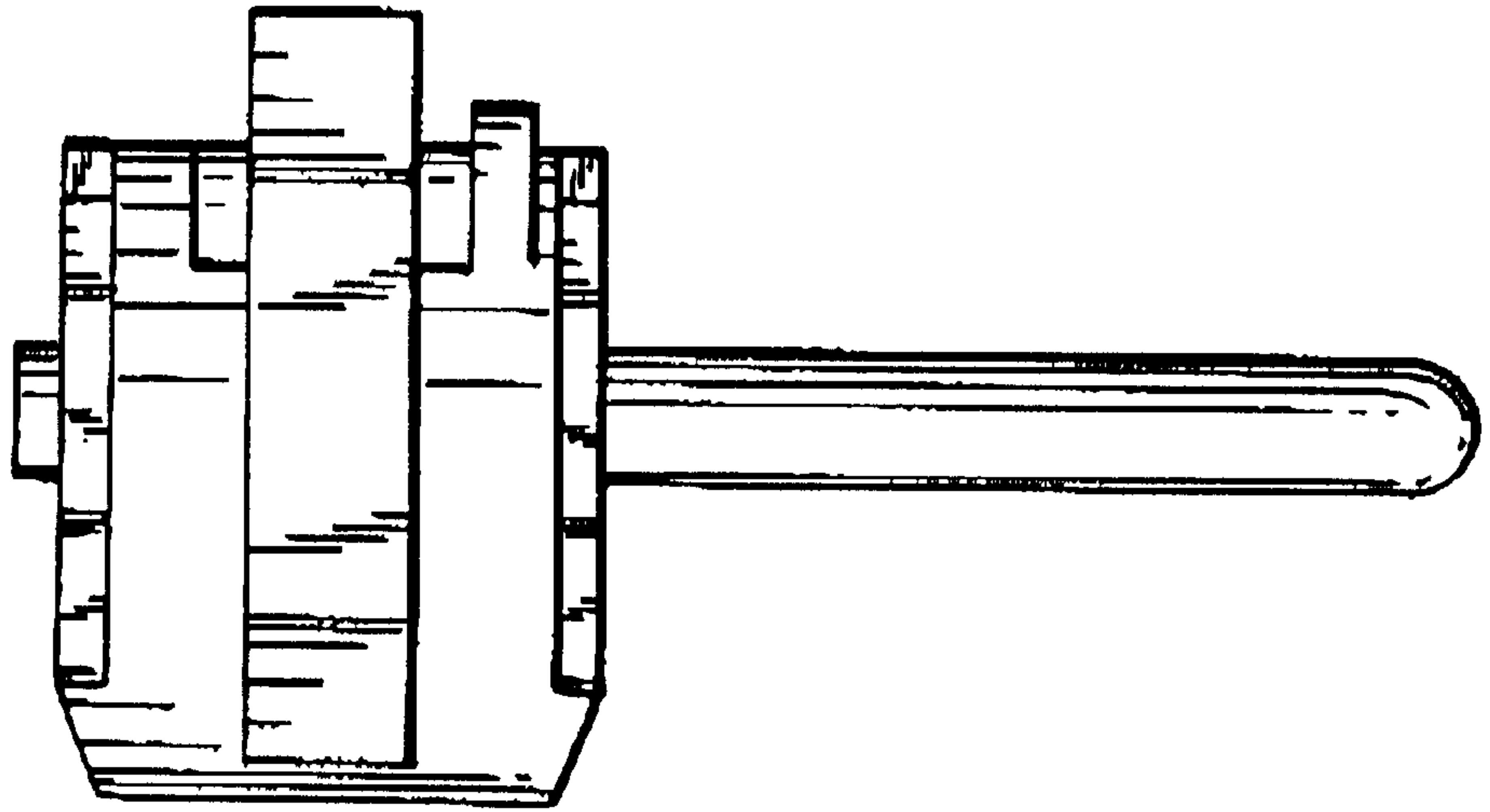


FIG. 4



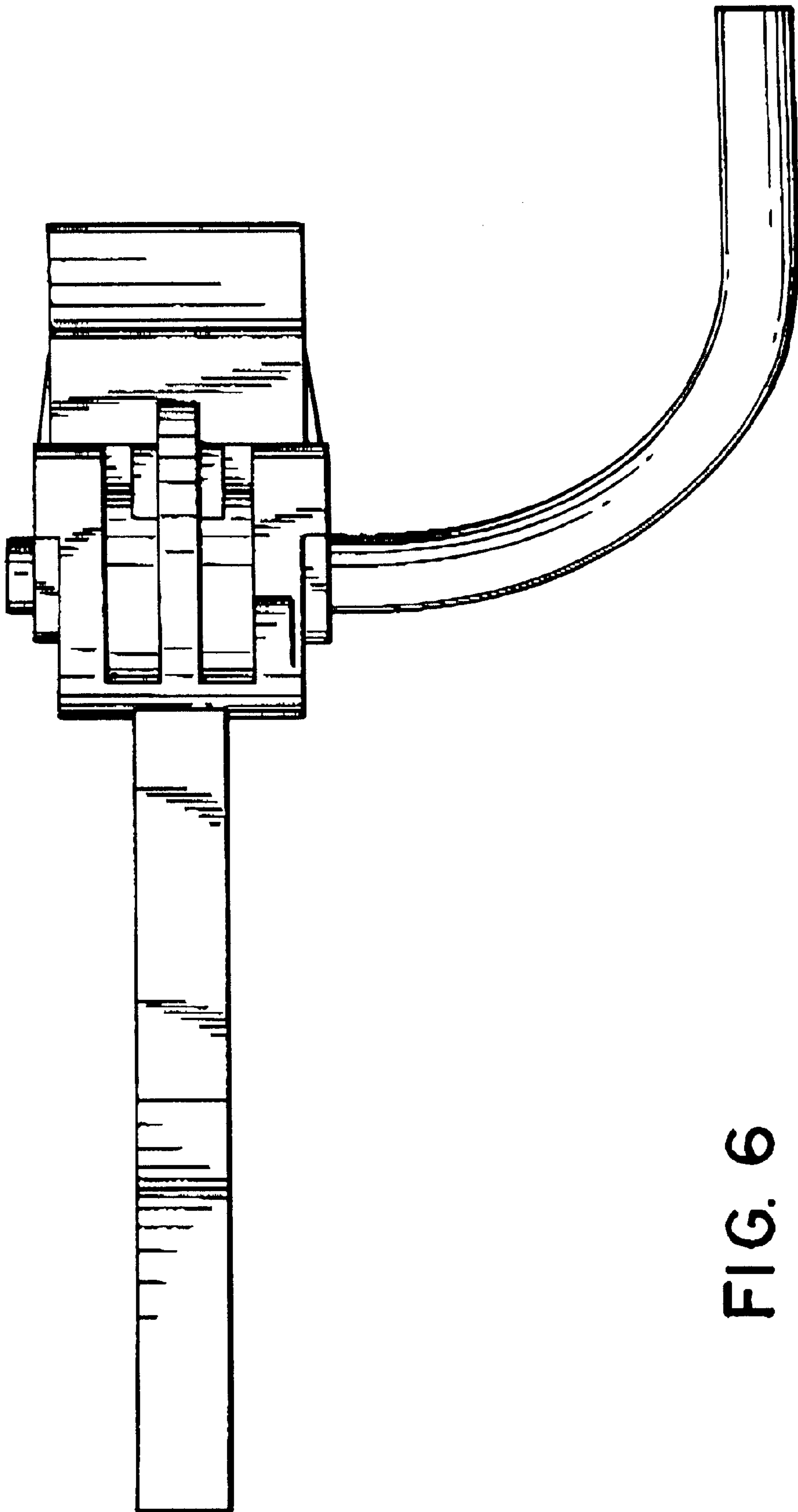


FIG. 6

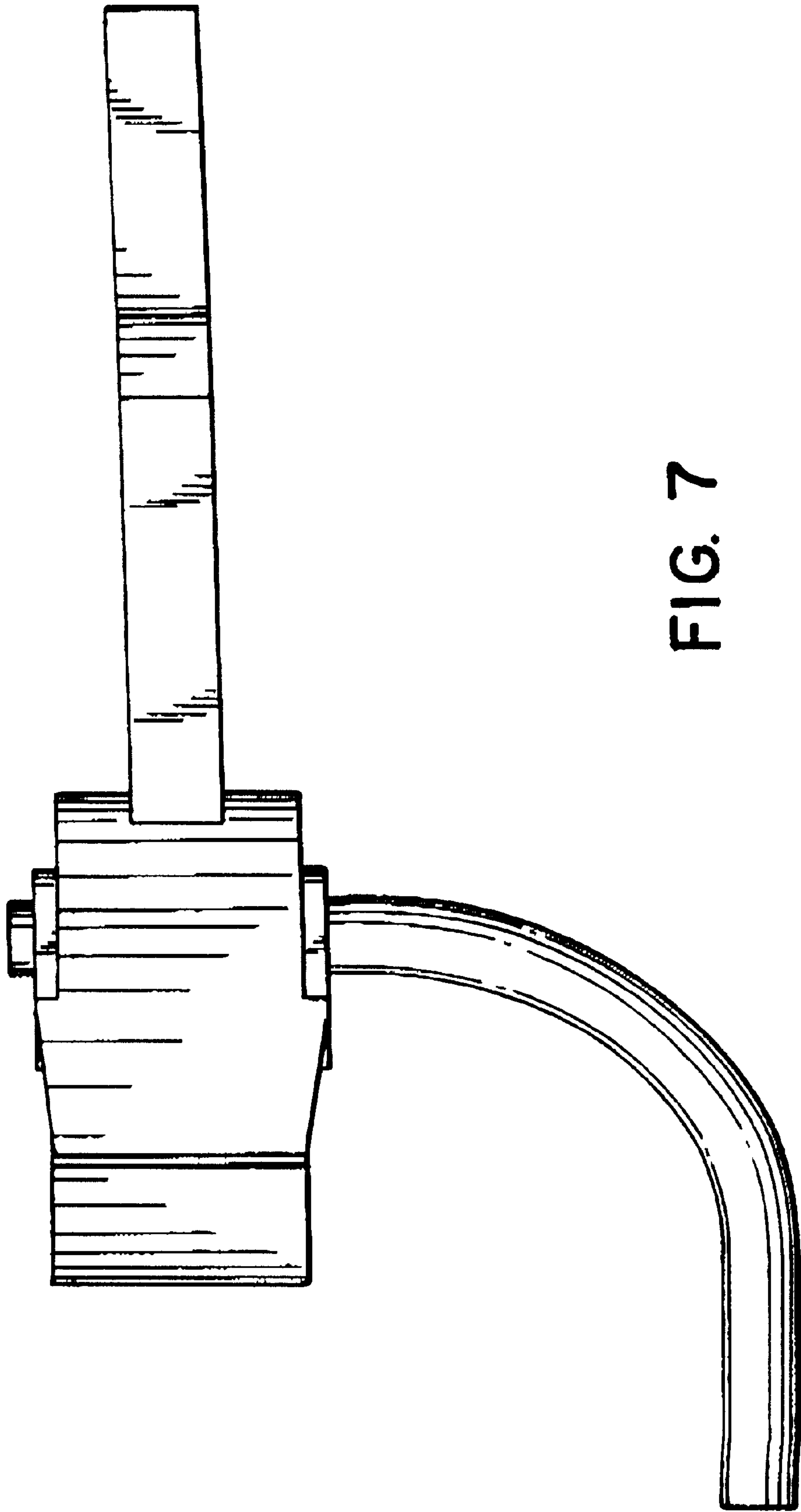


FIG. 7