



US00D421279S

United States Patent [19]
Tsai

[11] **Patent Number: Des. 421,279**

[45] **Date of Patent: ** Feb. 29, 2000**

[54] **TOY HELICOPTER**

D. 372,741 8/1996 Tsai D21/442

[76] Inventor: **Wen-Ho Tsai**, 8F, No. 113, Yu-Jen Rd.,
Pei-Tou Dist., Taipei, Taiwan

Primary Examiner—Dominic Simone
Attorney, Agent, or Firm—Dougherty & Troxell

[**] Term: **14 Years**

[57] **CLAIM**

[21] Appl. No.: **29/103,247**

The ornamental design for toy helicopter, as shown and described.

[22] Filed: **Apr. 12, 1999**

DESCRIPTION

[51] **LOC (6) Cl.** **21-01**

FIG. 1 is a perspective view showing our new design for toy helicopter;

[52] **U.S. Cl.** **D21/442**

FIG. 2 is a front elevational view thereof;

[58] **Field of Search** D21/442; D12/326;
244/17.11, 17.23, 17.25; 446/34, 36

FIG. 3 is a rear elevational view thereof;

FIG. 4 is a left side elevational view thereof;

FIG. 5 is a right side elevational view thereof;

FIG. 6 is a top view thereof; and,

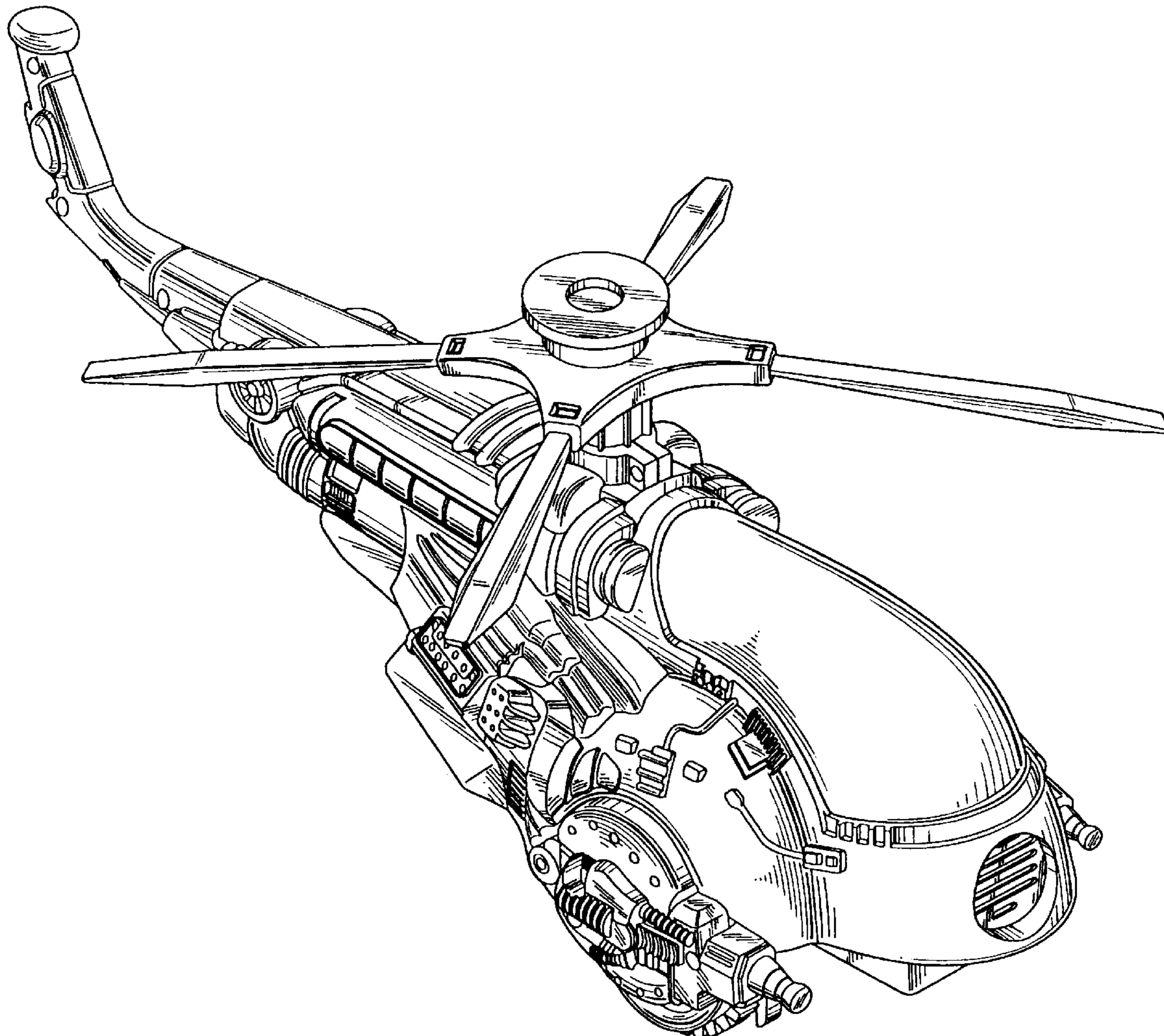
FIG. 7 is a bottom view thereof.

[56] **References Cited**

U.S. PATENT DOCUMENTS

- D. 211,804 7/1968 Genin D21/442
- D. 225,654 12/1972 Spiegel D21/442

1 Claim, 6 Drawing Sheets



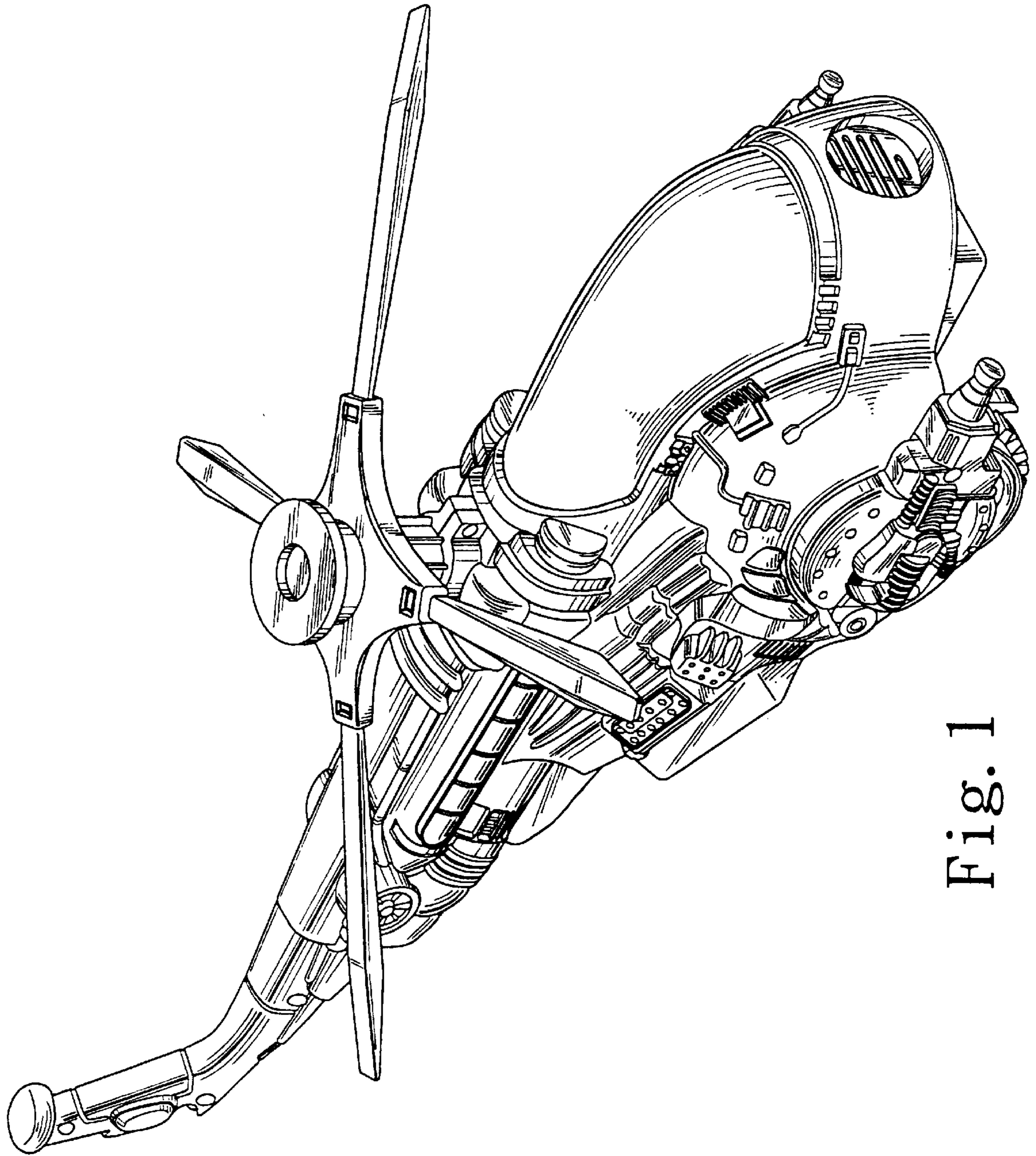


Fig. 1

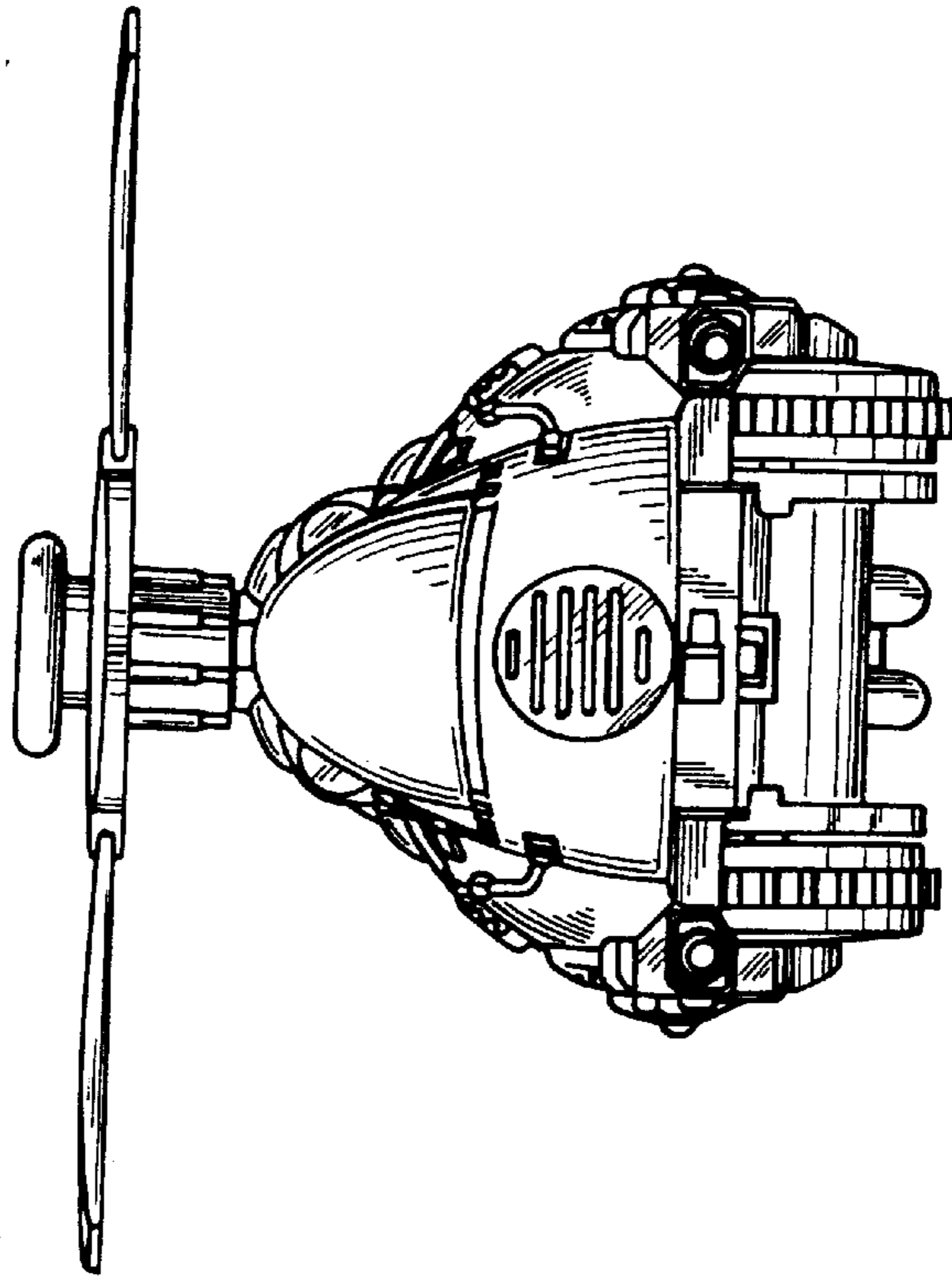


Fig. 2

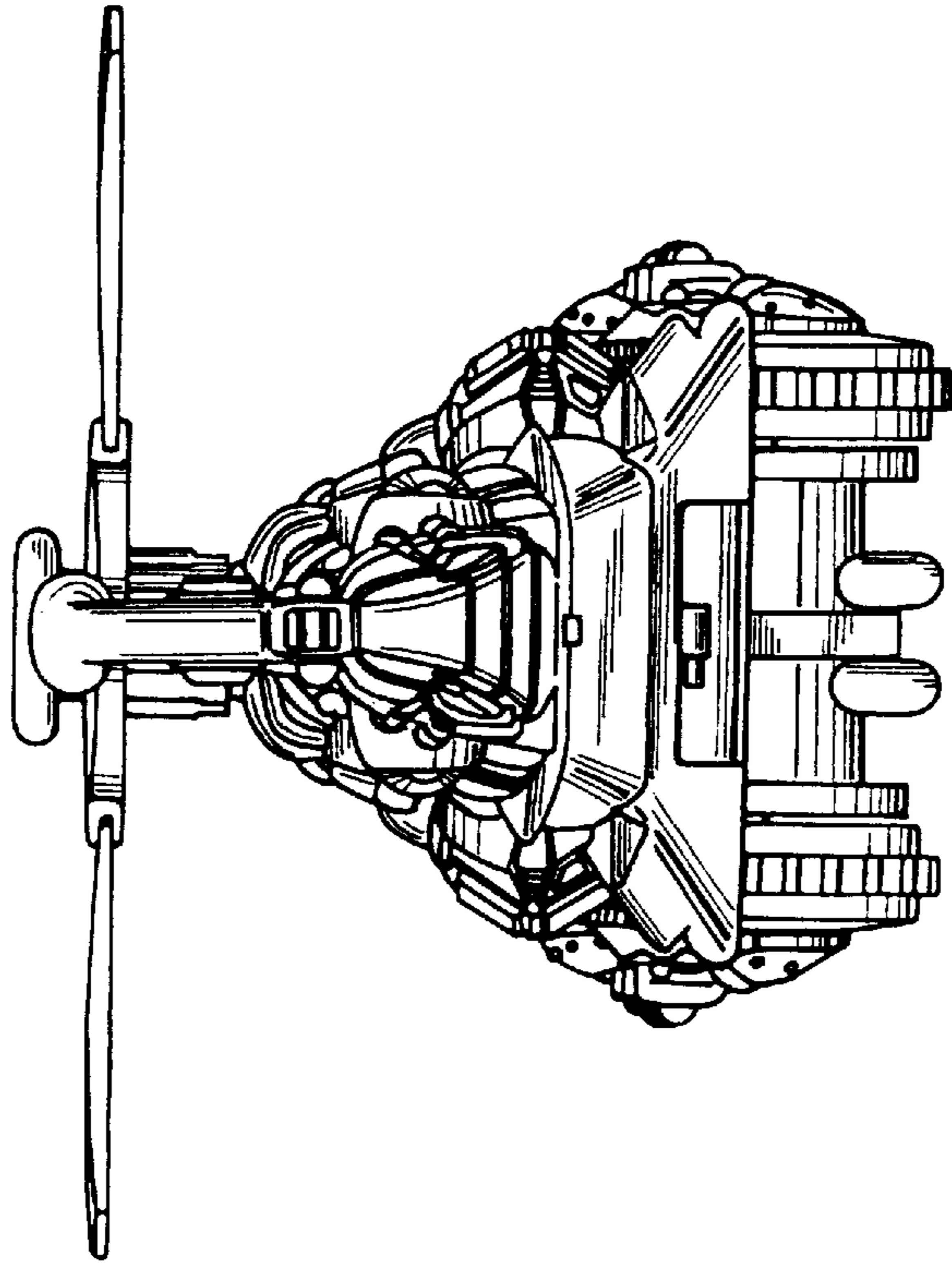


Fig. 3

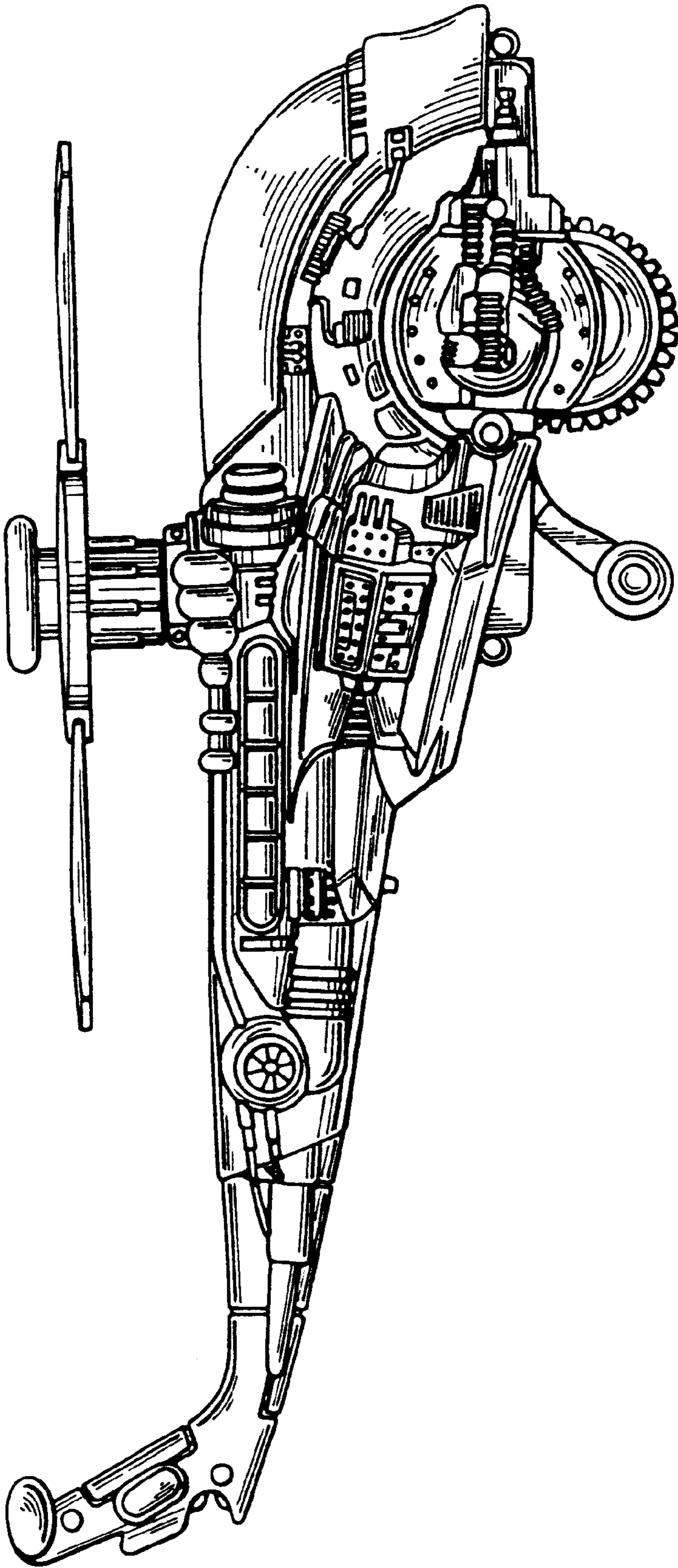


Fig. 4

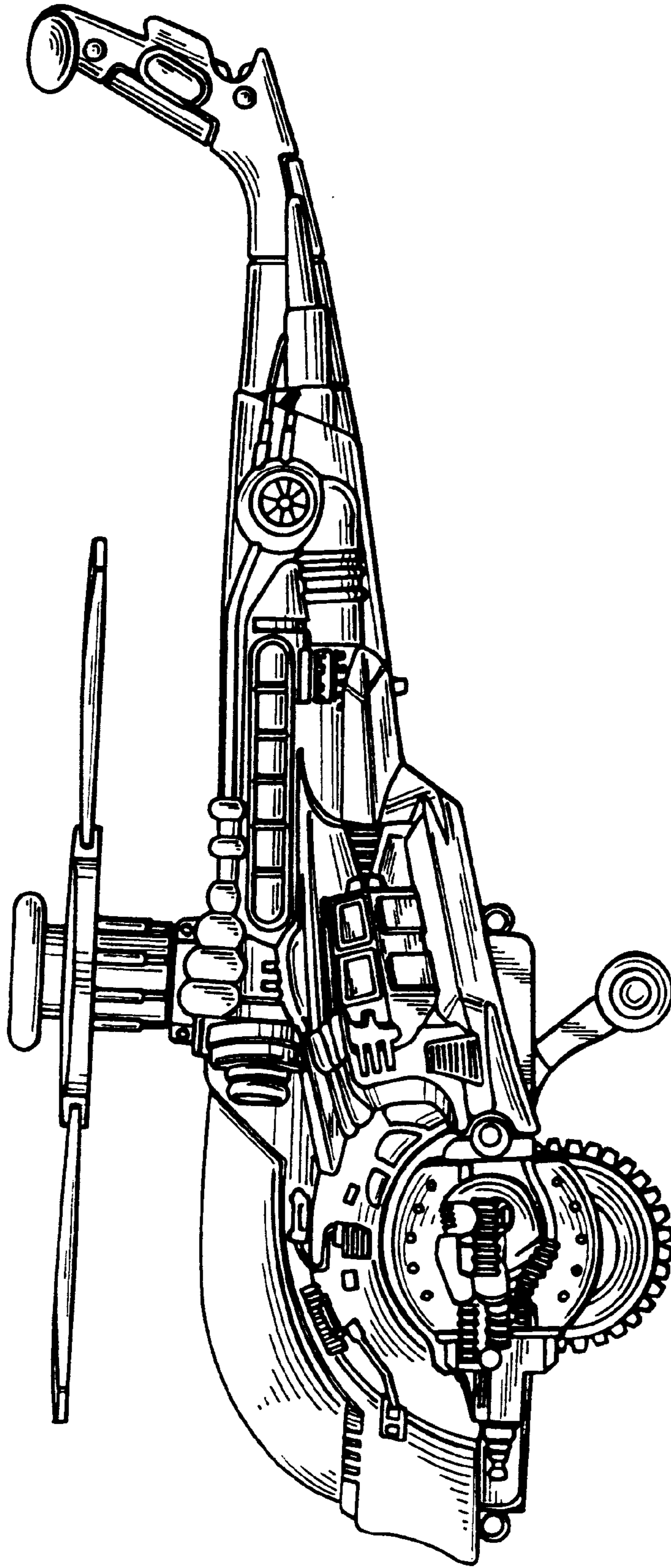


Fig. 5

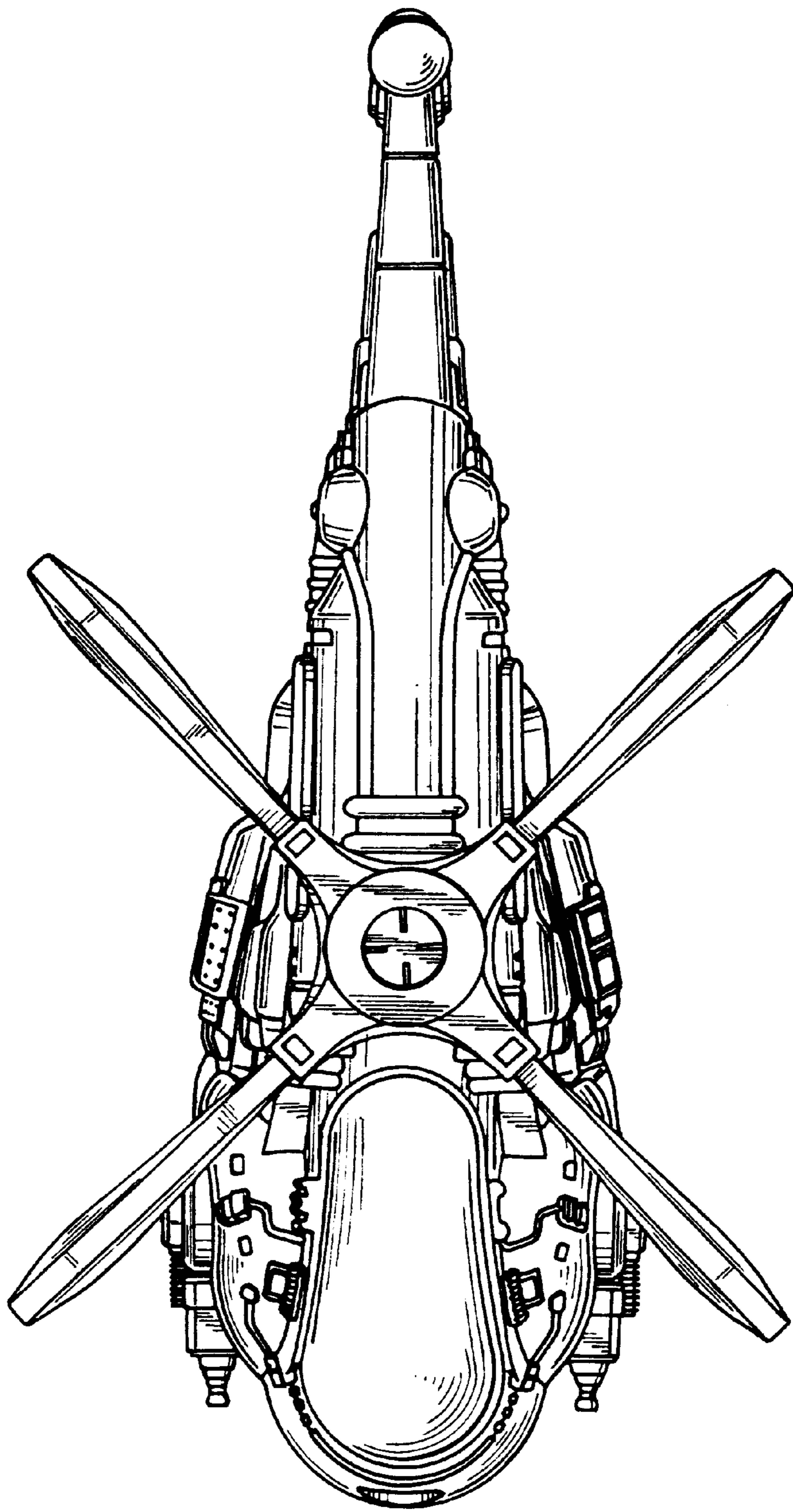


Fig. 6

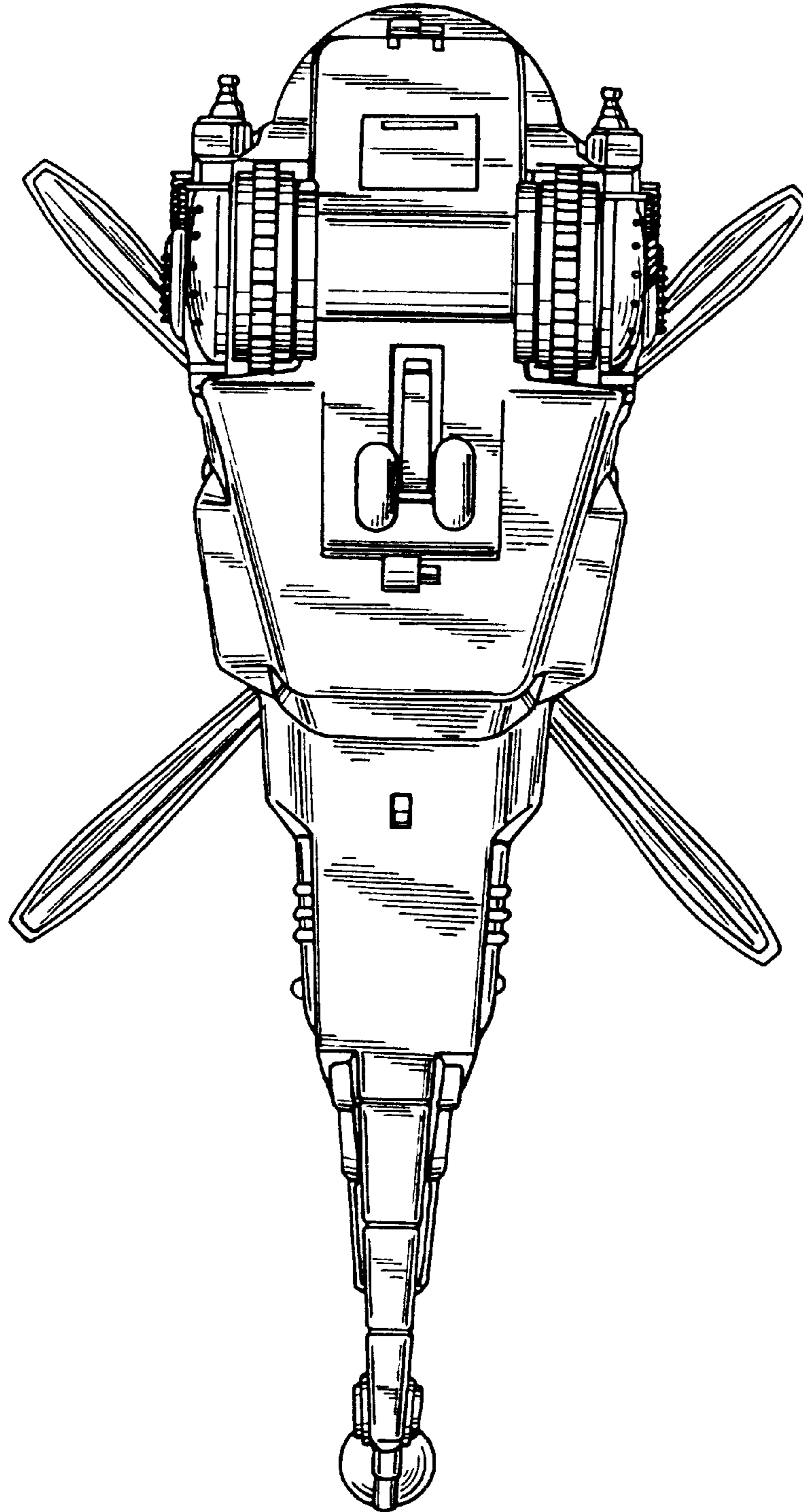


Fig. 7