



US00D421278S

United States Patent [19] Cleary

[11] Patent Number: **Des. 421,278**

[45] Date of Patent: **** Feb. 29, 2000**

[54] **SPINNING DICE**

[76] Inventor: **Richard J. Cleary**, West 1977
Brooklyn-Albany Rd., Brooklyn, Wis.
53521

[**] Term: **14 Years**

[21] Appl. No.: **29/101,561**

[22] Filed: **Mar. 5, 1999**

[51] **LOC (6) Cl.** **21-03**

[52] **U.S. Cl.** **D21/373; D21/460**

[58] **Field of Search** D21/334-368,
D21/371-374, 385-386, 460; 273/236-285,
147, 148 R

[56] **References Cited**

U.S. PATENT DOCUMENTS

D. 242,939	1/1977	Balleis	D34/15
D. 251,929	5/1979	Balleis	D21/97
D. 258,674	3/1981	Balleis	D21/97
D. 279,886	7/1985	Soifer	D11/121
2,311,453	2/1943	McKeown	D21/373
2,573,916	11/1951	Loveday	D21/373

3,130,973	4/1964	Zapolski	D21/373
4,042,247	8/1977	Harrington	273/141
4,304,064	12/1981	Kulesza	46/68
4,856,784	8/1989	Magee	273/147
4,932,918	6/1990	Onoda	446/260
5,683,284	11/1997	Christen	446/233

Primary Examiner—Sandra L. Morris
Attorney, Agent, or Firm—John D. Gugliotta

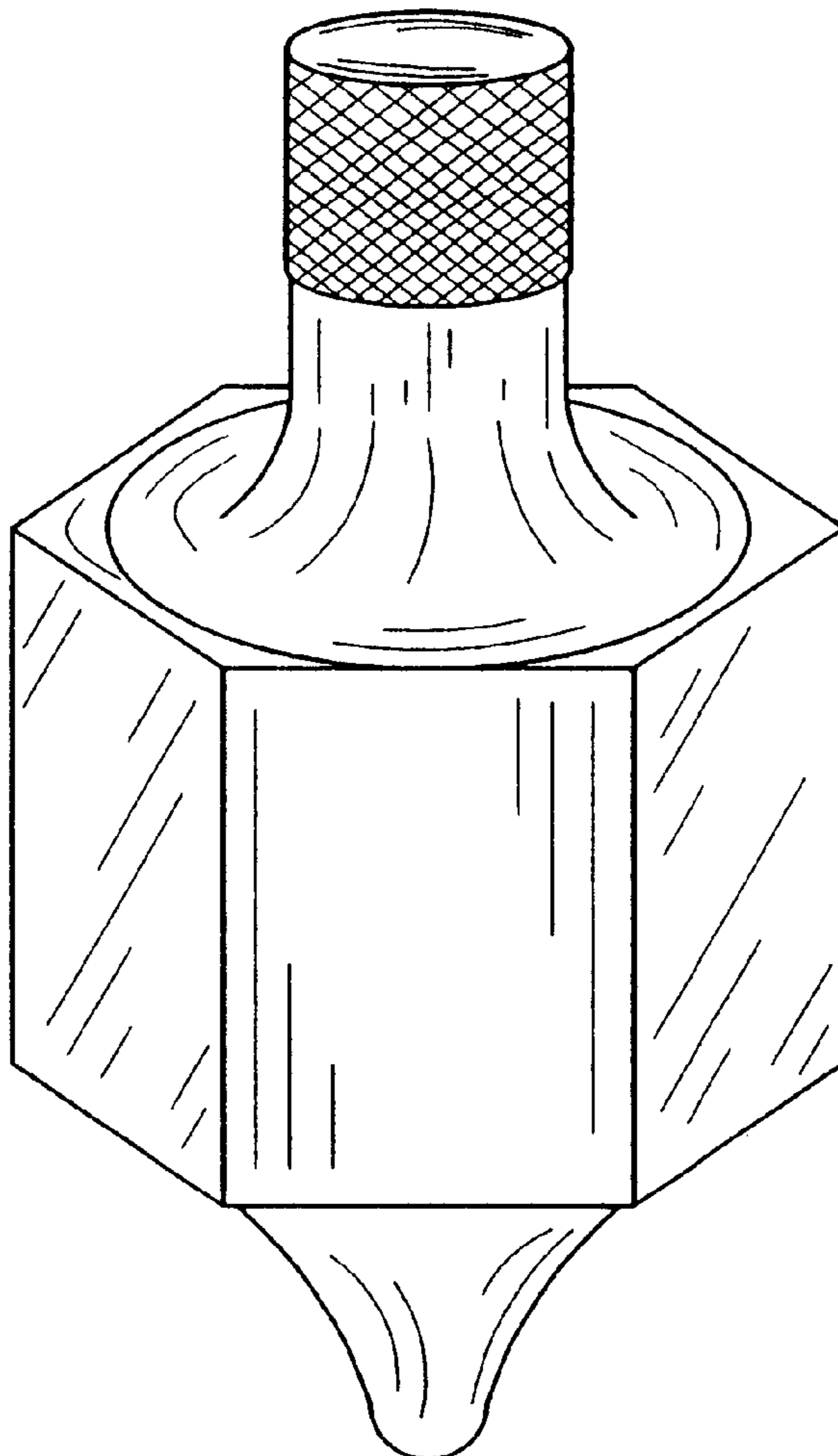
[57] **CLAIM**

The ornamental design for a spinning dice, as shown and described.

DESCRIPTION

FIG. 1 is a perspective view of a spinning dice showing my new design;
FIG. 2 is a perspective, in use view thereof;
FIG. 3 is a front elevational view thereof;
FIG. 4 is a rear elevational view thereof;
FIG. 5 is a left side elevational view thereof;
FIG. 6 is a right side elevational view thereof; and,
FIG. 7 is a top plan view thereof.
FIGS. 2-7 are shown on a reduced scale.

1 Claim, 2 Drawing Sheets



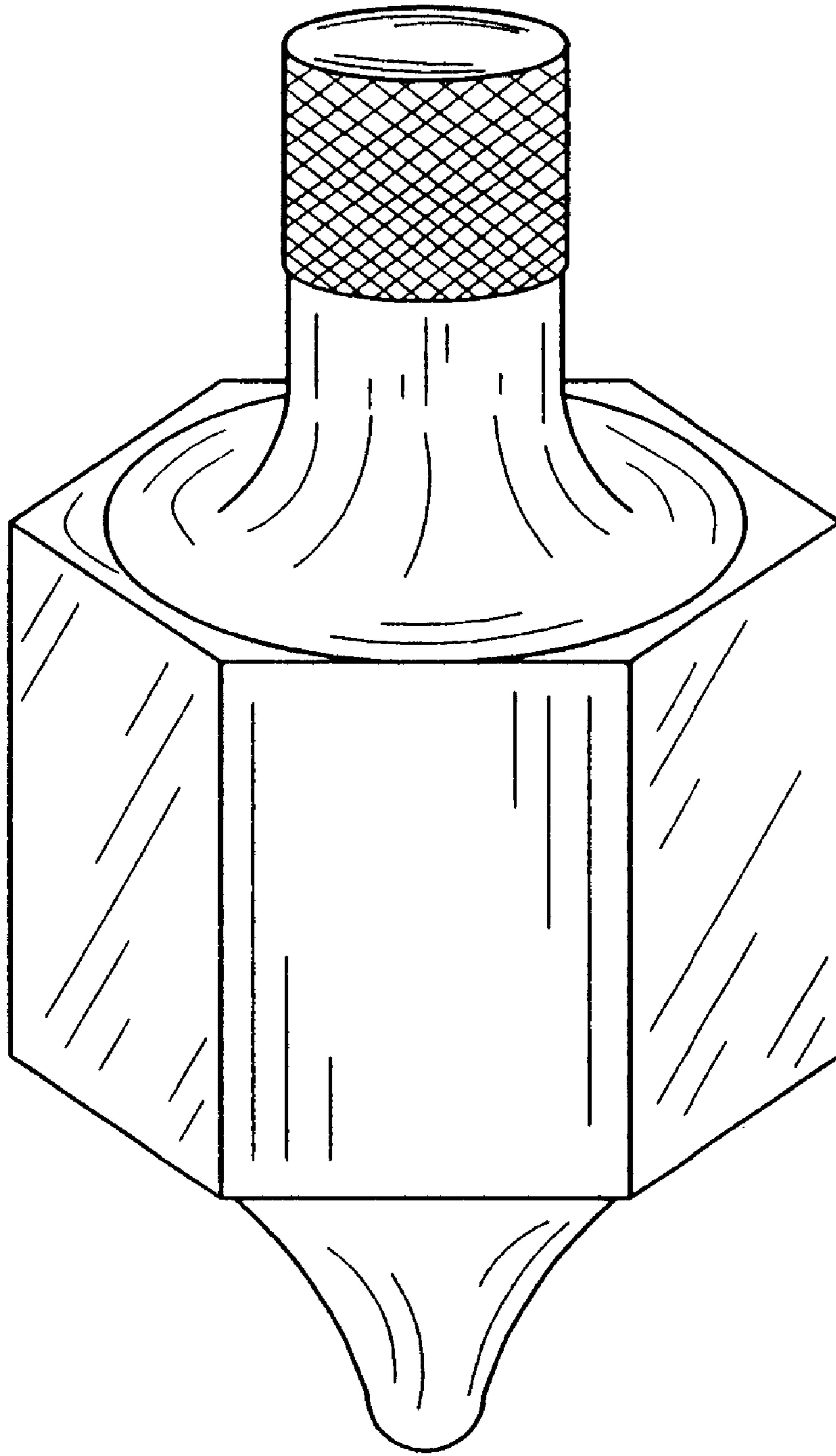


Figure 1

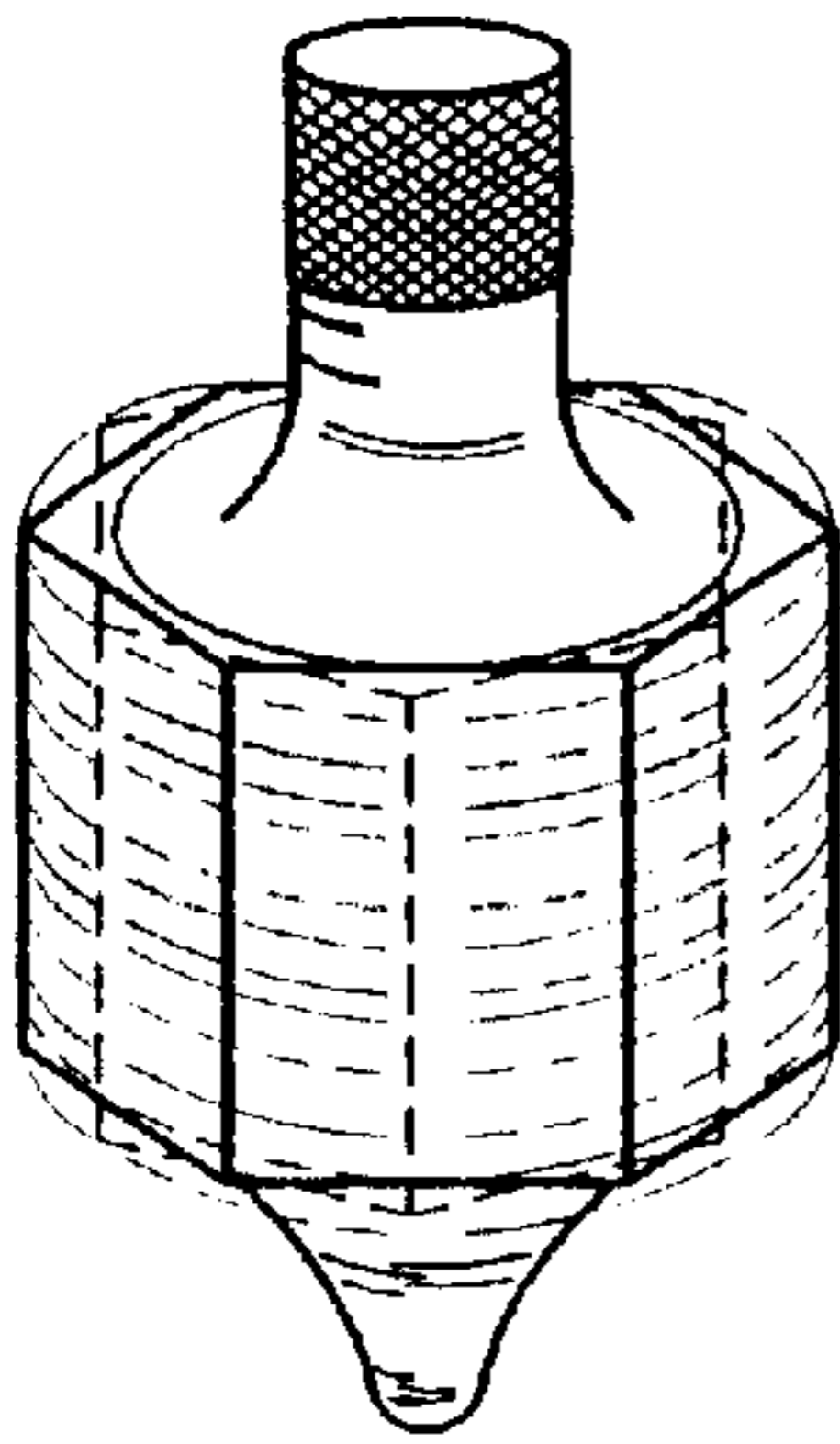


Figure 2

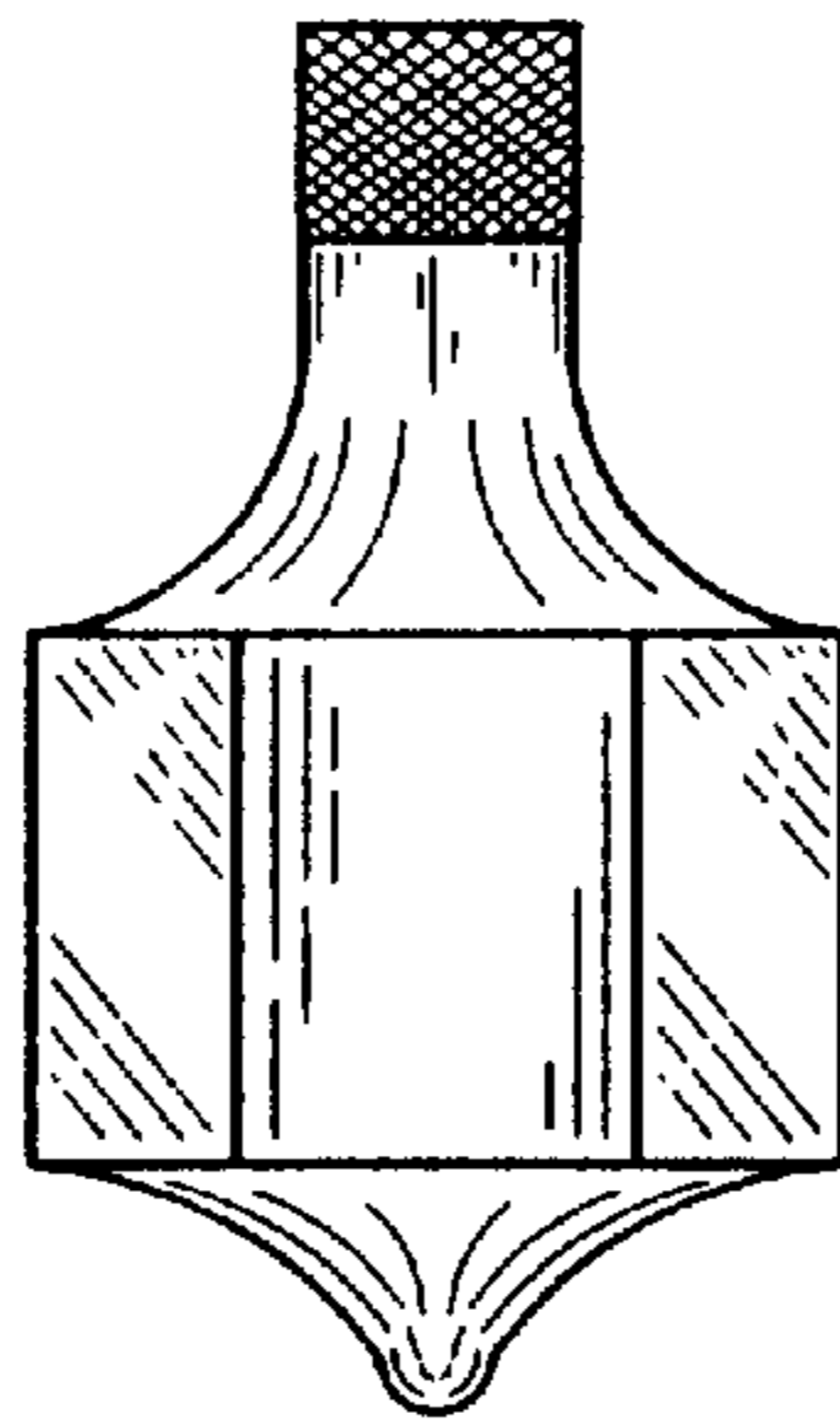


Figure 3

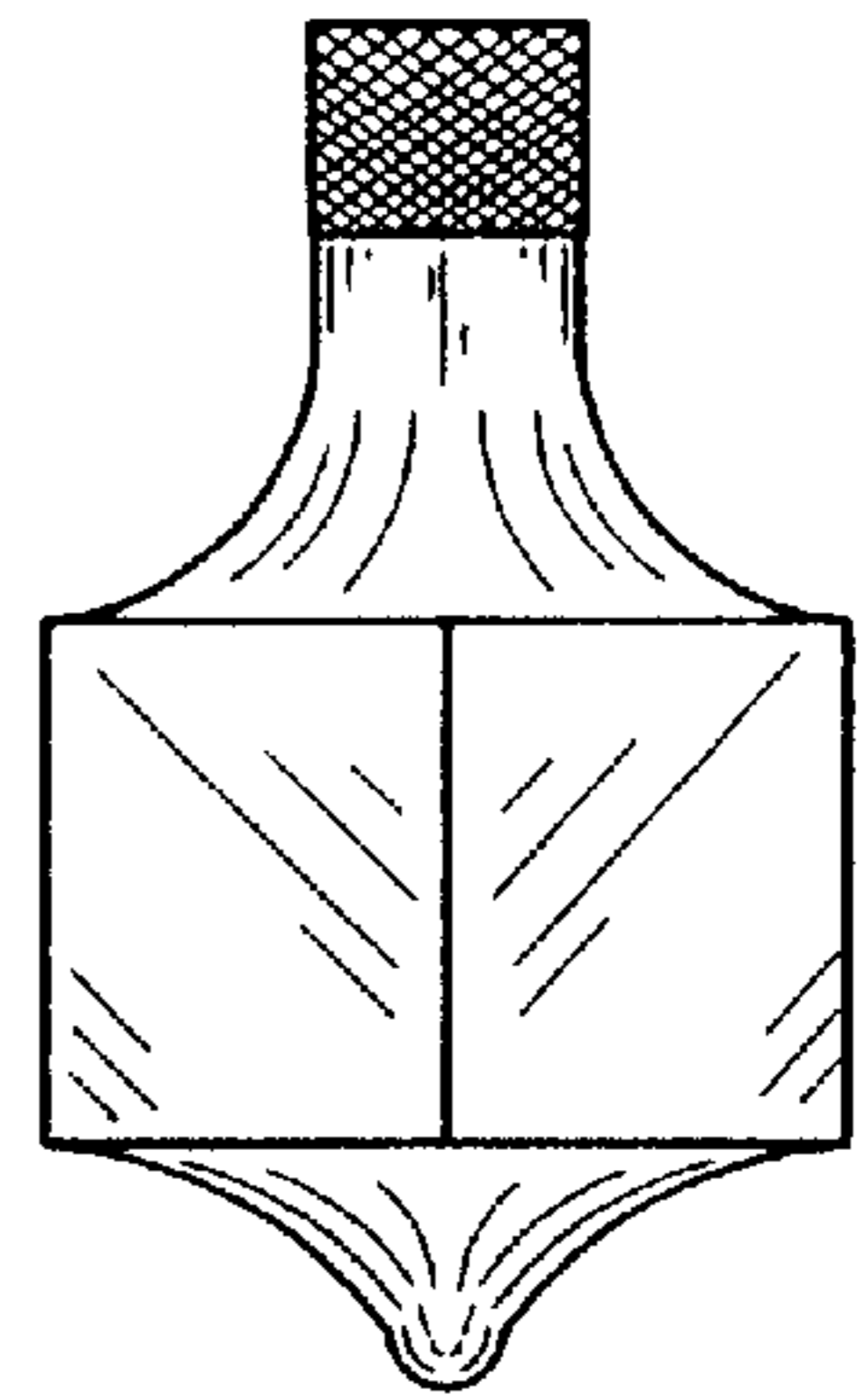


Figure 4

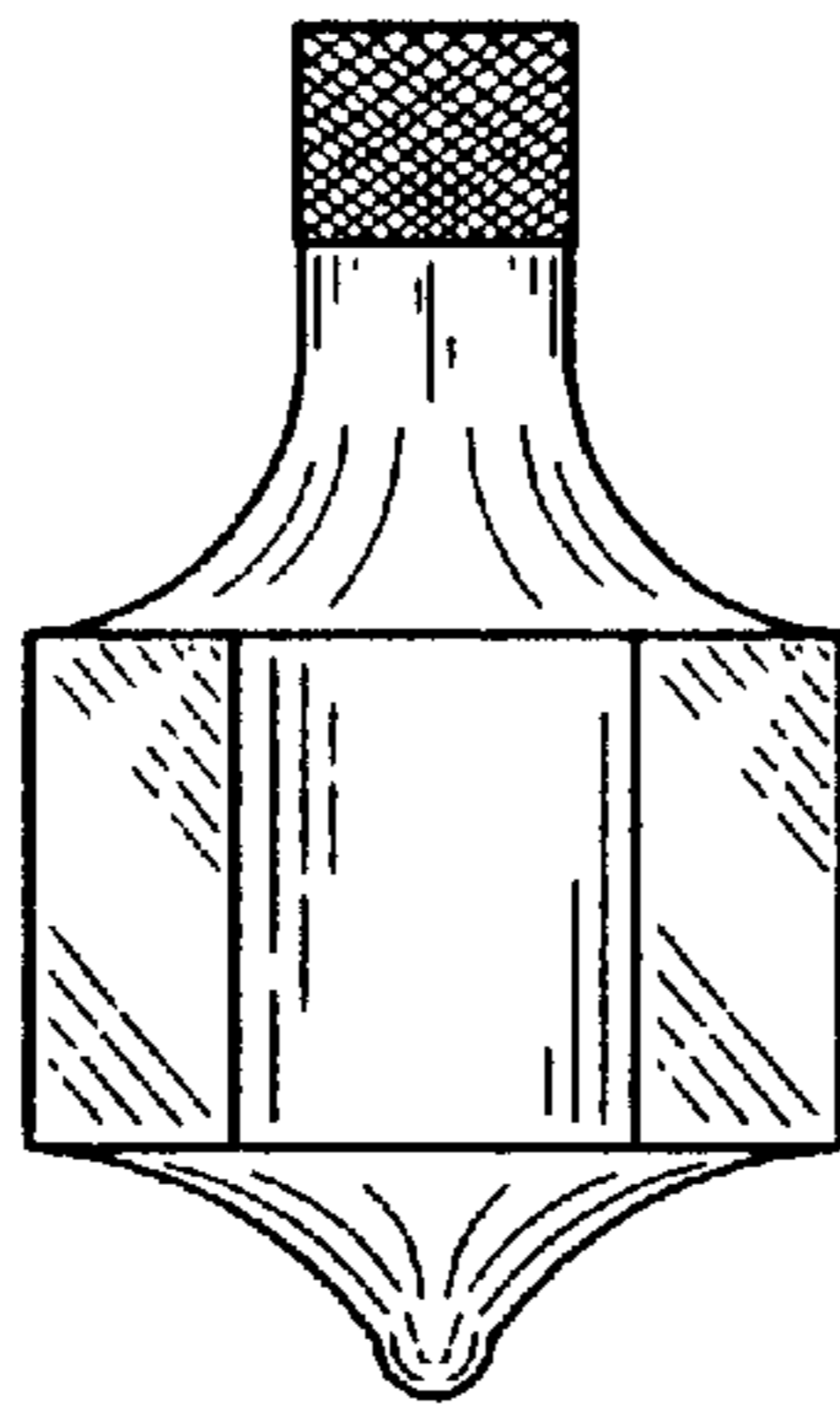


Figure 5

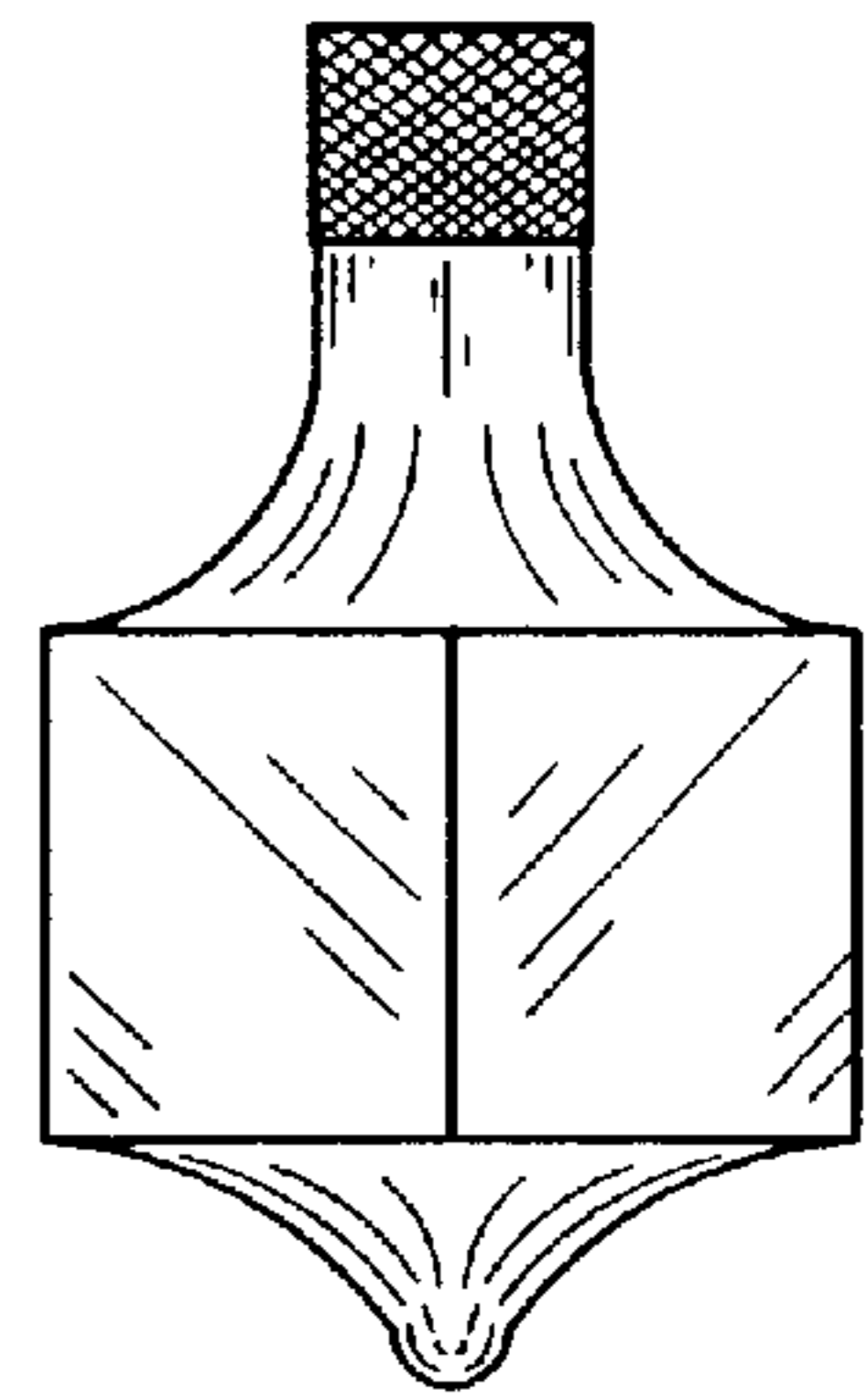


Figure 6

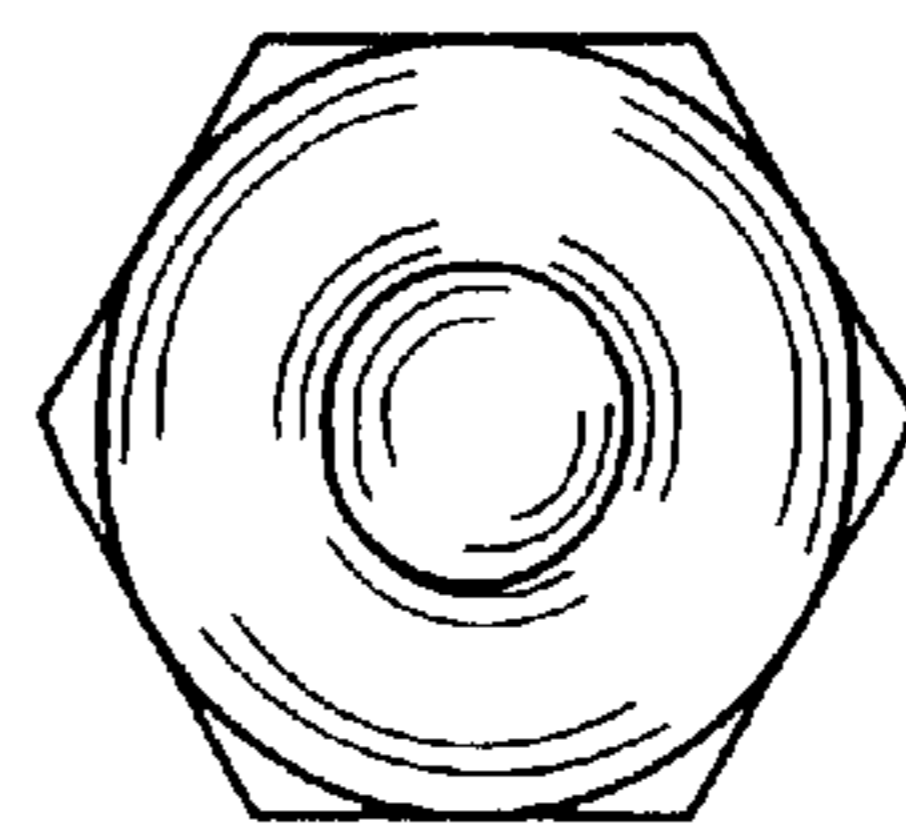


Figure 7