



US00D421274S

# United States Patent [19]

Kreimer et al.

[11] Patent Number: **Des. 421,274**

[45] Date of Patent: **\*\* Feb. 29, 2000**

[54] **TYPIST'S STAND**

[76] Inventors: **Milton P. Kreimer; E. Jane Kreimer**,  
both of P.O. Box 23993, Ft. Lauderdale,  
Fla. 33307-3993

[\*\*] Term: **14 Years**

[21] Appl. No.: **29/104,051**

[22] Filed: **Apr. 27, 1999**

[51] **LOC (6) Cl.** ..... **19-02**

[52] **U.S. Cl.** ..... **D19/90; D19/86; D19/91**

[58] **Field of Search** ..... D6/300, 351; D19/52,  
D19/65, 75, 78, 86, 90, 88, 91, 95, 99,  
100; D20/18; 312/196; 211/43; 248/441.1,  
442.2, 444.1, 445, 451, 450, 453, 455,  
460, 456

[56] **References Cited**

**U.S. PATENT DOCUMENTS**

D. 141,059	5/1945	Siegel	.....	D6/300
D. 164,483	9/1951	Flannery	.....	D19/91
D. 211,191	5/1968	Nutt	.....	D6/351
D. 230,376	2/1974	Andrew	.....	D19/91
D. 320,622	10/1991	Yasika	.....	D20/18

1,851,906	3/1932	Henderson	.....	312/196
2,017,518	10/1935	Wagner	.....	248/456
2,490,356	12/1949	Hummel	.....	45/57
3,272,183	9/1966	Craighead et al.	.....	120/28
3,718,308	2/1973	Hainault	.....	248/460
3,914,888	10/1975	Garrison	.....	40/10 R
4,073,460	2/1978	Dale	.....	248/441 R
4,496,127	1/1985	Nelson	.....	248/441.1
5,230,535	7/1993	Figlenski	.....	281/45
5,464,293	11/1995	Hall	.....	400/718
5,722,628	3/1998	Menaged	.....	248/441.1

*Primary Examiner*—Martie K. Holtje  
*Attorney, Agent, or Firm*—Oltman, Flynn & Kubler

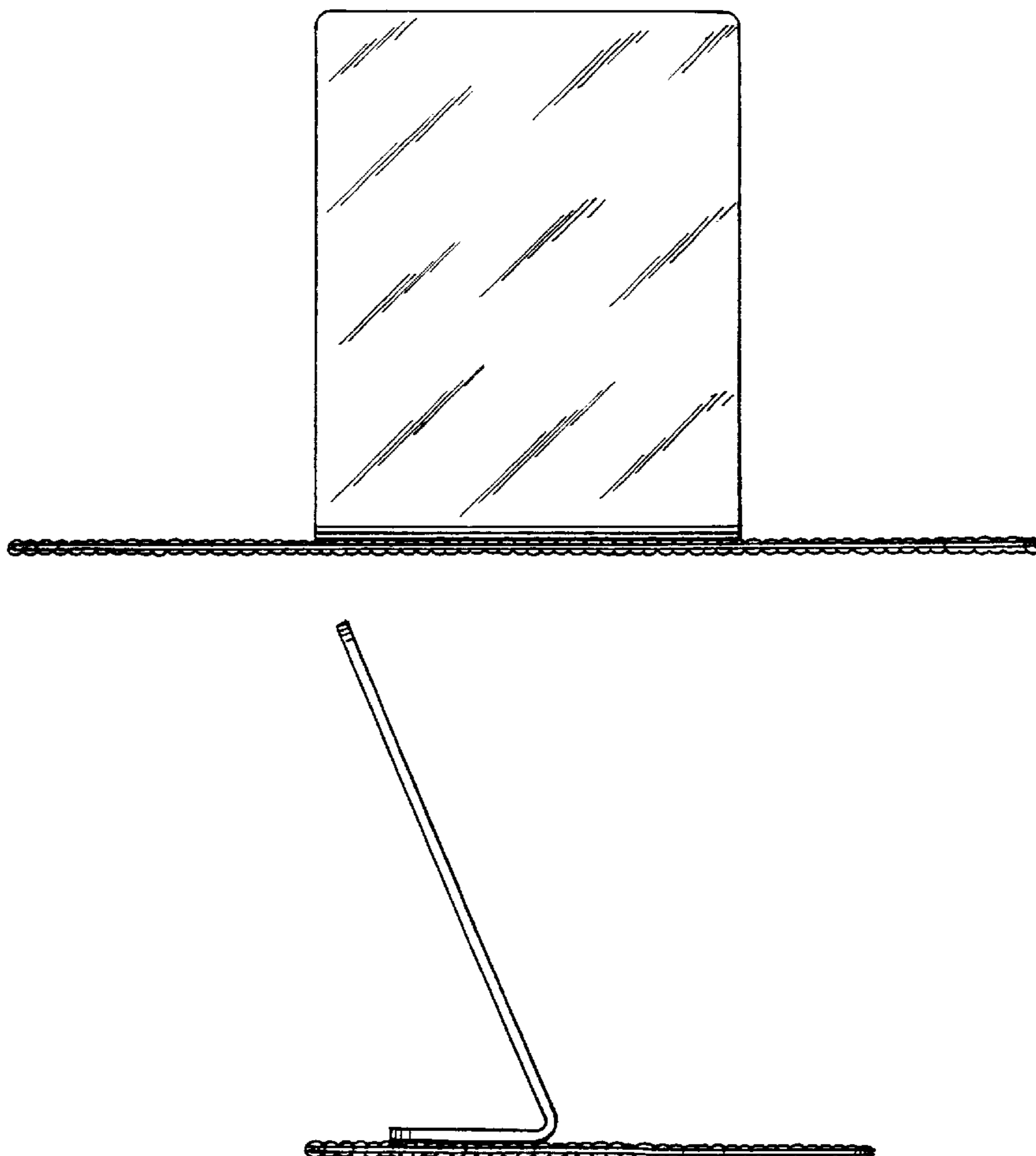
[57] **CLAIM**

The ornamental design for a typist's stand, as shown.

**DESCRIPTION**

FIG. 1 is a front elevational view of a typist's stand showing our new design;  
FIG. 2 is a left side elevational view thereof;  
FIG. 3 is a right side elevational view thereof;  
FIG. 4 is a top plan view thereof;  
FIG. 5 is a rear elevational view thereof; and,  
FIG. 6 is a bottom plan view thereof.

**1 Claim, 2 Drawing Sheets**



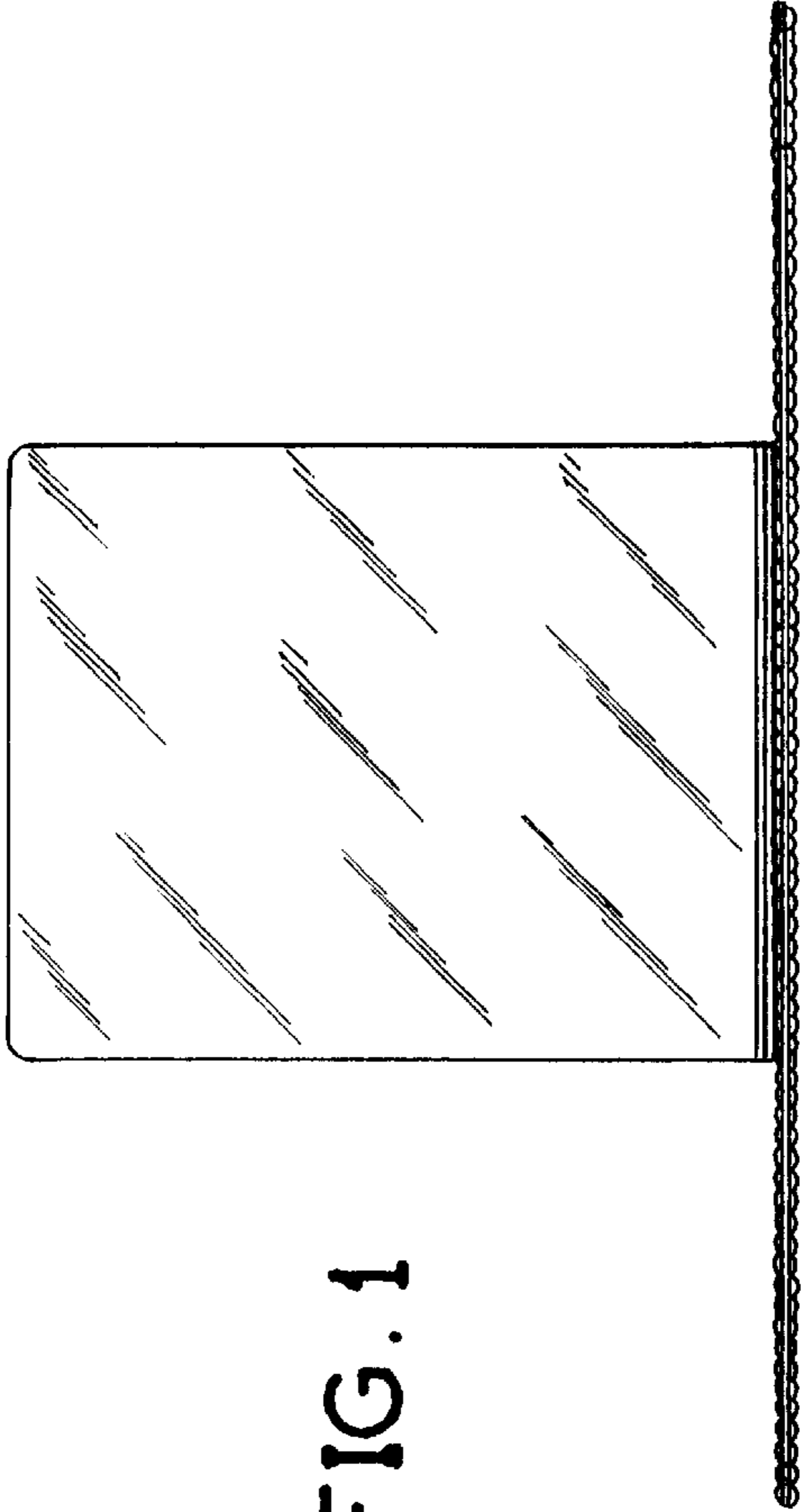


FIG. 1

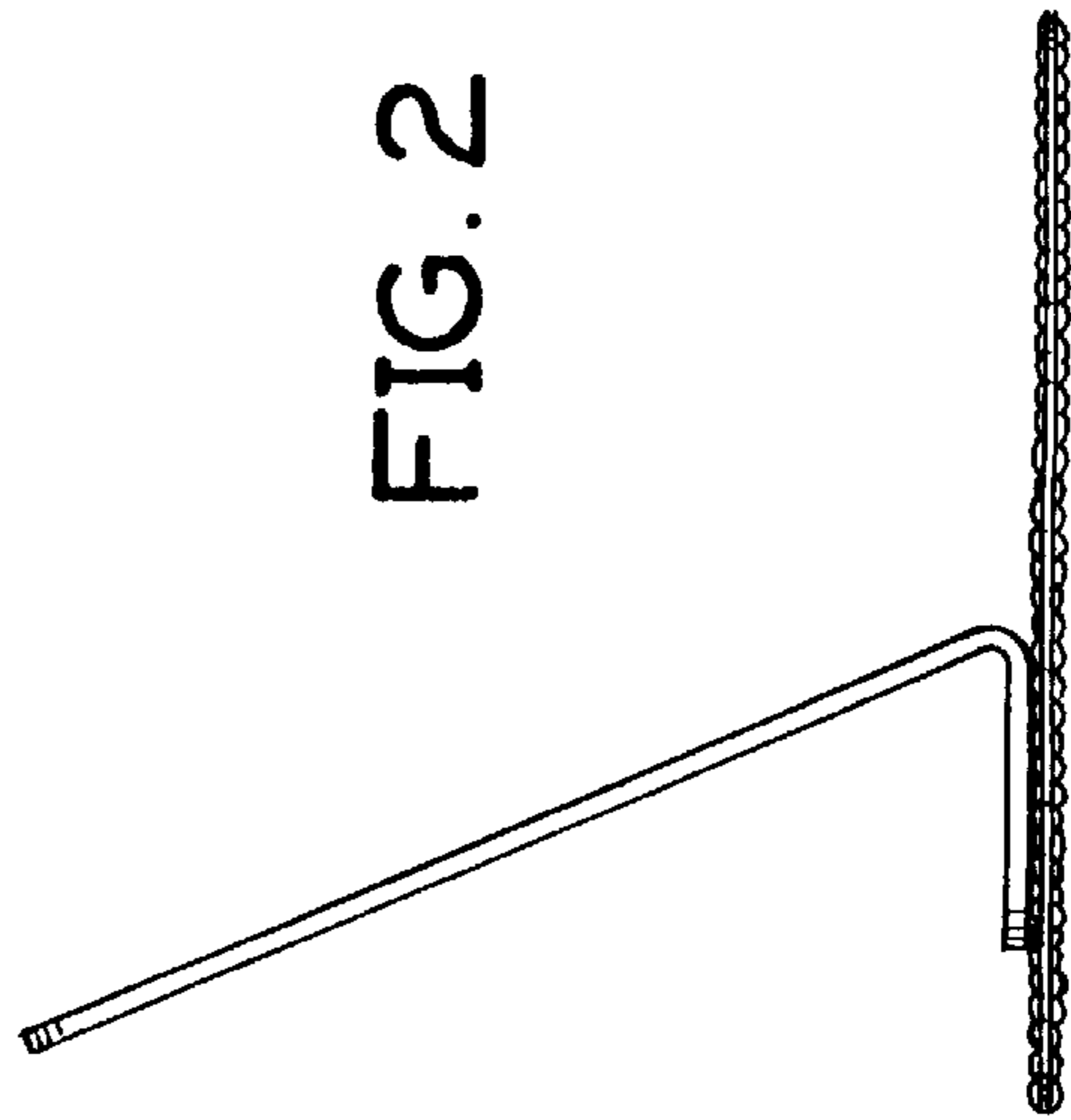


FIG. 2

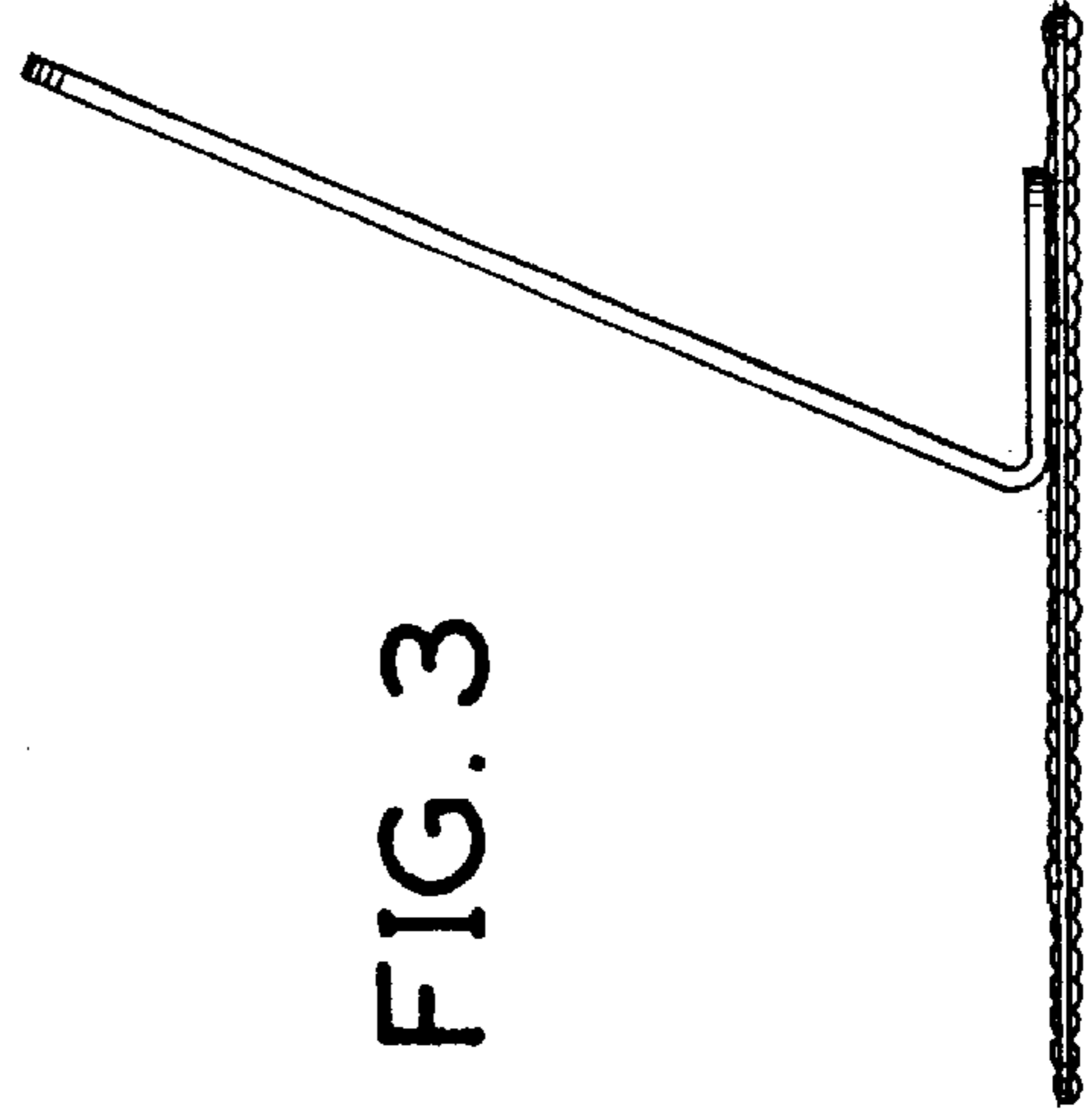


FIG. 3

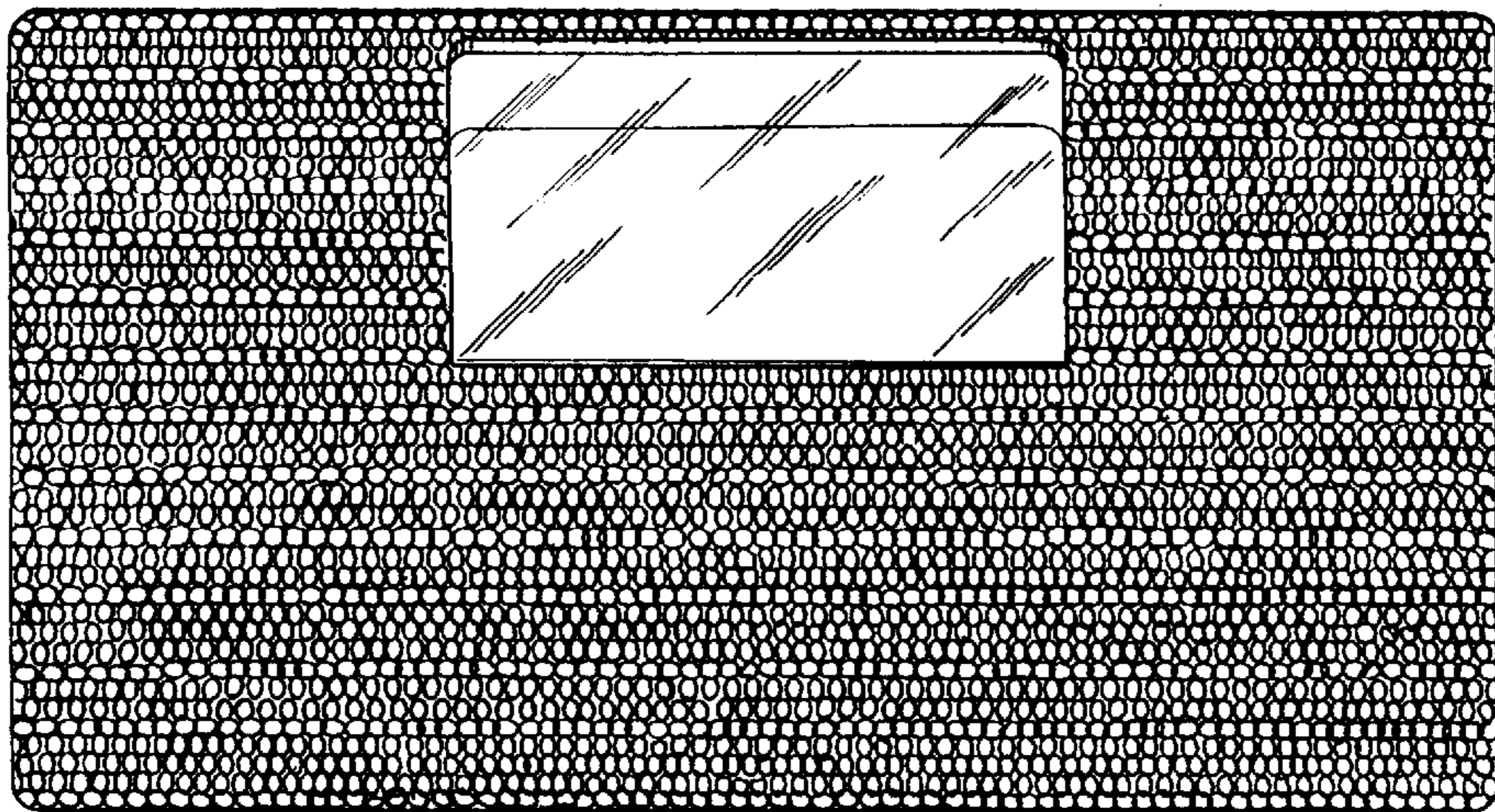


FIG. 4

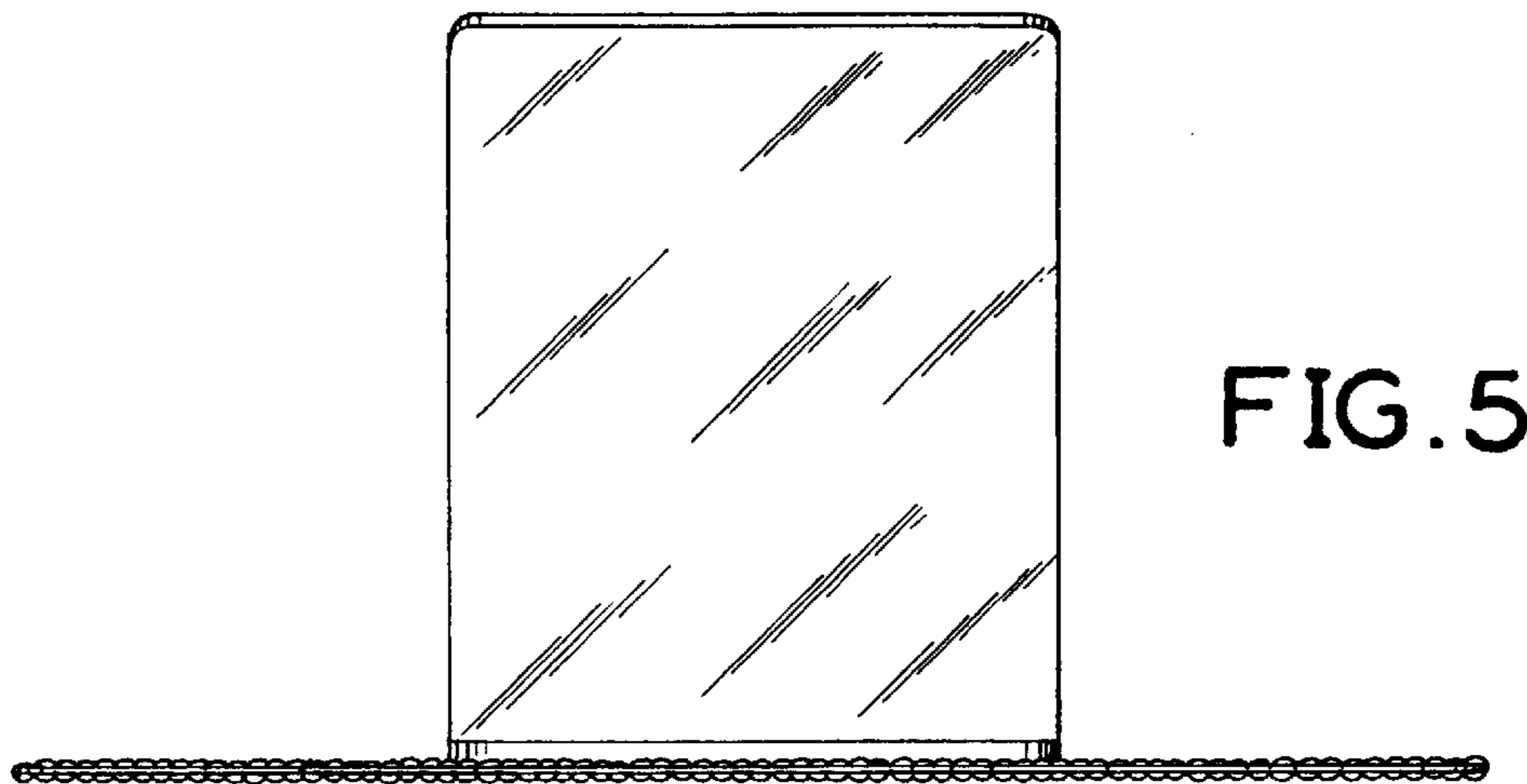


FIG. 5

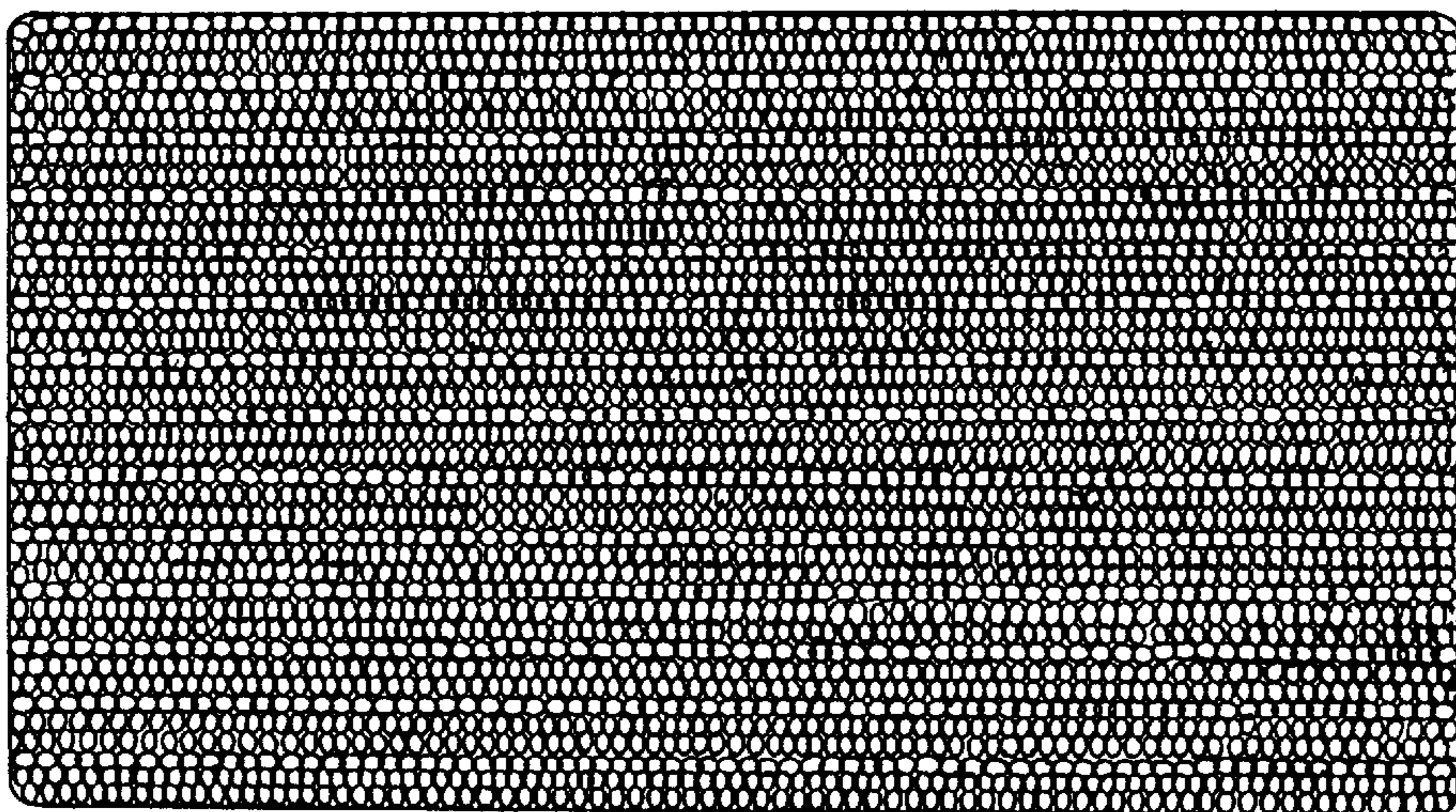


FIG. 6