



US00D421273S

United States Patent [19]

Goodman et al.

[11] Patent Number: **Des. 421,273**

[45] Date of Patent: **** Feb. 29, 2000**

[54] **LETTER ORGANIZER**

[75] Inventors: **Sheldon H. Goodman**, 30905 Stratford, Solon, Ohio 44139; **Karen L. Gail**, Cleveland Heights, Ohio

[73] Assignee: **Sheldon H. Goodman**, Solon, Ohio

[**] Term: **14 Years**

[21] Appl. No.: **29/100,486**

[22] Filed: **Feb. 11, 1999**

[51] **LOC (6) Cl.** **19-02**

[52] **U.S. Cl.** **D19/90; D19/75; D19/86**

[58] **Field of Search** D6/462, 407, 553; D7/631; D19/65, 75, 78, 86, 90, 91, 95, 99, 100; 402/20; 211/10, 11, 50, 41.1, 41.12, 42, 45

[56] **References Cited**

U.S. PATENT DOCUMENTS

- D. 162,925 4/1951 Berkowitz D6/462
- D. 313,546 1/1991 Beirise et al. D19/90 X

- D. 313,905 1/1991 Yau Kee D6/462
- D. 353,400 12/1994 Goodman et al. D19/90
- D. 390,269 2/1998 Fotioo D19/90
- D. 395,798 7/1998 Goodman D7/631
- 470,050 3/1892 Jewell 402/20
- 3,176,849 4/1965 Peebles 211/50

Primary Examiner—Martie K. Holtje
Attorney, Agent, or Firm—Pearne, Gordon, McCoy & Granger LLP

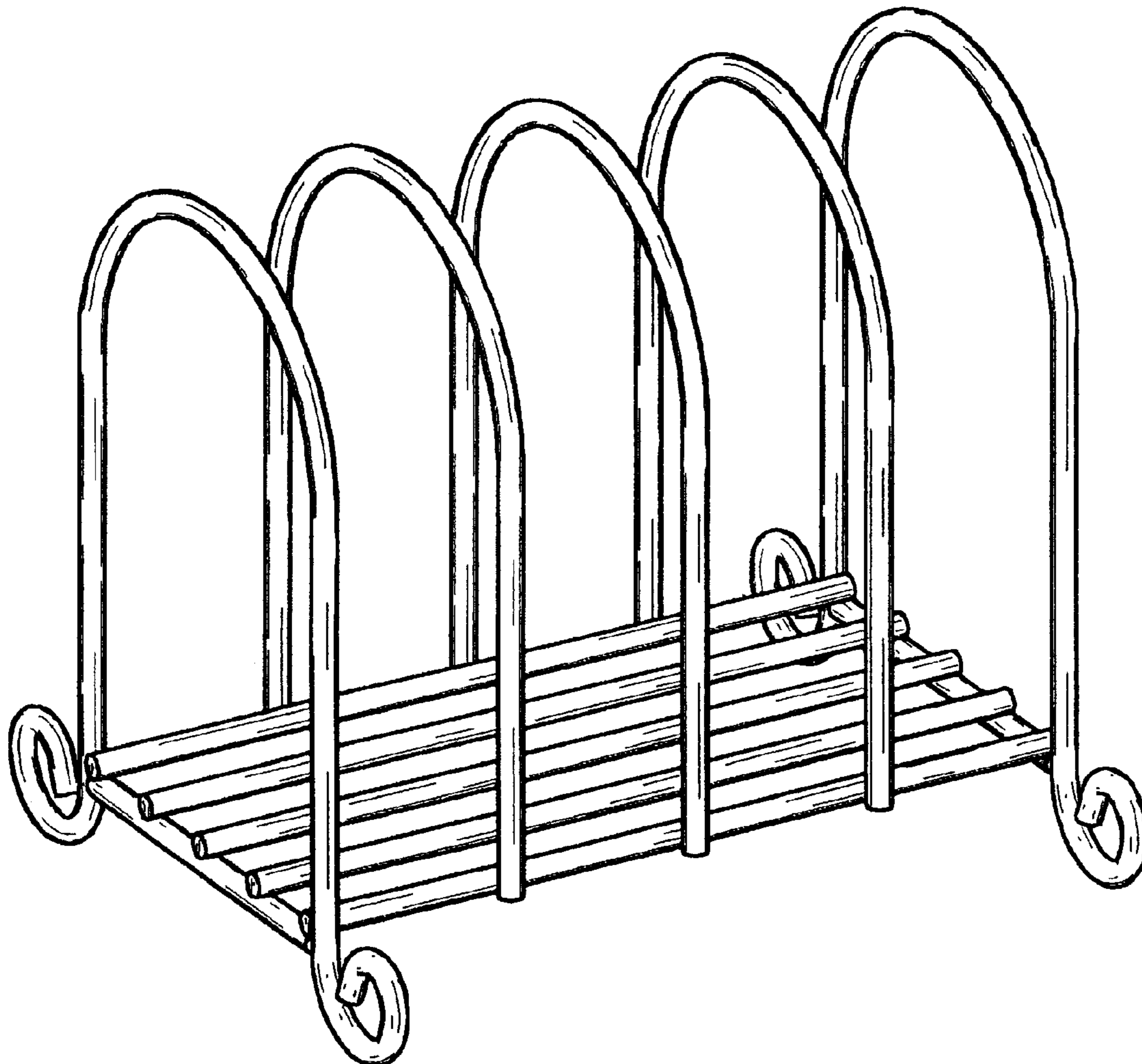
[57] **CLAIM**

The ornamental design for a letter organizer, as shown and described.

DESCRIPTION

FIG. 1 is a perspective view of a letter organizer showing our new design;
FIG. 2 is a left side elevational view thereof, the right side elevational view being identical;
FIG. 3 is a front elevational view thereof, the rear elevational view being identical;
FIG. 4 is a top plan view thereof; and,
FIG. 5 is a bottom plan view thereof.

1 Claim, 2 Drawing Sheets



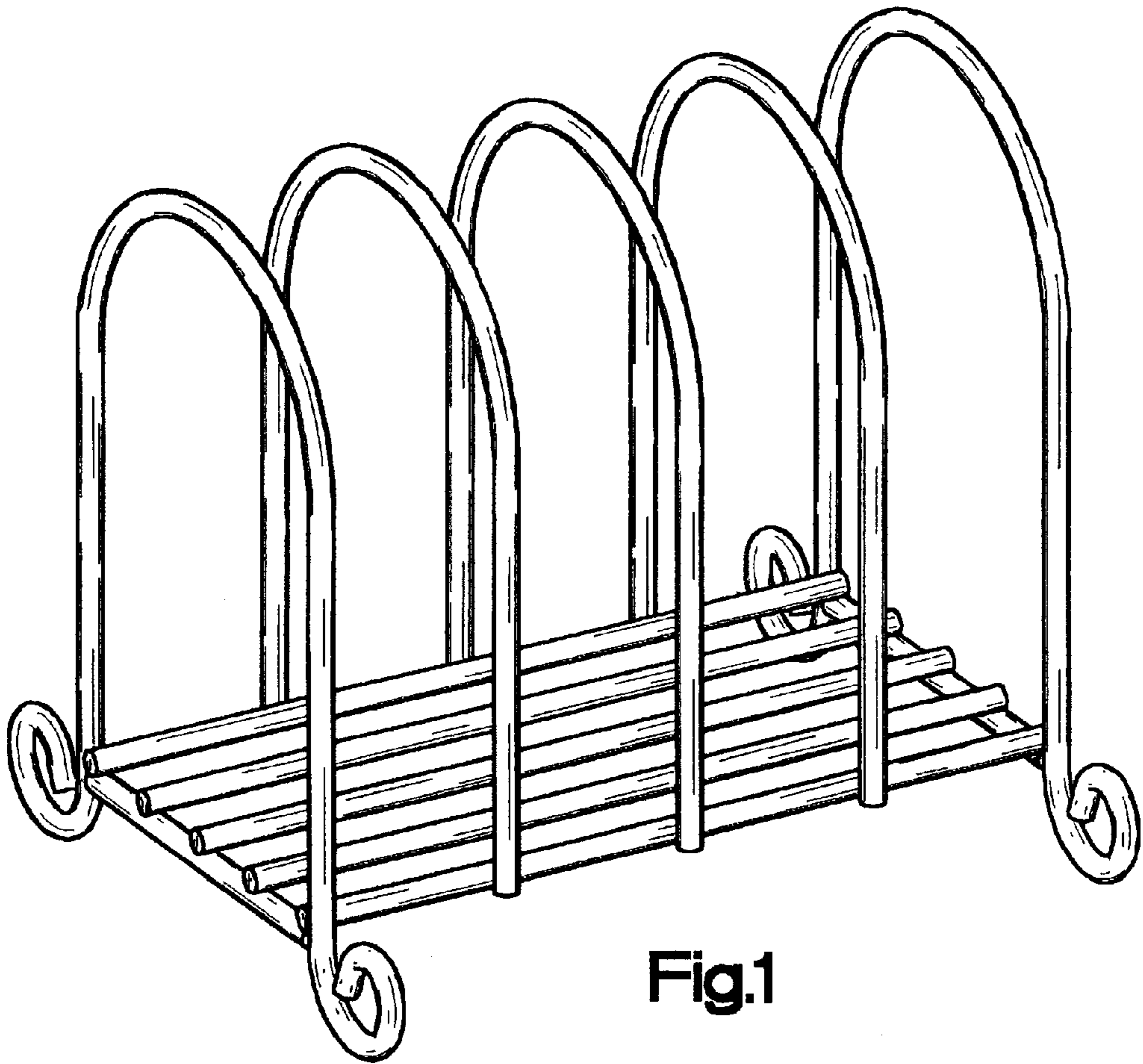


Fig.1

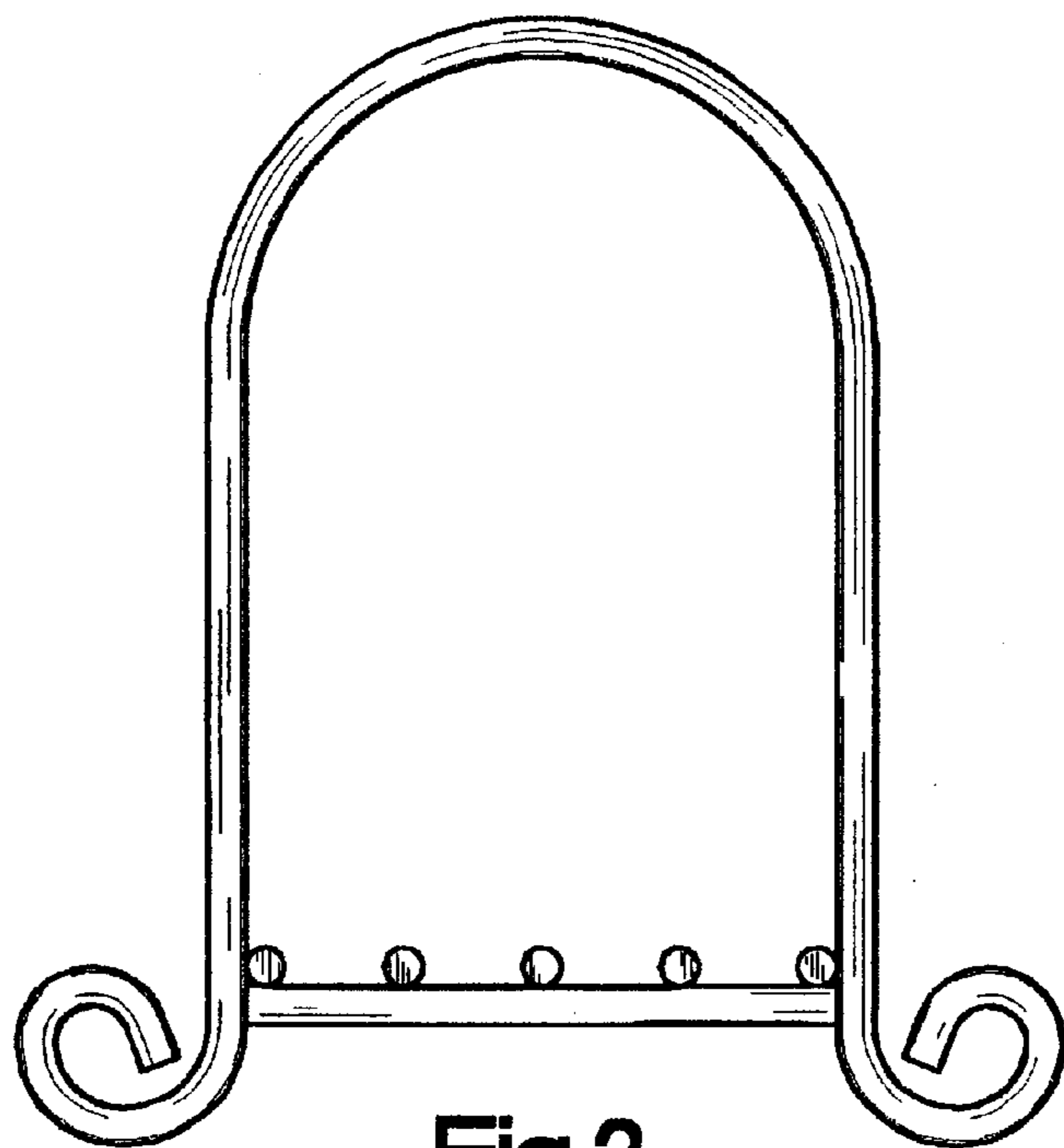


Fig.2

Fig.3

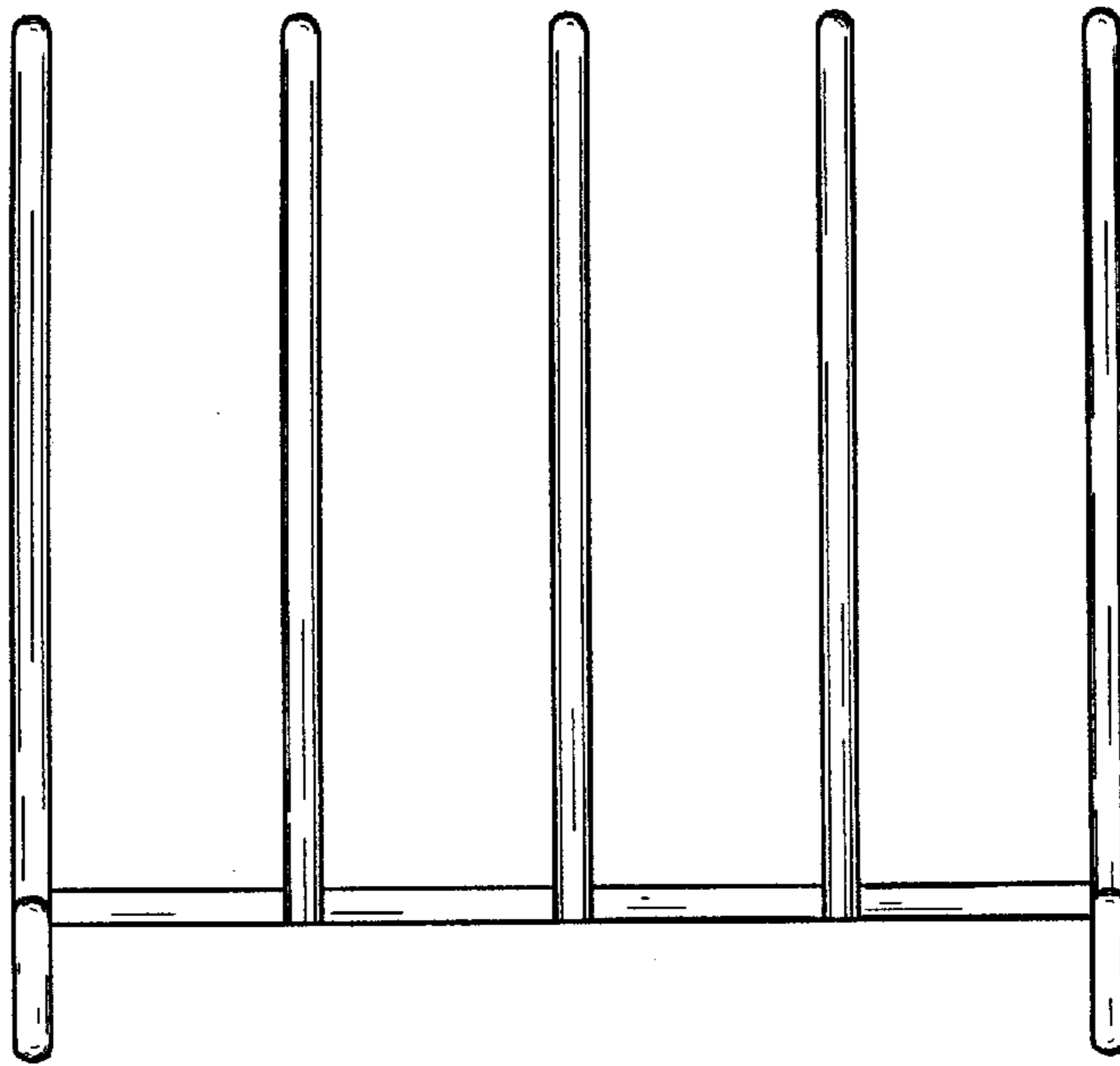


Fig.4

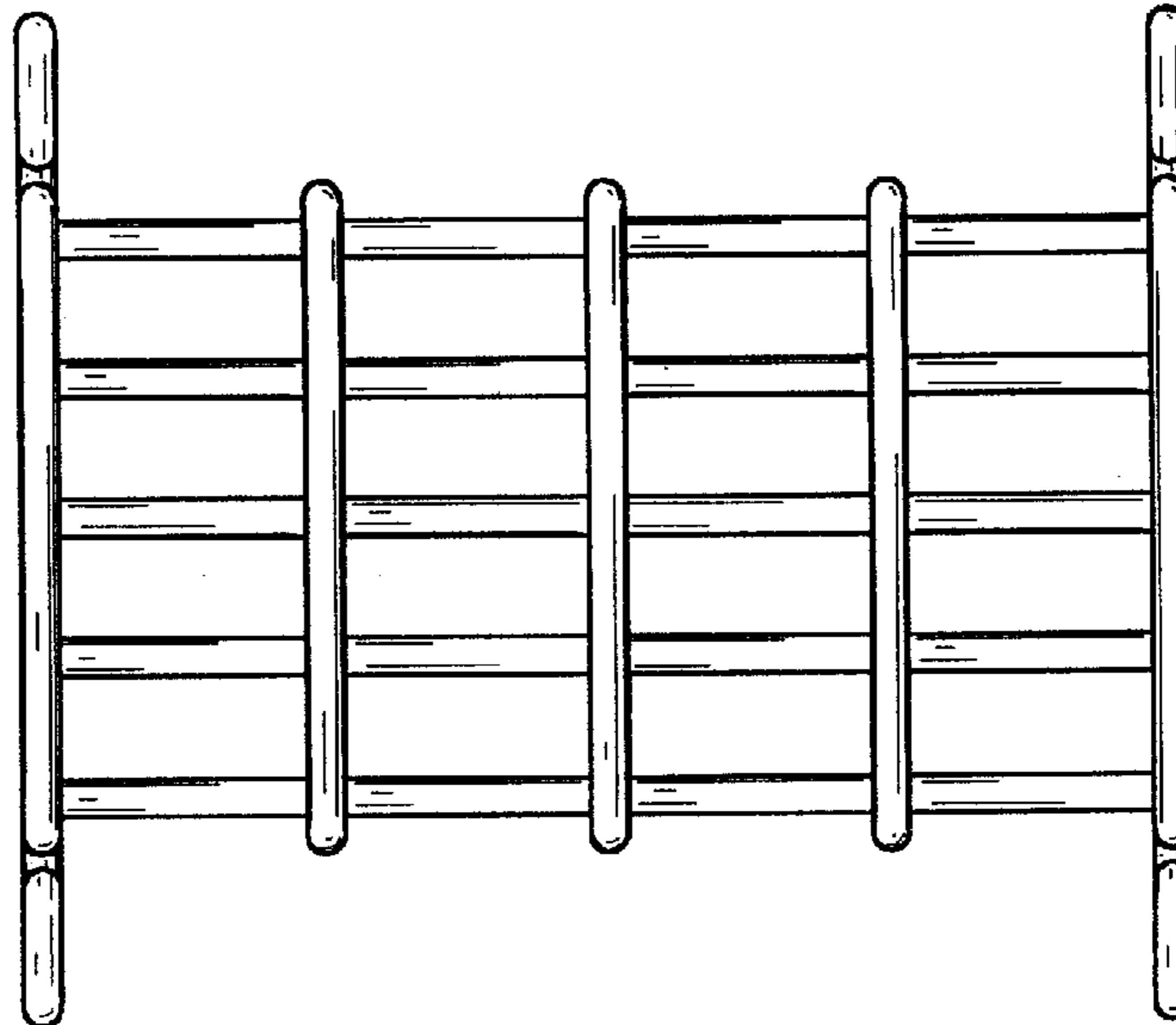


Fig.5

