



US00D421270S

# United States Patent [19] Yamaguchi

[11] Patent Number: Des. 421,270

[45] Date of Patent: \*\* Feb. 29, 2000

[54] INK CARTRIDGE

[75] Inventor: Yasutake Yamaguchi, Chiryu, Japan

[73] Assignee: Brother Kogyo Kabushiki Kaisha,  
Aichi-Ken, Japan

[\*\*] Term: 14 Years

[21] Appl. No.: 29/093,210

[22] Filed: Sep. 3, 1998

### [30] Foreign Application Priority Data

Mar. 19, 1998	[JP]	Japan	.....	10-7897
Mar. 19, 1998	[JP]	Japan	.....	10-7898

[51] LOC (6) Cl. .... 18-02

[52] U.S. Cl. .... D18/56

[58] Field of Search ..... D18/56; 347/86,  
347/87, 1.1, 136

### [56] References Cited

#### U.S. PATENT DOCUMENTS

D. 383,777	9/1997	Solero	.....	D18/56
D. 387,086	12/1997	Sasaki	.....	D18/56
D. 387,379	12/1997	Sasaki	.....	D18/56
D. 392,995	3/1998	Sasaki	.....	D18/56
D. 395,445	6/1998	Tokuda et al.	.....	D18/56

4,437,104	3/1984	Hudson	.....	347/86
5,872,584	2/1999	Hauck et al.	.....	347/86
5,877,794	3/1999	Takagi	.....	347/87

Primary Examiner—Cathy Anne MacCormac  
Attorney, Agent, or Firm—Oliff & Berridge, PLC

### [57] CLAIM

The ornamental design for an ink cartridge, as shown and described.

### DESCRIPTION

FIG. 1 is a top plan view of an ink cartridge;  
 FIG. 2 is a front view of the ink cartridge of FIG. 1;  
 FIG. 3 is a left side view of the ink cartridge of FIG. 1;  
 FIG. 4 is a right side view of the ink cartridge of FIG. 1;  
 FIG. 5 is a bottom plan view of the ink cartridge of FIG. 1;  
 FIG. 6 is a rear view of the ink cartridge of FIG. 1;  
 FIG. 7 is a perspective view of the ink cartridge of FIG. 1;  
 FIG. 8 is a top plan view of a second embodiment of FIG. 1;  
 FIG. 9 is a front view of FIG. 8;  
 FIG. 10 is a left side view of FIG. 8;  
 FIG. 11 is a right side view of FIG. 8;  
 FIG. 12 is a bottom plan view of FIG. 8;  
 FIG. 13 is a rear view of FIG. 8; and,  
 FIG. 14 is a perspective view of FIG. 8.

1 Claim, 4 Drawing Sheets

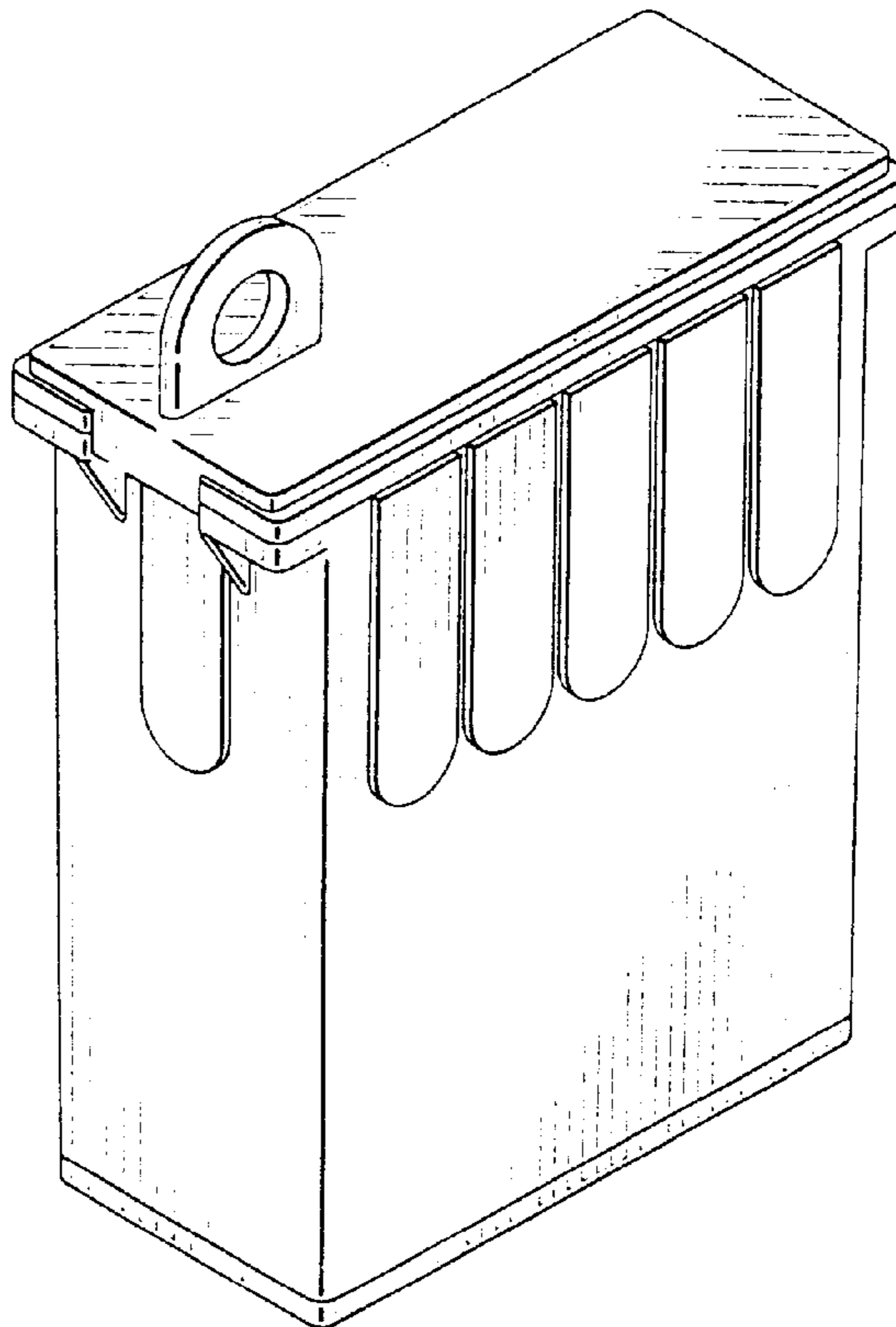
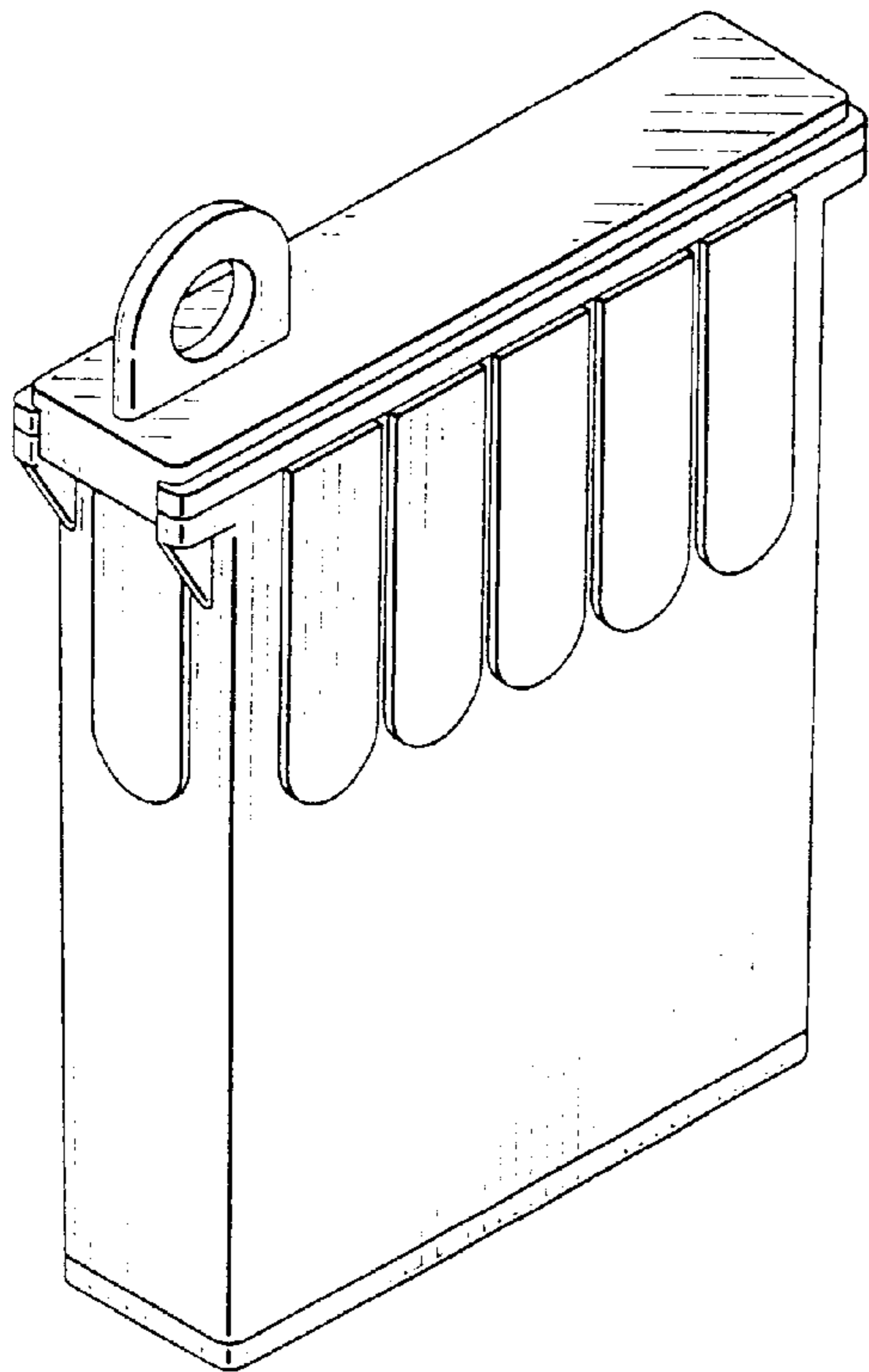


FIG. 1

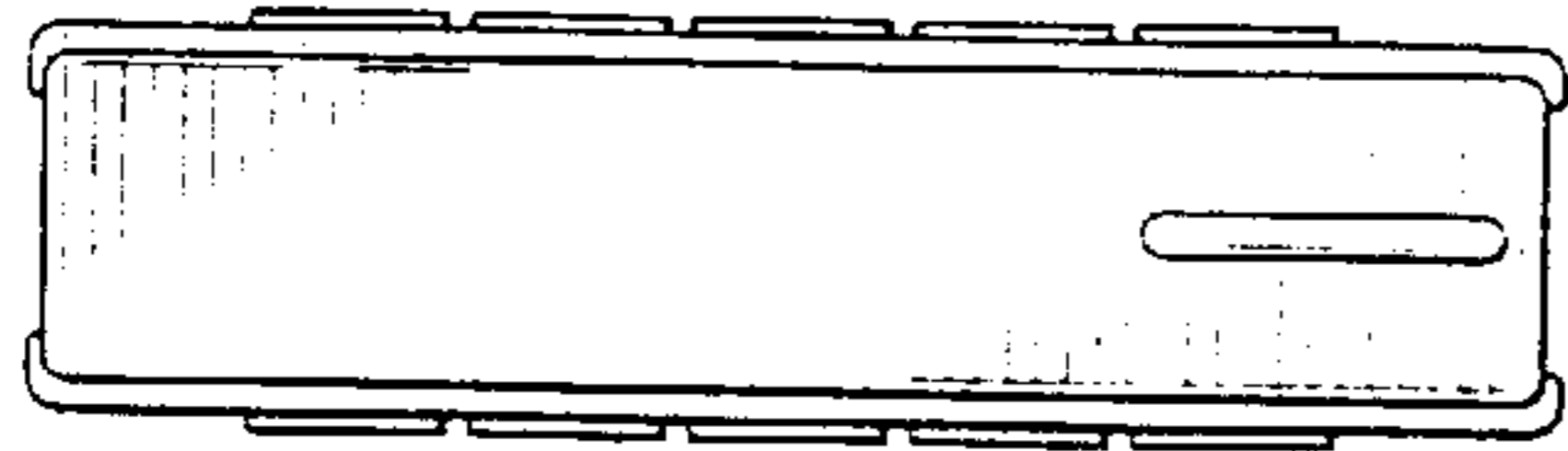


FIG. 3

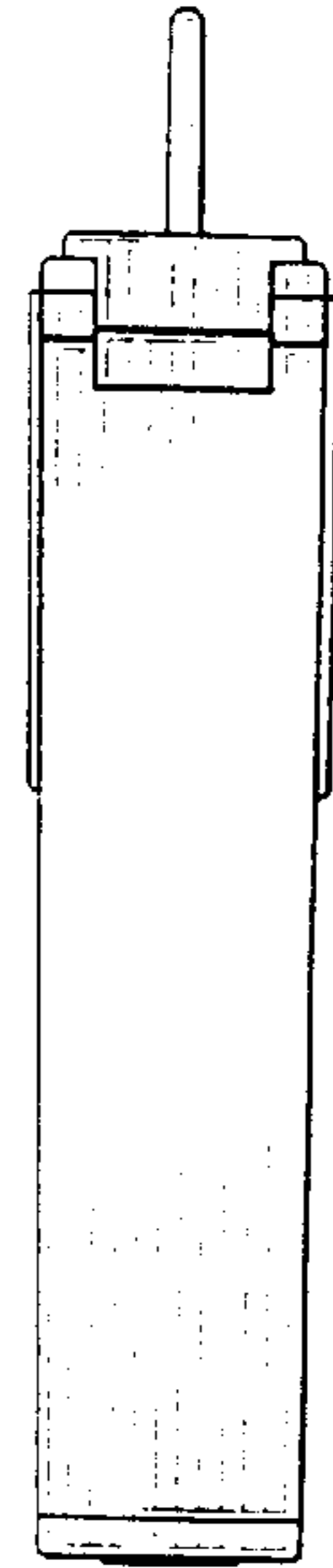


FIG. 2

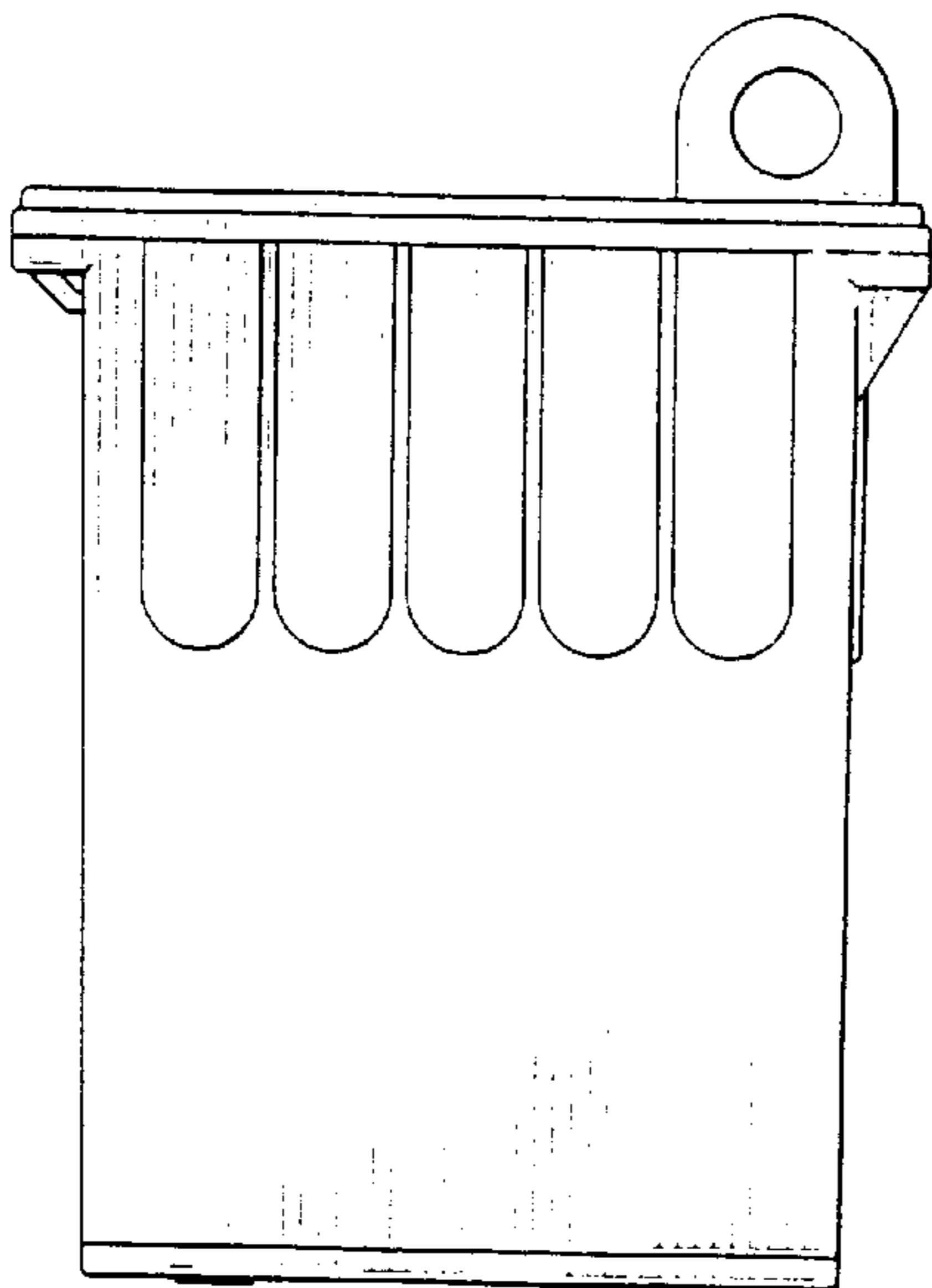
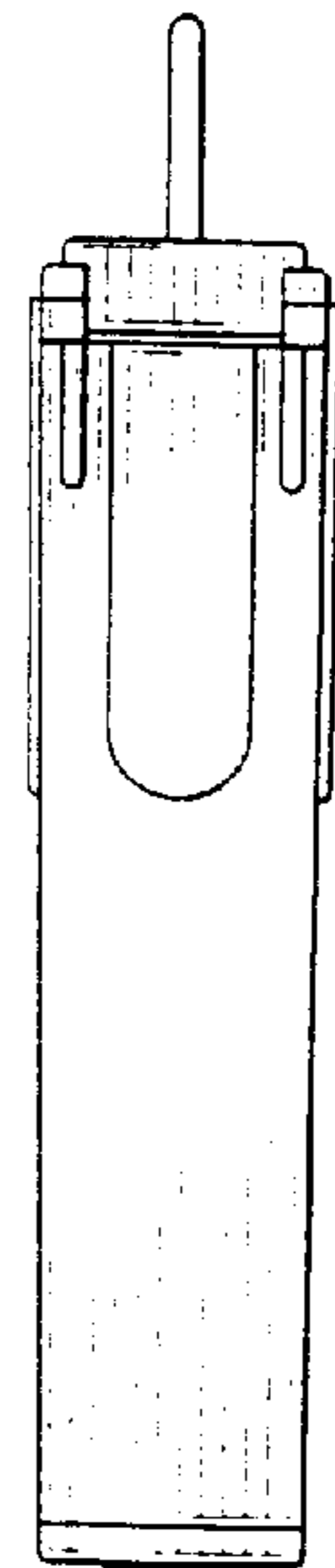
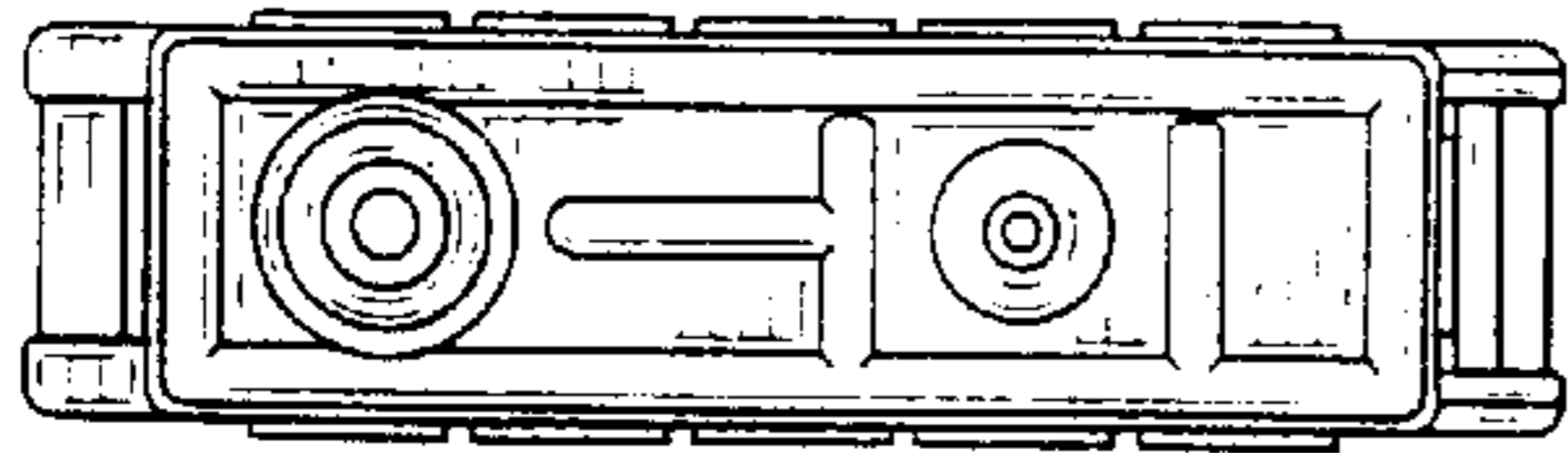


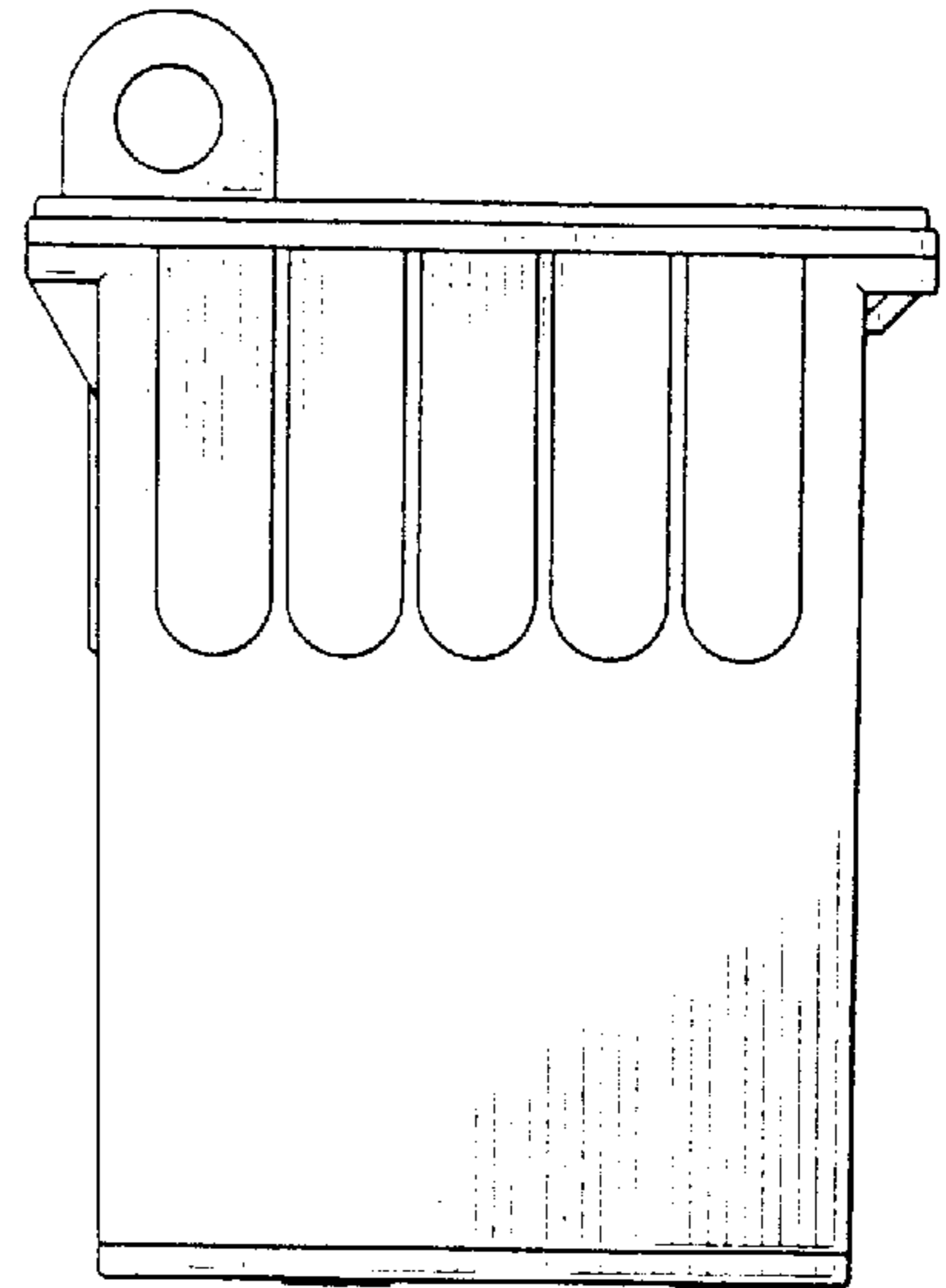
FIG. 4



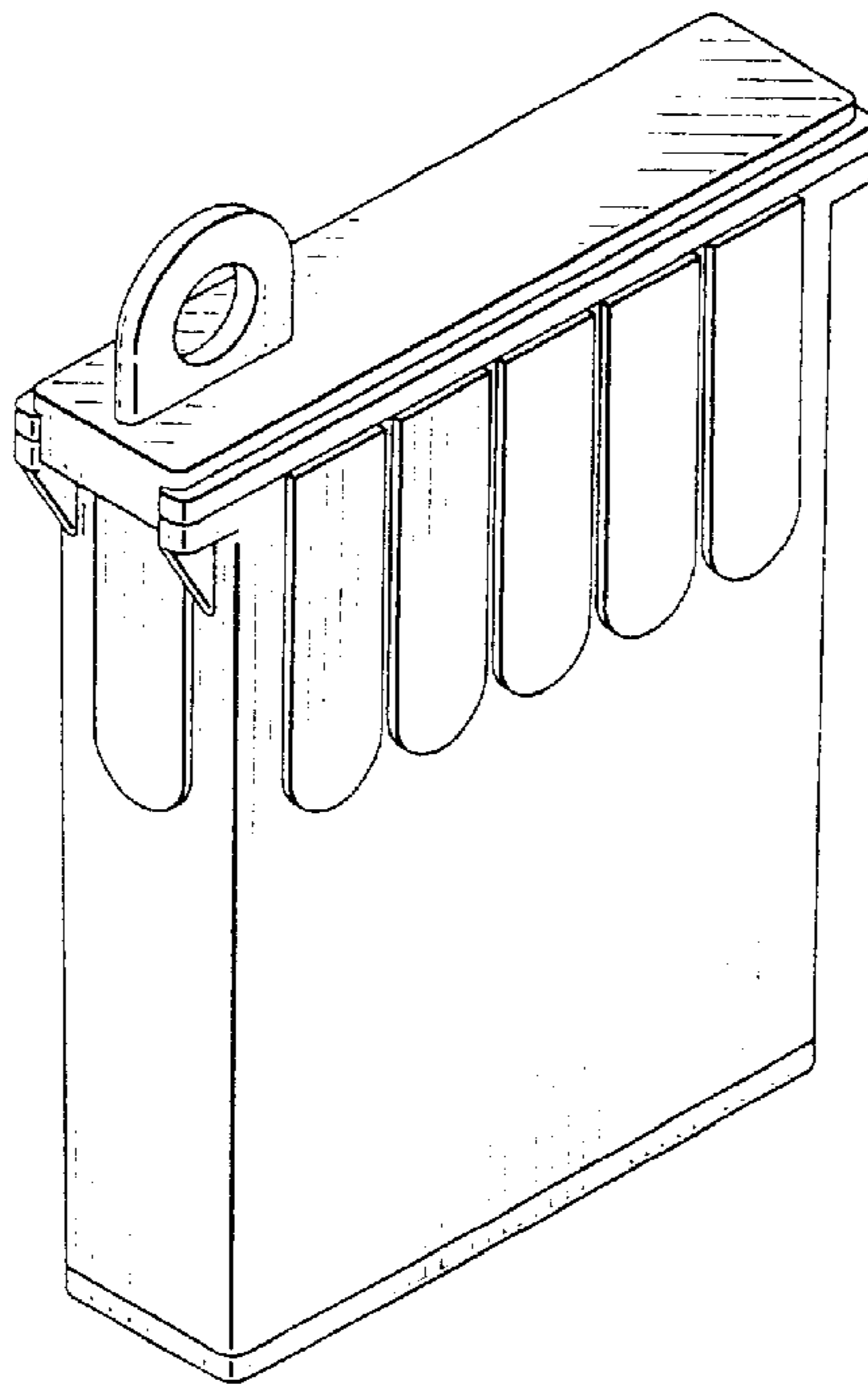
**FIG. 5**



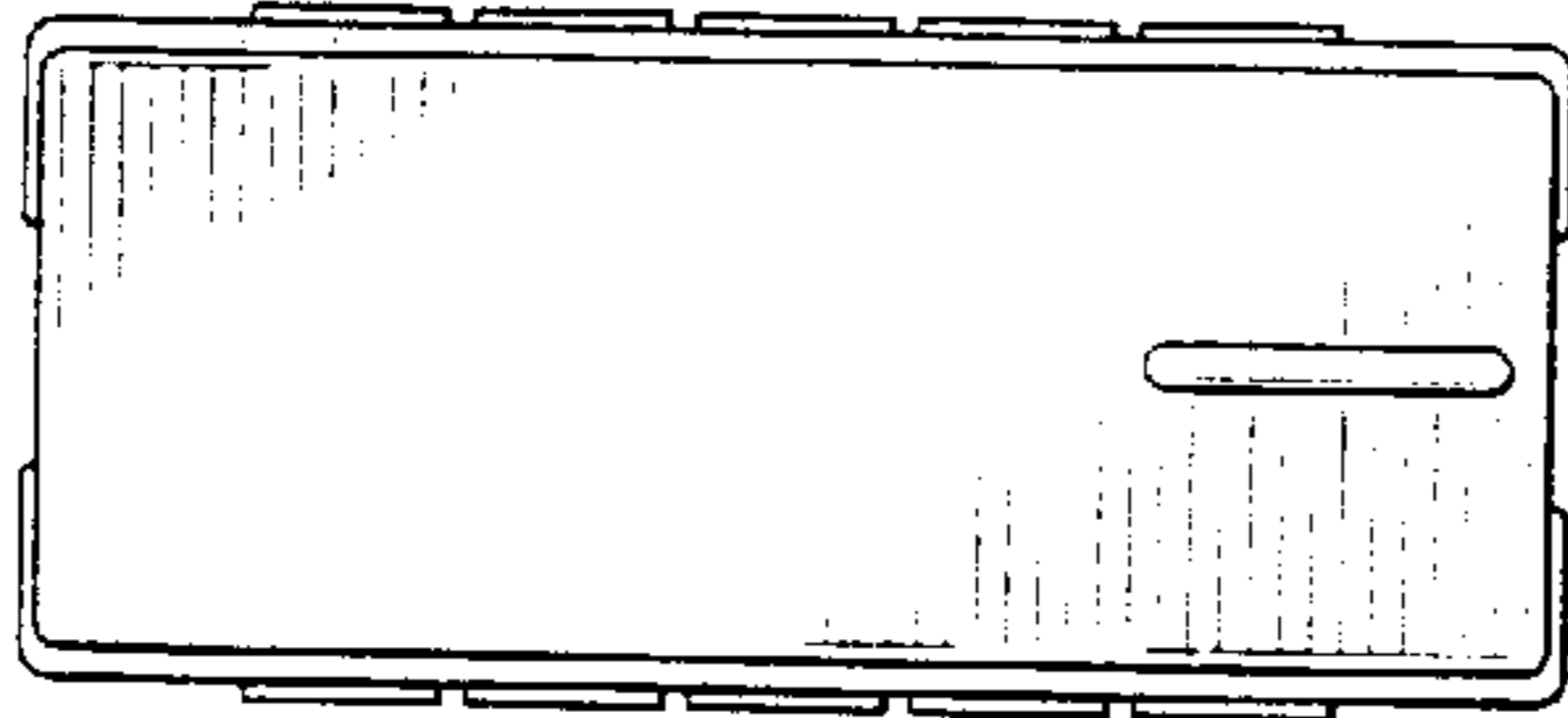
**FIG. 6**



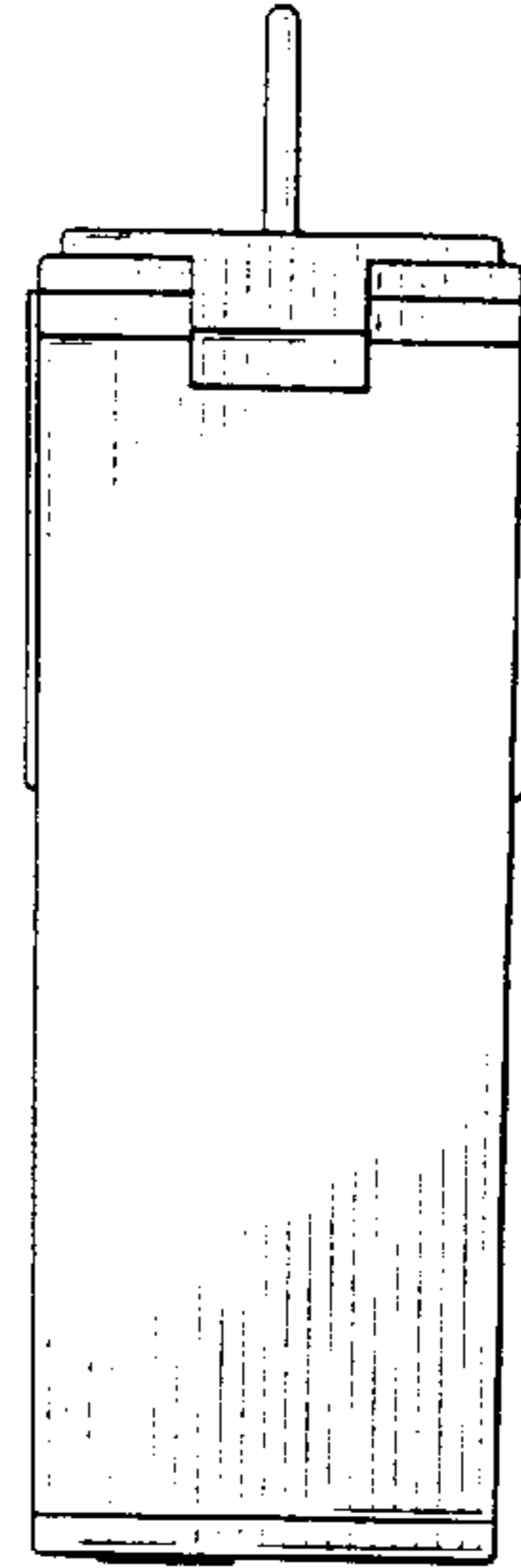
**FIG. 7**



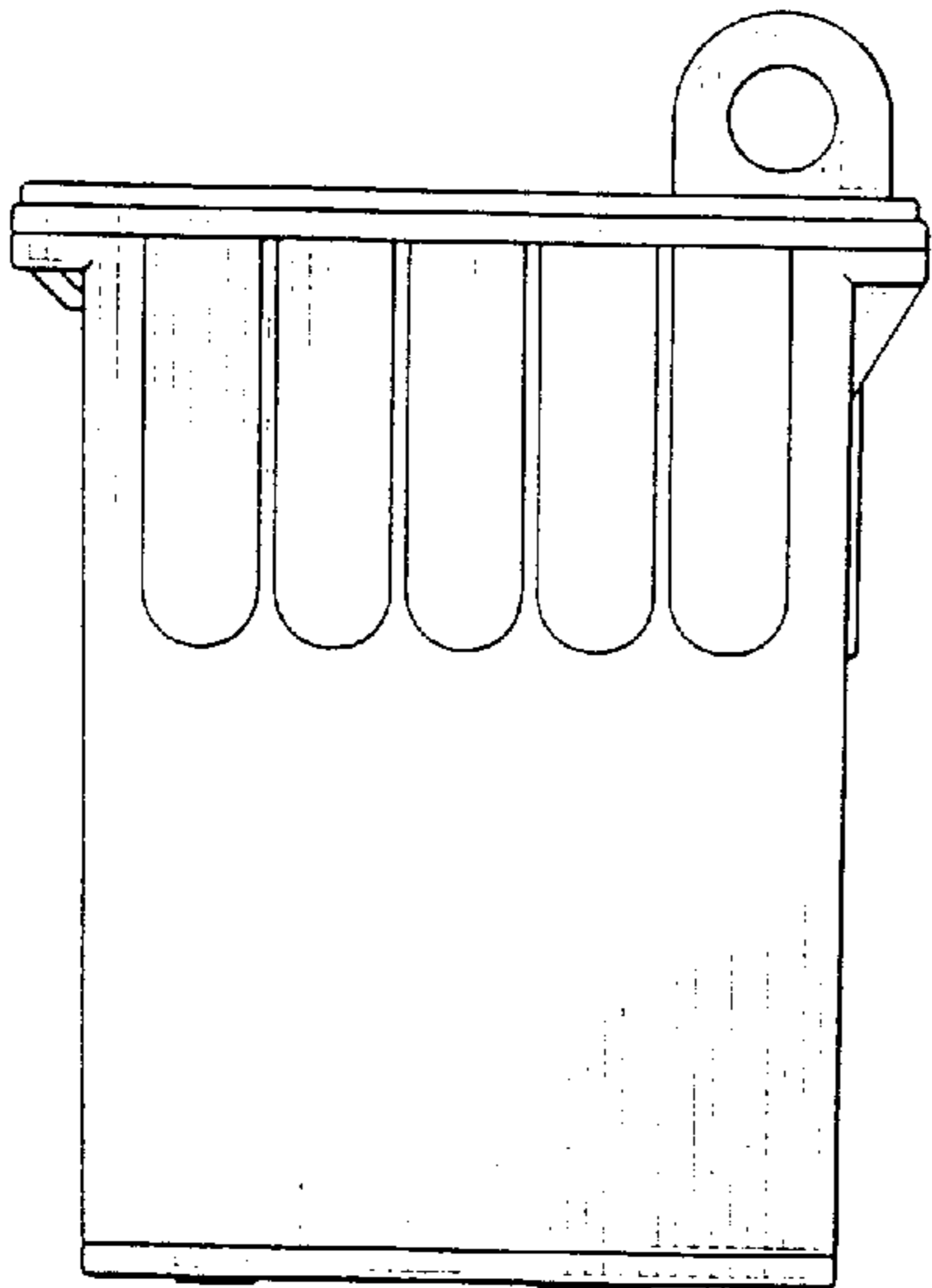
**FIG. 8**



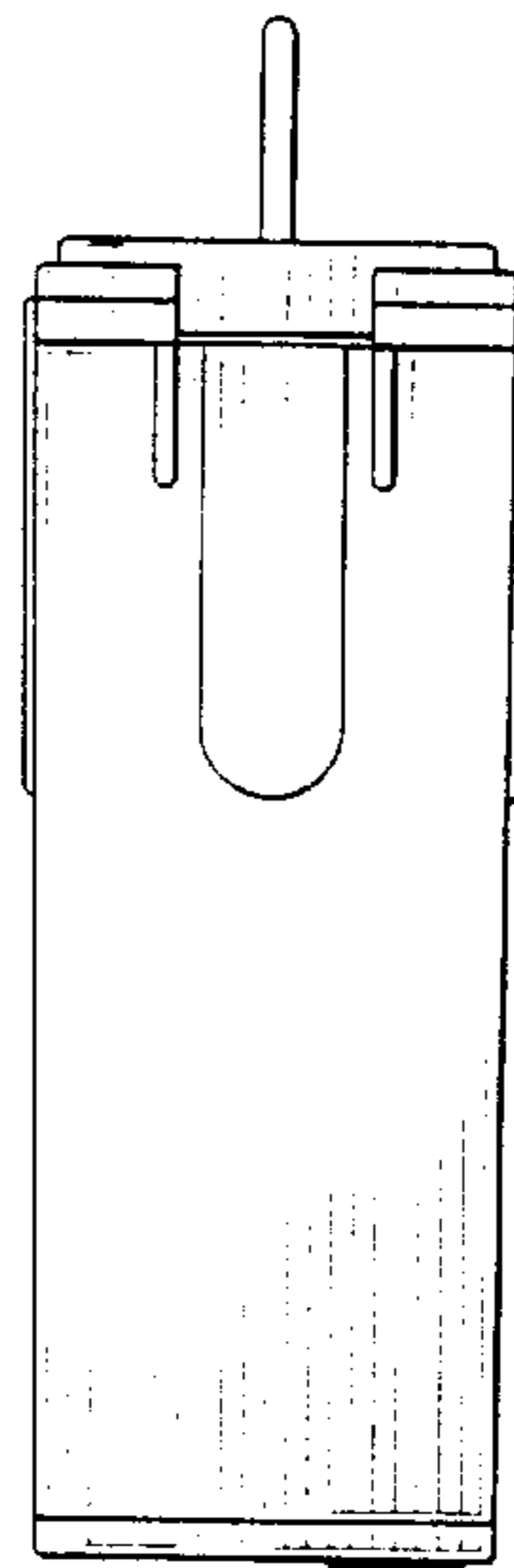
**FIG. 10**



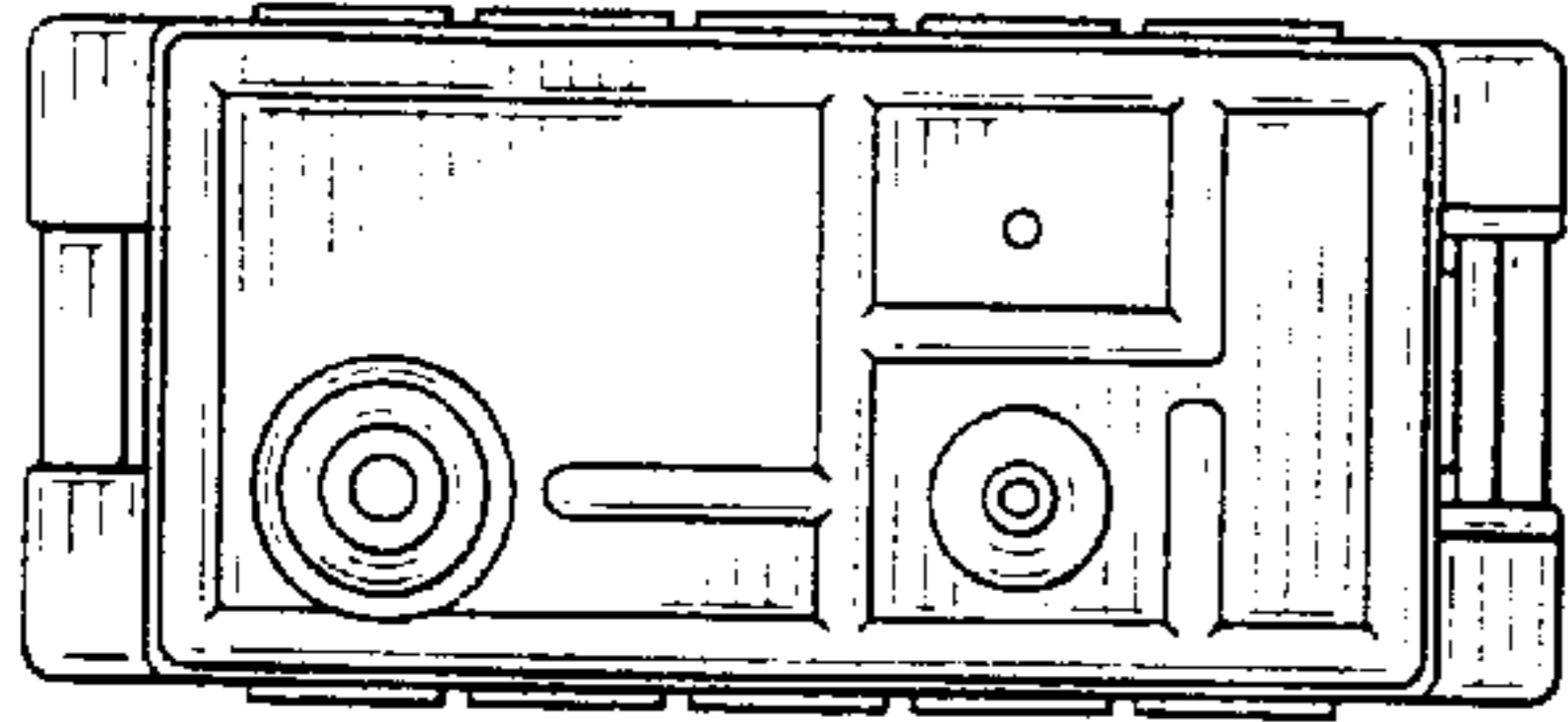
**FIG. 9**



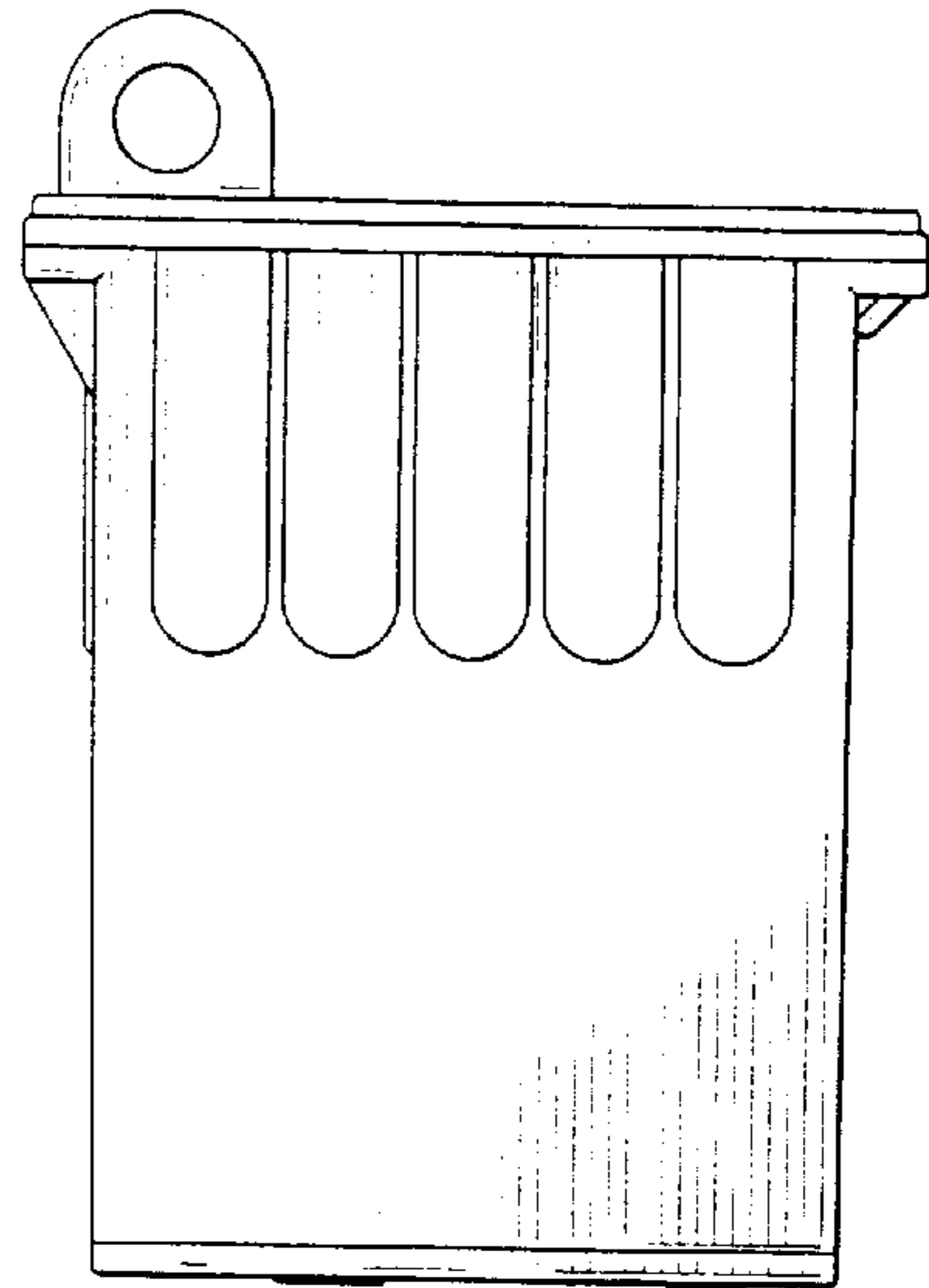
**FIG. 11**



**FIG. 12**



**FIG. 13**



**FIG. 14**

