



US00D421268S

# United States Patent [19] Watanabe

[11] Patent Number: **Des. 421,268**

[45] Date of Patent: **\*\* Feb. 29, 2000**

[54] **TWIN-LENS REFLEX CAMERA**  
[75] Inventor: **Akira Watanabe**, Saitama, Japan  
[73] Assignee: **Asahi Kogaku Kogyo Kabushiki Kaisha**, Tokyo, Japan  
[\*\*] Term: **14 Years**

D. 214,595 7/1969 Shipley ..... D16/210  
D. 257,850 1/1981 Matsumoto ..... D16/218  
D. 342,541 12/1993 McBride et al. .... D16/209  
D. 400,552 11/1998 Becker et al. .... D16/218  
2,309,403 1/1943 Kosken et al. .... 396/353

*Primary Examiner*—Adir Aronovich  
*Attorney, Agent, or Firm*—Sughrue, Mion, Zinn, Macpeak & Seas, PLLC

[21] Appl. No.: **29/102,675**  
[22] Filed: **Mar. 10, 1999**  
[30] **Foreign Application Priority Data**

Sep. 24, 1998 [JP] Japan ..... 10-27345

[51] **LOC (6) Cl.** ..... **16-01**  
[52] **U.S. Cl.** ..... **D16/216; D16/210; D16/218; 396/353**  
[58] **Field of Search** ..... D16/200–205, D16/207, 208, 209, 210, 211, 216, 217, 218; 396/353, 354, 535–543

[56] **References Cited**  
U.S. PATENT DOCUMENTS

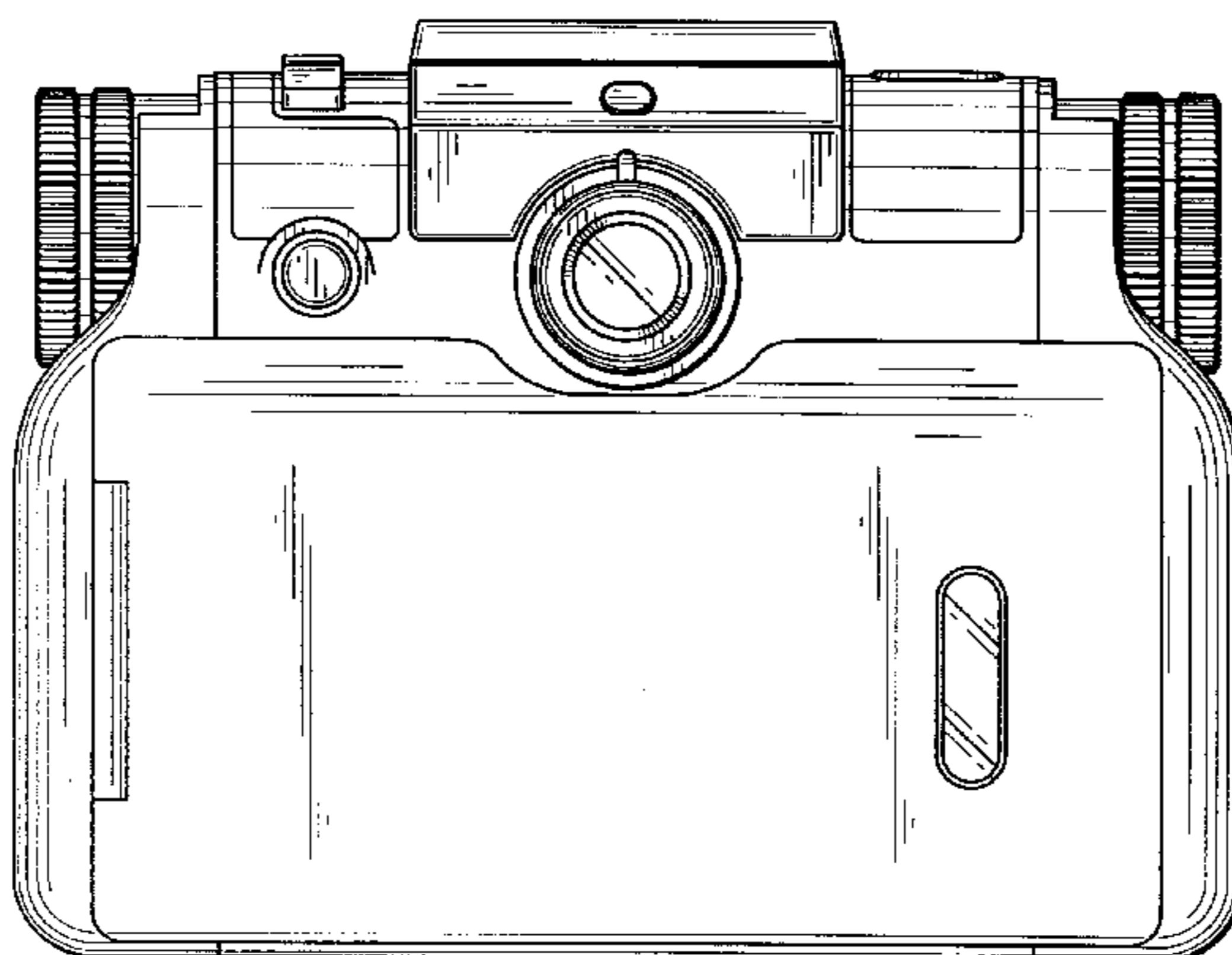
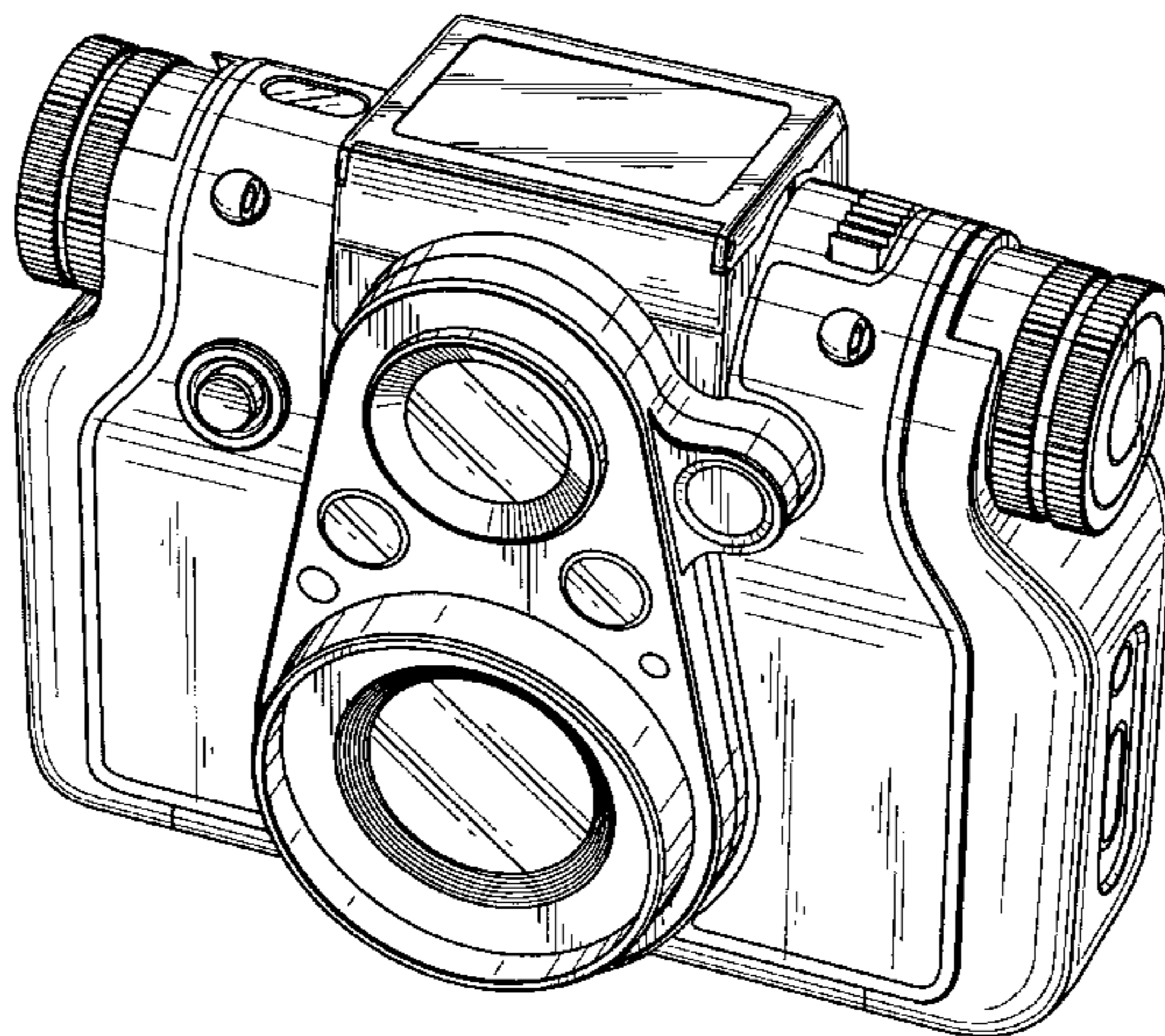
D. 120,735 5/1940 Kende ..... D16/210

[57] **CLAIM**  
The ornamental design for a twin-lens reflex camera, as shown and described.

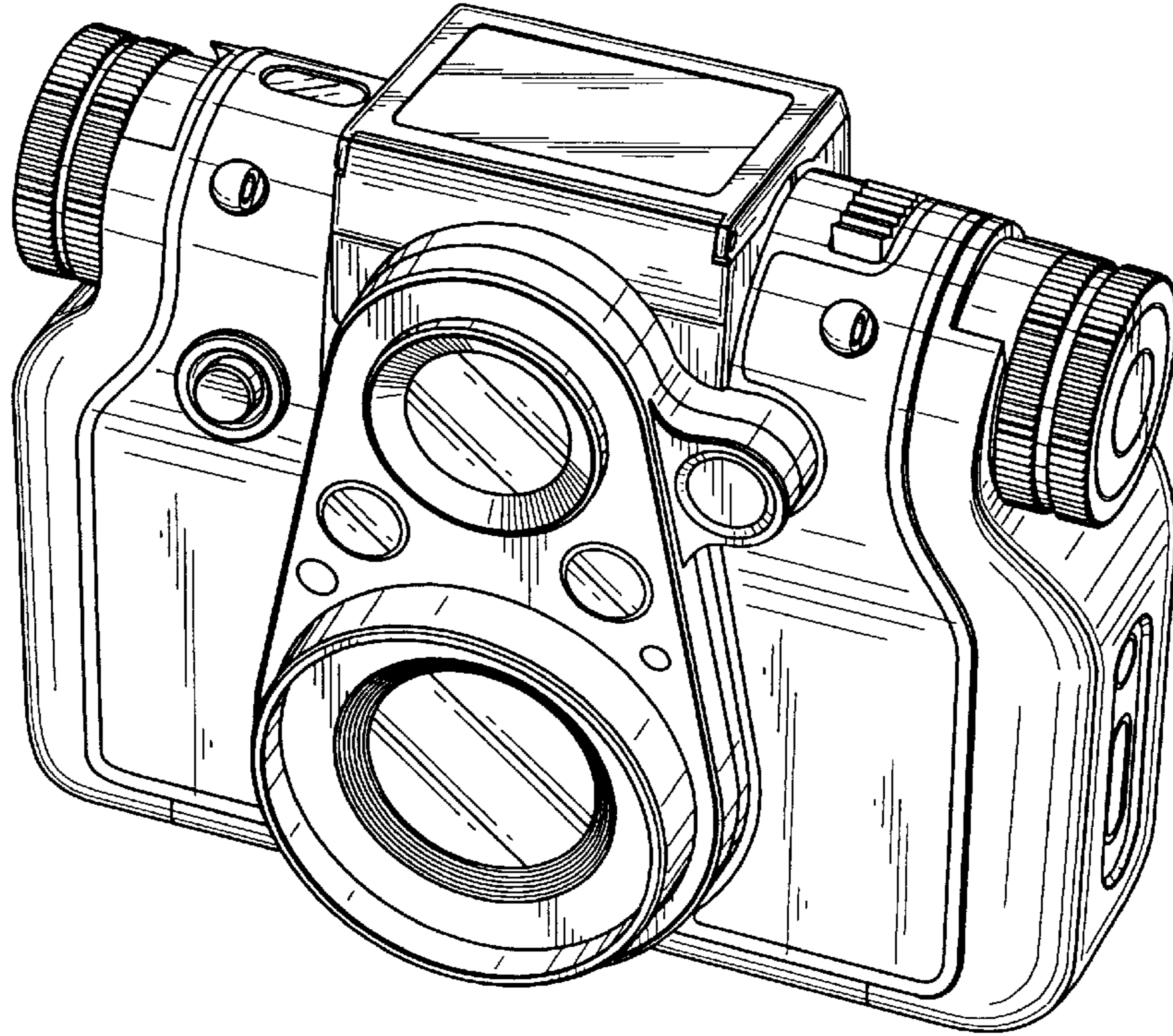
### DESCRIPTION

FIG. 1 is a perspective view of the top, front and right side of a twin-lens reflex camera showing my new design; FIG. 2 is a front elevational view thereof; FIG. 3 is a top plan view thereof; FIG. 4 is a left side elevational view thereof; FIG. 5 is a right side elevational view thereof; FIG. 6 is a rear elevational view thereof; FIG. 7 is a bottom plan view thereof; and, FIG. 8 is a perspective view similar to FIG. 1 with the view finder cover in the open position.

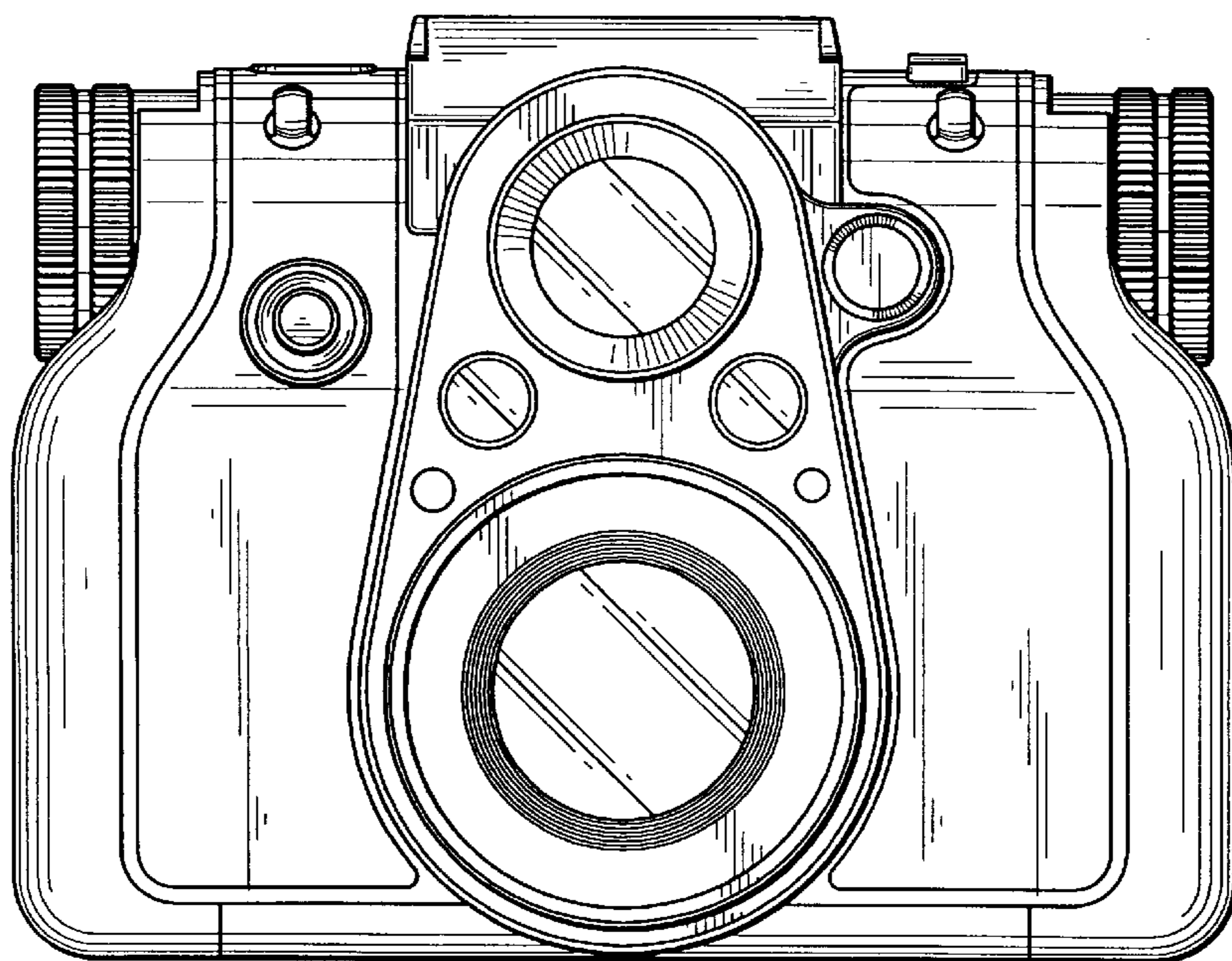
**1 Claim, 4 Drawing Sheets**



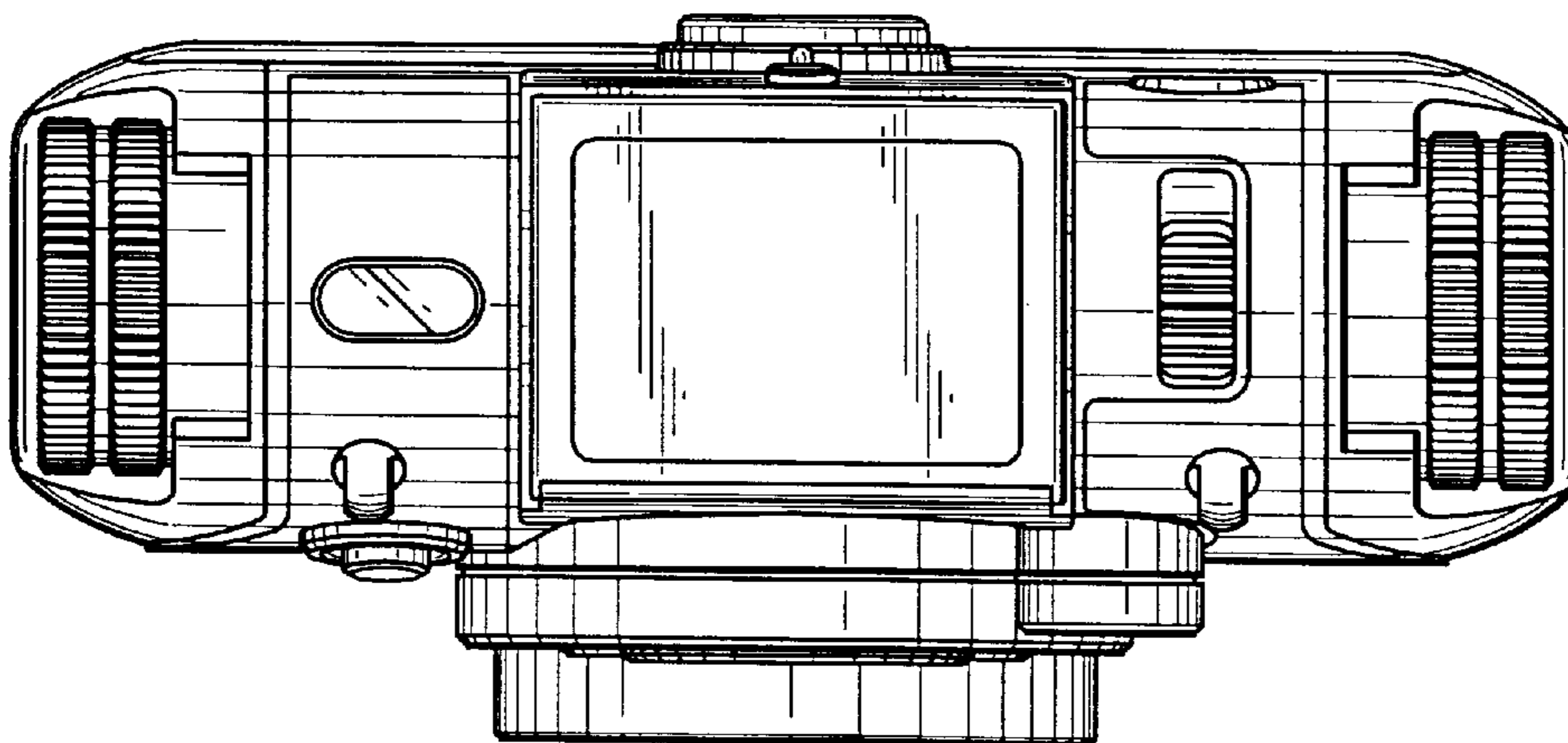
*FIG. 1*



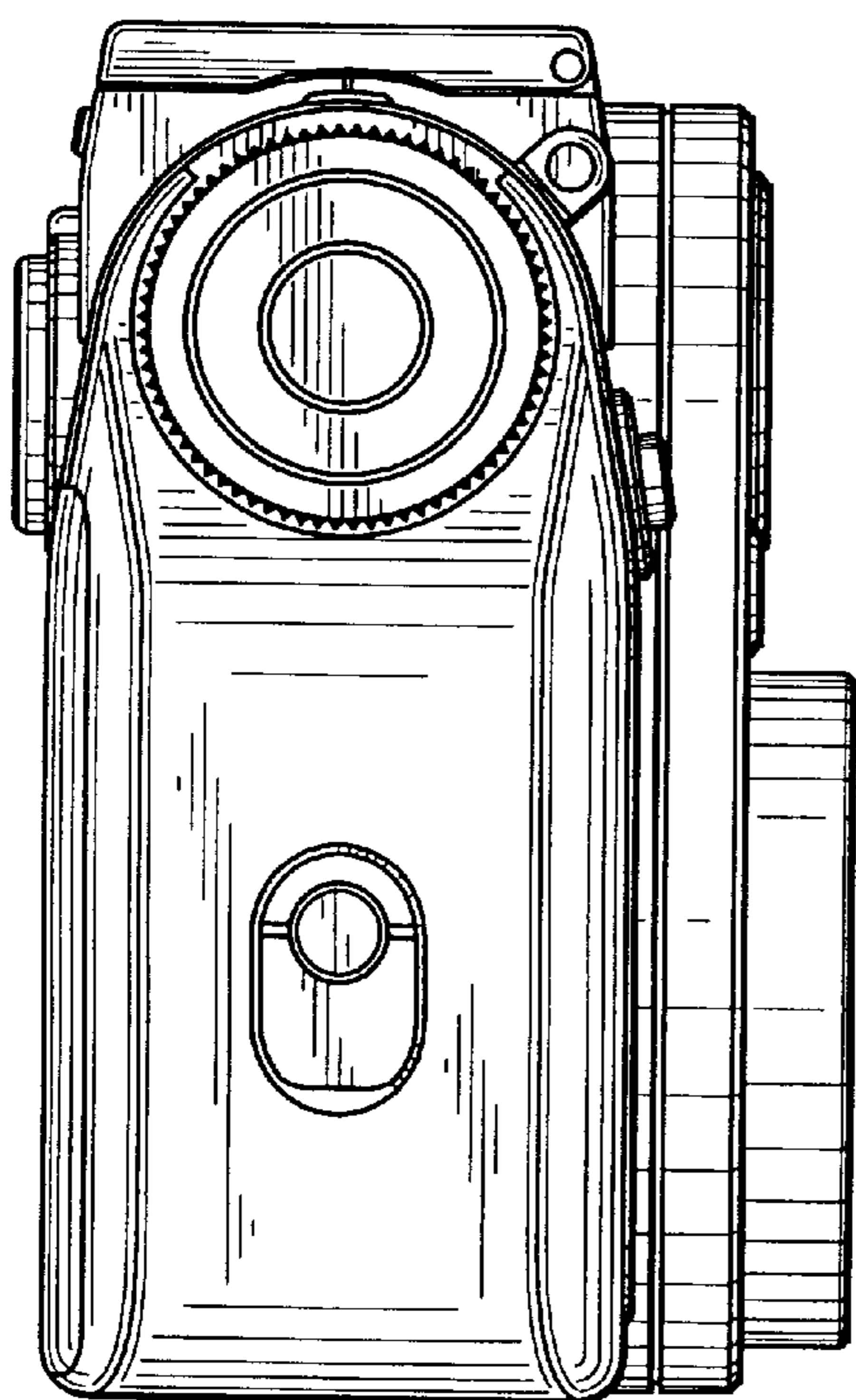
*FIG. 2*



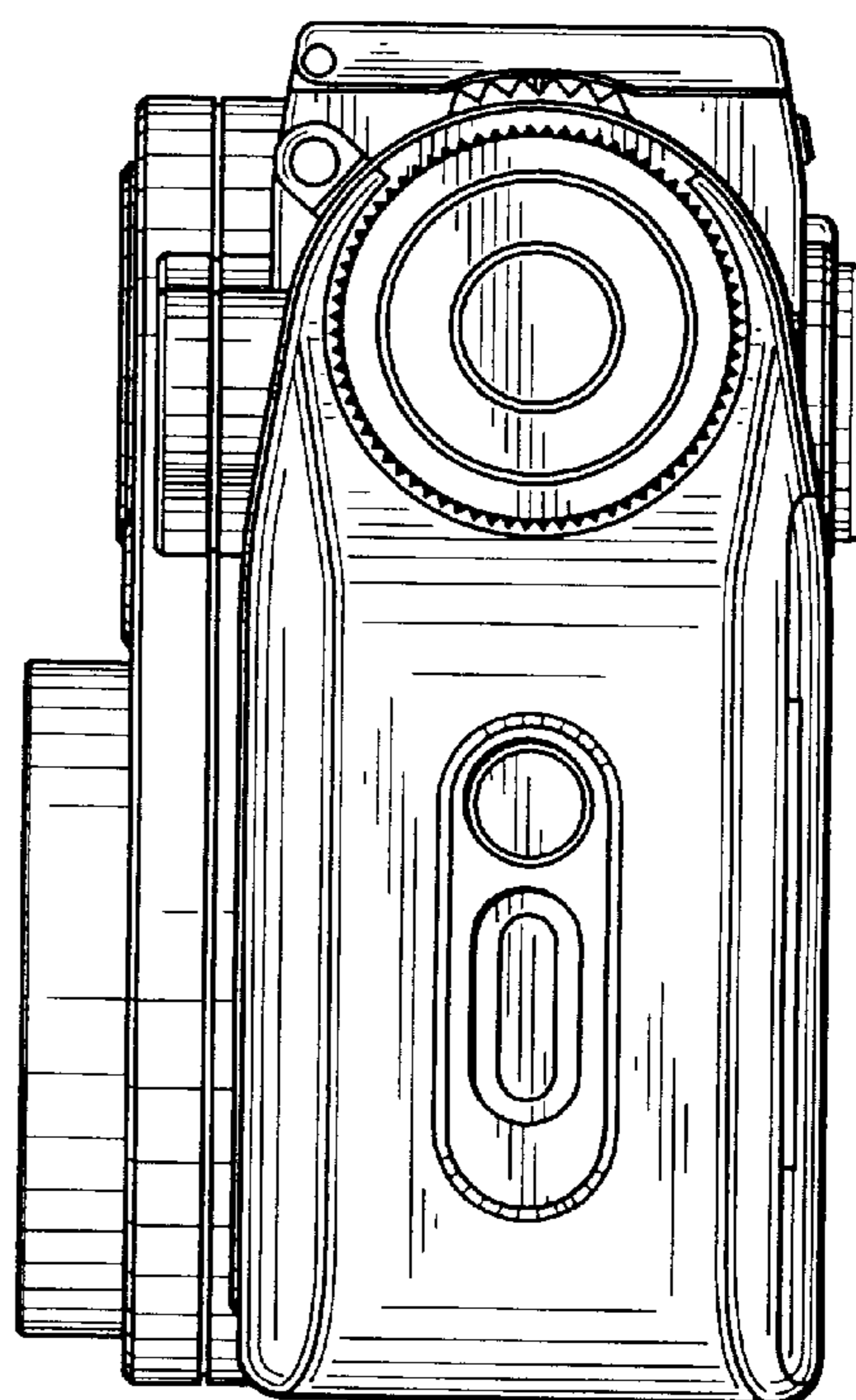
*FIG. 3*



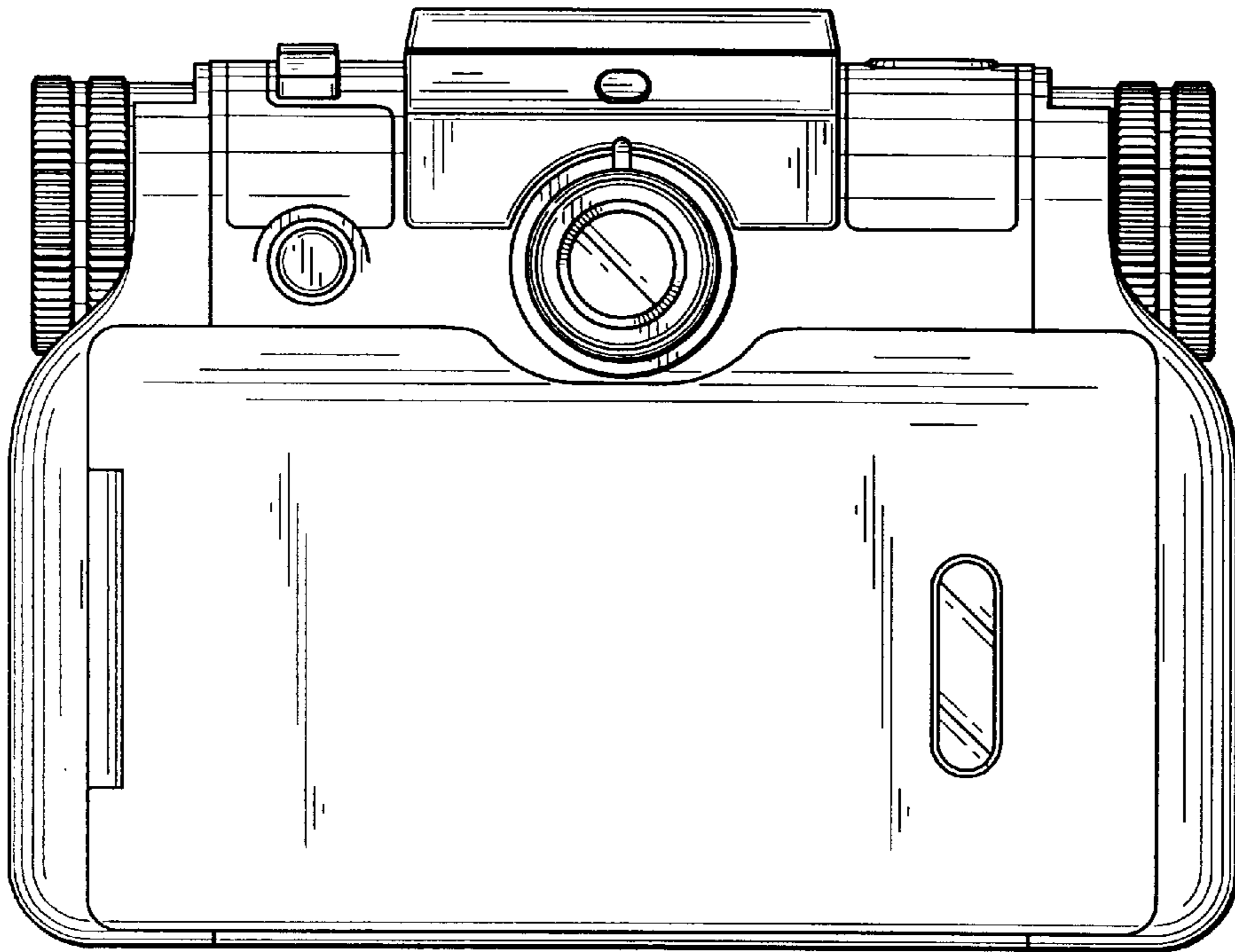
*FIG. 4*



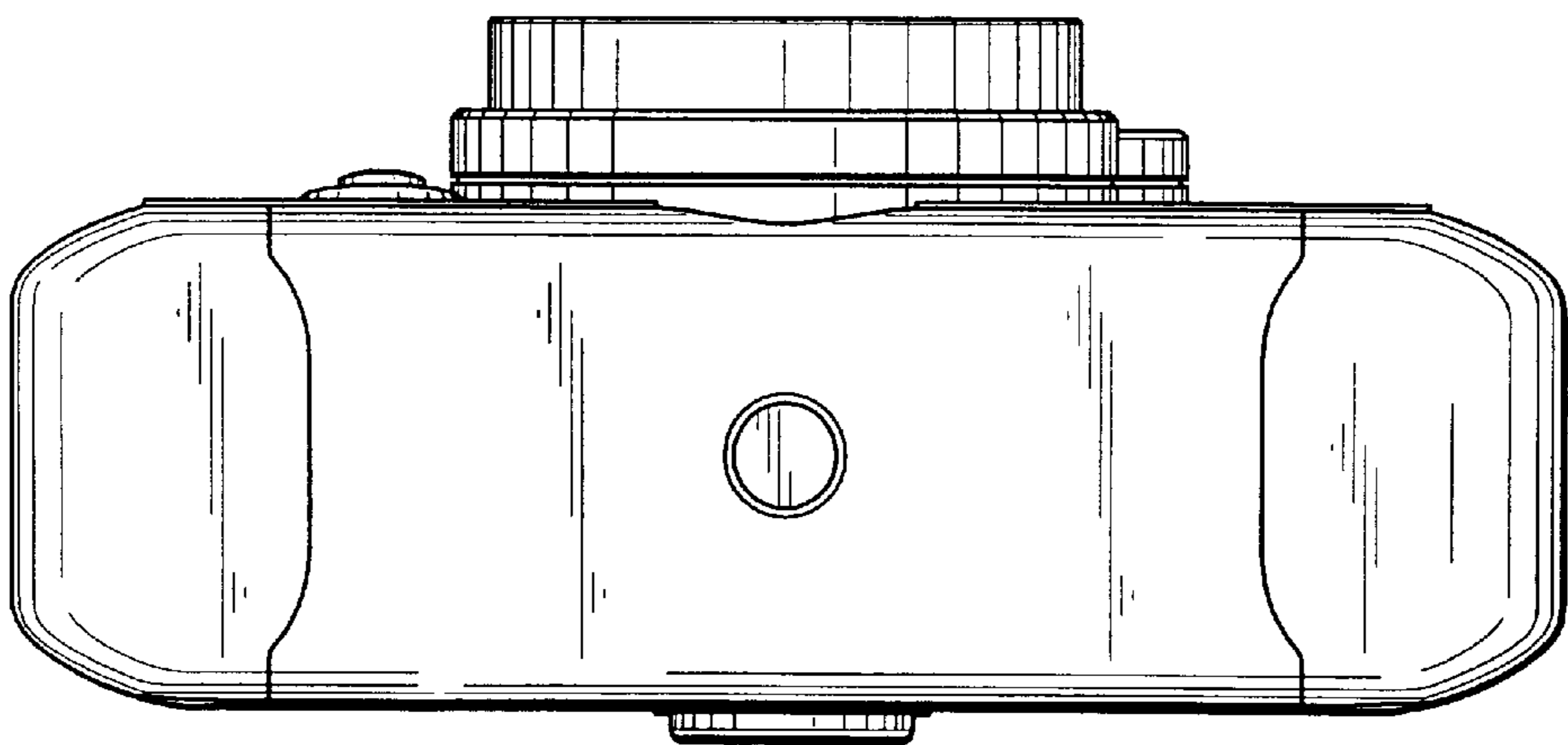
*FIG. 5*



*FIG. 6*



*FIG. 7*



*FIG. 8*

