



US00D421267S

# United States Patent [19]

[11] Patent Number: **Des. 421,267**

Price et al.

[45] Date of Patent: **\*\* Feb. 29, 2000**

[54] **SLIDING COMPOUND MITER SAW**

[56] **References Cited**

[75] Inventors: **Scott Price**, Singapore, Singapore;  
**John W. Miller**, Upperco, Md.; **Daryl S. Meredith**, Hampstead, Md.; **Thomas R. Kaye, Jr.**, Bel Air, Md.; **William R. Stumpf**, Kingsville, Md.; **Mark E. Brunson**, Abingdon, Md.; **Robert P. Welsh**, Hunt Valley, Md.

### U.S. PATENT DOCUMENTS

D. 391,973	3/1998	Price et al. ....	D15/133
5,437,215	8/1995	Saski et al. ....	83/471.3
5,524,516	6/1996	Saski et al. ....	83/471.3
5,564,323	10/1996	Saski et al. ....	83/471.3

*Primary Examiner*—Antoine Duval Davis  
*Attorney, Agent, or Firm*—Harness, Dickey & Pierce, P.L.C.

[73] Assignee: **Black & Decker Inc.**, Newark, Del.

[57] **CLAIM**

[\*\*] Term: **14 Years**

The ornamental design for a sliding compound miter saw, as shown and described.

[21] Appl. No.: **29/094,691**

### DESCRIPTION

[22] Filed: **Oct. 6, 1998**

FIG. 1 is a perspective view of the design for a sliding compound miter saw according to the present invention; FIG. 2 is a front elevational thereof; FIG. 3 is a right side elevational view thereof; FIG. 4 is a left side elevational view thereof; FIG. 5 is a rear elevational view thereof; FIG. 6 is a top plan view thereof; and, FIG. 7 is a bottom plan view thereof.

### Related U.S. Application Data

[63] Continuation-in-part of application No. 29/076,560, Sep. 10, 1997, Pat. No. Des. 400,215, which is a continuation-in-part of application No. 29/063,037, Dec. 2, 1996, Pat. No. Des. 391,973, which is a continuation-in-part of application No. 29/055,881, Jun. 14, 1996.

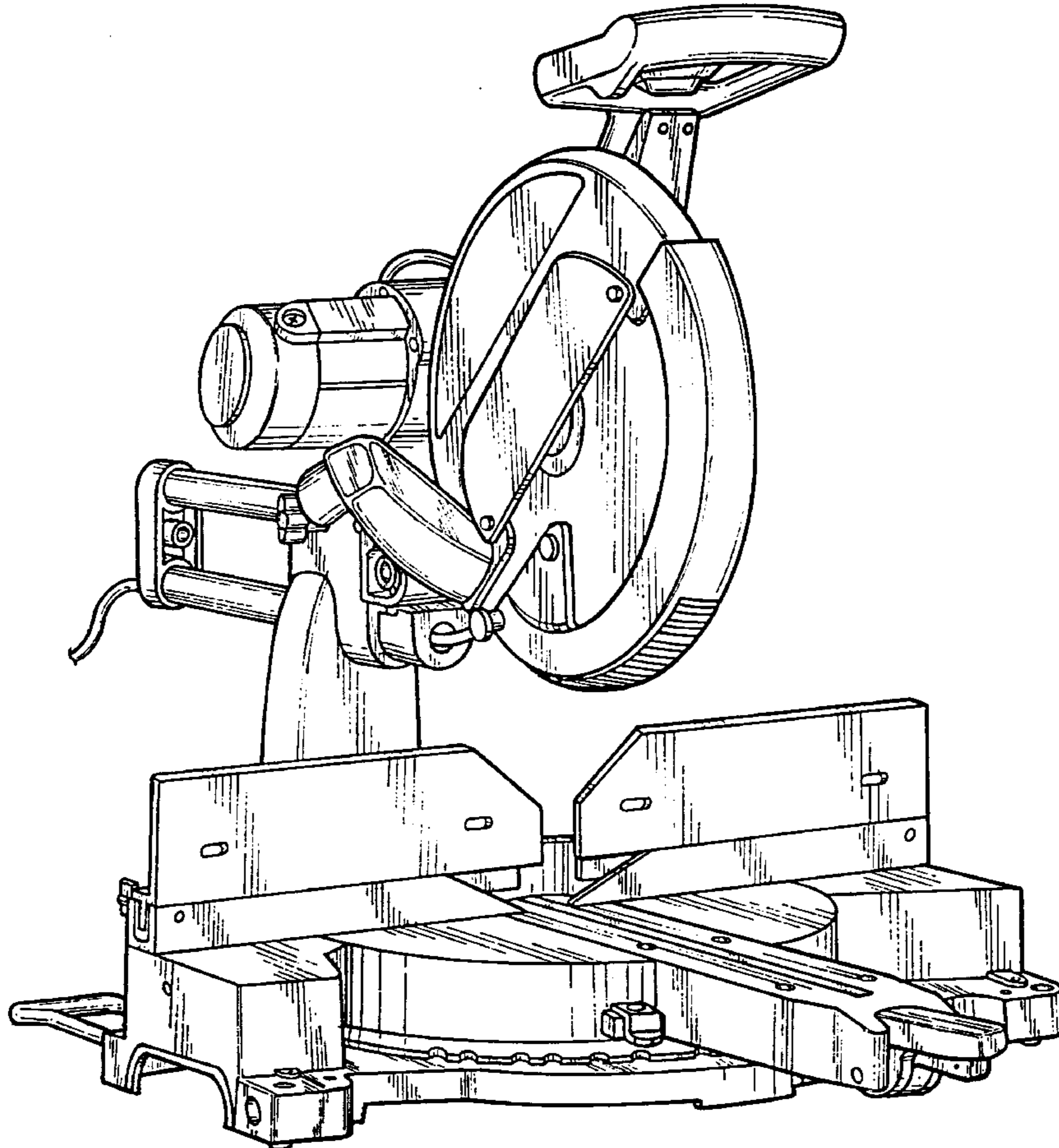
The broken line showing of the sliding compound miter saw is for illustrative purposes only and forms no part of the claimed design.

[51] **LOC (6) Cl.** ..... **15-09**

[52] **U.S. Cl.** ..... **D15/133**

[58] **Field of Search** ..... D15/133; 83/397,  
83/471.1, 471.2, 471.3, 477, 581

**1 Claim, 7 Drawing Sheets**



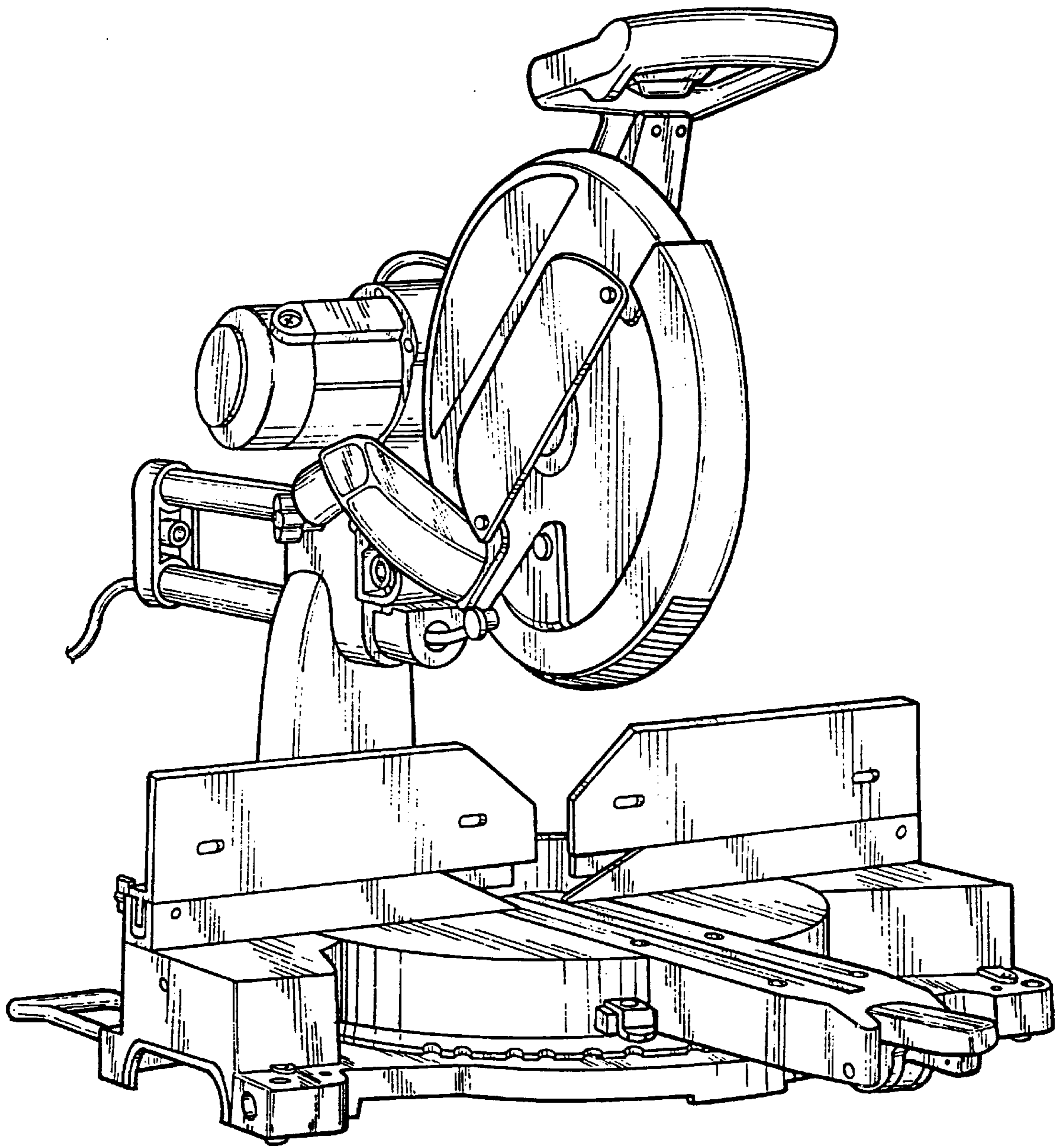


Fig - 1

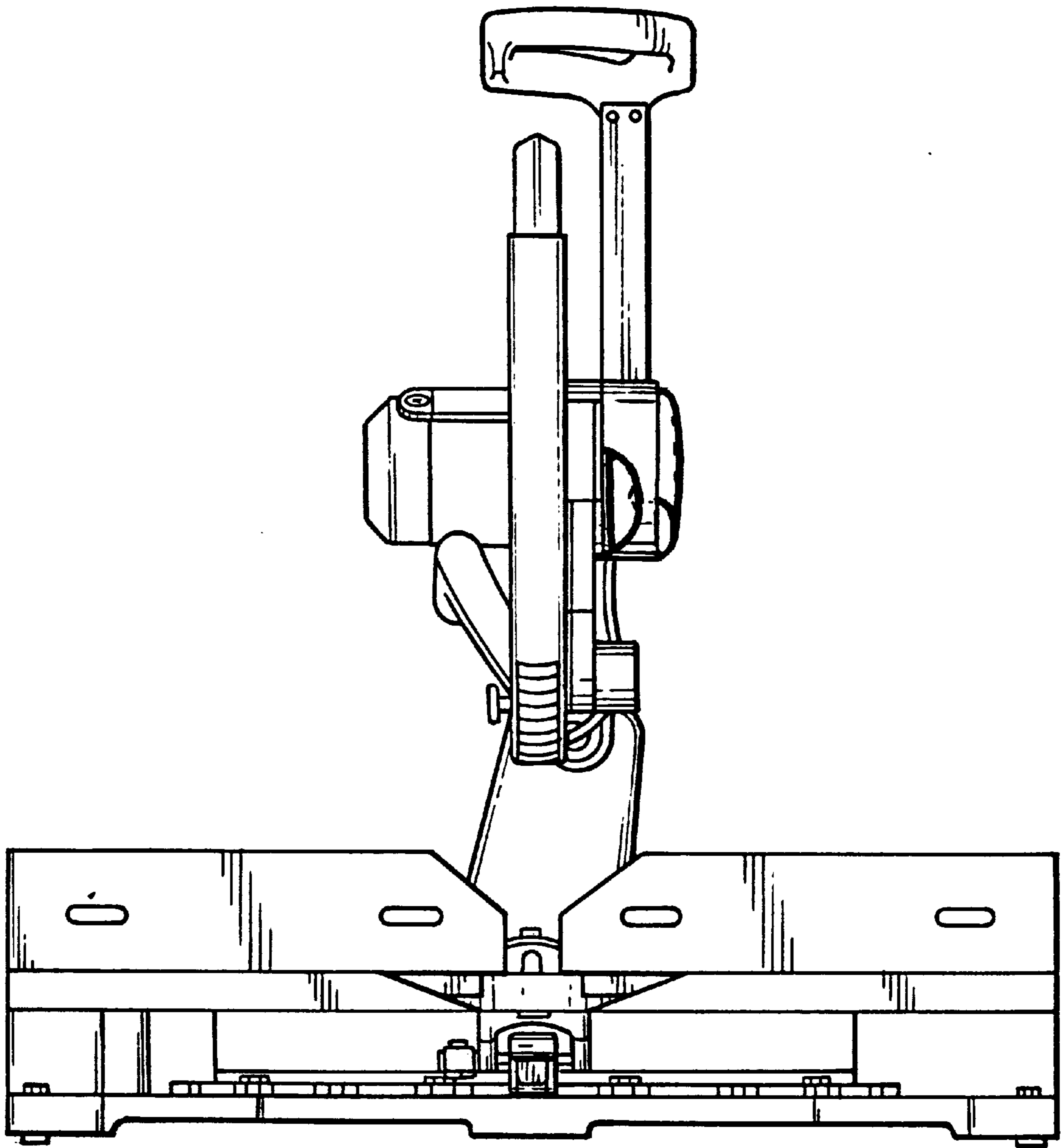


Fig - 2

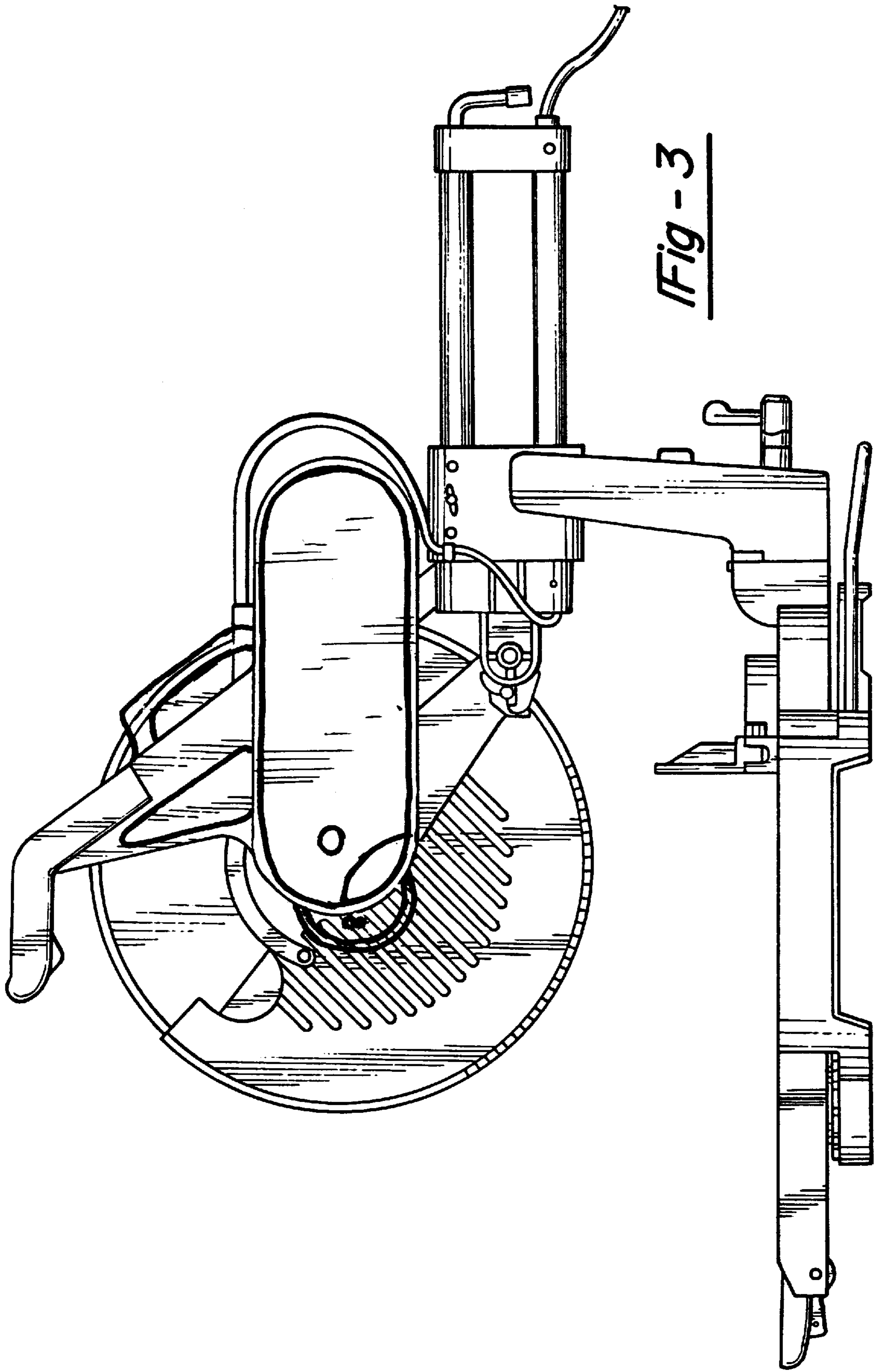


Fig - 3

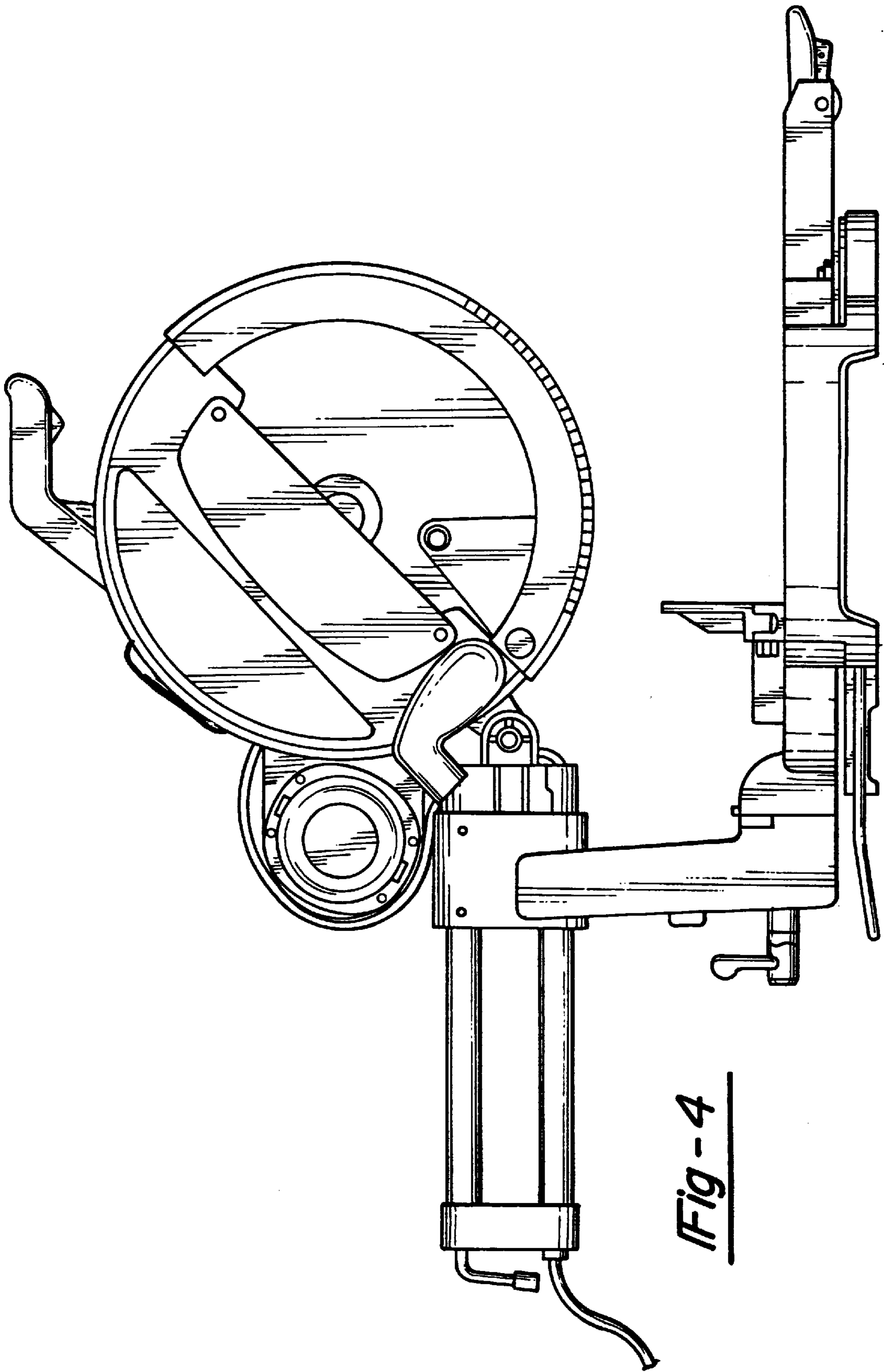


Fig - 4

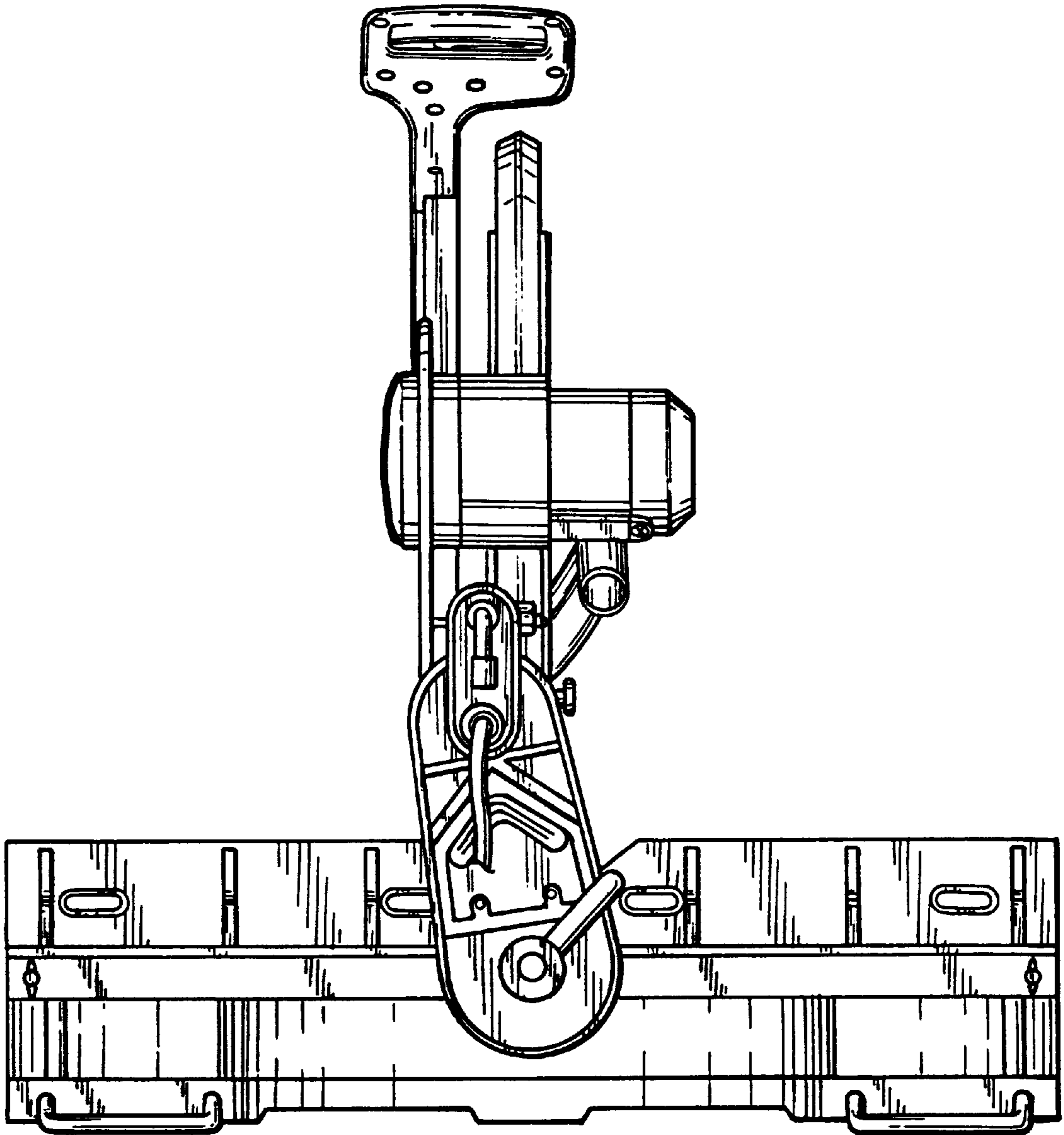


Fig - 5

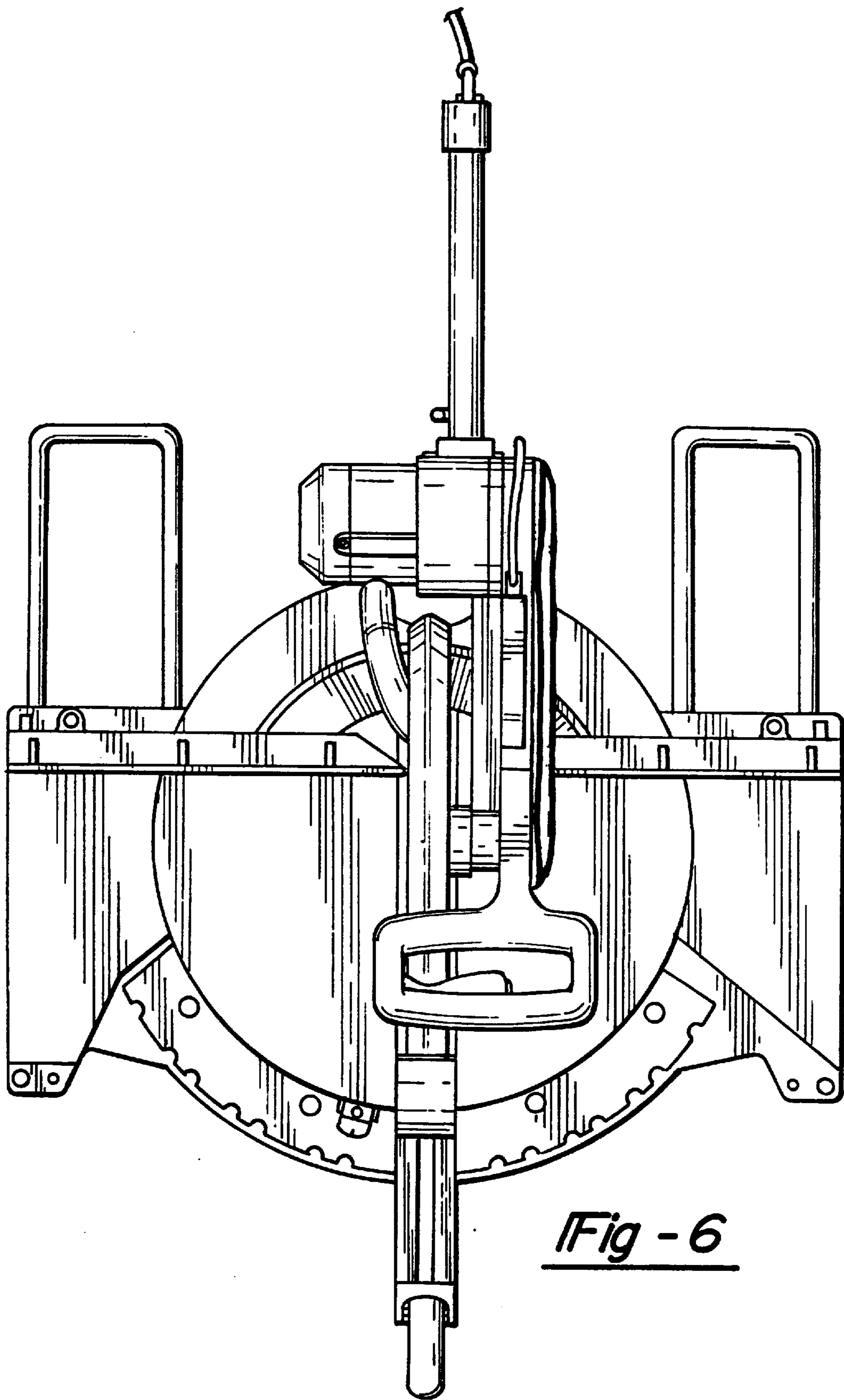


Fig - 6

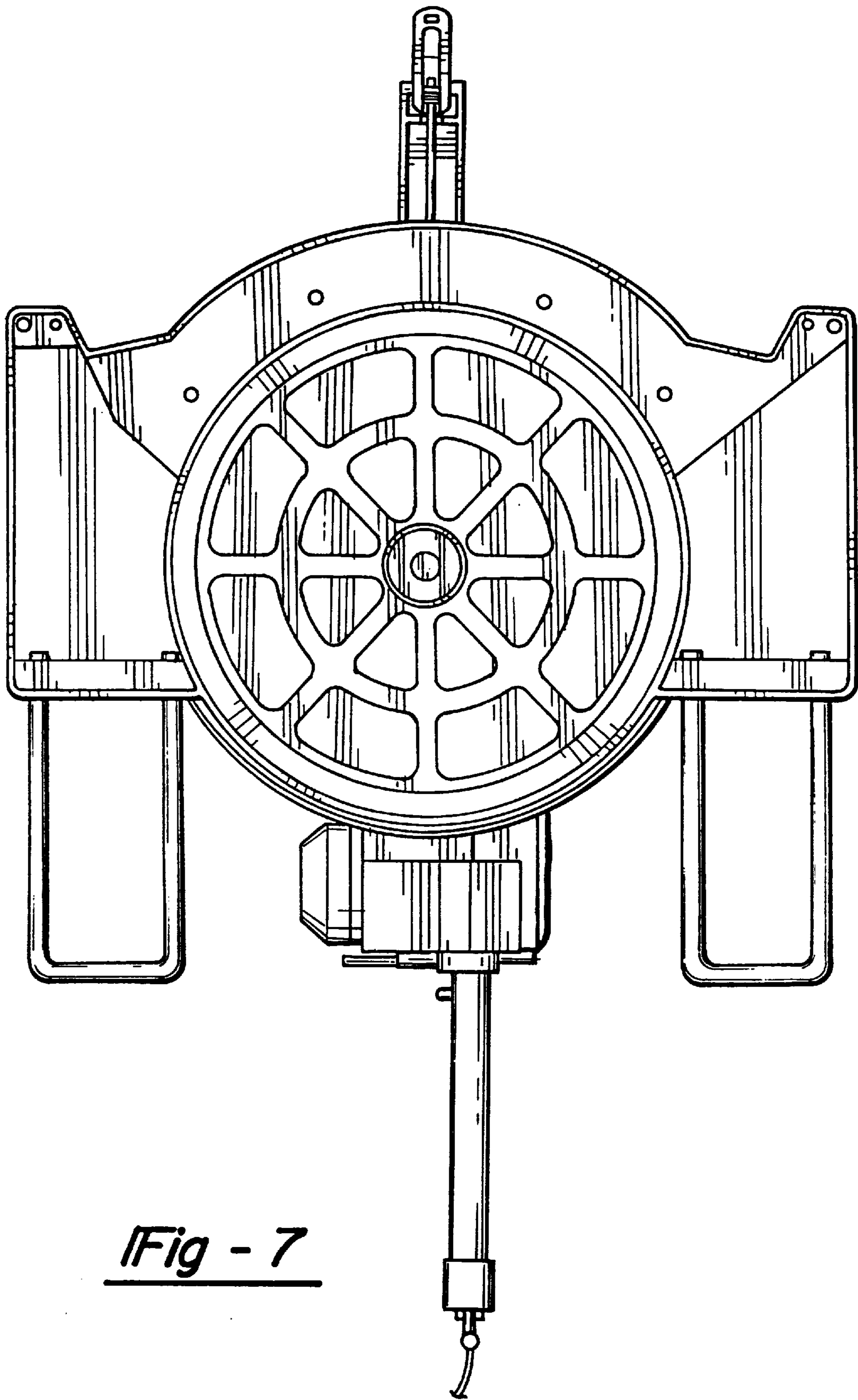


Fig - 7



UNITED STATES PATENT AND TRADEMARK OFFICE  
**CERTIFICATE OF CORRECTION**

PATENT NO. : Des. 421,267  
DATED : February 29, 2000  
INVENTOR(S) : Scott Price et al.

It is certified that error appears in the above-identified patent and that said Letters Patent is hereby corrected as shown below:

On the Title Page, after "Inventors:", line 1,  
after "Scott Price", delete "Singapore" (first occurrence).

On the Title Page, under "Related U.S. Application Data", line 1,  
"Continuation-in-part" should be --Continuation--.

On the Title Page, under "References Cited", "U.S. Patent Documents", line 2,  
"5,437,215" should be --5,437,214--.

On the Title Page, under "Description", line 3,  
after "elevational", insert --view--.

Signed and Sealed this

Twenty-fourth Day of April, 2001

*Attest:*



NICHOLAS P. GODICI

*Attesting Officer*

*Acting Director of the United States Patent and Trademark Office*