



US00D421266S

# United States Patent [19] Hinklin

[11] Patent Number: Des. 421,266

[45] Date of Patent: \*\* Feb. 29, 2000

[54] **LAWN AND GARDEN TRACTOR**

5,209,314 5/1993 Nishiyama ..... 180/68.6  
5,367,864 11/1994 Ogasawara et al. .... 56/15.8

[75] Inventor: **Darrell W. Hinklin**, Excelsior, Minn.

### OTHER PUBLICATIONS

[73] Assignee: **The Toro Company**, Bloomington, Minn.

Sears Lawn & Garden 1992 Catalog.  
Toro Yard/Lawn Tractor Rear-Engine Rider Catalog Copyright 1992.  
Honda Lawn Tractor Catalog Copyright 1990.  
Echo Motorgerate brochure, Mar. 1993.  
Bolens Suburban Tractor Copyright 1992.  
White Outdoor Products Lawn and Garden Tractor Catalog, Aug. 1992.  
Mastercut The Cutting Edge 1992 Catalog.  
Husqvarna Jan. 1992 Tractors, Mowers, Blowers, Trimmers & Tillers Catalog.

[\*\*] Term: **14 Years**

[21] Appl. No.: **29/084,796**

[22] Filed: **Mar. 9, 1998**

[51] **LOC (6) Cl.** ..... **15-03**

[52] **U.S. Cl.** ..... **D15/15; D15/23**

[58] **Field of Search** ..... D15/10, 14-17,  
D15/22-26; 56/13.3, 13.4, 15.8, 15.9, 16.1,  
16.7, 17.4, 202, 255, 294, 320.1, 320.2;  
180/900

*Primary Examiner*—Sandra L. Morris  
*Attorney, Agent, or Firm*—Donald S. Trevarthen

### [56] **References Cited**

### [57] **CLAIM**

#### U.S. PATENT DOCUMENTS

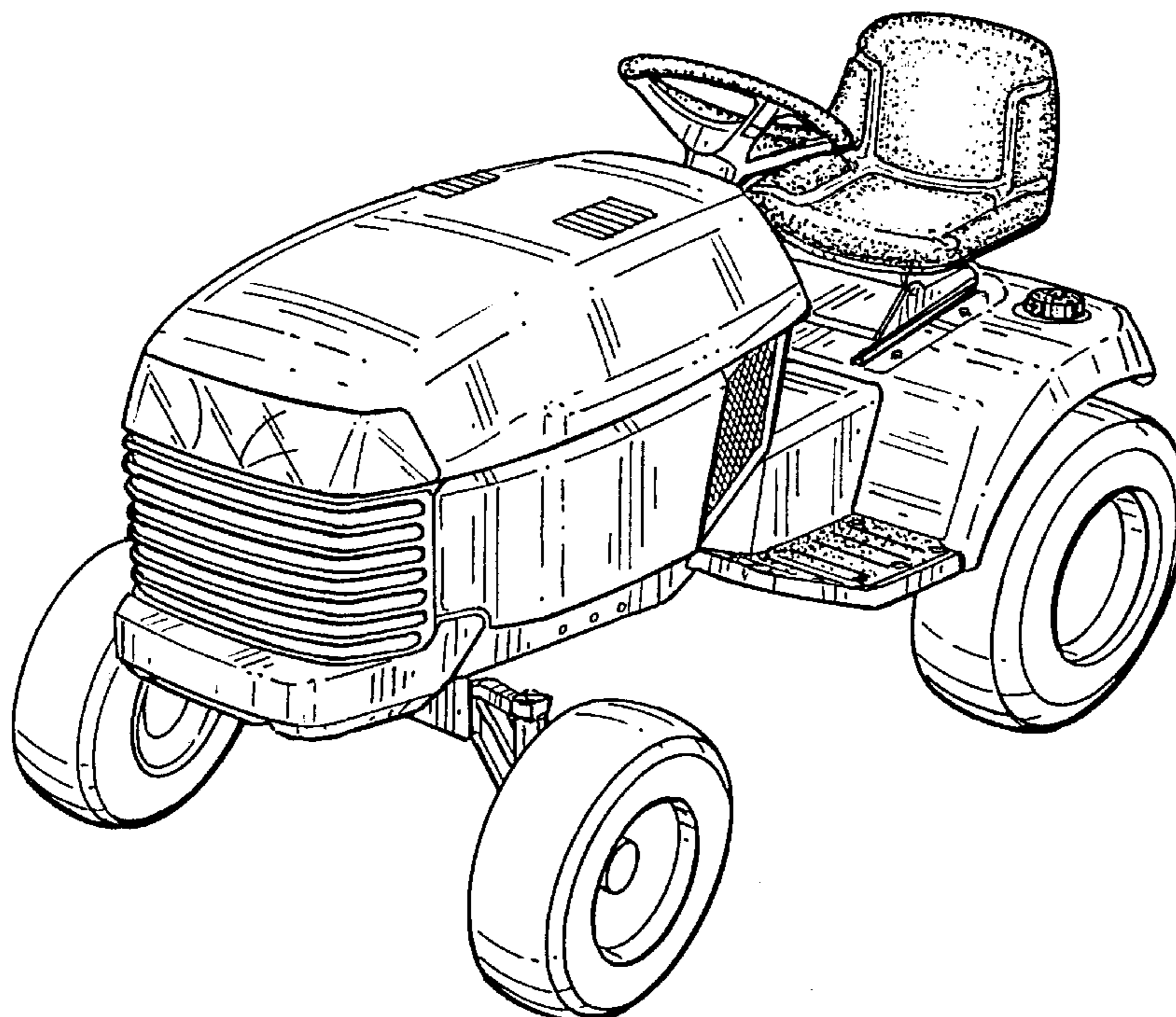
The ornamental design for a lawn and garden tractor, as shown and described.

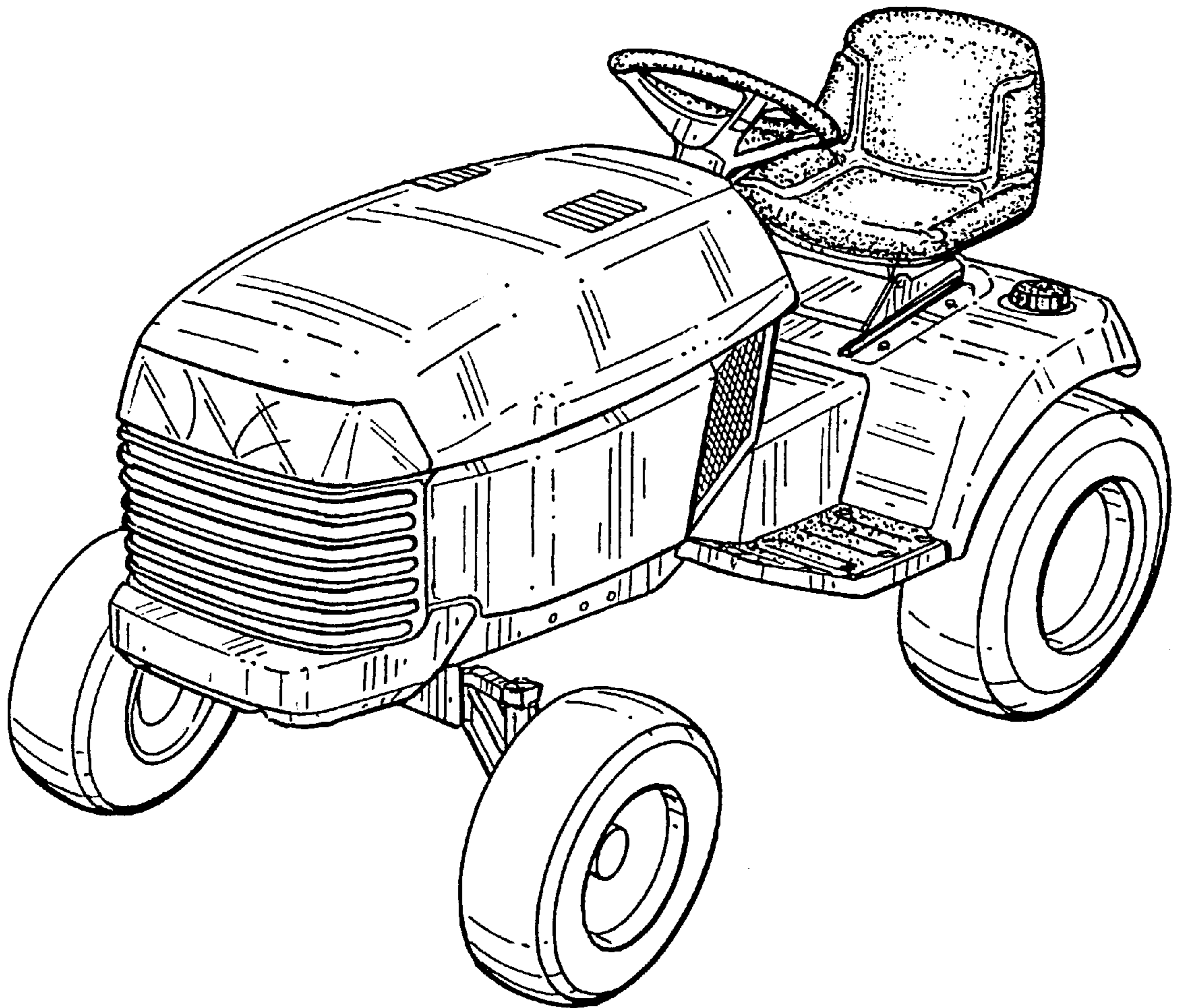
D. 245,604	8/1977	Cognata et al.	15/23
D. 248,397	7/1978	Cognata et al.	D15/15
D. 249,042	8/1978	Hinklin	D15/23
D. 285,078	8/1986	Mizushima et al.	D15/15
D. 297,538	9/1988	Ogasawara et al.	D15/15
D. 314,777	2/1991	Crabree et al.	D15/15
D. 325,208	4/1992	Hosonuma	D15/15
D. 345,166	3/1994	Kamlukin et al.	D15/15
D. 353,146	12/1994	Yaguchi et al.	D15/15
D. 354,756	1/1995	Hinklin	D15/15
D. 356,582	3/1995	Weber	D15/15
D. 365,578	12/1995	Westimayer et al.	D15/31
4,664,405	5/1987	Bedis	280/490 A
4,969,533	11/1990	Holm et al.	180/273

### DESCRIPTION

FIG. 1 is a top, front, and left side perspective view of a lawn and garden tractor showing my new design; FIG. 2 is a left side elevational view of FIG. 1; FIG. 3 is a front elevational view of FIG. 1; FIG. 4 is a rear elevational view of FIG. 1; FIG. 5 is a top plan view of FIG. 1; and, FIG. 6 is a right side elevational view of FIG. 1. FIGS. 2-6 are shown on an enlarged scale.

**1 Claim, 6 Drawing Sheets**





*FIG. 1*



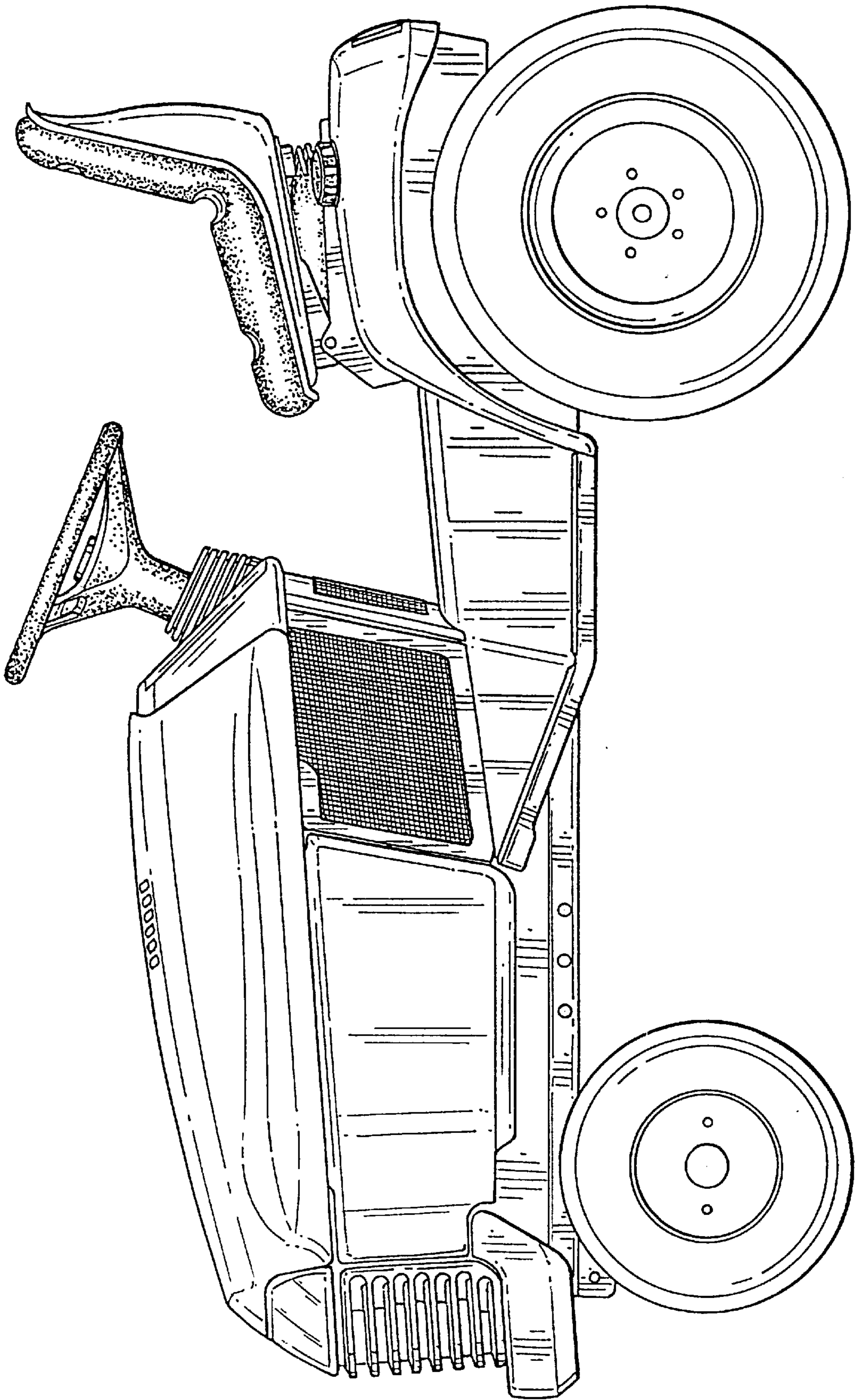
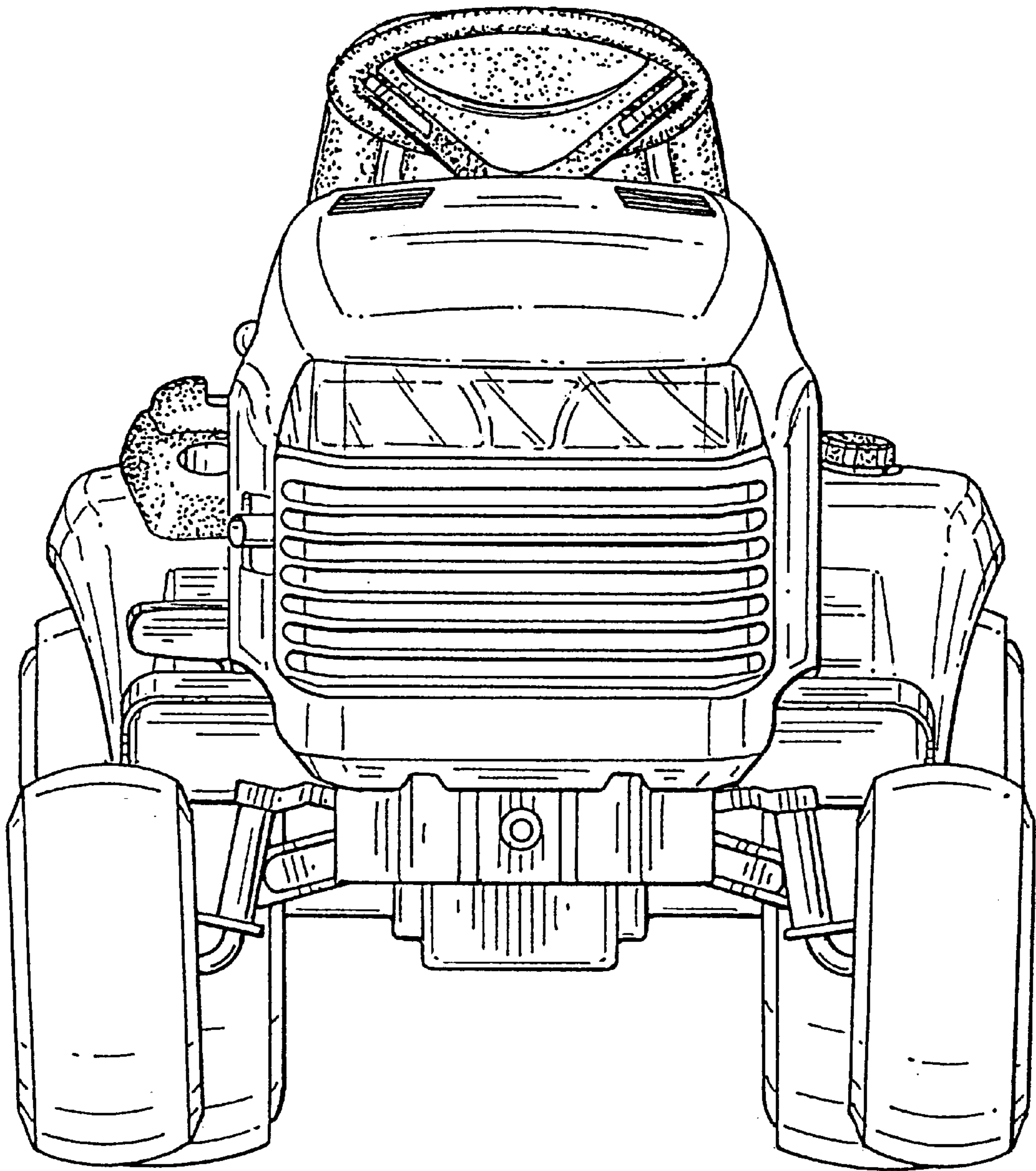


FIG. 2



*FIG. 3*

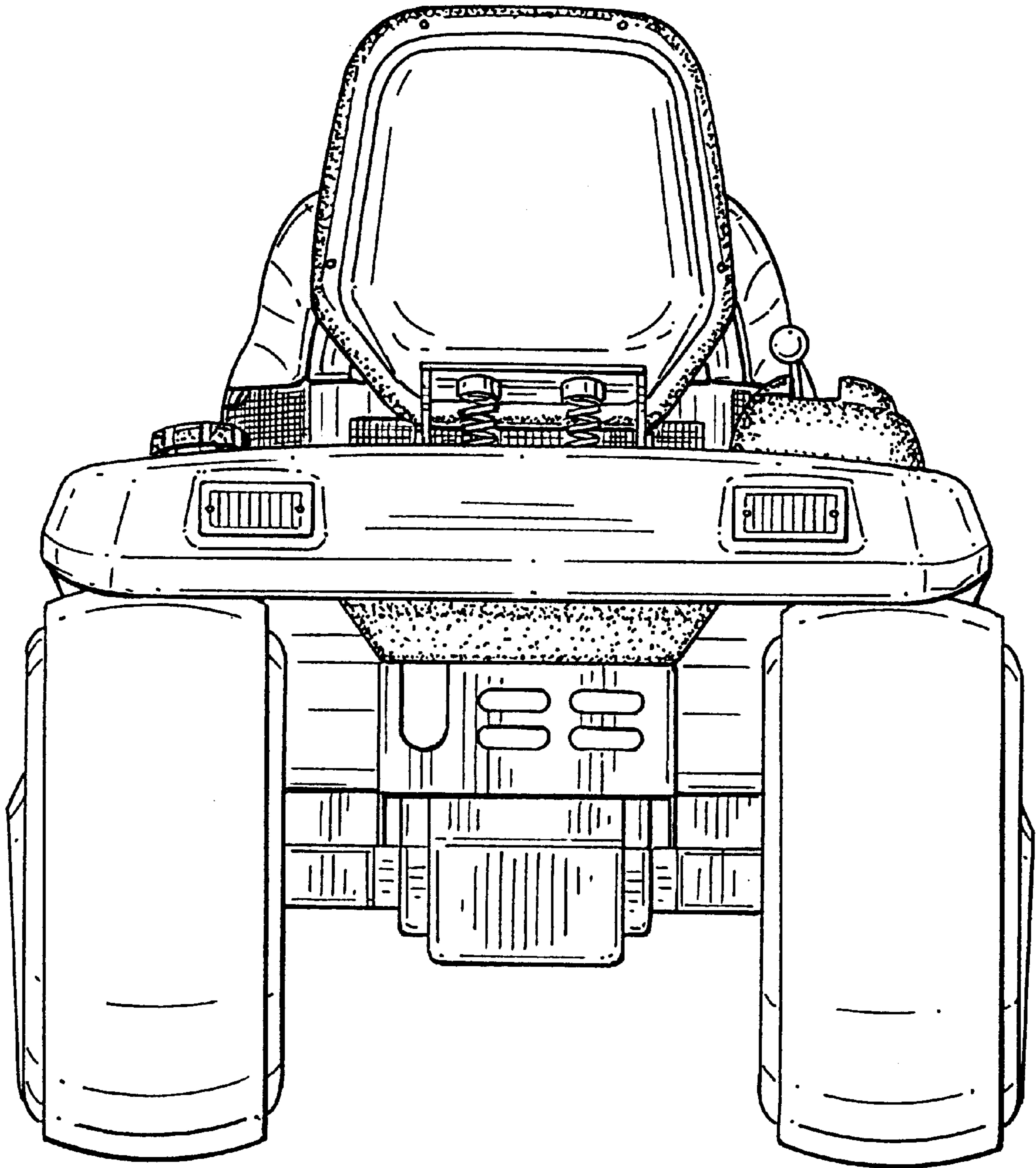


FIG. 4



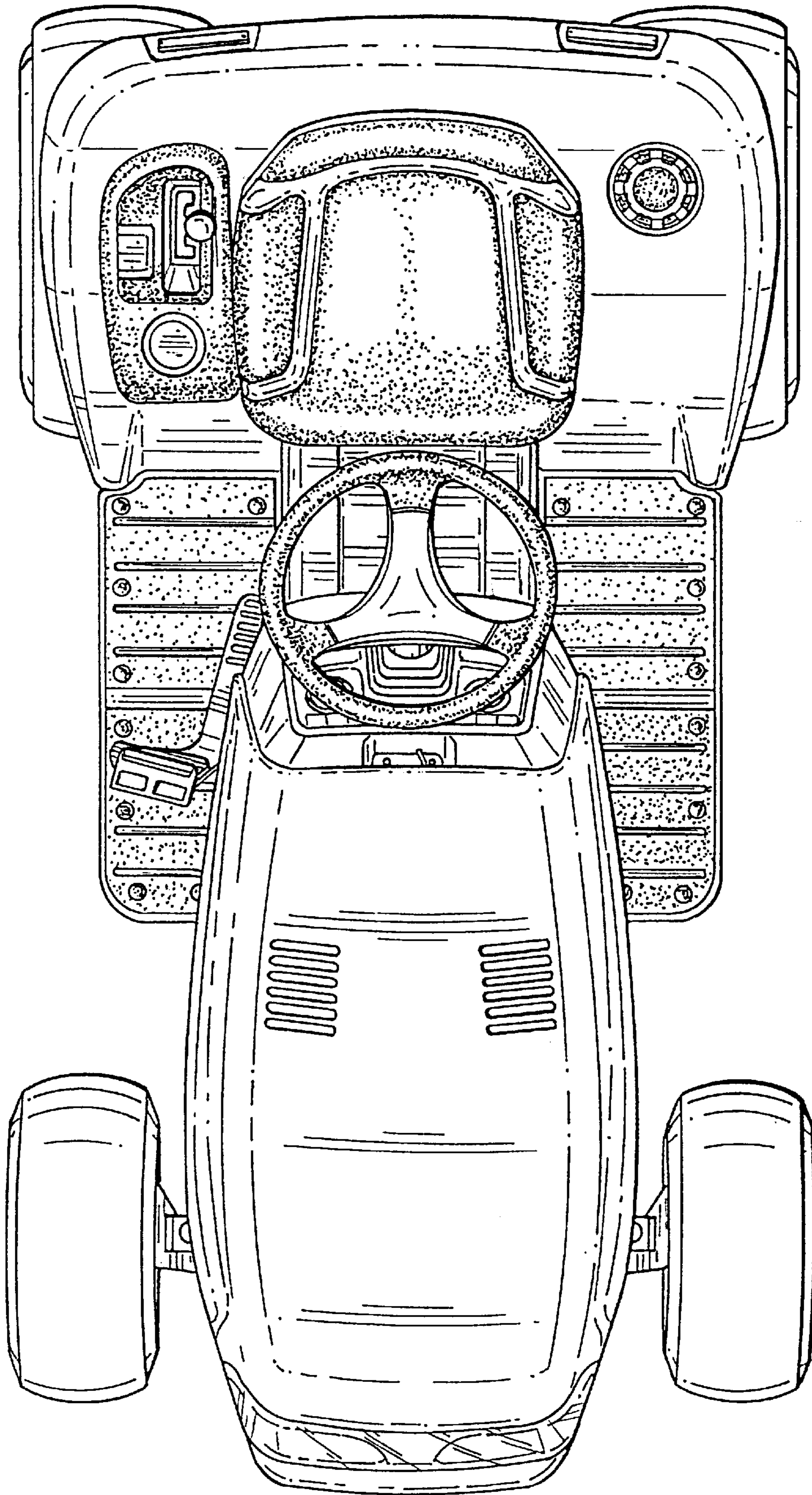


FIG. 5

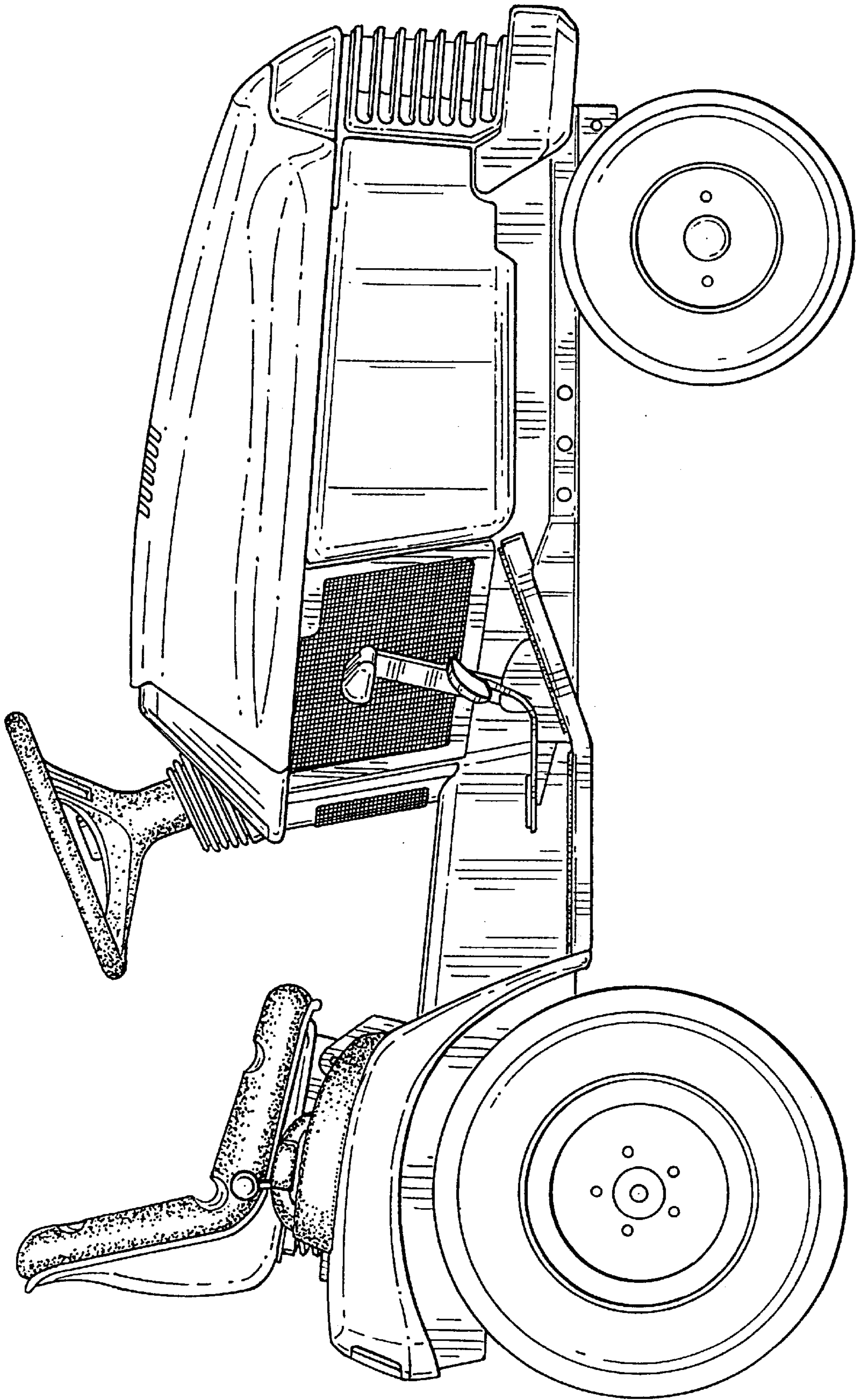


FIG. 6