



US00D421256S

United States Patent [19]

Sato et al.

[11] Patent Number: Des. 421,256

[45] Date of Patent: ** Feb. 29, 2000

- [54] WIRELESS TELEPHONE
- [75] Inventors: Toshiaki Sato; Hiroshi Date, both of Tokyo, Japan
- [73] Assignee: Sony Corporation, Tokyo, Japan
- [**] Term: 14 Years
- [21] Appl. No.: 29/105,765
- [22] Filed: Jun. 1, 1999

Related U.S. Application Data

- [62] Division of application No. 29/090,136, Jun. 30, 1998.
- [51] LOC (6) Cl. 14-03
- [52] U.S. Cl. D14/138
- [58] Field of Search D14/137, 138, D14/147-148, 247-248, 250, 240, 140-142; 379/433, 434, 419, 420, 428, 440; 455/550-575, 90

References Cited

U.S. PATENT DOCUMENTS

D. 306,294	2/1990	Watanabe	D14/148
D. 319,441	8/1991	Konno et al.	D14/147
D. 327,059	6/1992	Chu et al.	D14/147 X
D. 330,024	10/1992	Peersmann	D14/147
D. 343,835	2/1994	Nagele et al.	D14/138
D. 345,356	3/1994	Ando et al.	D14/138
D. 352,503	11/1994	Nagele	D14/138
D. 369,599	5/1996	Wang	D14/138
D. 376,143	12/1996	Biskup et al.	D14/138
D. 379,983	6/1997	Shindou	D14/138
D. 395,300	6/1998	Yamazaki et al.	D14/138
D. 398,305	9/1998	Kasbekar	D14/138
5,109,539	4/1992	Inubushi et al.	455/575
5,151,946	9/1992	Martensson	455/550
5,335,273	8/1994	Takagi et al.	379/433

5,436,969	7/1995	Kobayashi	379/433
5,630,211	5/1997	Nagi	455/575
5,651,063	7/1997	Ji et al.	379/433
5,732,331	3/1998	Harms	455/90
5,761,300	6/1998	Domoeczny	379/433
5,764,760	6/1998	Grandbert et al.	379/433
5,832,079	11/1998	Rabe	379/434 X
5,905,796	5/1999	Jung	379/433
5,930,353	7/1999	Lee et al.	379/433

FOREIGN PATENT DOCUMENTS

3-234126	10/1991	Japan	.
6-152459	5/1994	Japan	.
6-164440	6/1994	Japan	.
1009668	5/1998	Japan	.
1009669	5/1998	Japan	.
1009912	5/1998	Japan	.
63-288549	11/1998	Japan	.

Primary Examiner—Jeffrey Asch
Attorney, Agent, or Firm—Foley & Lardner

[57] CLAIM

The ornamental design for a wireless telephone, as shown and described.

DESCRIPTION

FIG. 1 is a perspective view of a wireless telephone showing our new design;
FIG. 2 is a top plan view thereof;
FIG. 3 is a left side elevational view thereof;
FIG. 4 is a front elevational view thereof;
FIG. 5 is a bottom plan view thereof;
FIG. 6 is a right side elevational view thereof;
FIG. 7 is a rear elevational view thereof; and,
FIG. 8 is a perspective view of a wireless telephone showing our new design, wherein the lid portion is in the closed position.

1 Claim, 5 Drawing Sheets

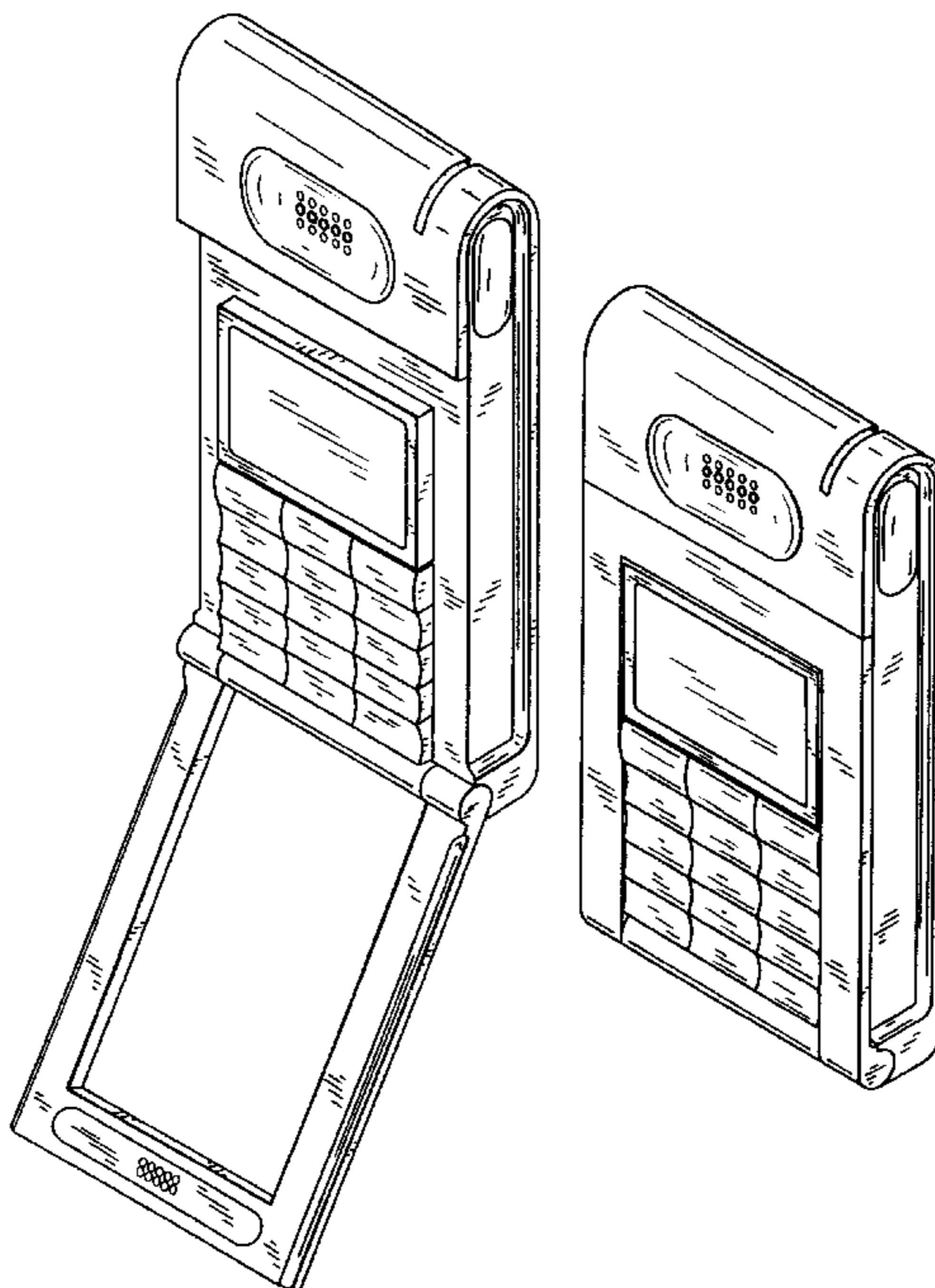


FIG. 1

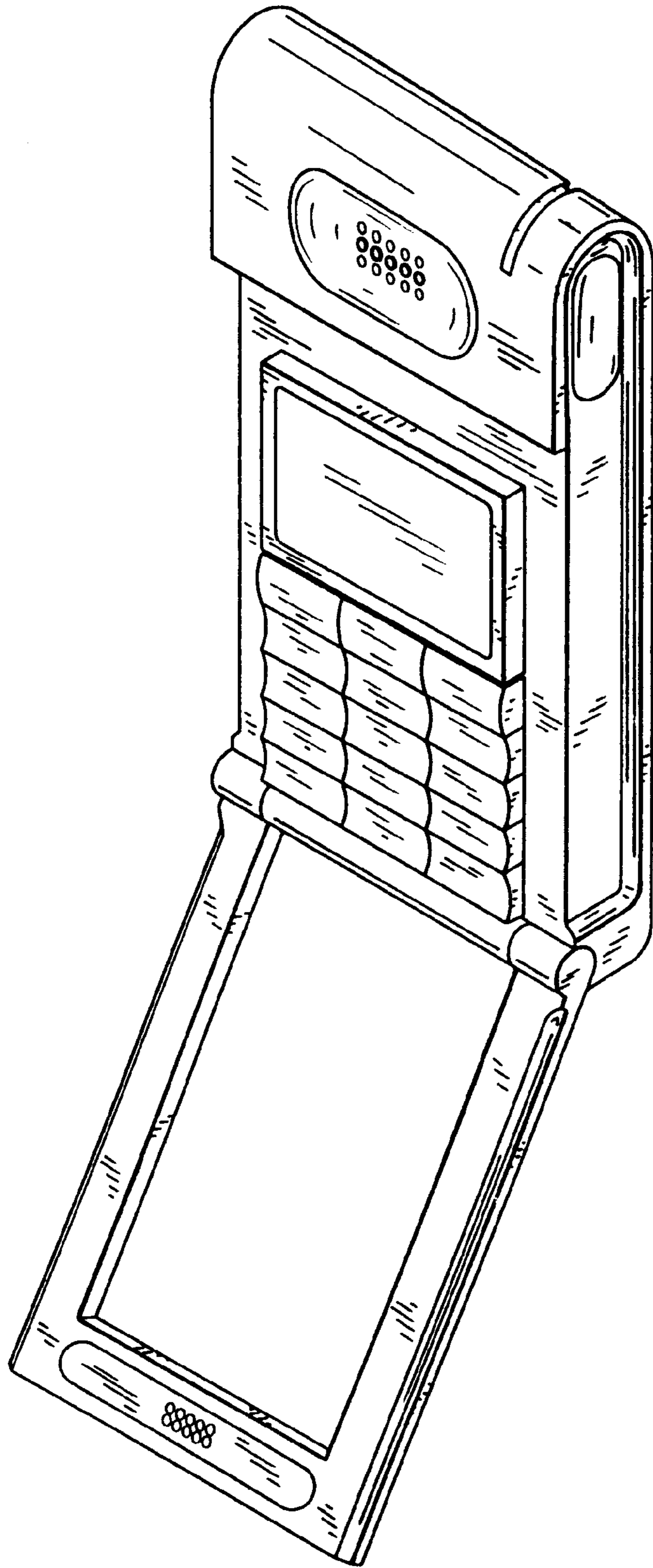


FIG. 2

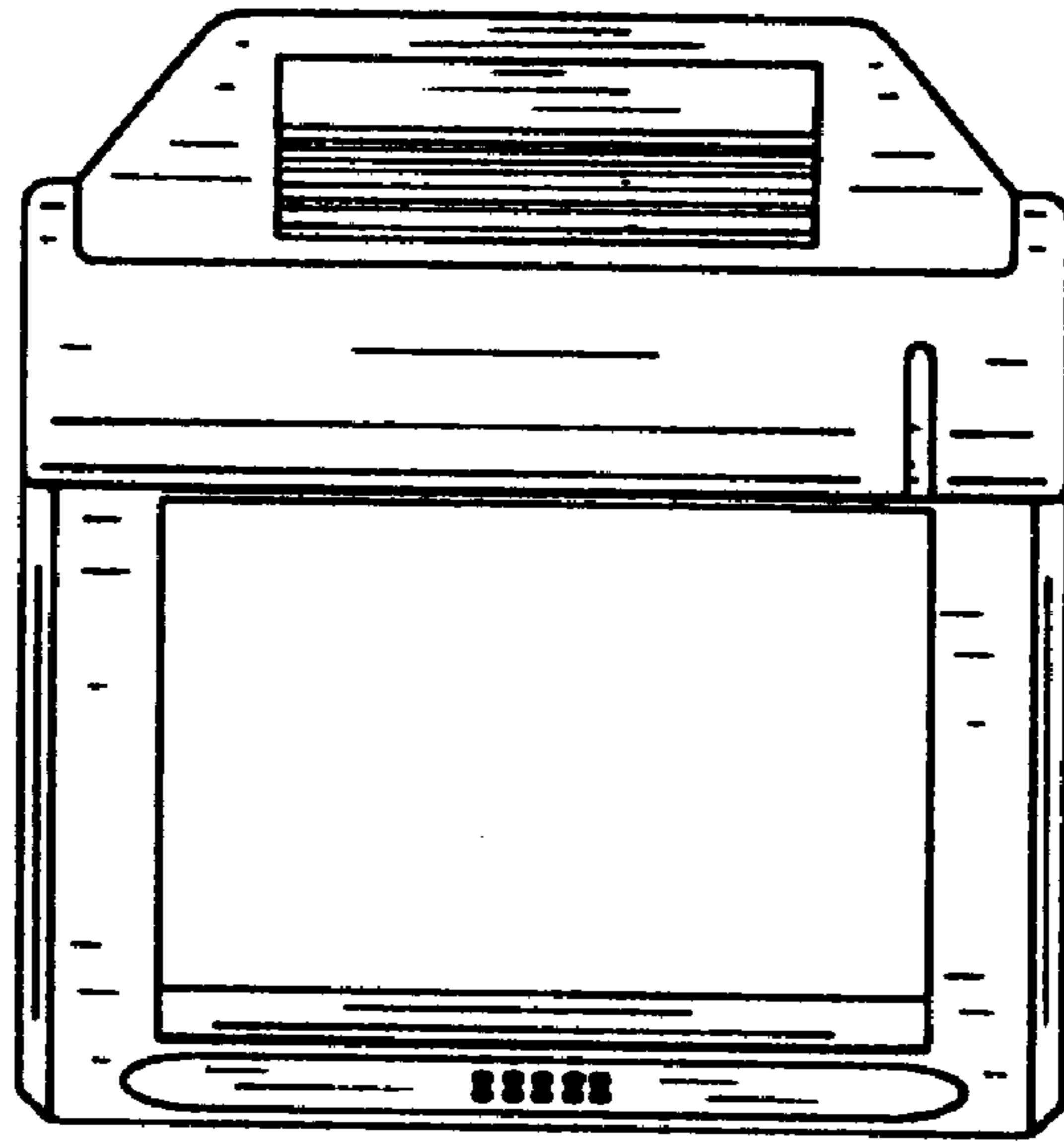


FIG. 5

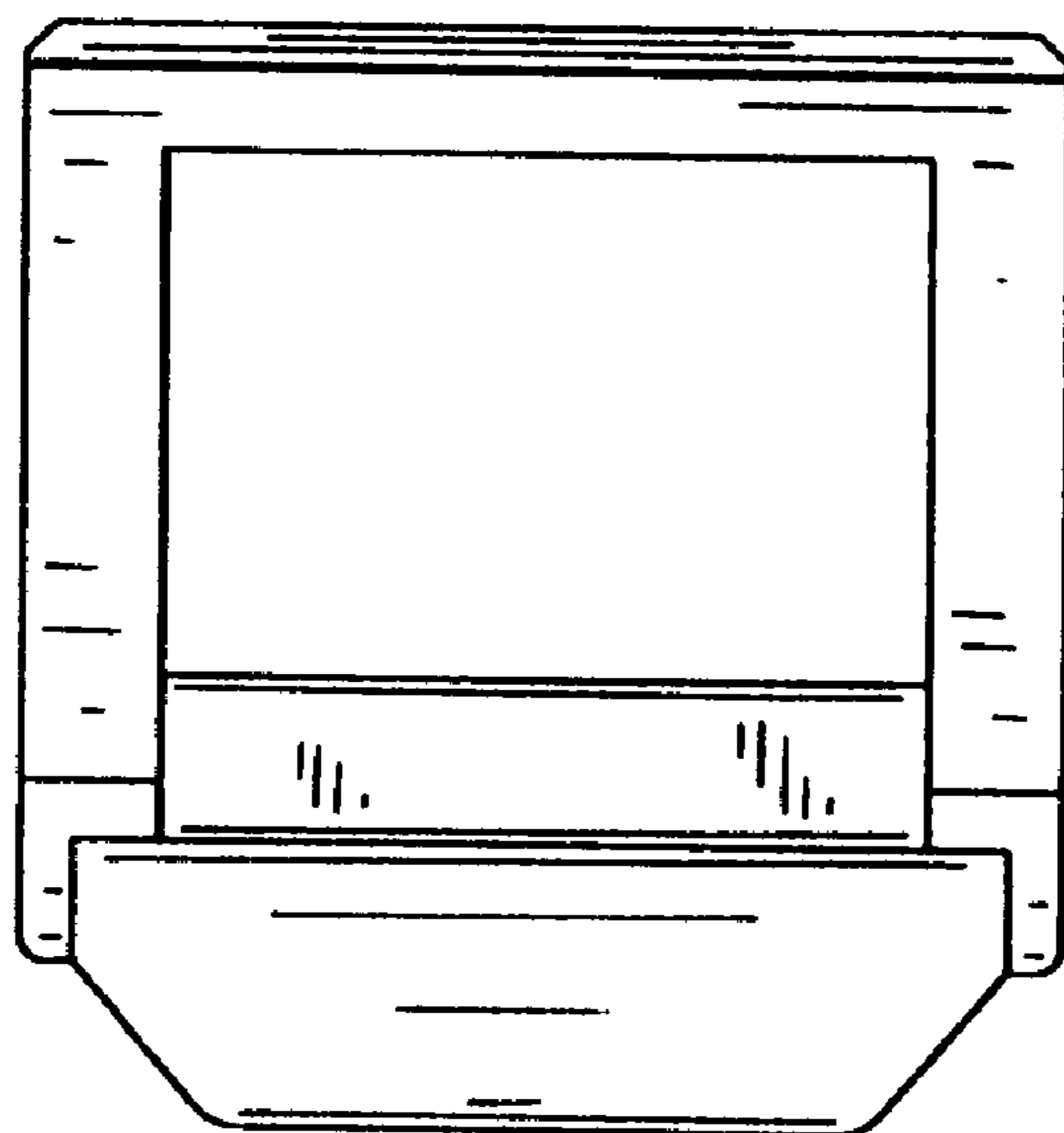


FIG. 6

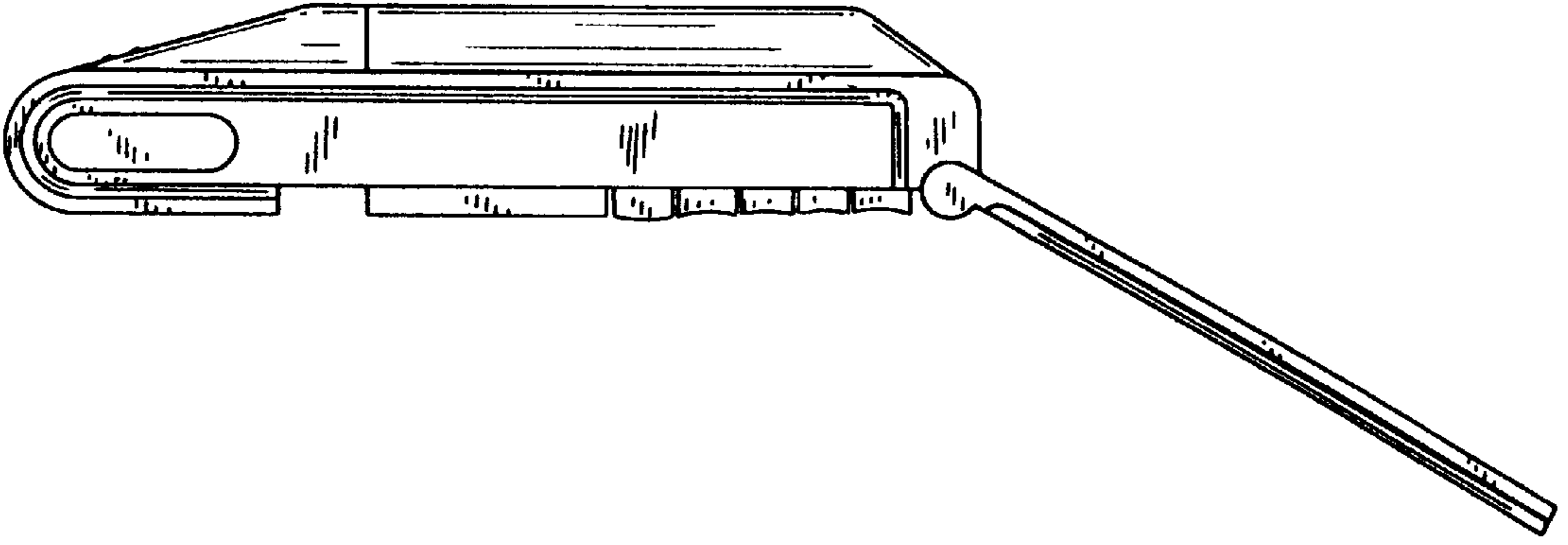


FIG. 3

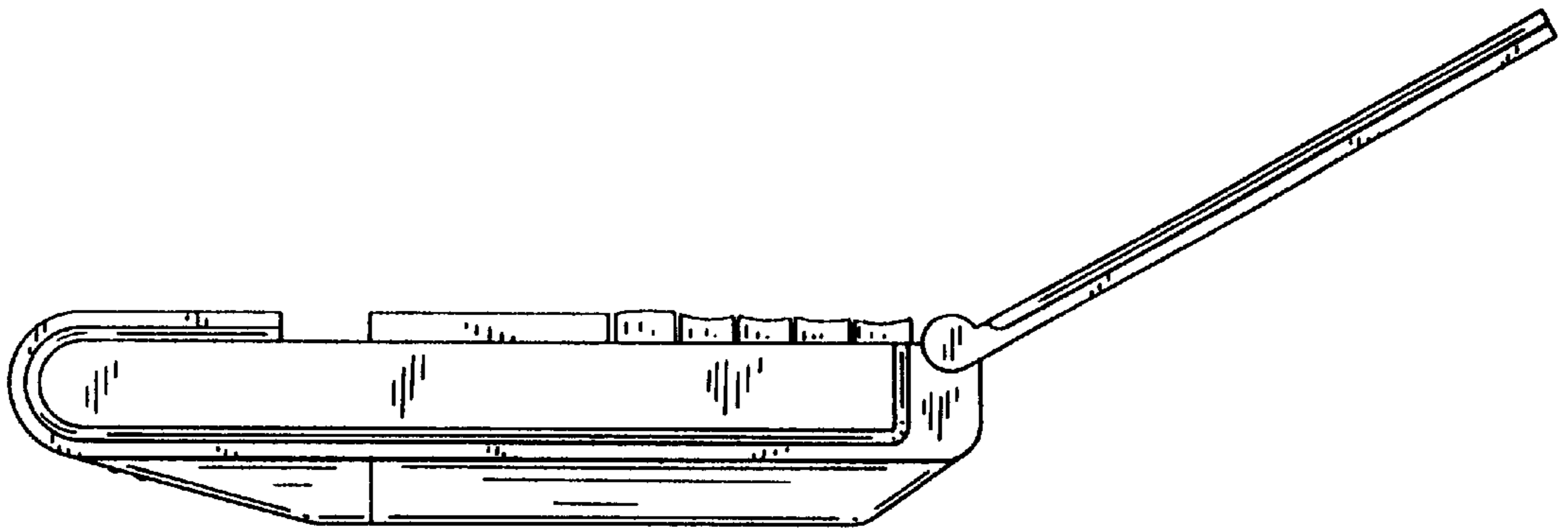


FIG. 7

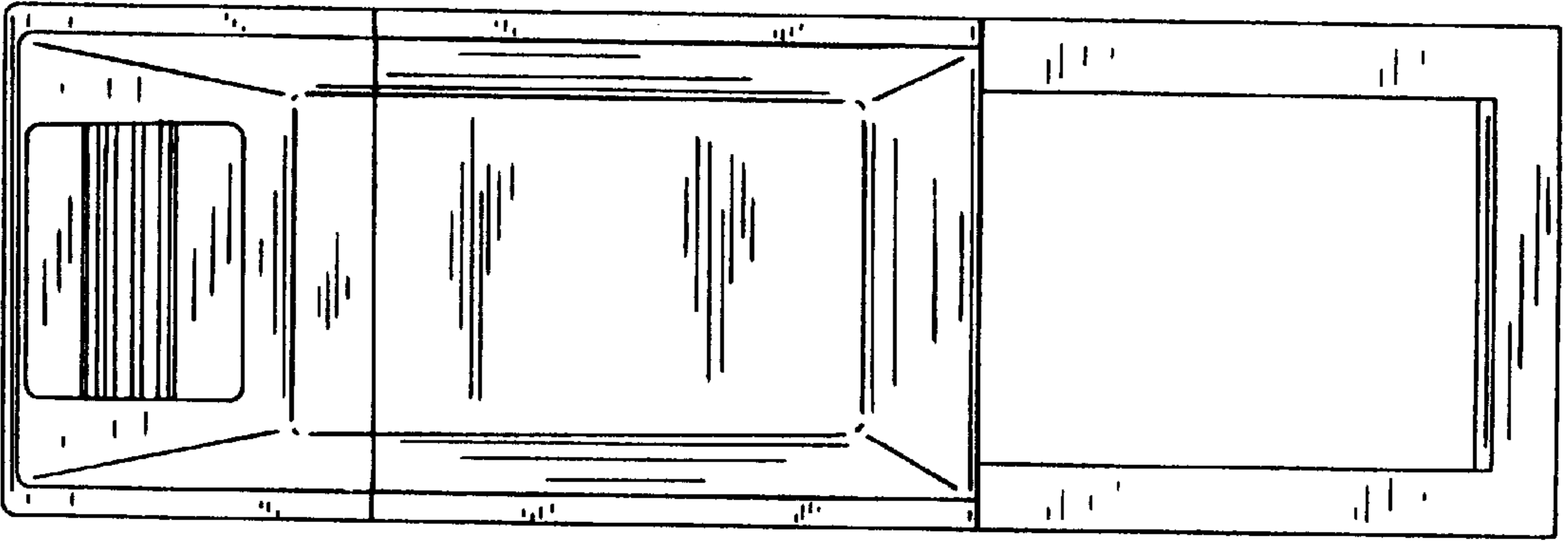


FIG. 4

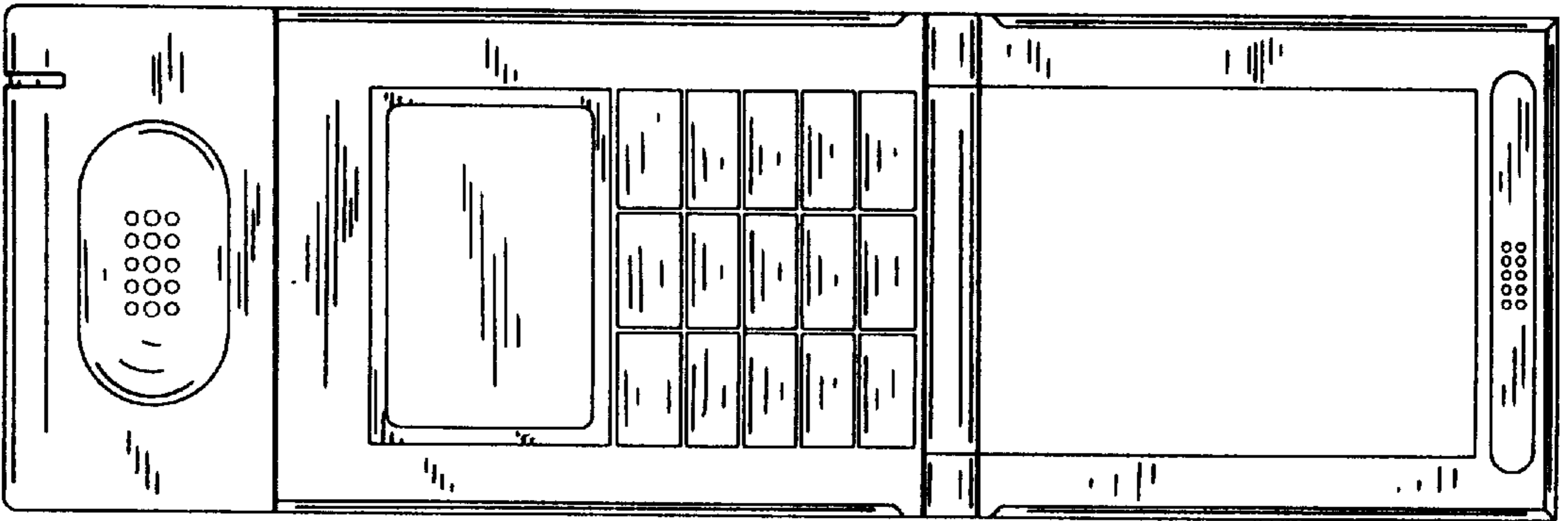


FIG. 8

