



US00D421255S

United States Patent [19]

Hisatsune et al.

[11] **Patent Number: Des. 421,255**

[45] **Date of Patent: ** Feb. 29, 2000**

[54] **EDITOR**

Attorney, Agent, or Firm—Foley & Lardner

[75] Inventors: **Toshiyuki Hisatsune; Tetsu Sumii,**
both of Tokyo, Japan

[57] **CLAIM**

The ornamental design for an editor, as shown and described.

[73] Assignee: **Sony Corporation,** Tokyo, Japan

[**] Term: **14 Years**

DESCRIPTION

[21] Appl. No.: **29/085,847**

FIG. 1 is a perspective view of a first embodiment of an editor showing our new design;

[22] Filed: **Mar. 31, 1998**

FIG. 2 is a top plan view of the first embodiment;

[51] **LOC (6) Cl. 14-03**

[52] **U.S. Cl. D14/125; D14/107**

FIG. 3 is a left side elevational view thereof, a right side elevational view being a mirror image;

[58] **Field of Search D14/100, 102,**
D14/107-109, 125, 239; D6/432, 436, 445,
448; D13/162, 184, 199; 312/208.1; 360/99.12;
361/696

FIG. 4 is a front elevational view thereof;

FIG. 5 is a rear elevational view thereof; and

FIG. 6 is a bottom plan view thereof.

[56] **References Cited**

FIG. 7 is a perspective view of a second embodiment of an editor showing our new design;

FIG. 8 is a top plan view thereof;

FIG. 9 is a left side elevational view thereof;

FIG. 10 is a front elevational view thereof;

FIG. 11 is a bottom plan view thereof;

FIG. 12 is a right side elevational view thereof; and,

FIG. 13 is a rear elevational view thereof.

U.S. PATENT DOCUMENTS

D. 338,017	8/1993	Mohri	D14/239
D. 368,905	4/1996	Otani	D14/125
D. 381,647	7/1997	Terng	D14/124
D. 383,446	9/1997	Han	D14/100
D. 386,500	11/1997	Matsumoto et al.	D14/239
D. 386,752	11/1997	Han	D14/100

OTHER PUBLICATIONS

Toshiba Vision Connect, "DVD Internet Game & PC", May 1997.

Primary Examiner—Freda Nunn

1 Claim, 6 Drawing Sheets

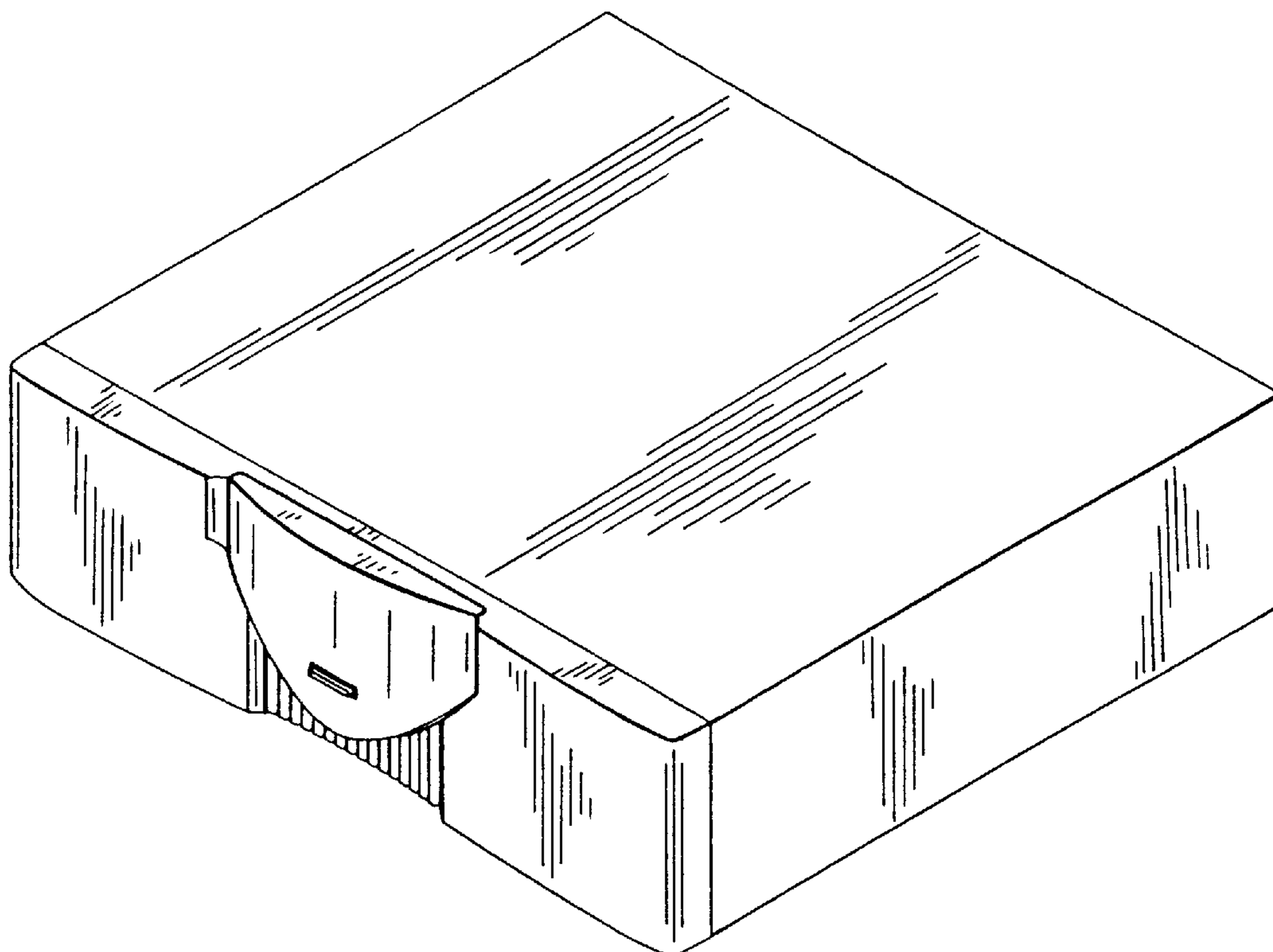
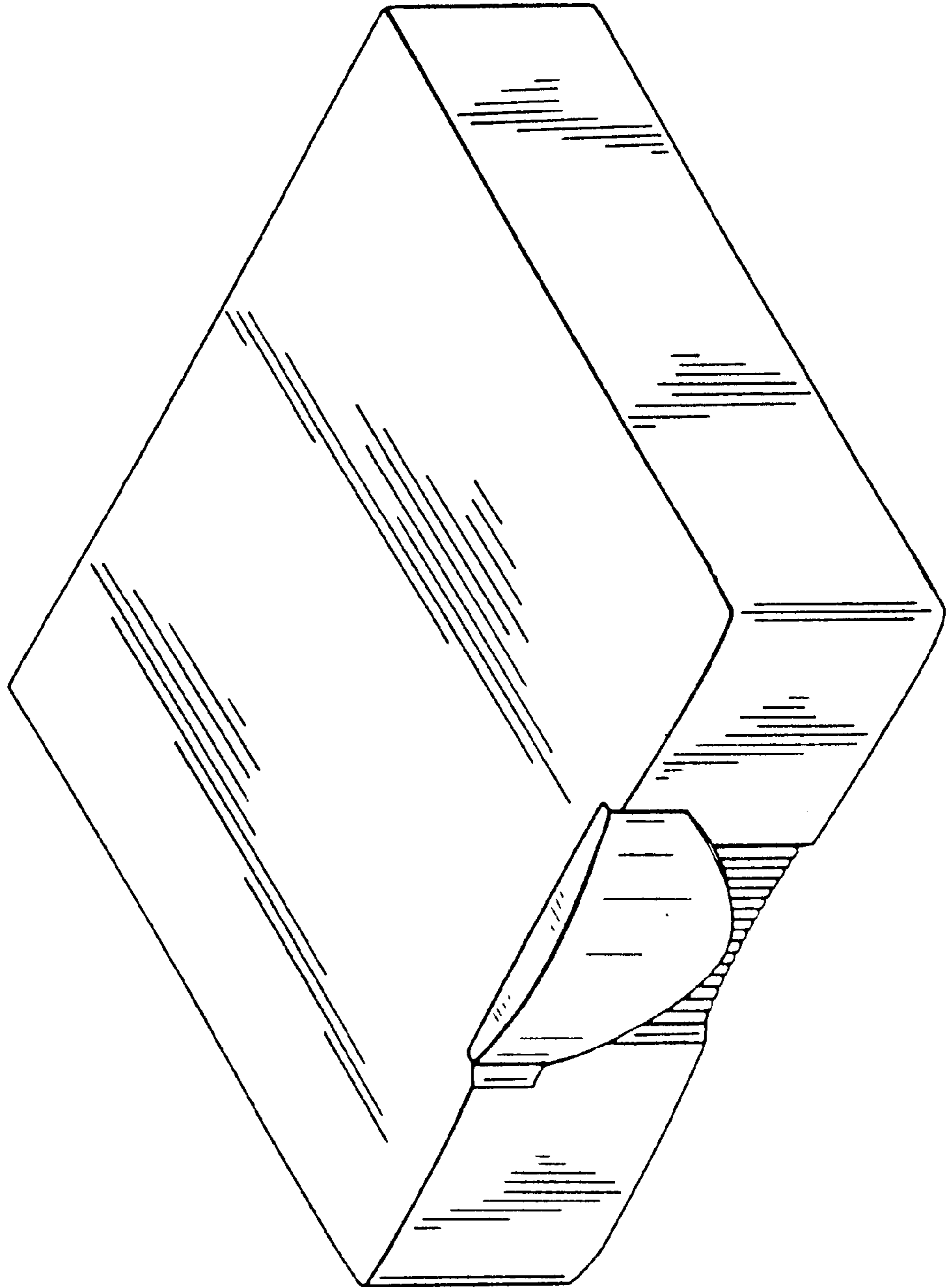


FIG. 1



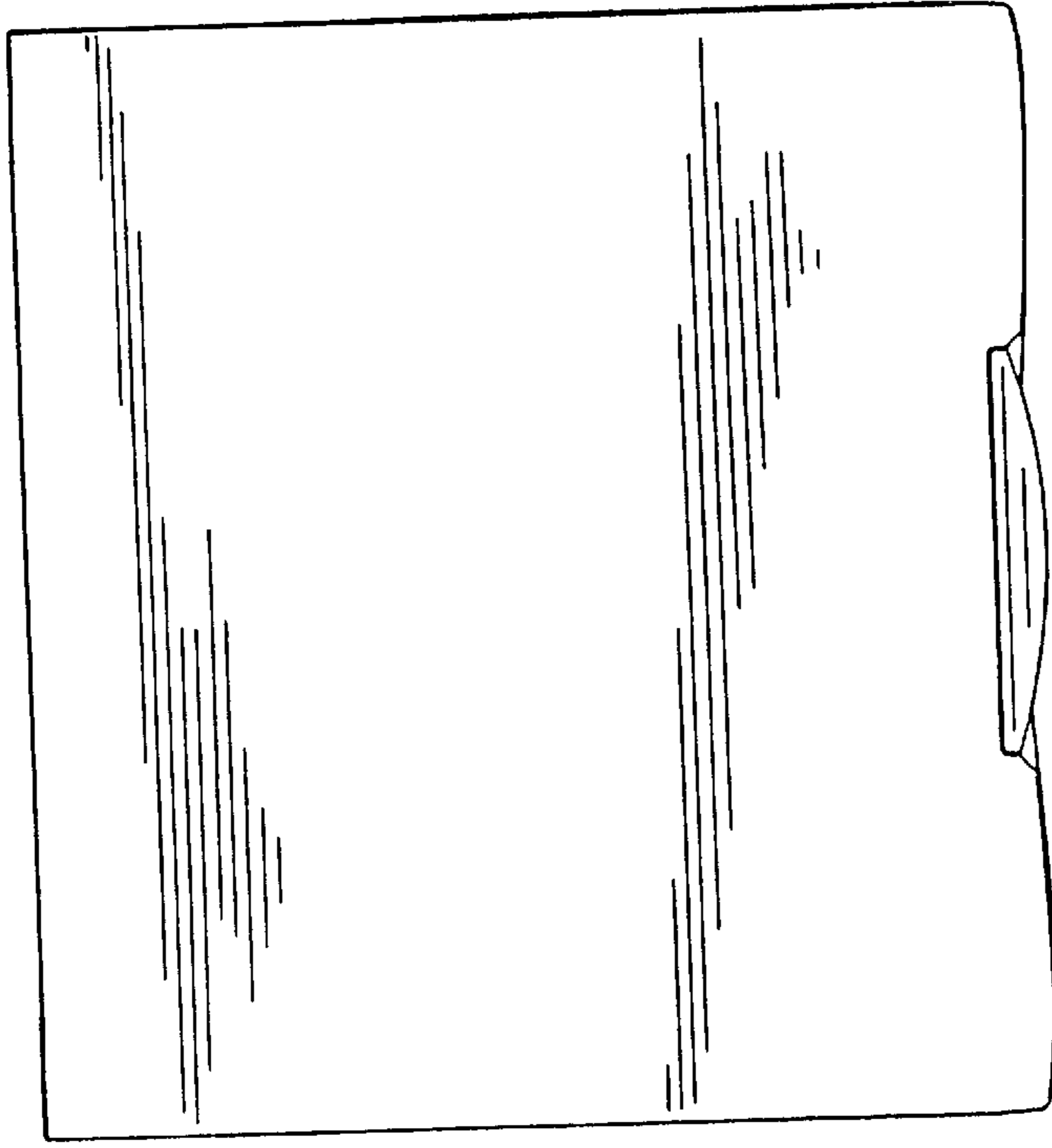


FIG. 2

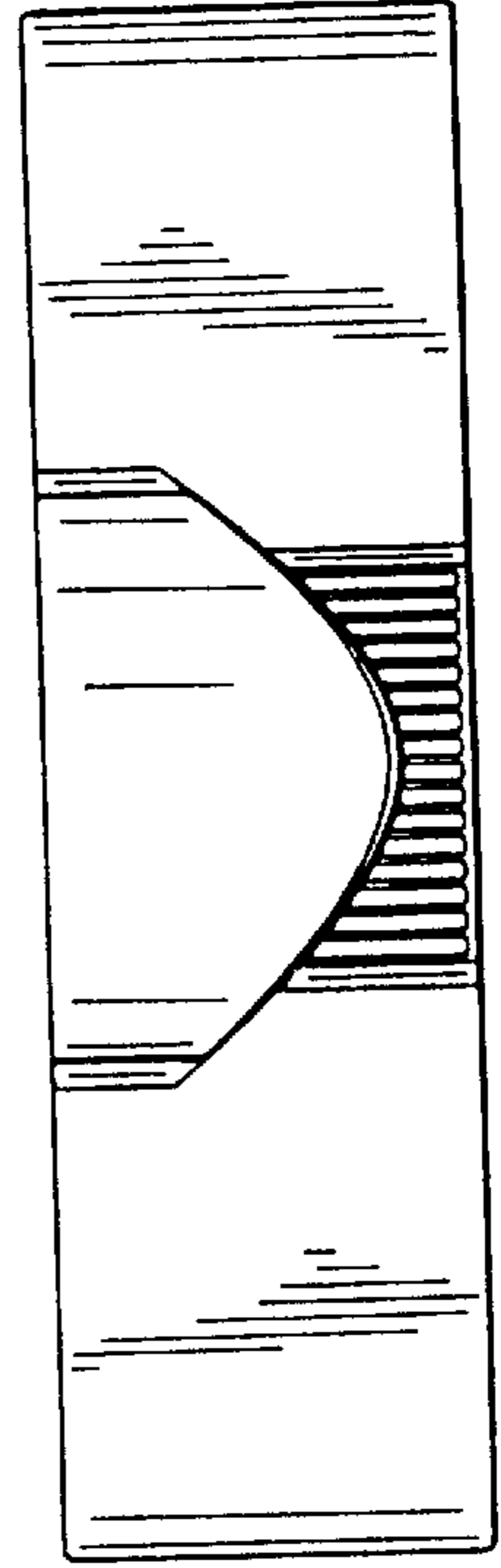


FIG. 4

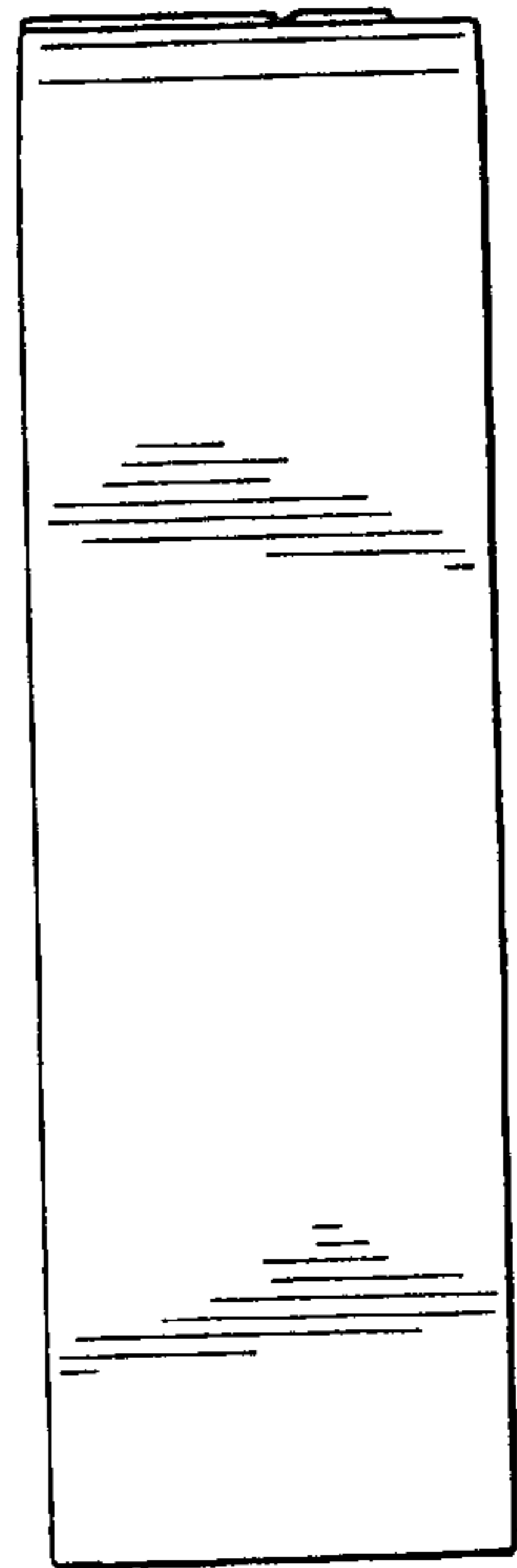


FIG. 3

FIG. 5

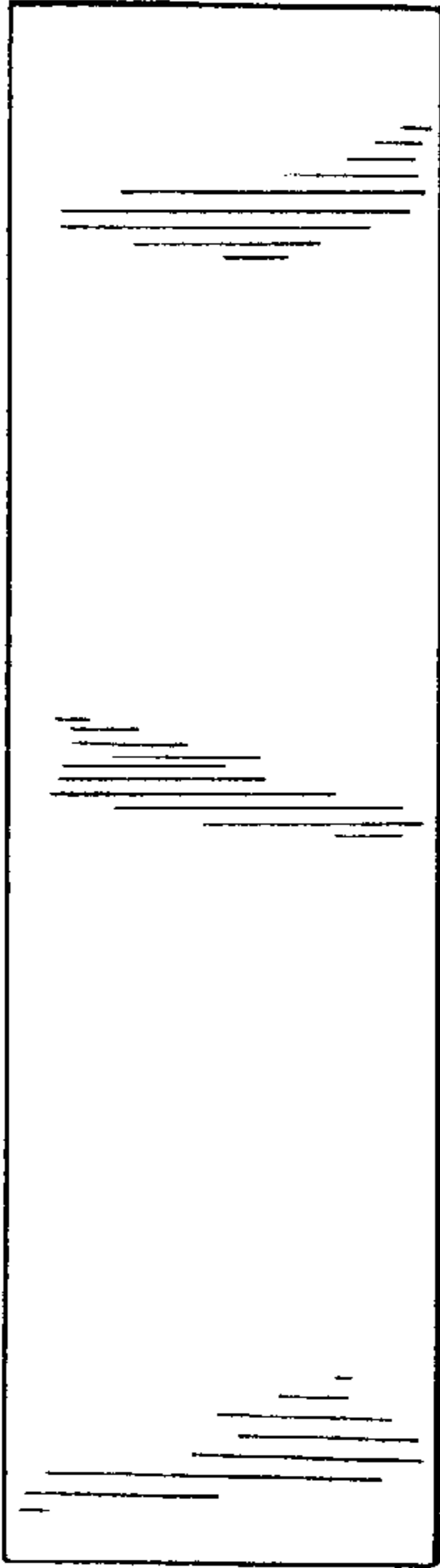


FIG. 6

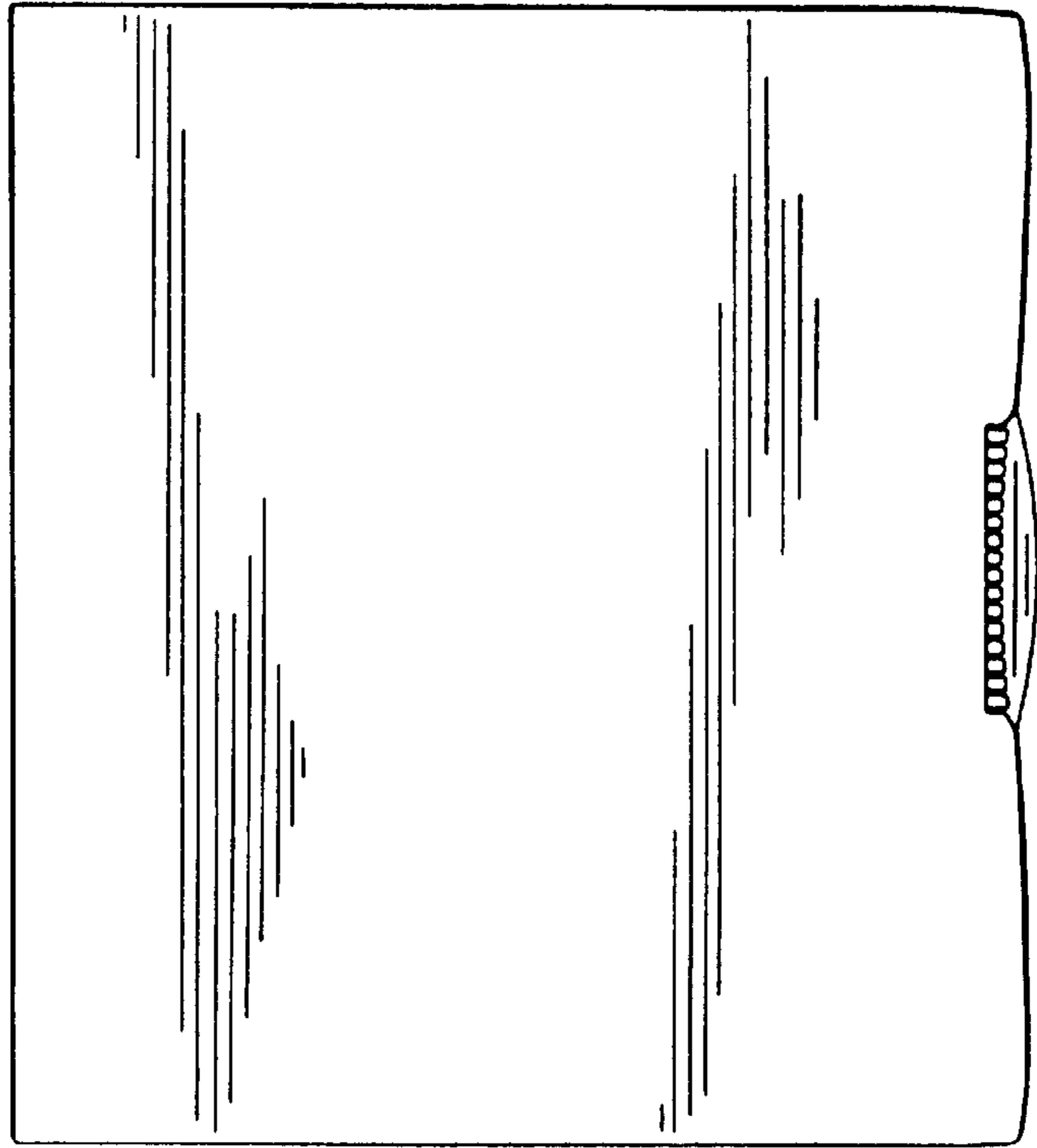
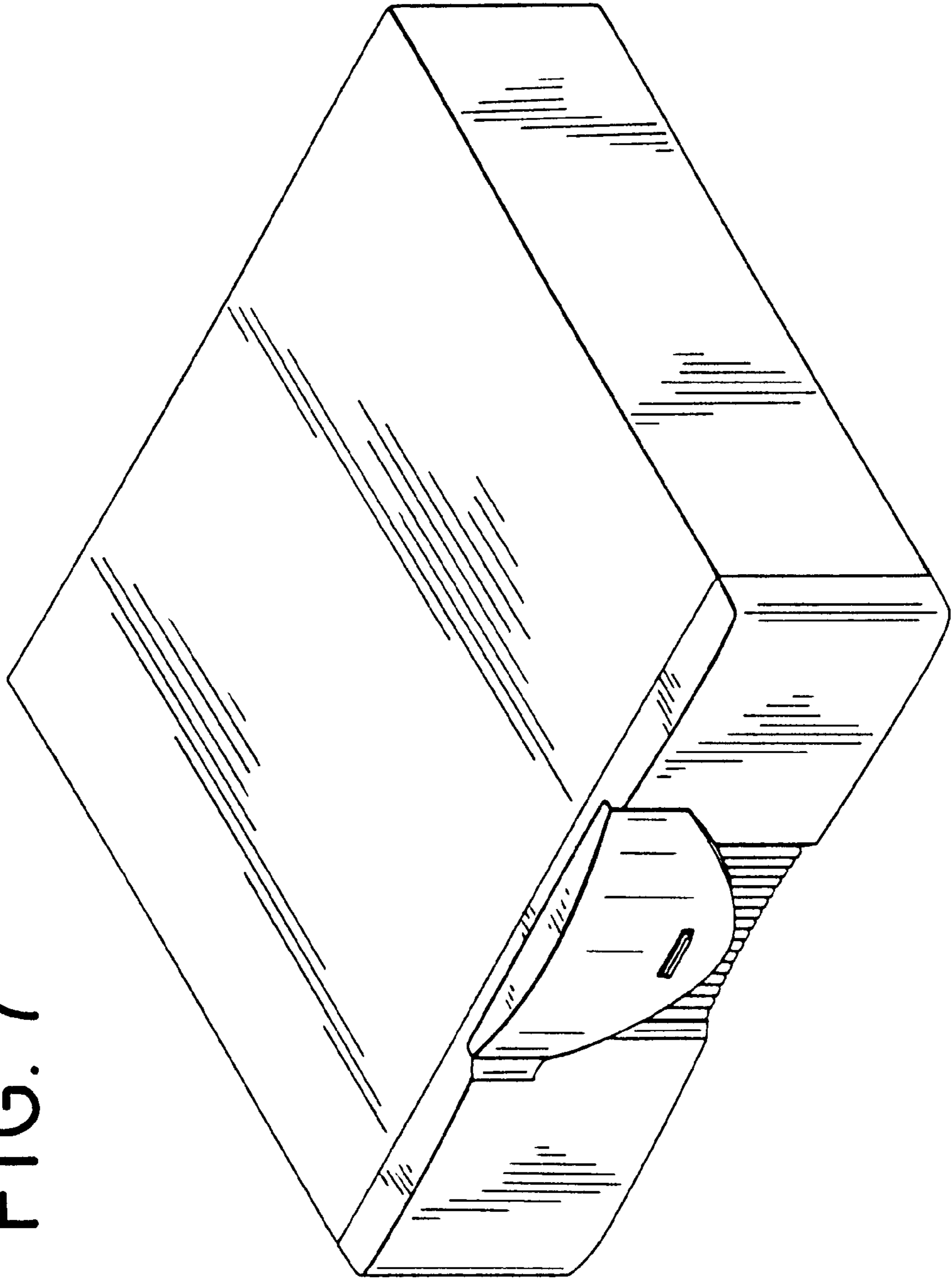


FIG. 7



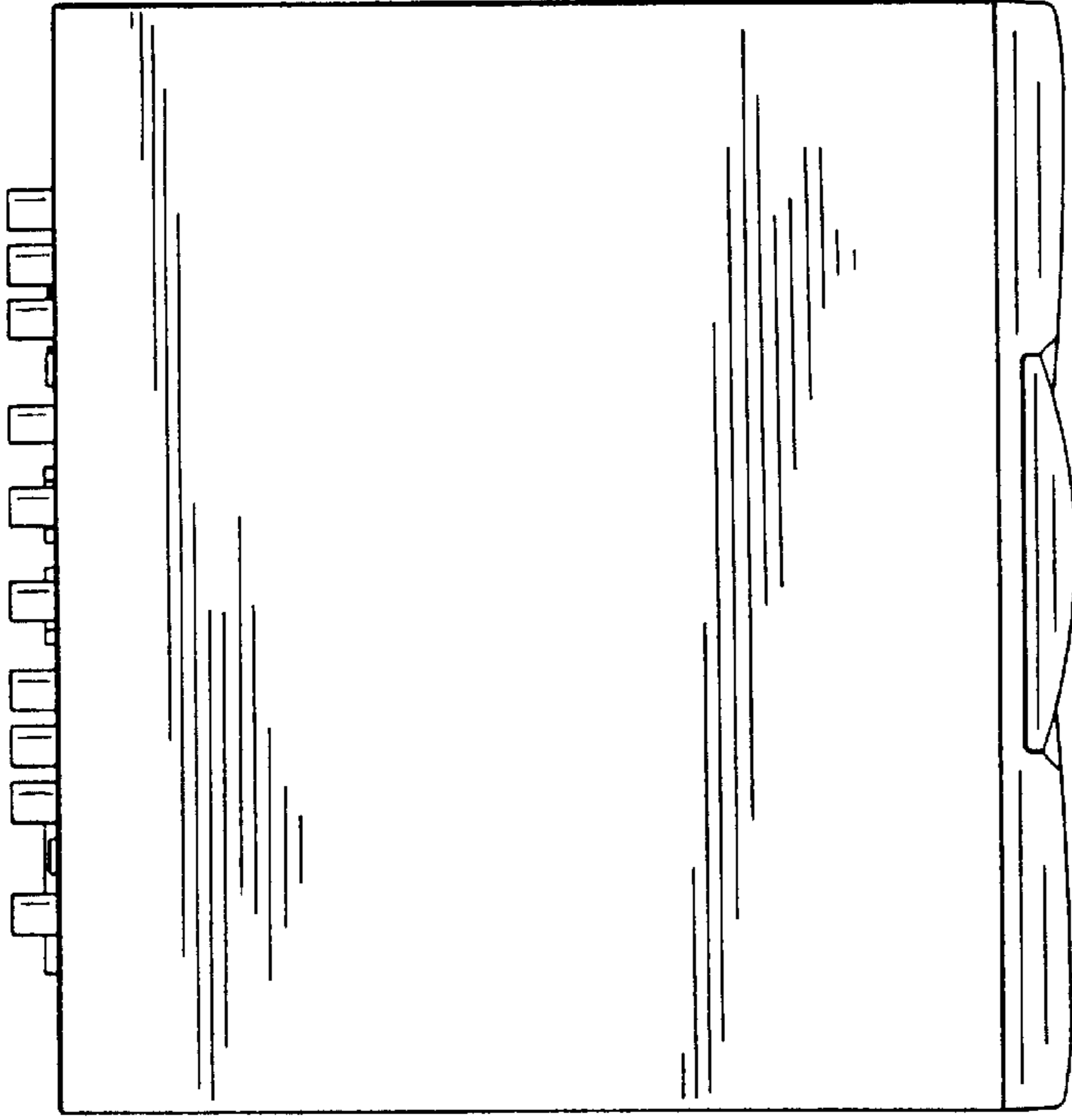


FIG. 8

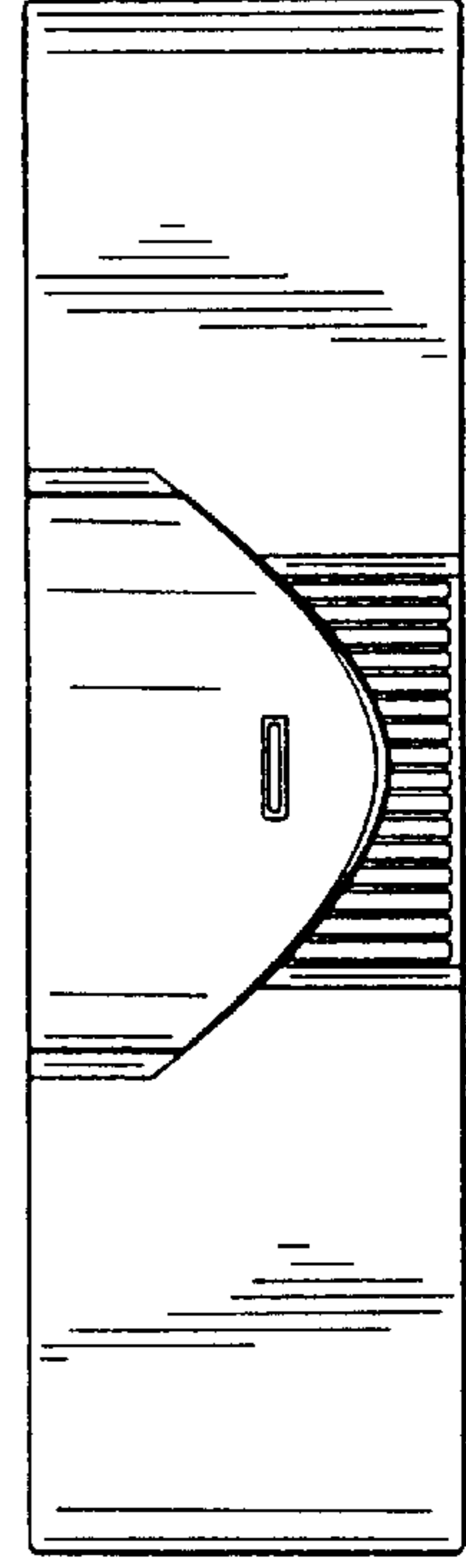


FIG. 10

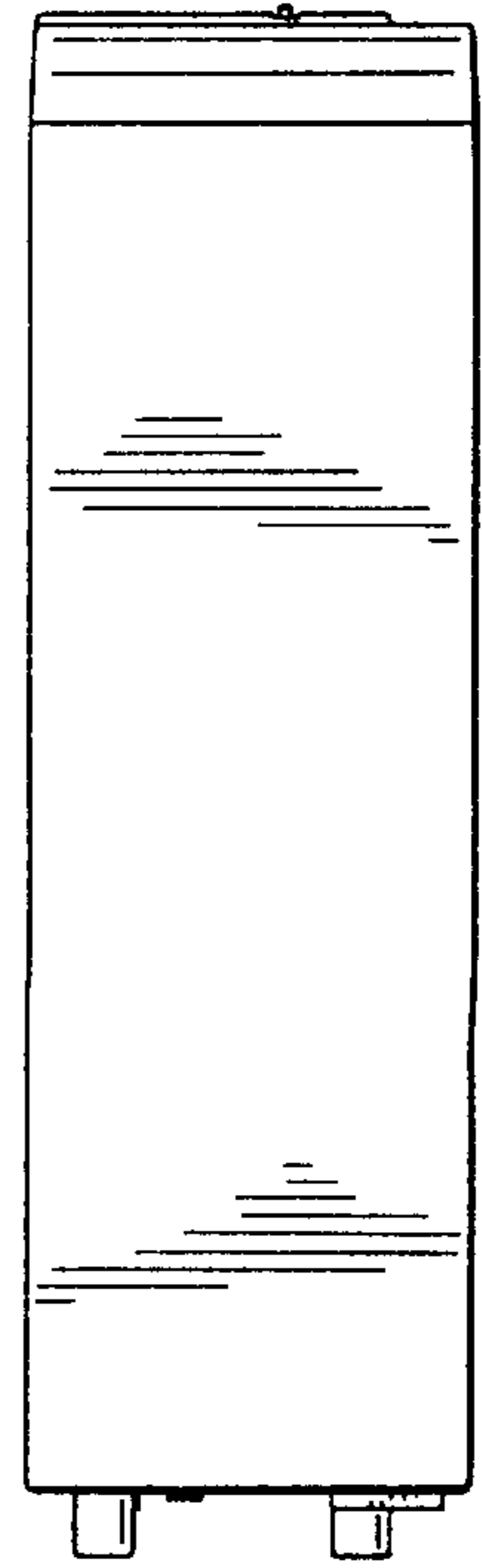


FIG. 9

FIG. 12

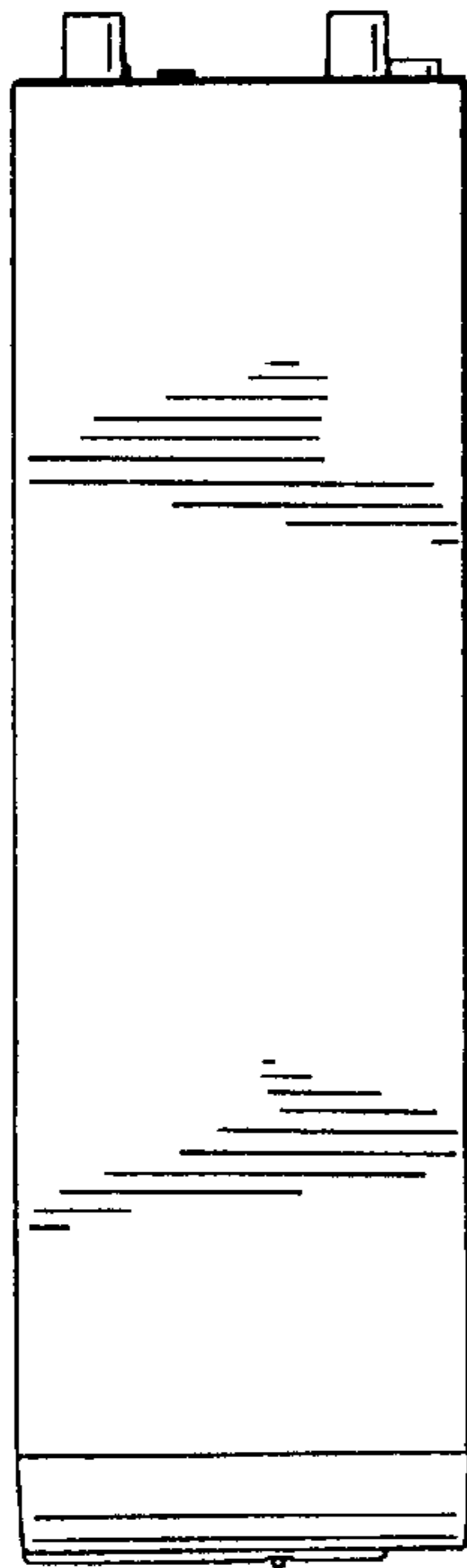


FIG. 13

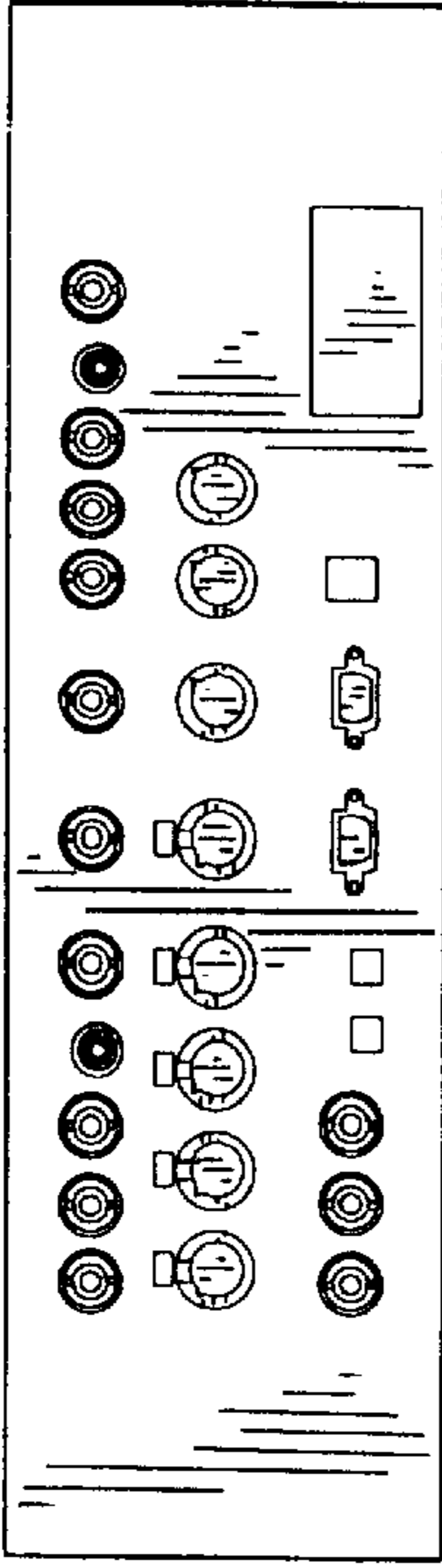


FIG. 11

