



US00D421250S

United States Patent [19]

Wilson, Sr. et al.

[11] Patent Number: **Des. 421,250**

[45] Date of Patent: **** Feb. 29, 2000**

[54] **COMPUTER DATA STORAGE DEVICE**

[75] Inventors: **Robert M. Wilson, Sr.**, Lakeside;
Jonathan Guerra, San Francisco;
Maaiké Evers, San Francisco; **Nicholas Brawne**, San Francisco, all of Calif.

[73] Assignee: **Iomega Corporation**, Roy, Utah

[**] Term: **14 Years**

[21] Appl. No.: **29/087,526**

[22] Filed: **May 4, 1998**

Related U.S. Application Data

[63] Continuation of application No. 29/072,344, Jun. 13, 1997, abandoned.

[51] **LOC (6) Cl.** **14-02**

[52] **U.S. Cl.** **D14/100**

[58] **Field of Search** D14/100, 106,
D14/107; D13/162, 184, 199; D6/432, 436,
445, 448; 361/680-690

[56] References Cited

U.S. PATENT DOCUMENTS

D. 309,298 7/1990 Pushelberg D14/107

D. 311,389 10/1990 Festa et al. D14/107
D. 375,728 11/1996 Nicklos et al. D14/114
D. 377,008 12/1996 Nicklos et al. D14/106 X

Primary Examiner—Freda Nunn
Attorney, Agent, or Firm—Woodcock Washburn Kurtz
Mackiewicz & Norris LLP

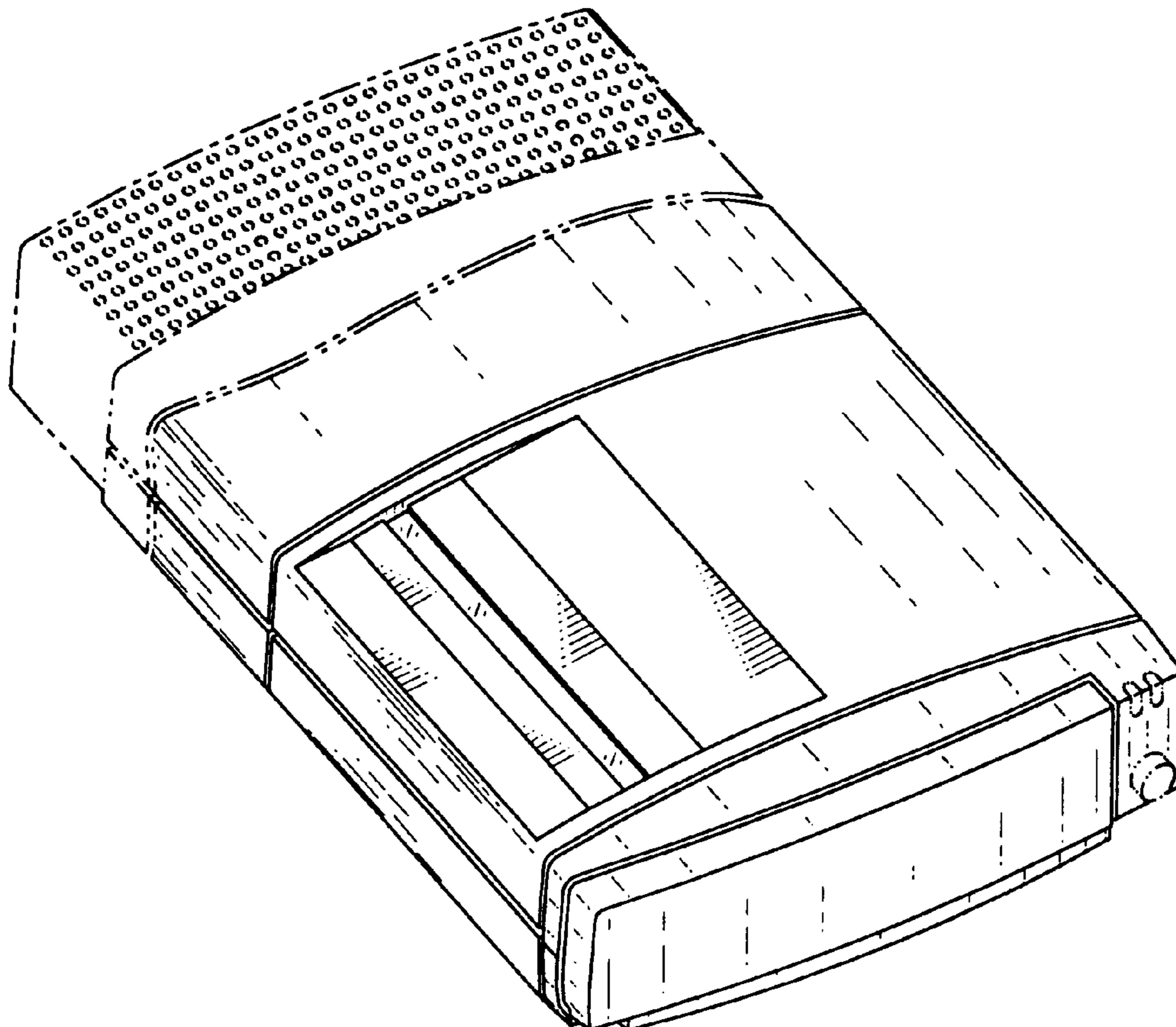
[57] CLAIM

The ornamental design for a computer data storage device, as shown and described.

DESCRIPTION

FIG. 1 is a top perspective view of the computer data storage device;
FIG. 2 is a rear elevation view of the embodiment shown in FIG. 1;
FIG. 3 is a top plan view of the embodiment shown in FIG. 1;
FIG. 4 is a bottom plan view of the embodiment shown in FIG. 1;
FIG. 5 is a side elevation view of FIG. 1;
FIG. 6 is another side elevation of FIG. 1; and,
FIG. 7 is a front elevation of FIG. 1.
The broken lines are shown in the views for illustrative purposes only and form no part of the claimed design.

1 Claim, 7 Drawing Sheets



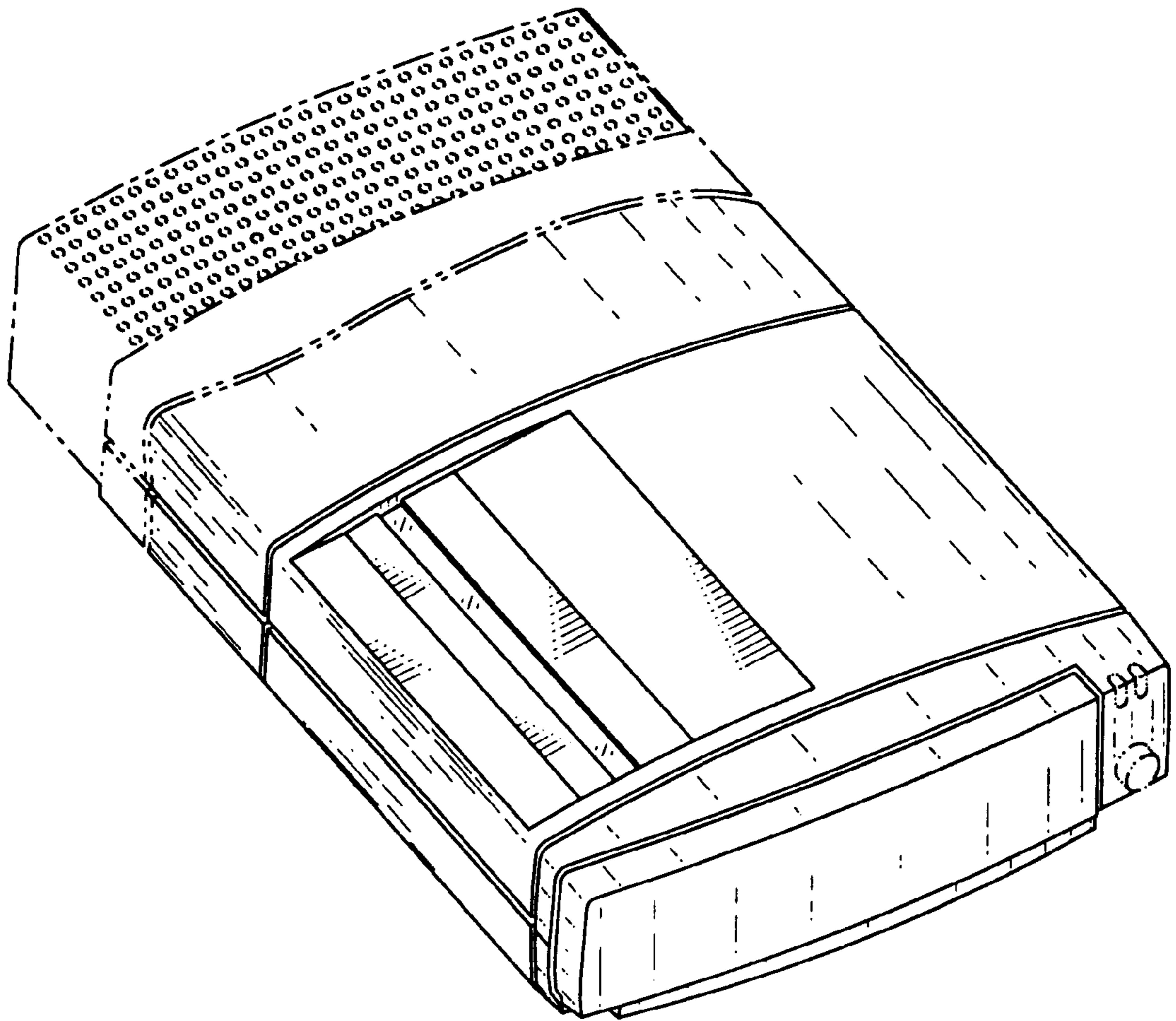


FIG. 1

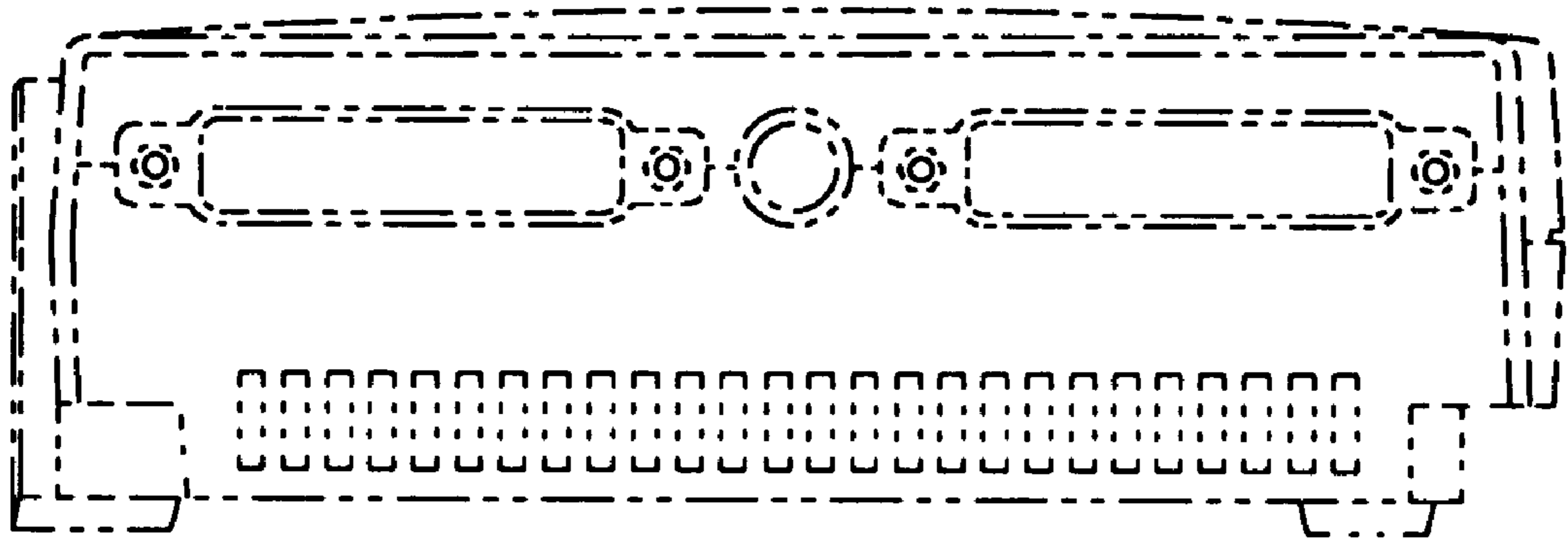


FIG. 2

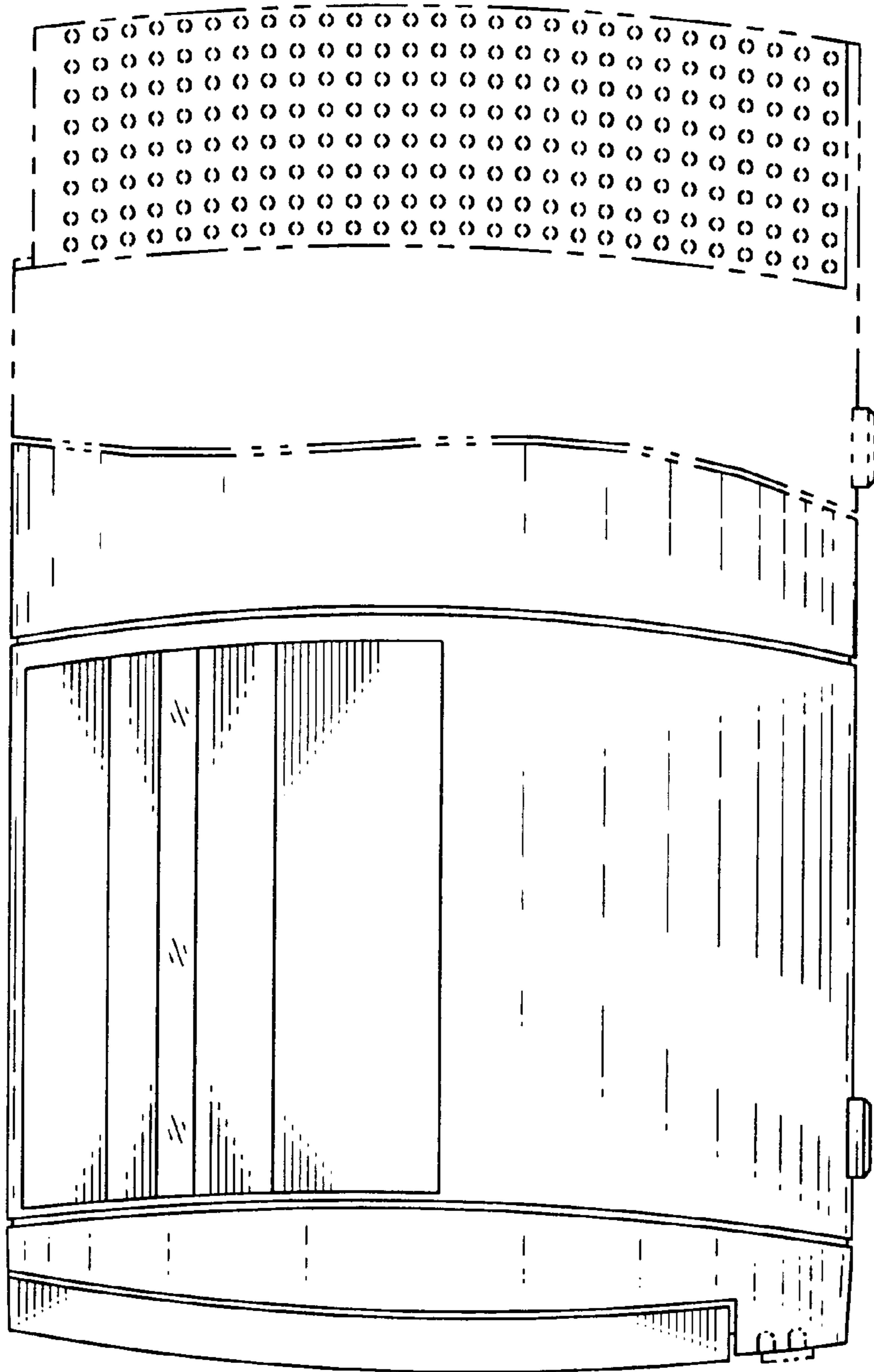


FIG. 3

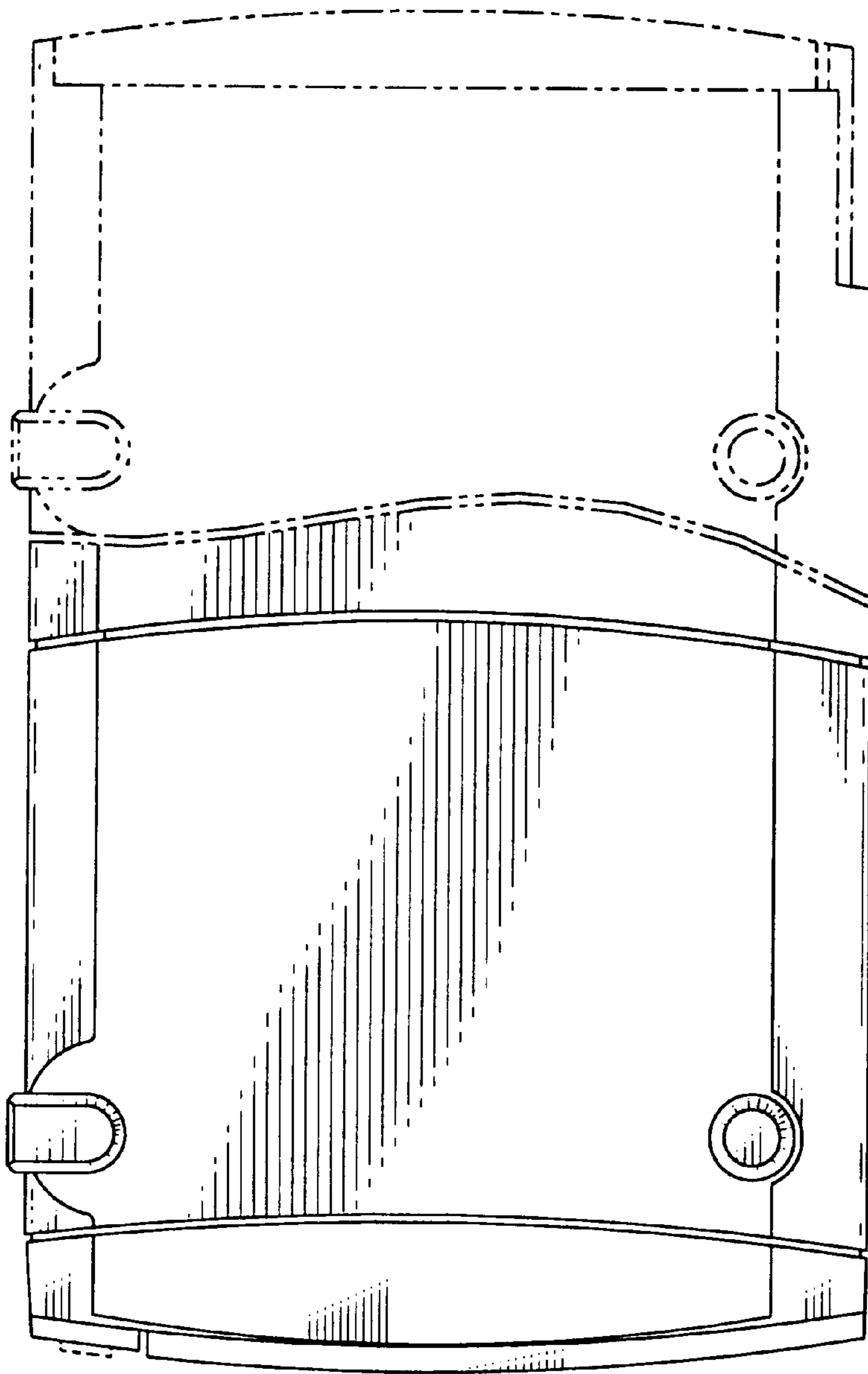


FIG. 4

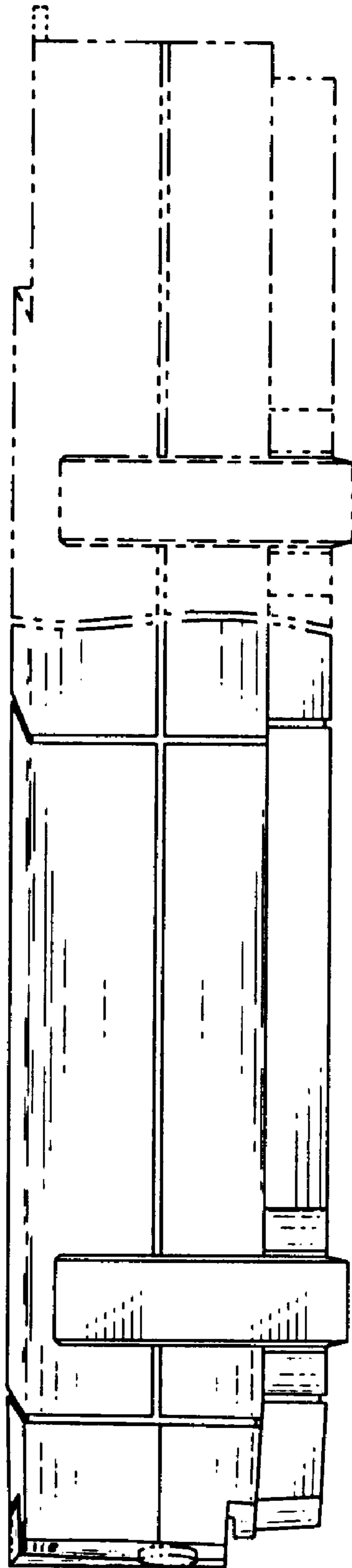


FIG. 5

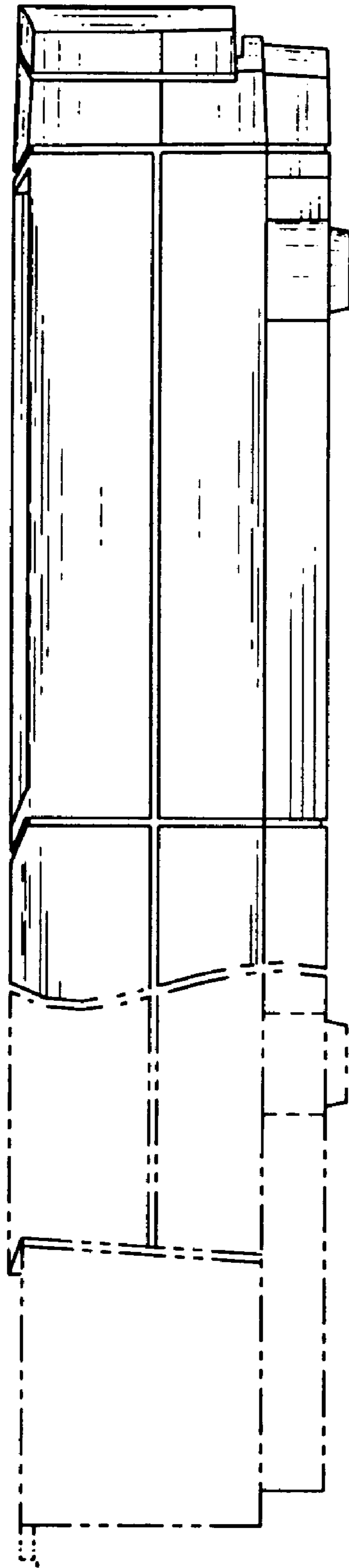


FIG. 6

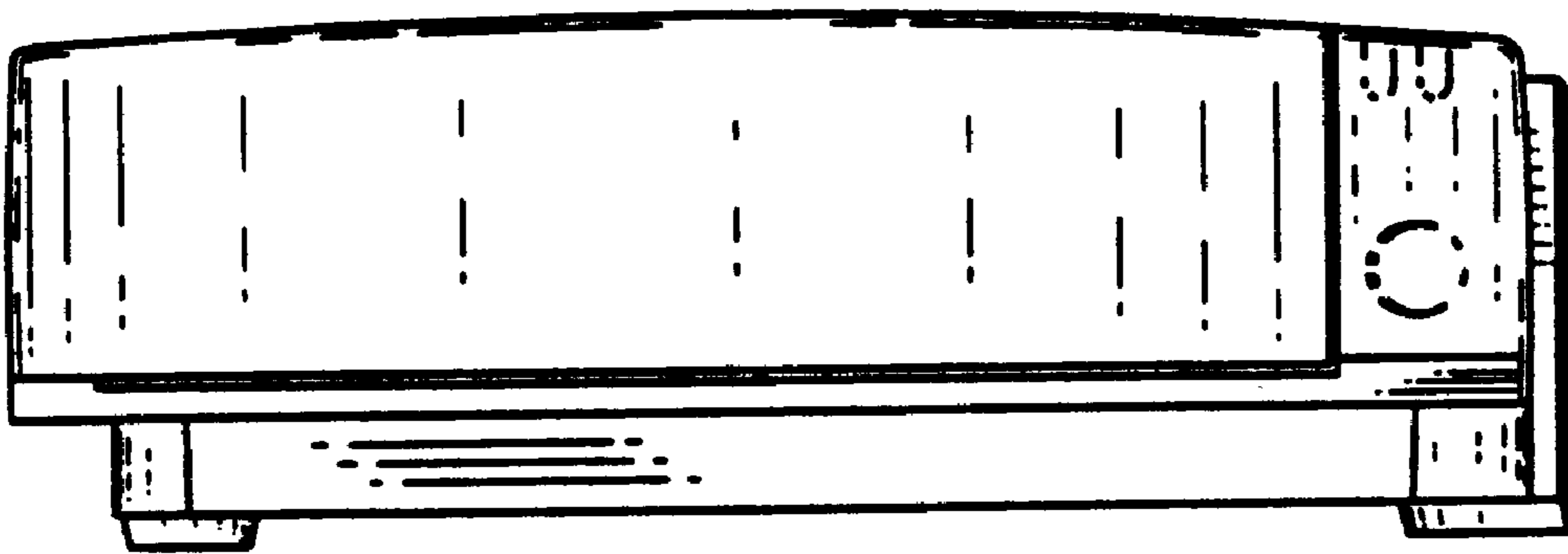


FIG. 7