



US00D421246S

United States Patent [19]

[11] Patent Number: Des. 421,246

Mayo et al.

[45] Date of Patent: ** Feb. 29, 2000

[54] LIGHTING CONTROL PANEL

[75] Inventors: Noel Mayo, Philadelphia; Robert E. Weinberg, Fogelsville; Joel S. Spira, Coopersburg, all of Pa.

[73] Assignee: Lutron Electronics, Co., Inc., Pa.

[**] Term: 14 Years

[21] Appl. No.: 29/096,451

[22] Filed: Nov. 12, 1998

[51] LOC (6) Cl. 13-03

[52] U.S. Cl. D13/162

[58] Field of Search D13/158, 162, D13/164, 169, 170, 171, 174, 177; D8/350-353; 174/48, 52.1, 66; 200/42.01, 237, 293, 308, 310, 313-314, 329, 331, 341; 338/68, 152, 163, 184, 226; 361/620, 627

[56] References Cited

U.S. PATENT DOCUMENTS

D. 311,485	10/1990	Jacoby et al.	D13/171	X
D. 311,678	10/1990	Graef et al.	D13/171	X
D. 315,546	3/1991	Mongeau	D13/170	
D. 327,657	7/1992	Marcou et al.	D13/170	X
D. 353,798	12/1994	Bryde et al.	D13/169	
D. 378,814	4/1997	Adams et al.	D13/164	
D. 380,737	7/1997	Weir et al.	D13/162	

Primary Examiner—Brian N. Vinson

Attorney, Agent, or Firm—Ostrolenk, Faber, Gerb & Soffen, LLP

[57] CLAIM

The ornamental design for a lighting control panel, as shown and described.

DESCRIPTION

FIG. 1 is a top plan view of a first embodiment of a lighting control panel showing my new design; FIG. 2 is a front elevational view thereof; FIG. 3 is a bottom plan view thereof; FIG. 4 is a left side elevational view thereof; FIG. 5 is a right side elevational view thereof;

FIG. 6 is a bottom, front, and left side perspective view thereof;

FIG. 7 is a top plan view of a second embodiment of a lighting control panel showing my new design;

FIG. 8 is a front elevational view thereof;

FIG. 9 is a bottom plan view thereof;

FIG. 10 is a left side elevational view thereof;

FIG. 11 is a right side elevational view thereof;

FIG. 12 is a bottom, front, and left side perspective view thereof;

FIG. 13 is an enlarged and inverted top, front, and right side perspective view of the pair of buttons common to the first two embodiments thereof, with the remaining elements omitted for clarity of illustration;

FIG. 14 is an enlarged top, front and left side perspective view of the pair of buttons common to the first two embodiments thereof;

FIG. 15 is a further enlarged front elevational view of the lower of the two buttons common to all six embodiments thereof, with the remaining elements omitted for clarity of illustration;

FIG. 16 is a further enlarged left side elevational view of the lower of the two buttons common to all six embodiments thereof;

FIG. 17 is a further enlarged right side elevational view of the lower of the two buttons common to all six embodiments thereof;

FIG. 18 is a further enlarged vertical cross-sectional view of the lower of the two buttons common to all six embodiments thereof, taken along line 18—18 of FIG. 15;

FIG. 19 is a top plan view of a third embodiment of a lighting control panel showing my new design;

FIG. 20 is a front elevational view thereof;

FIG. 21 is a bottom plan view thereof;

FIG. 22 is a left side elevational view thereof;

FIG. 23 is a right side elevational view thereof;

FIG. 24 is a bottom, front, and left side perspective view thereof;

FIG. 25 is a top plan view of a fourth embodiment of a lighting control panel showing my new design;

FIG. 26 is a front elevational view thereof;

FIG. 27 is a bottom plan view thereof;

FIG. 28 is a left side elevational view thereof;

FIG. 29 is a right side elevational view thereof;

FIG. 30 is a bottom, front, and left side perspective view thereof;

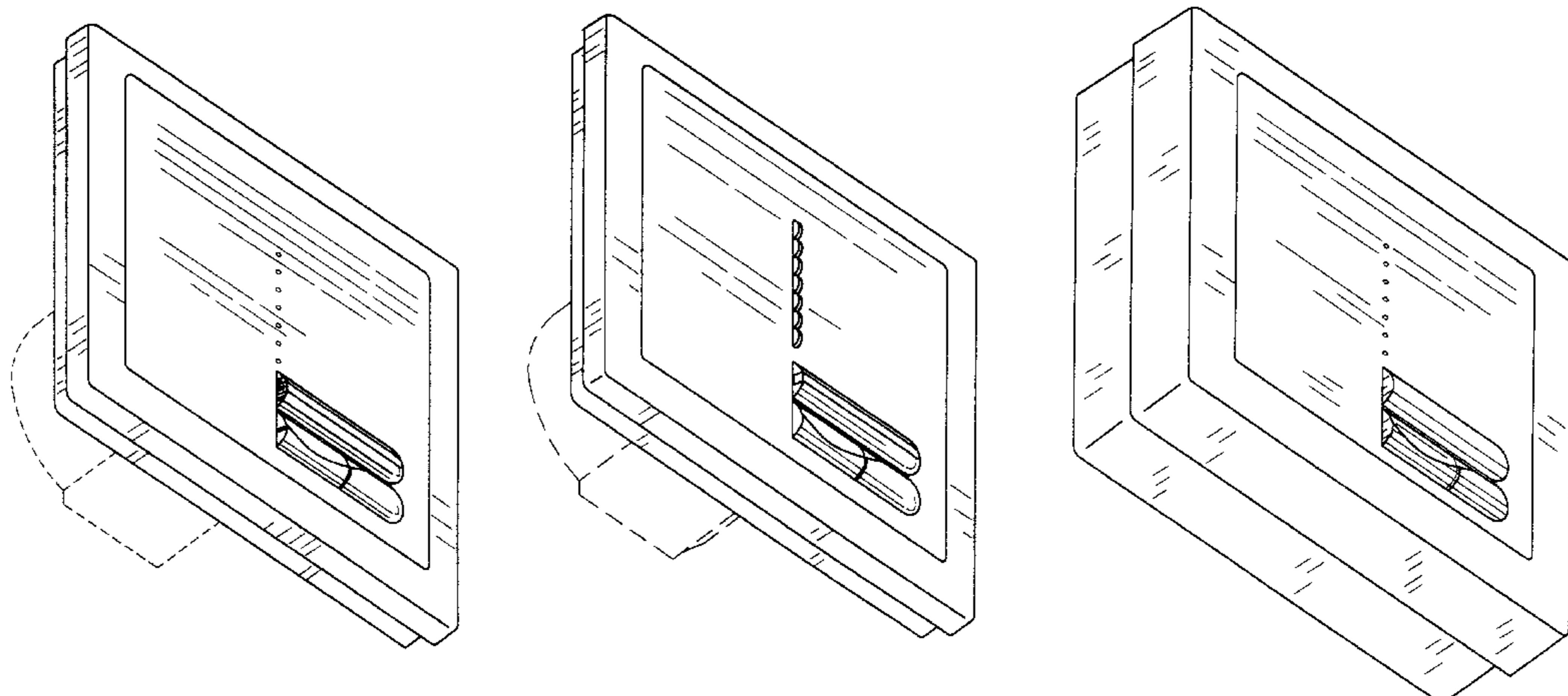


FIG. 31 is an enlarged and inverted top, front, and right side perspective view of the pair of buttons common to the second and third embodiments thereof, with the remaining elements omitted for clarity of illustration;

FIG. 32 is an enlarged top, front and left side perspective view of the pair of buttons common to the second and third embodiments thereof;

FIG. 33 is a top plan view of a fifth embodiment of a lighting control panel showing my new design;

FIG. 34 is a front elevational view thereof;

FIG. 35 is a bottom plan view thereof;

FIG. 36 is a left side elevational view thereof;

FIG. 37 is a right side elevational view thereof;

FIG. 38 is a bottom, front, and left side perspective view thereof;

FIG. 39 is a top plan view of a sixth embodiment of a lighting control panel showing my new design;

FIG. 40 is a front elevational view thereof;

FIG. 41 is a bottom plan view thereof;

FIG. 42 is a left side elevational view thereof;

FIG. 43 is a right side elevational view thereof; and,

FIG. 44 is a bottom, front, and left side perspective view thereof.

The broken-line disclosure of various elements in the views is for illustrative purposes only and forms no part of the claimed design.

1 Claim, 15 Drawing Sheets

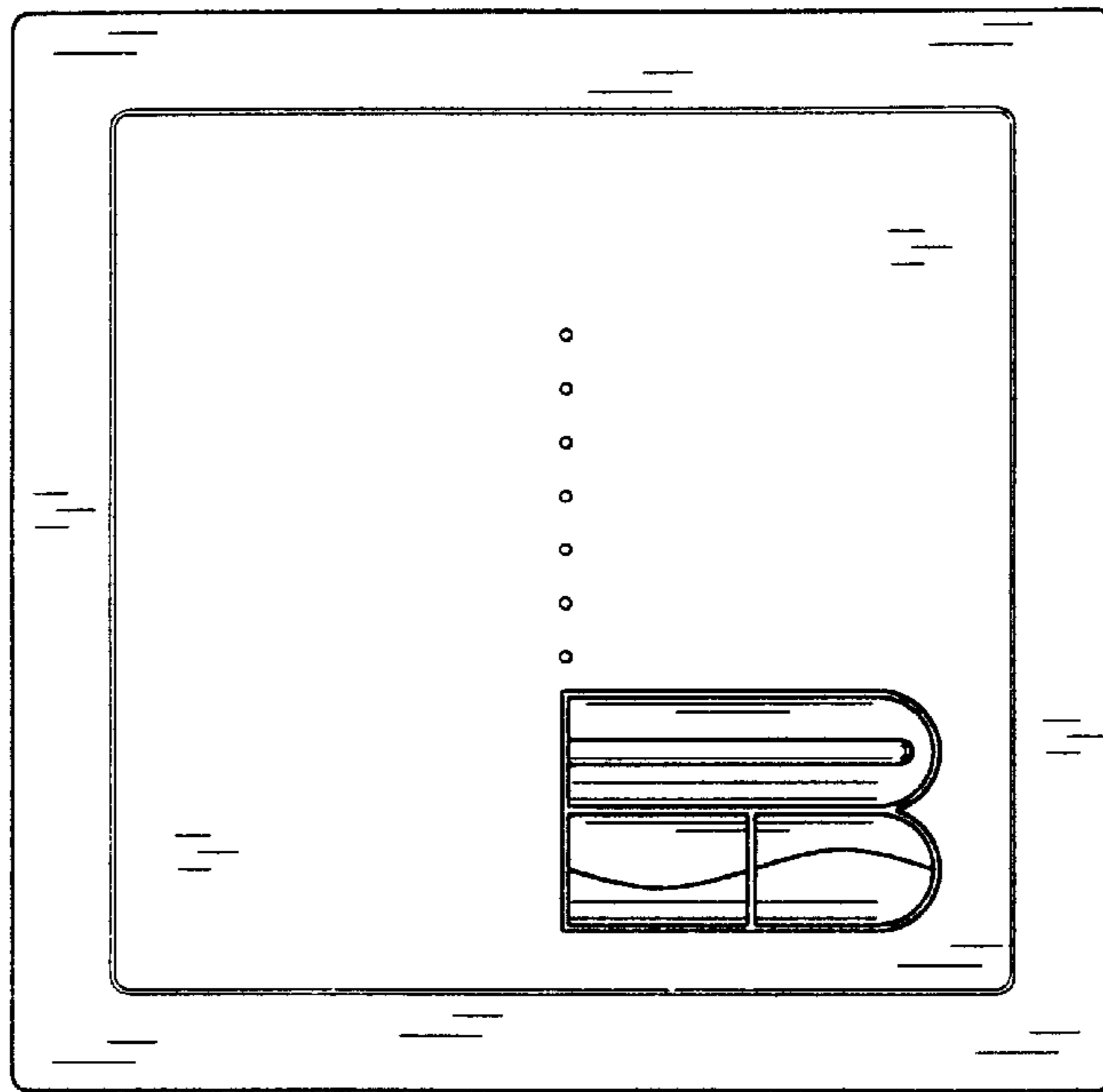


Fig. 2

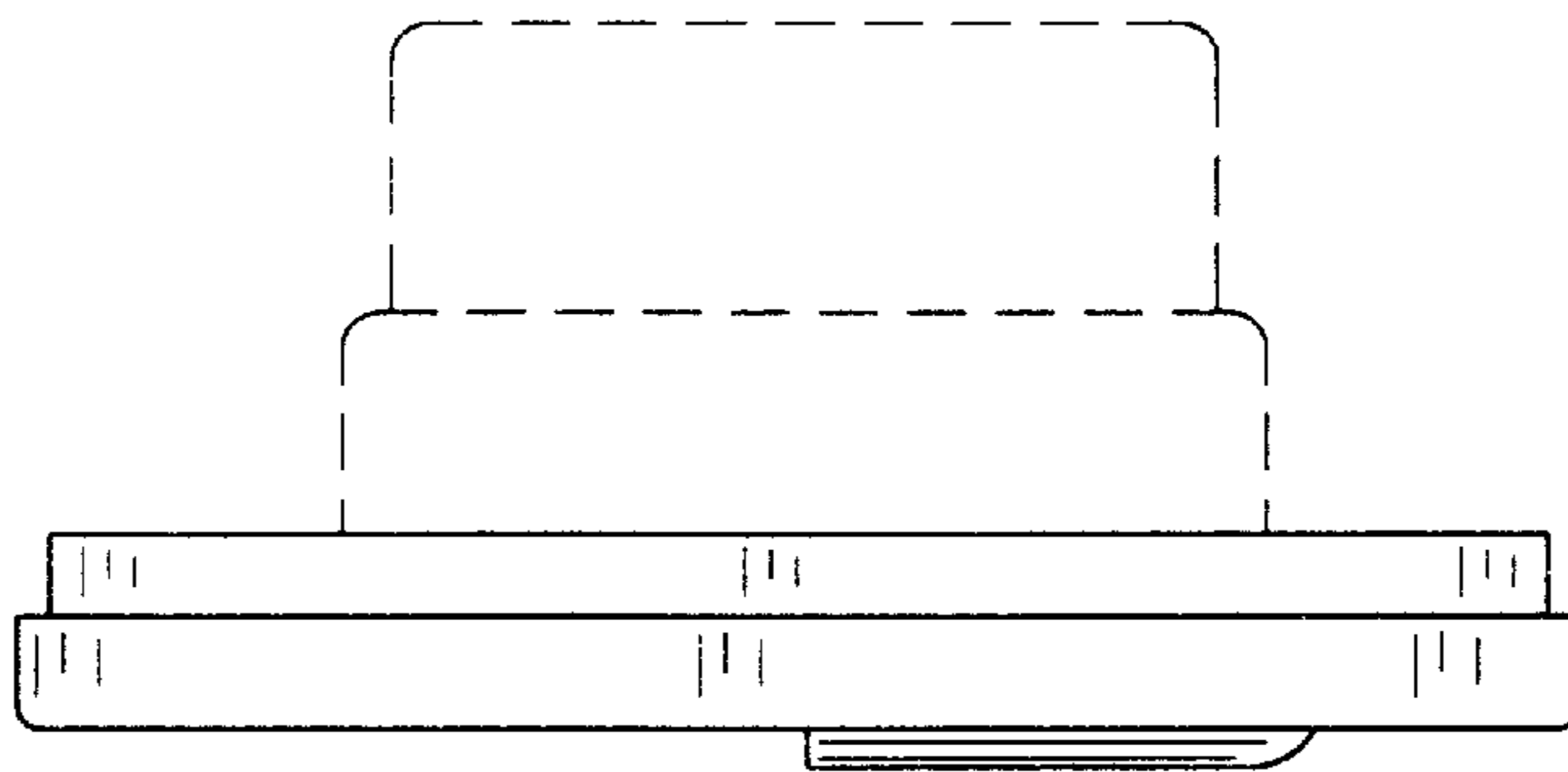


Fig. 1

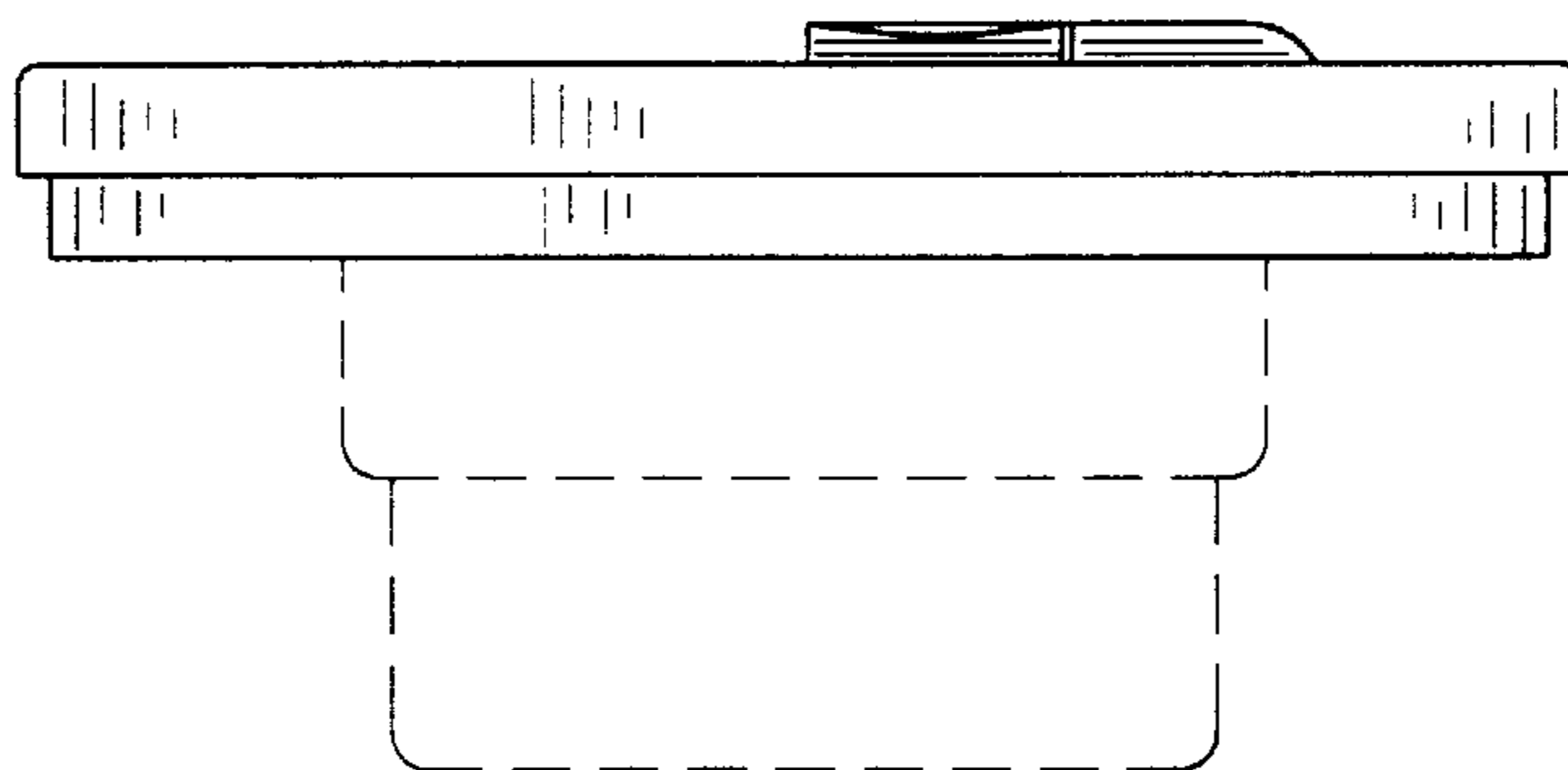


Fig. 3

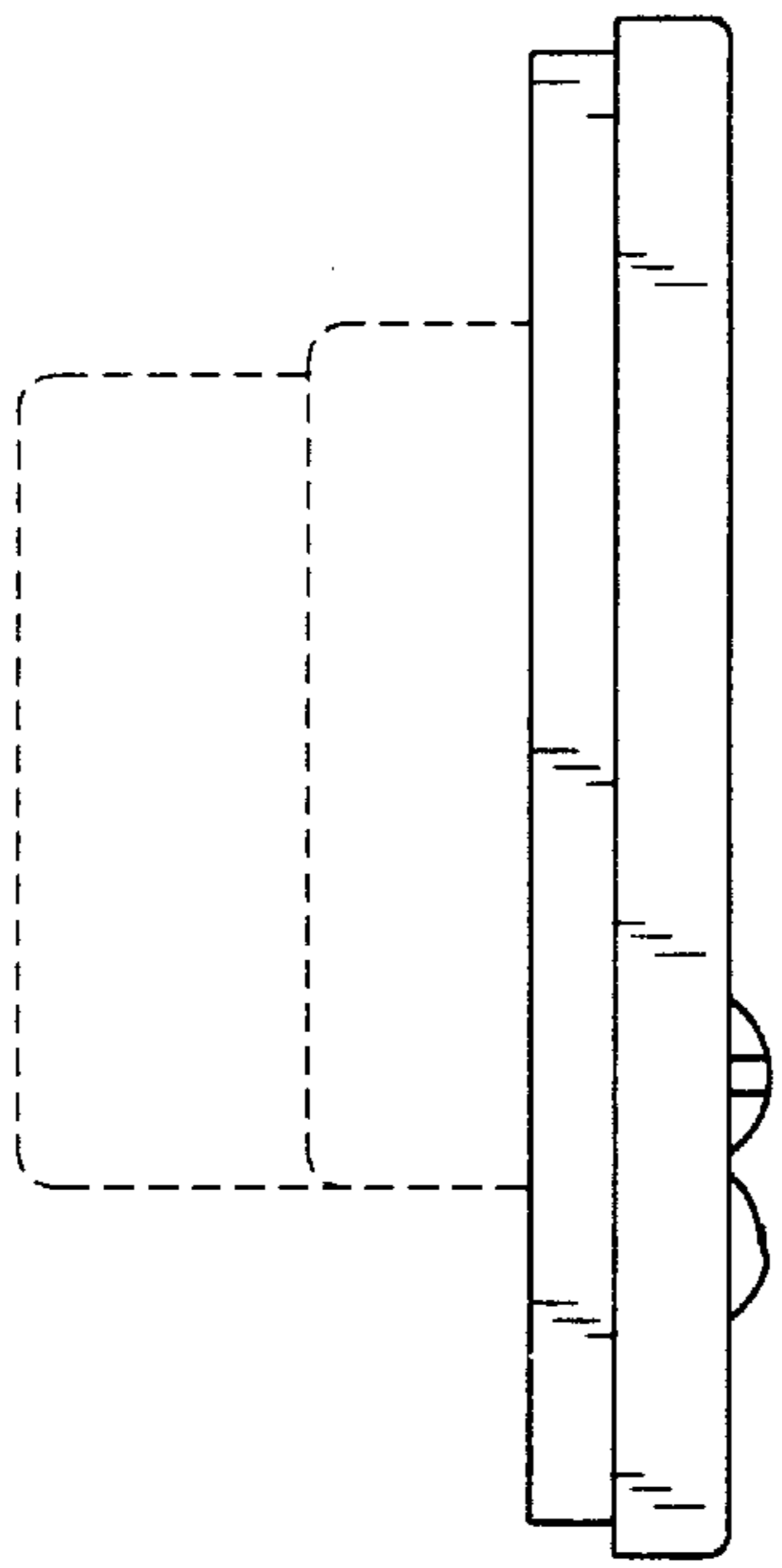


Fig. 4

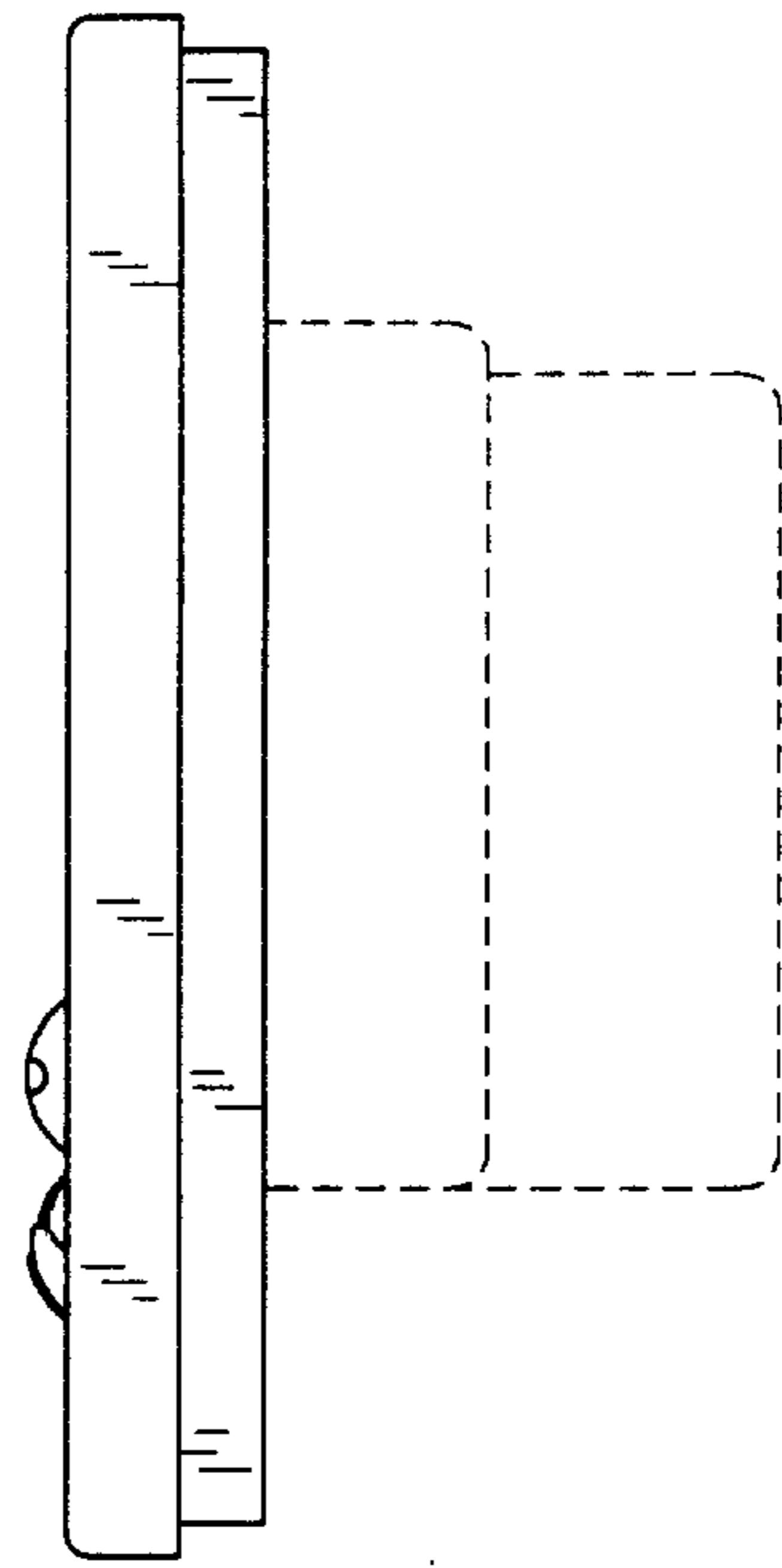


Fig. 5

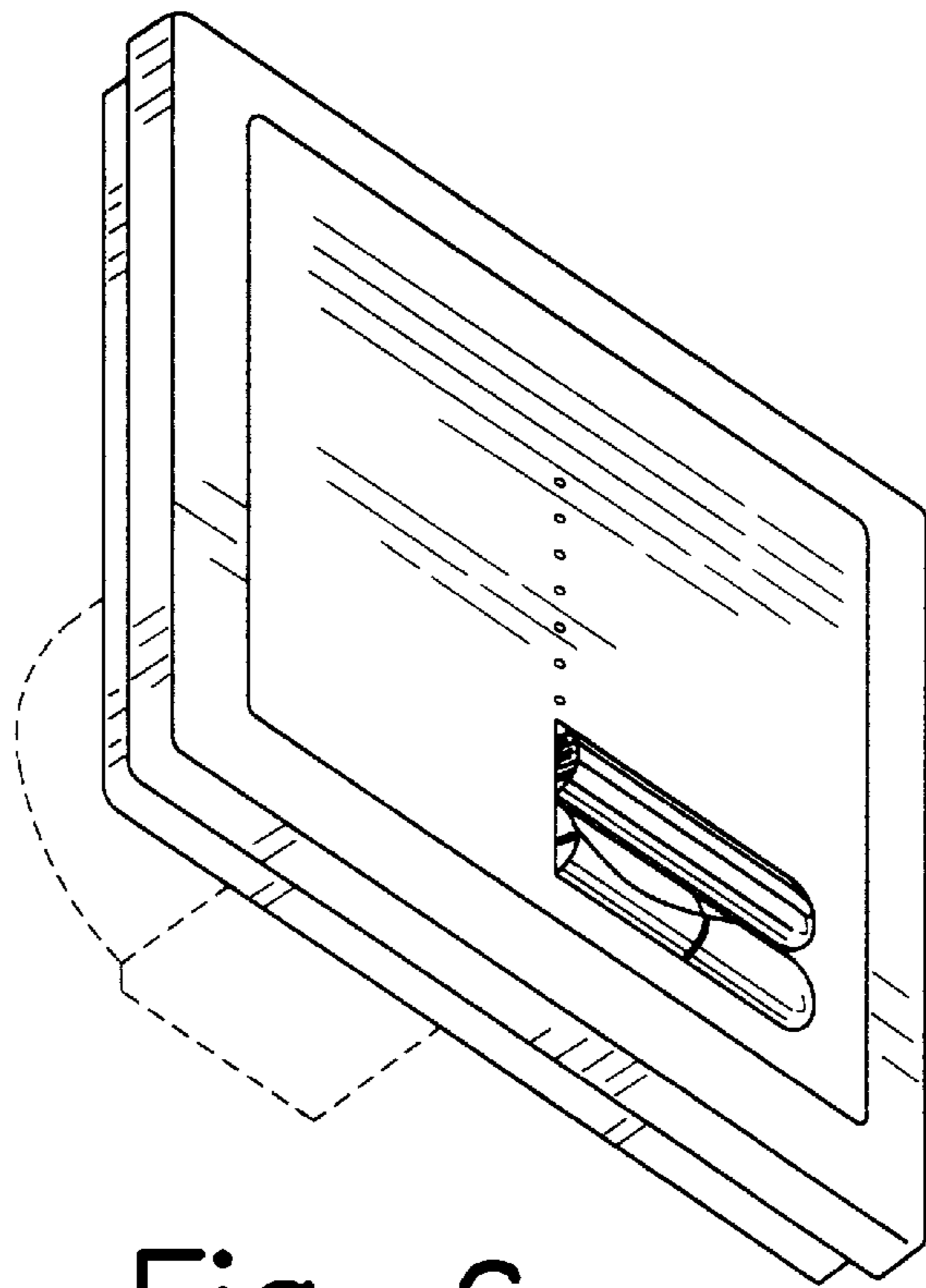


Fig. 6

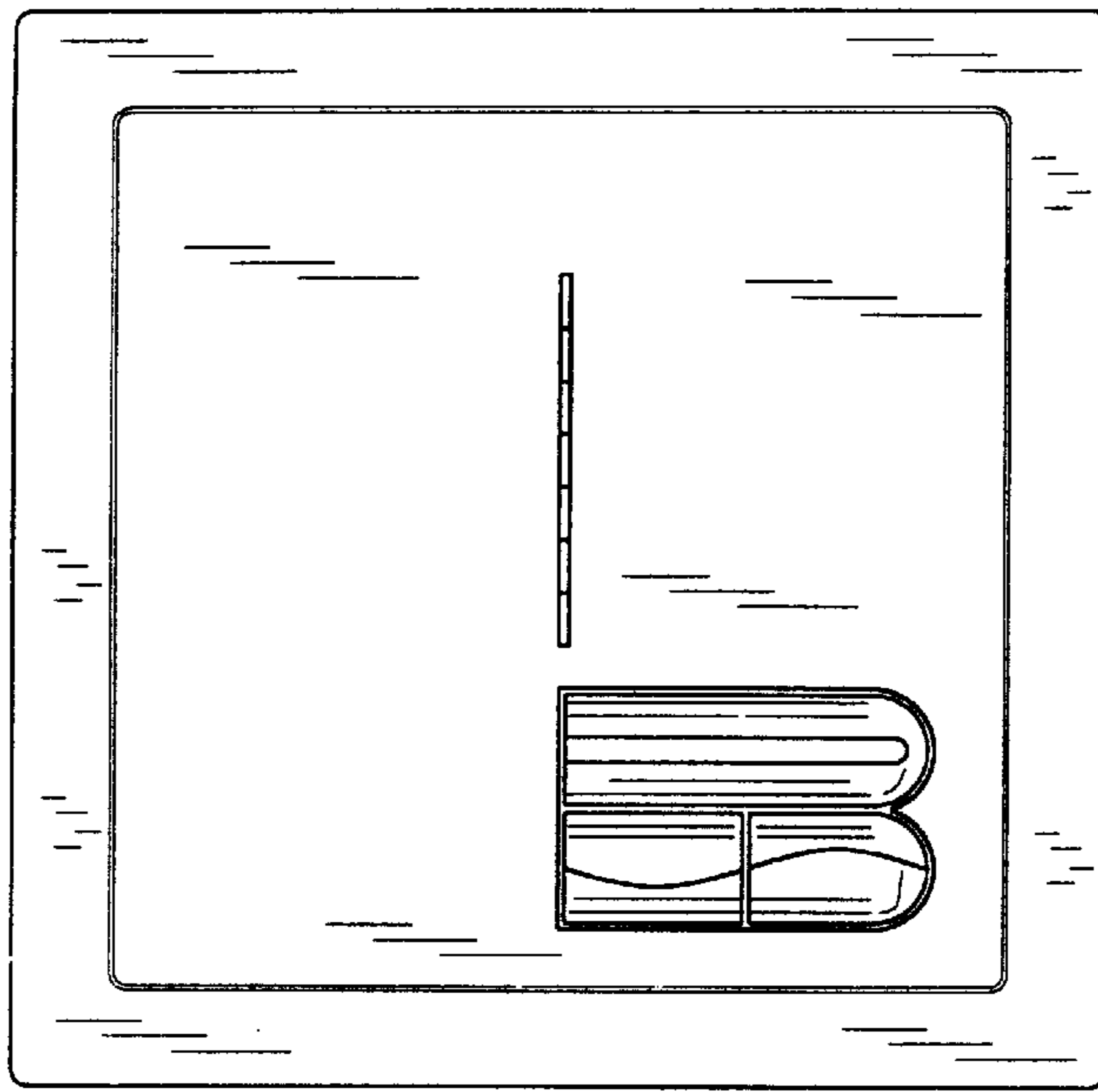


Fig. 8

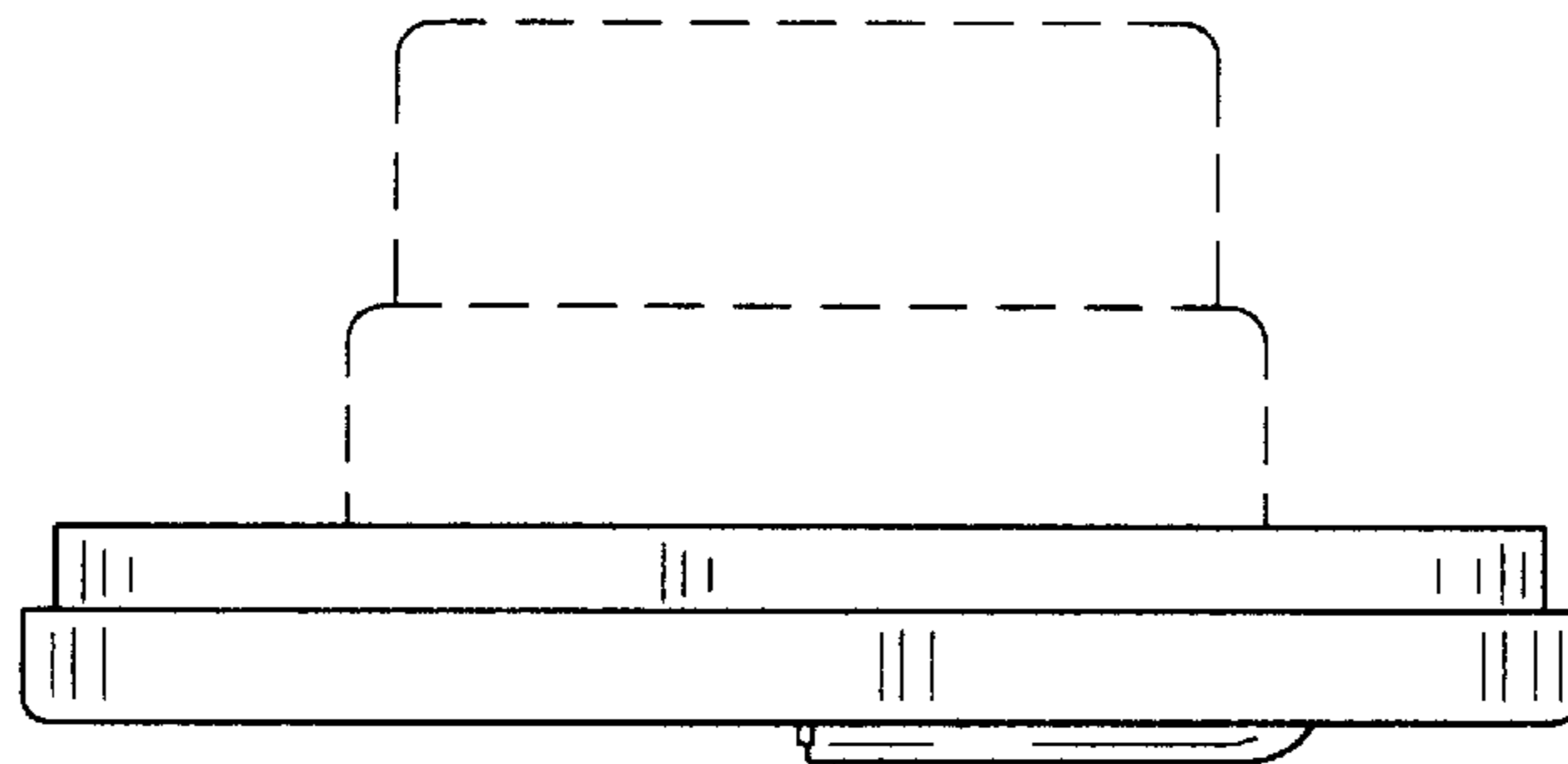


Fig. 7

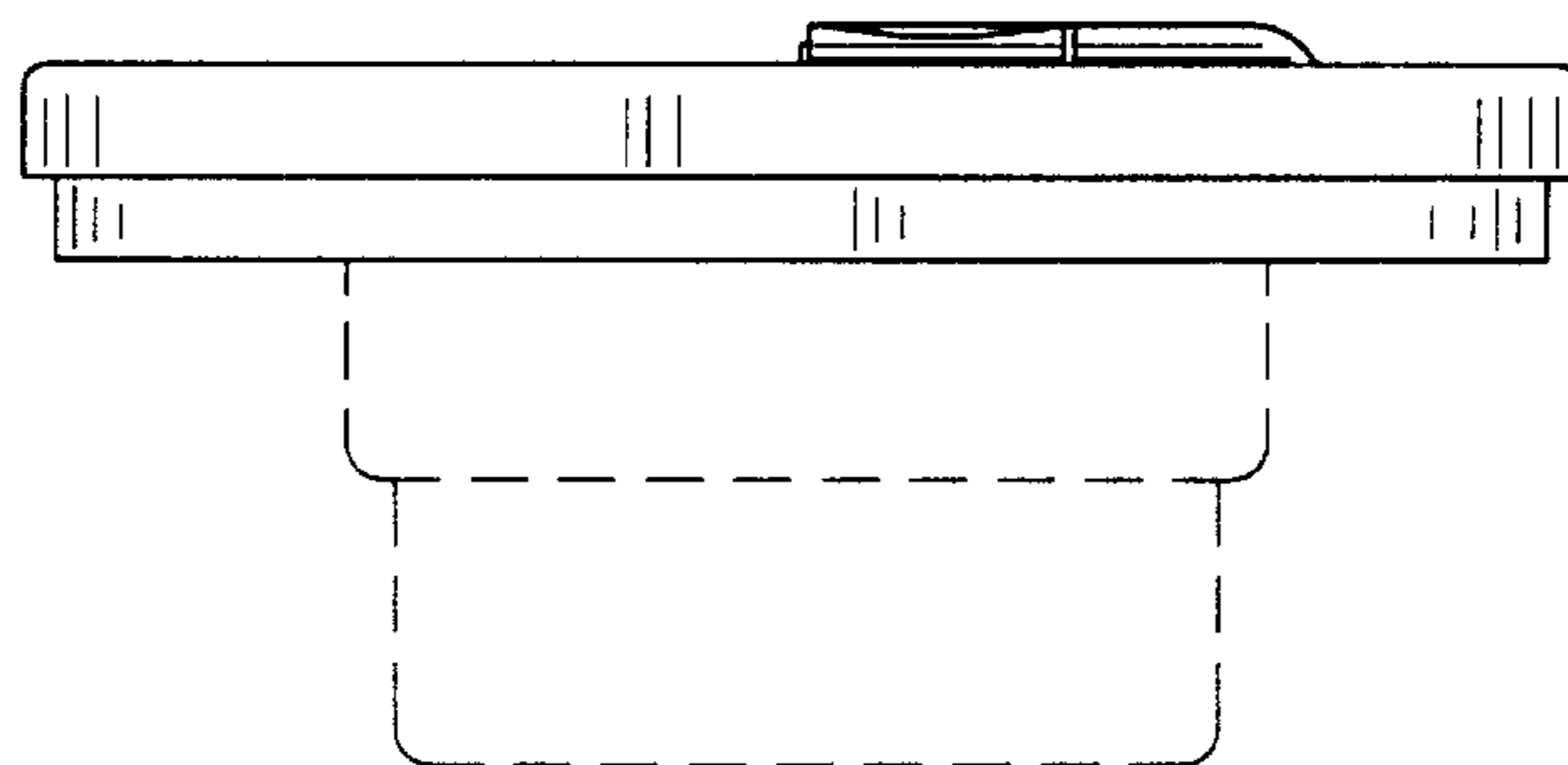


Fig. 9

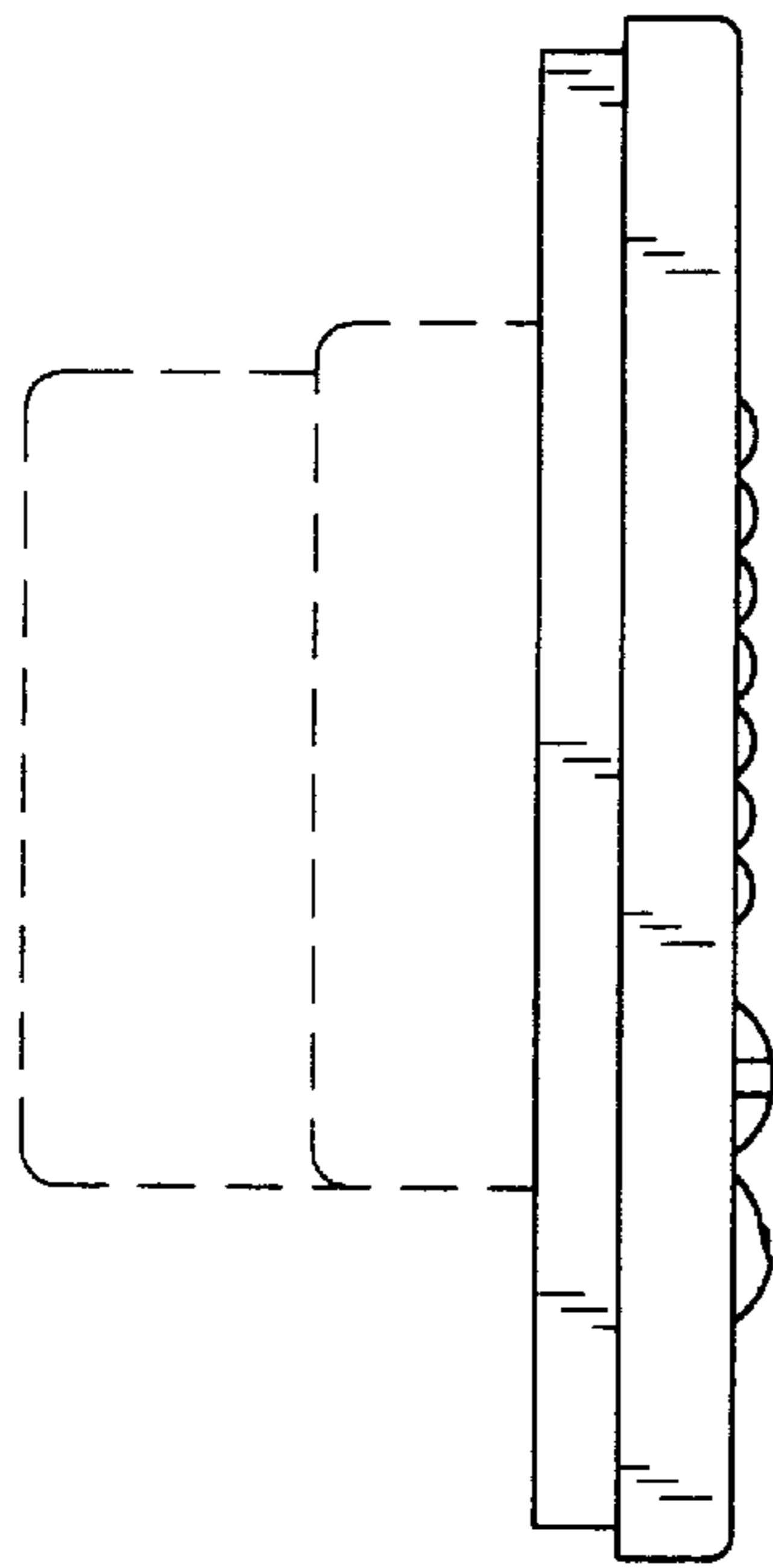


Fig. 10

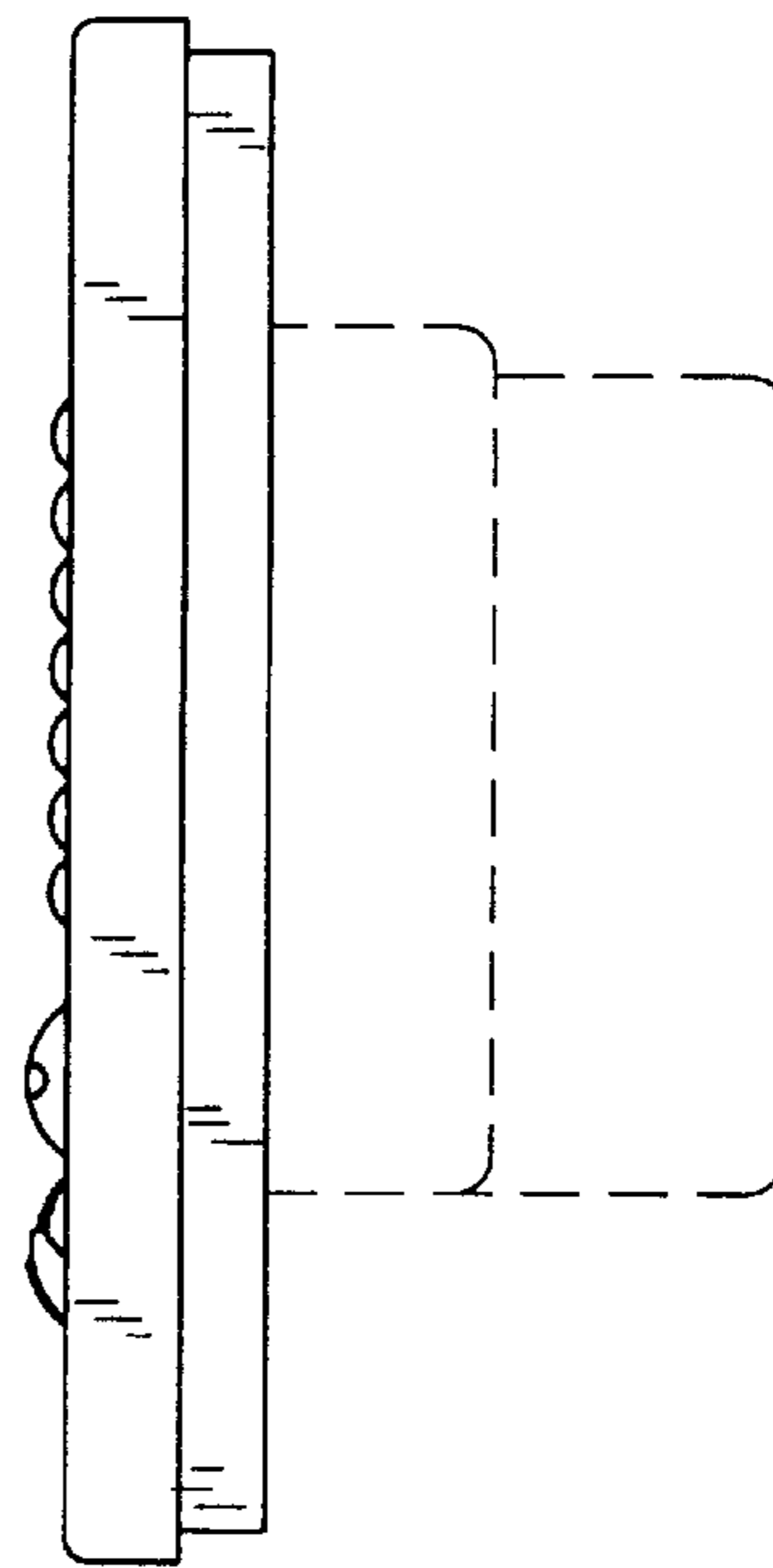


Fig. 11

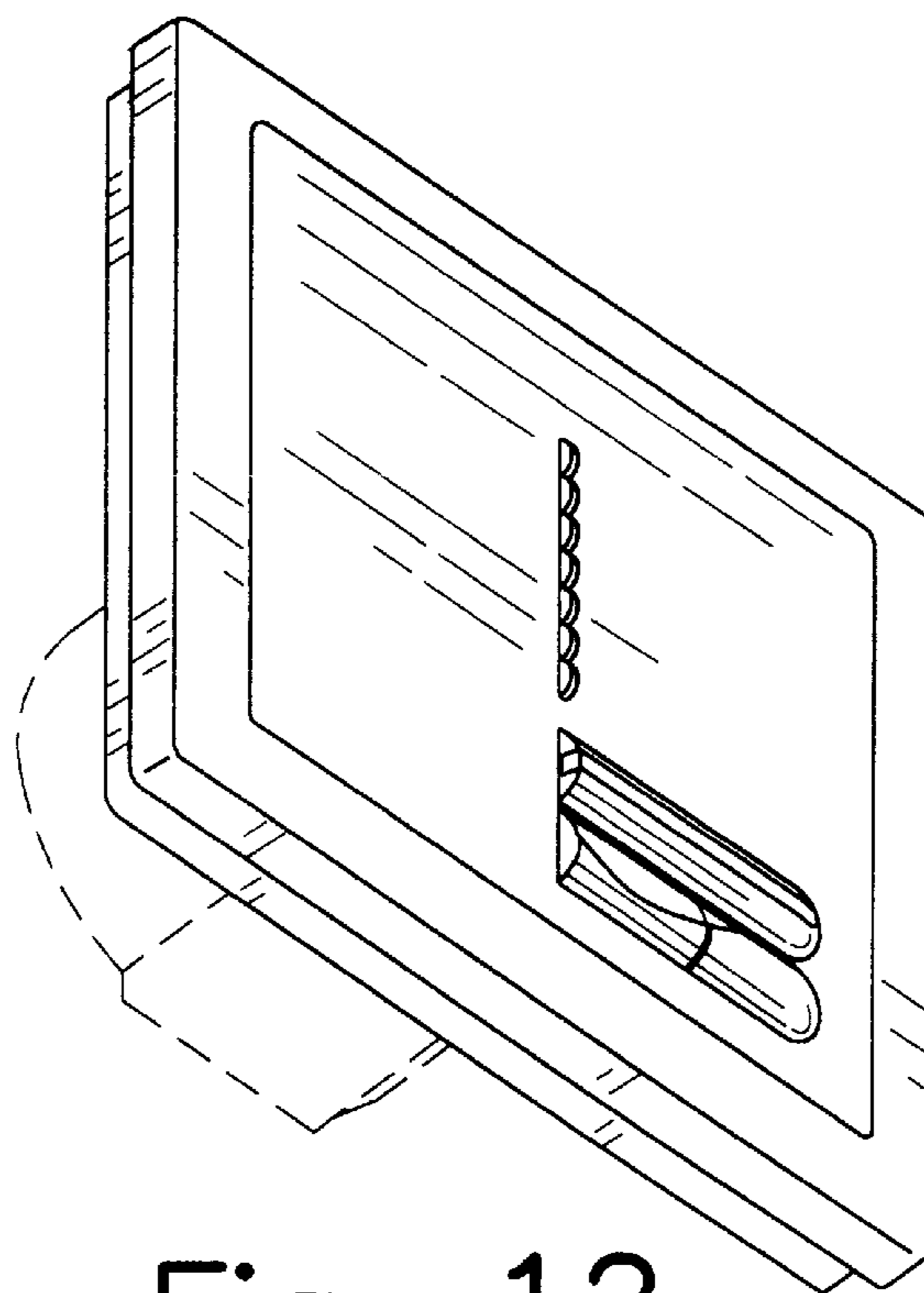


Fig. 12

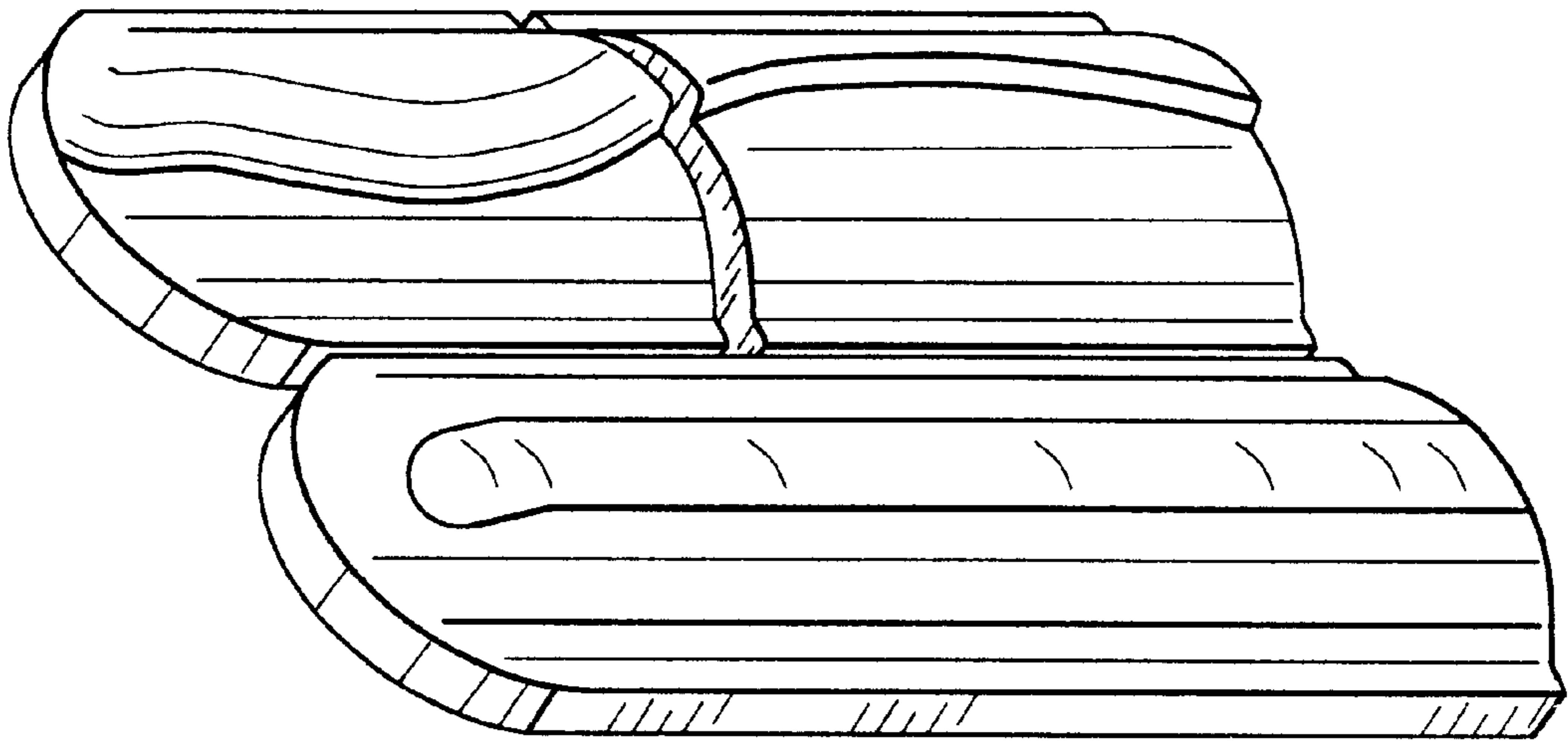


Fig. 13

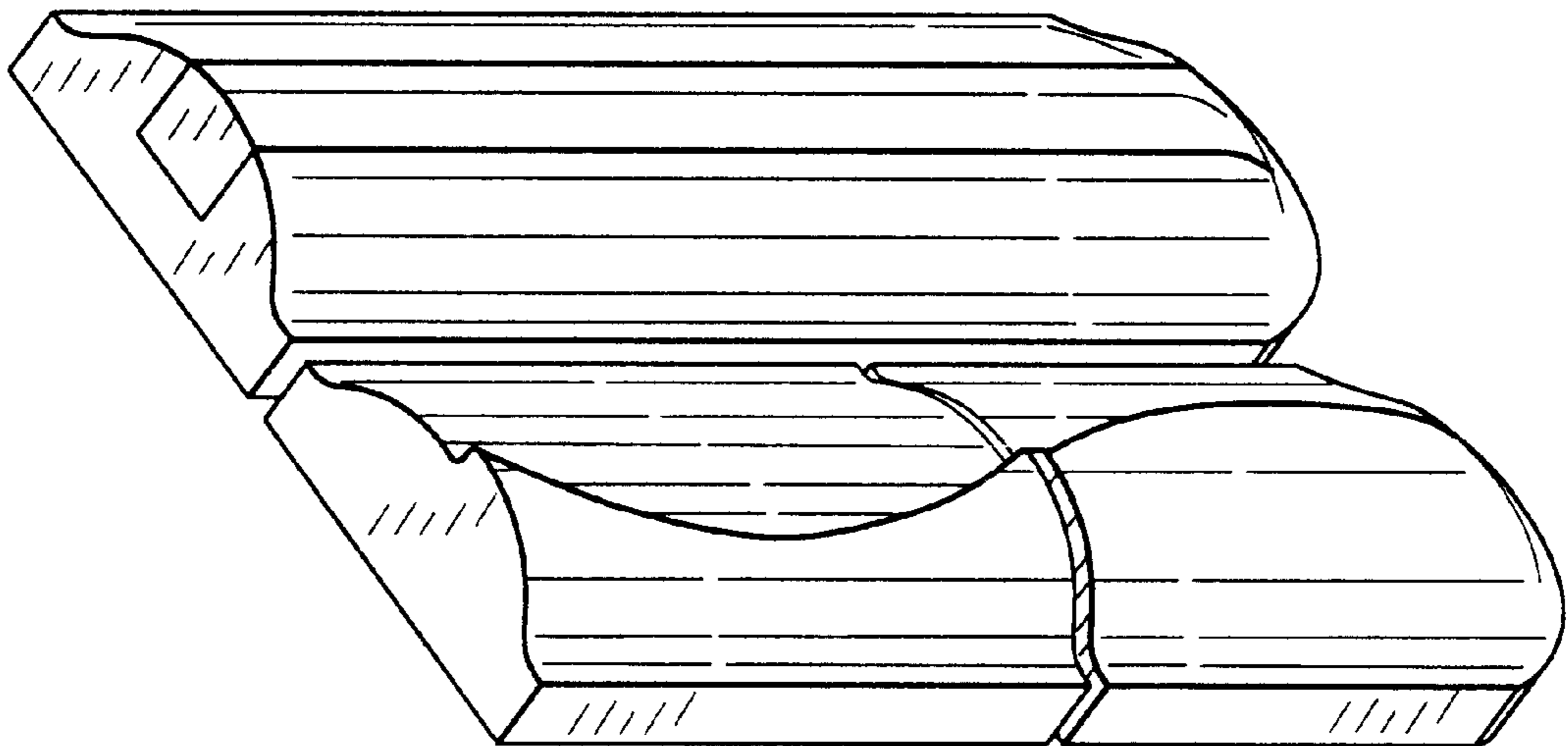


Fig. 14

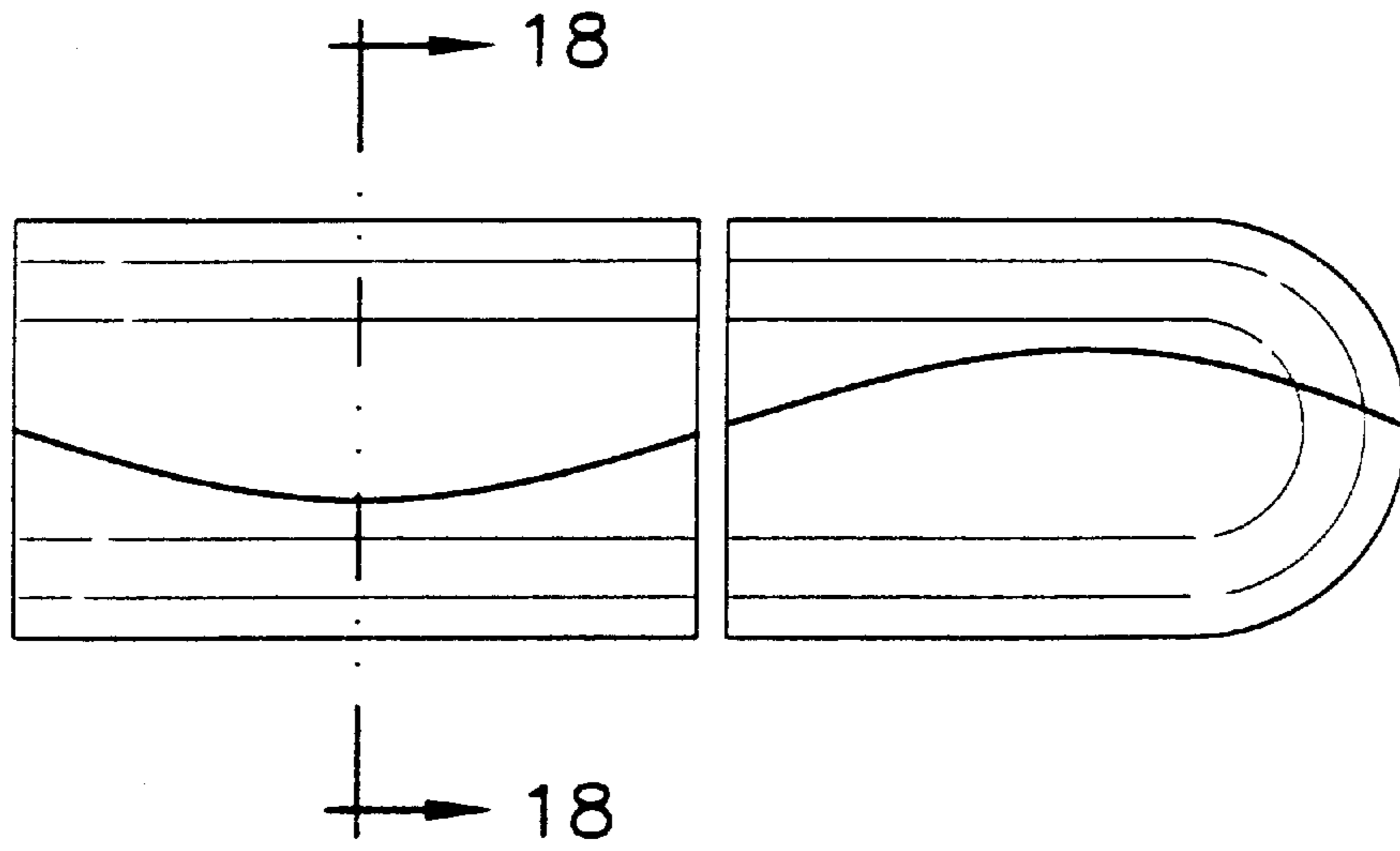


Fig. 15

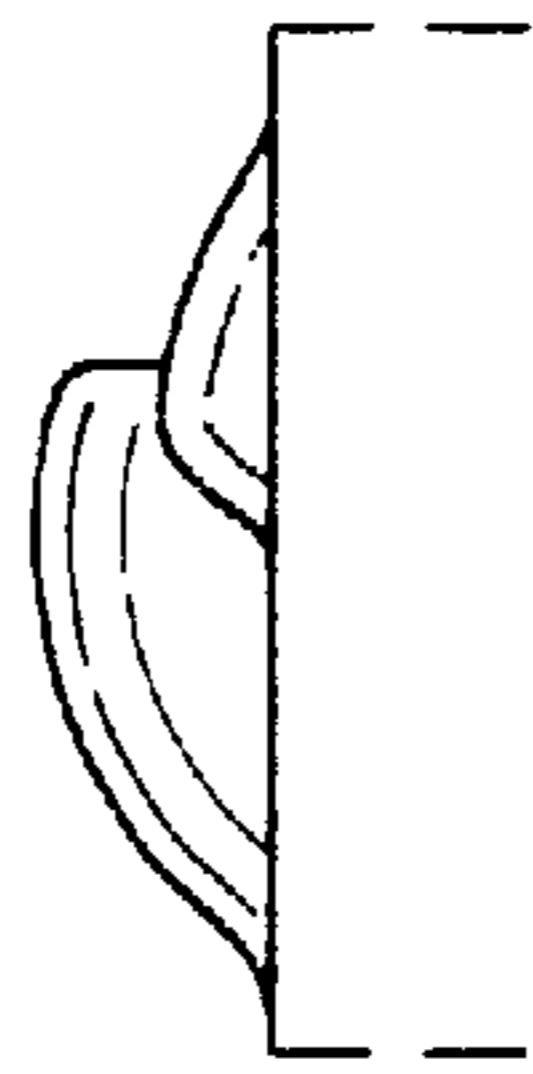


Fig. 17



Fig. 16



Fig. 18

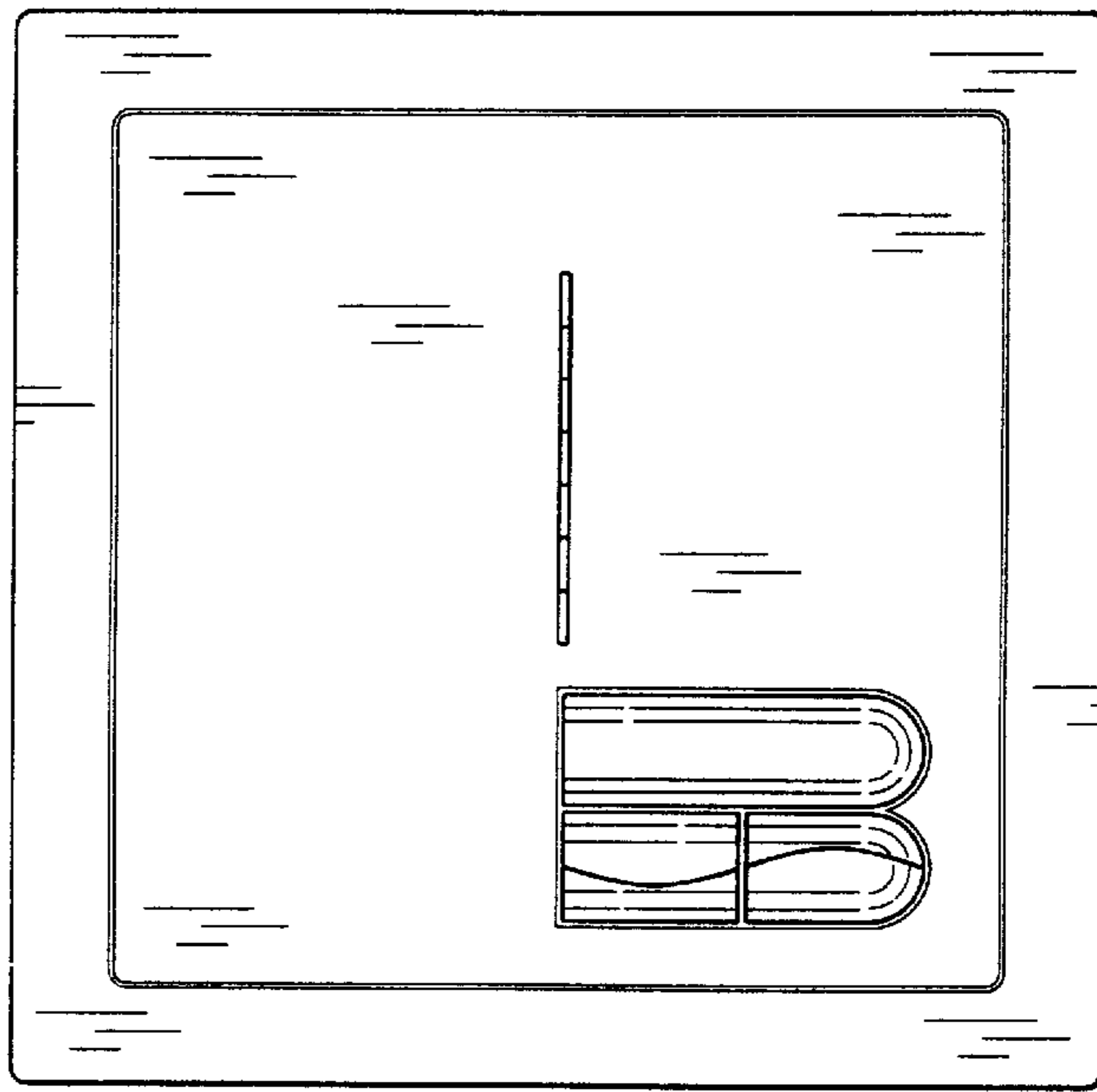


Fig. 20

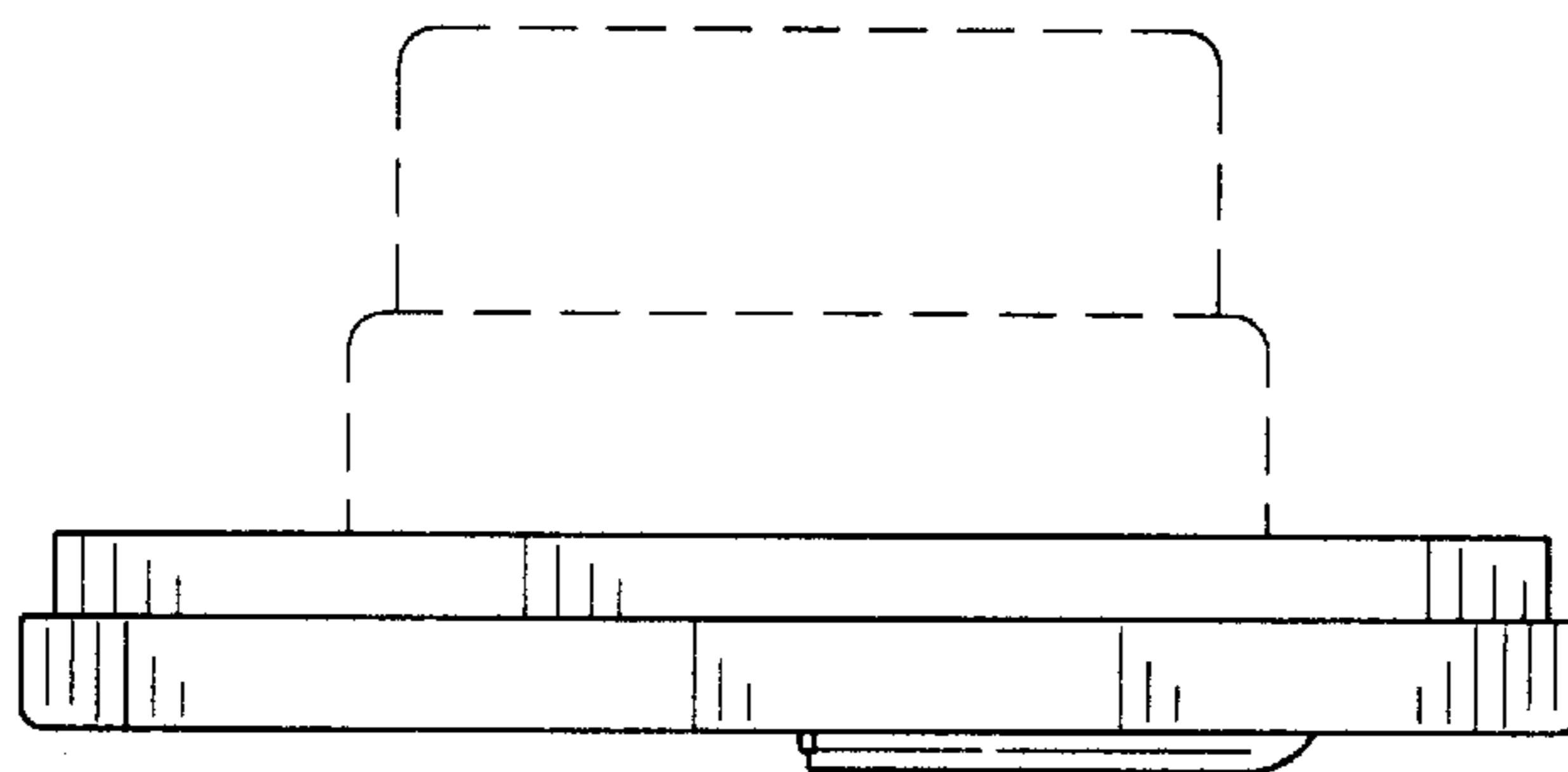


Fig. 19

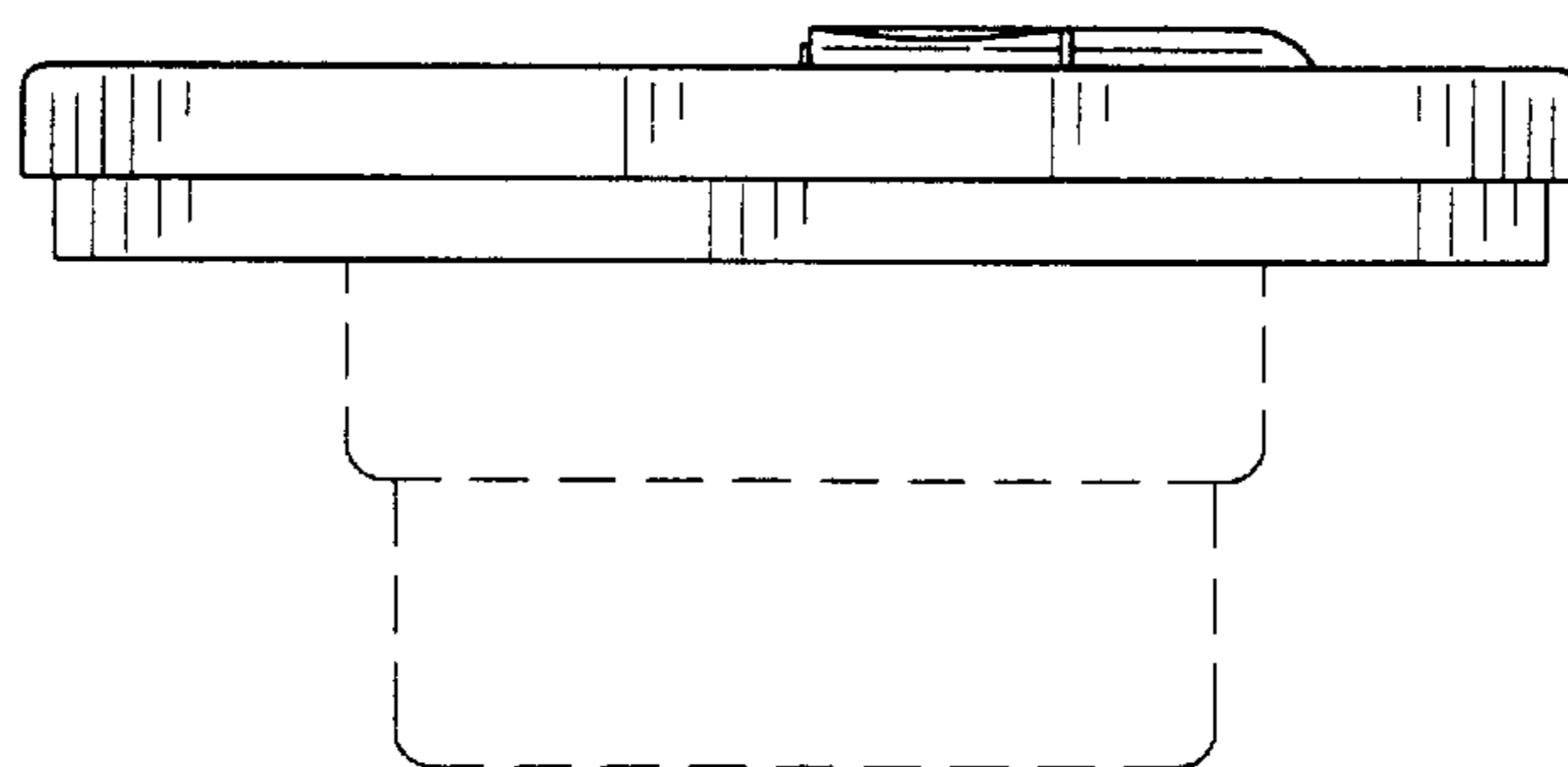


Fig. 21

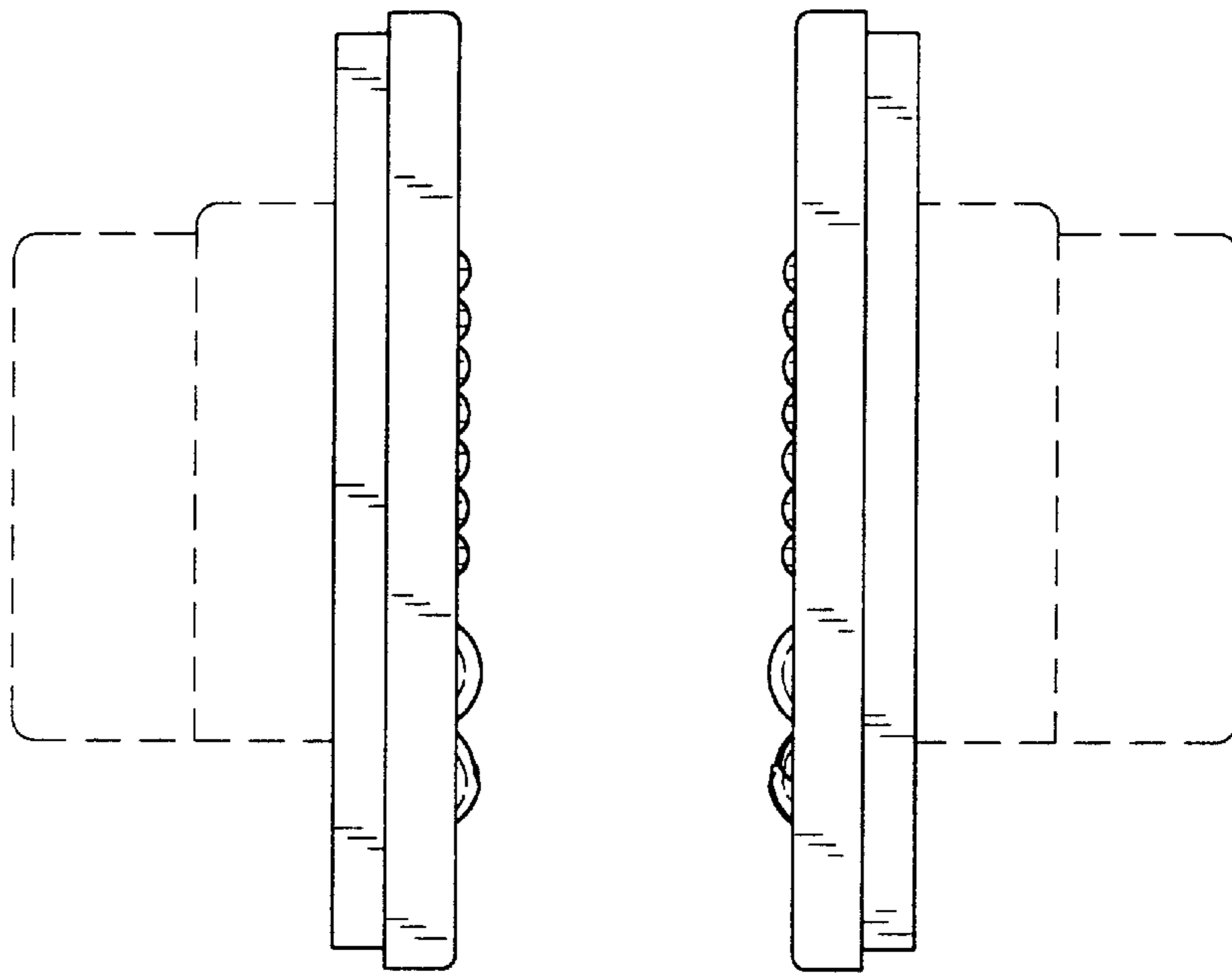


Fig. 22

Fig. 23

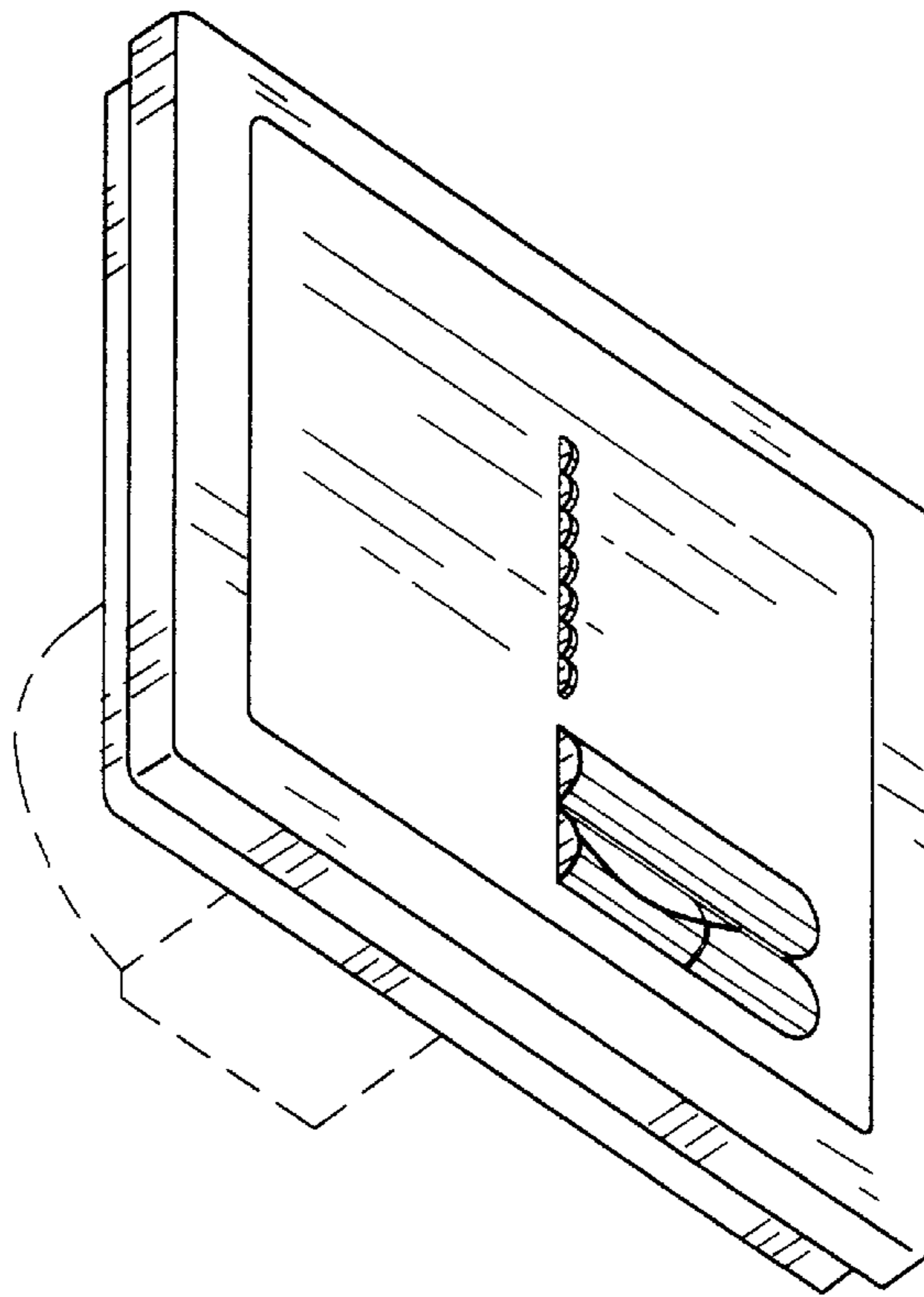


Fig. 24

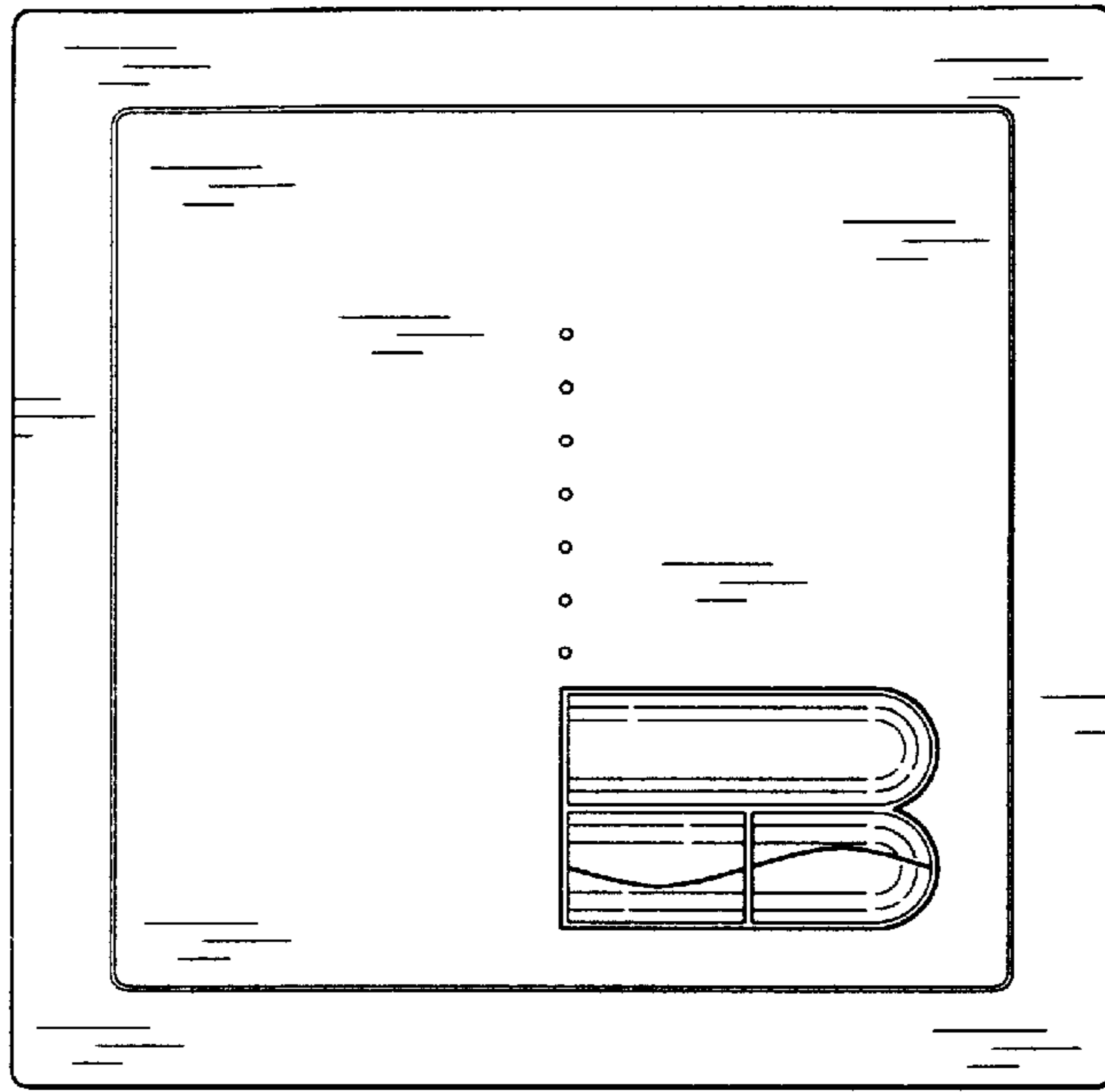


Fig. 26

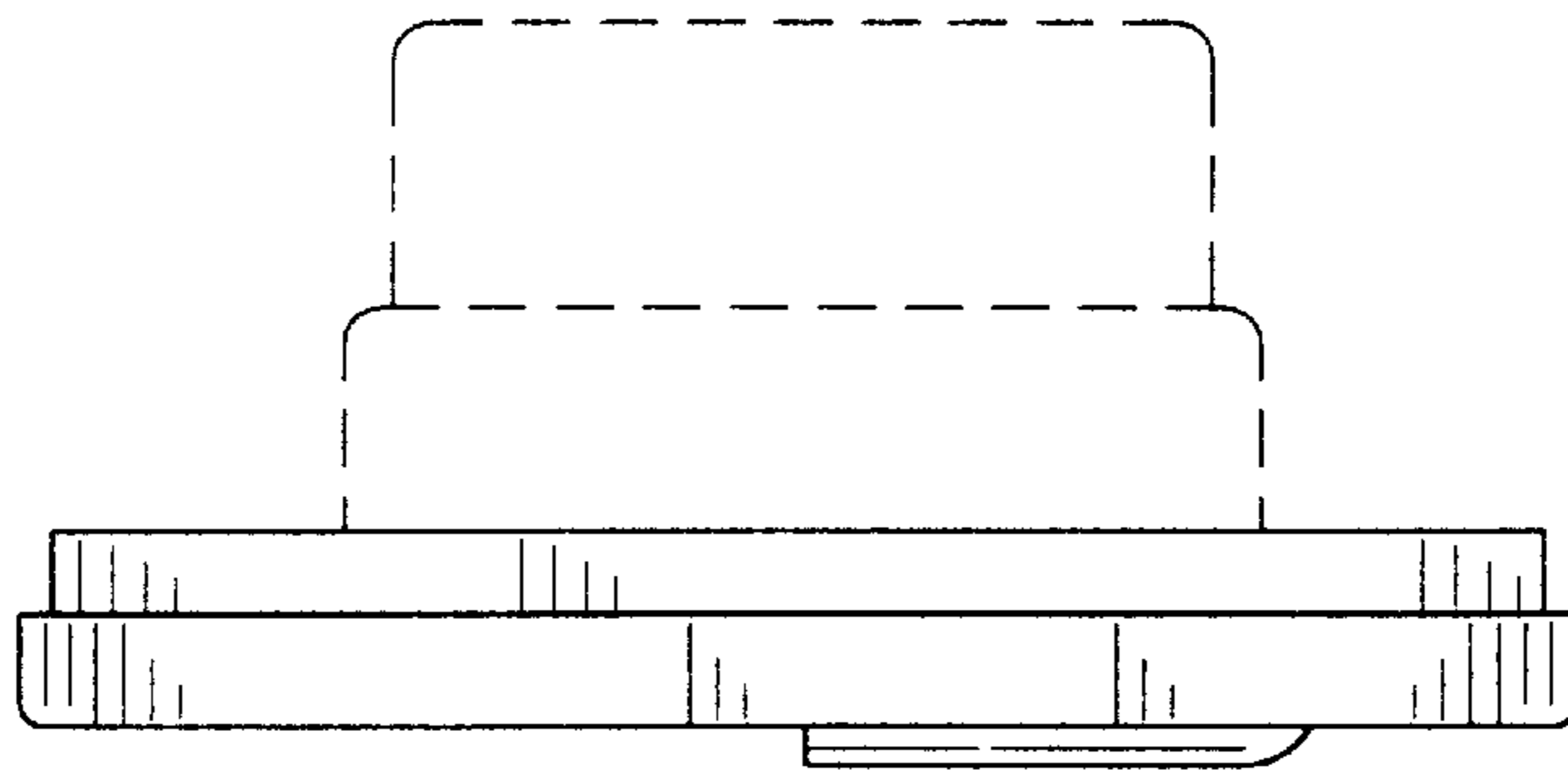


Fig. 25

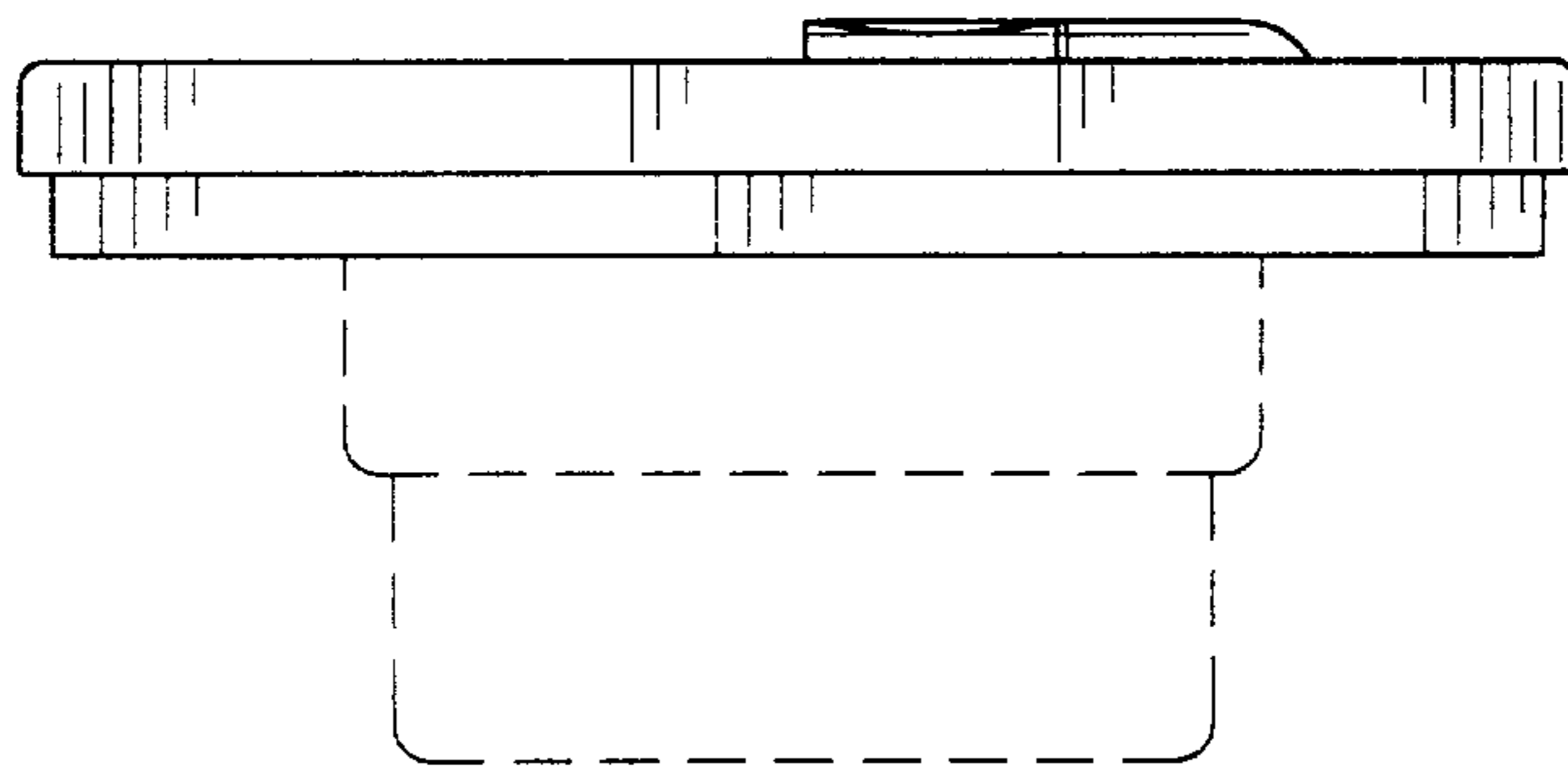


Fig. 27

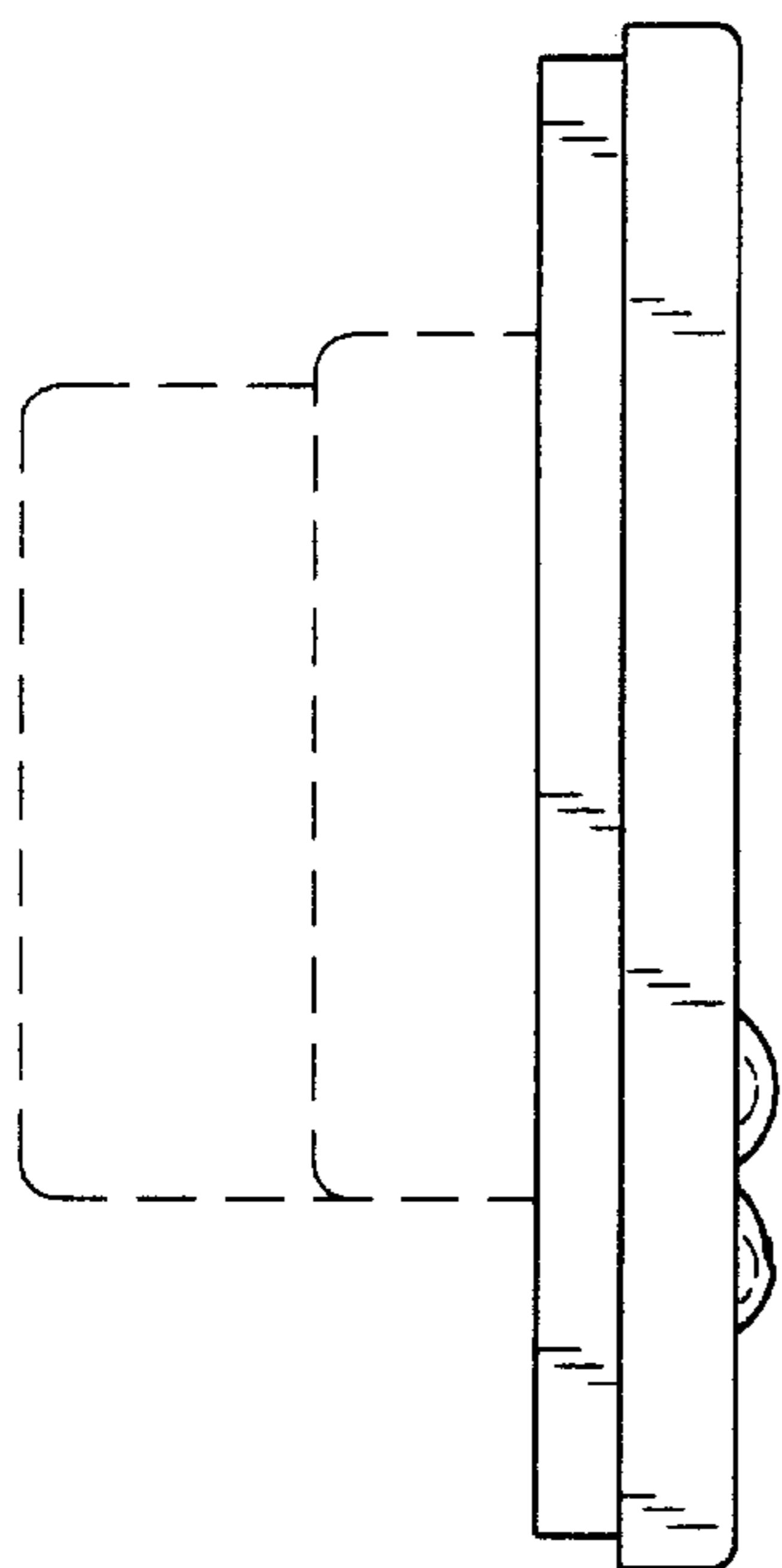


Fig. 28

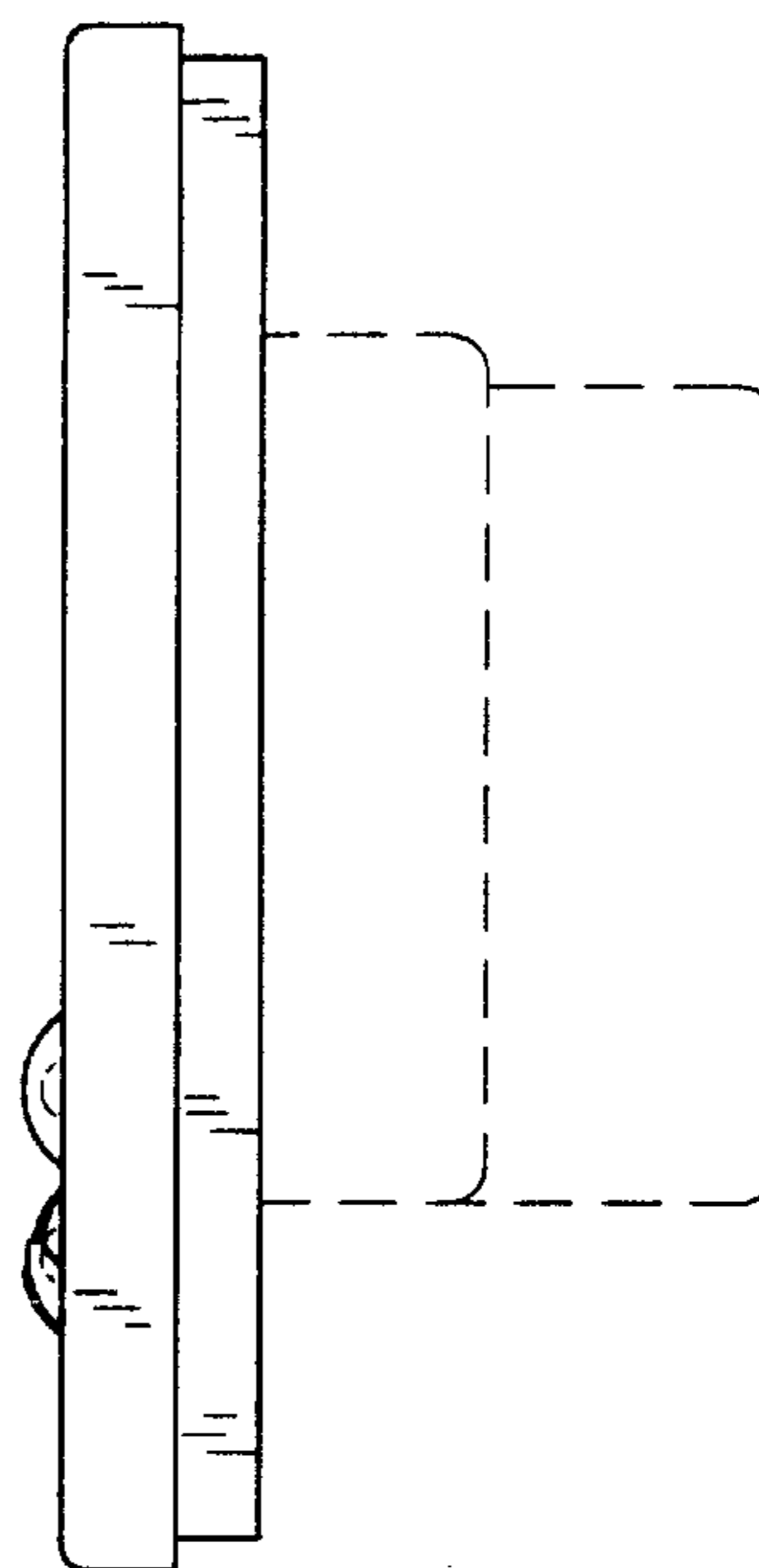


Fig. 29

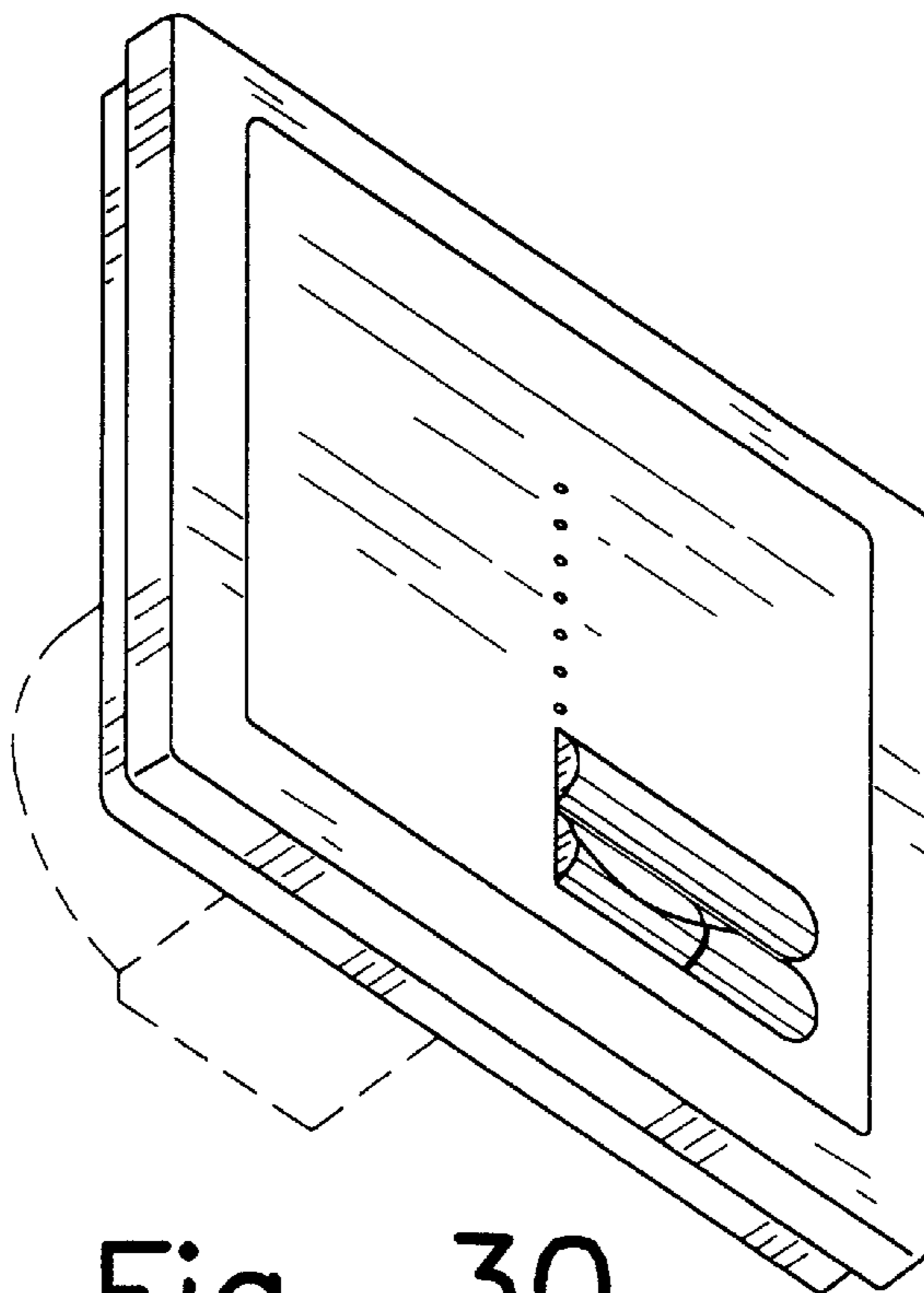


Fig. 30

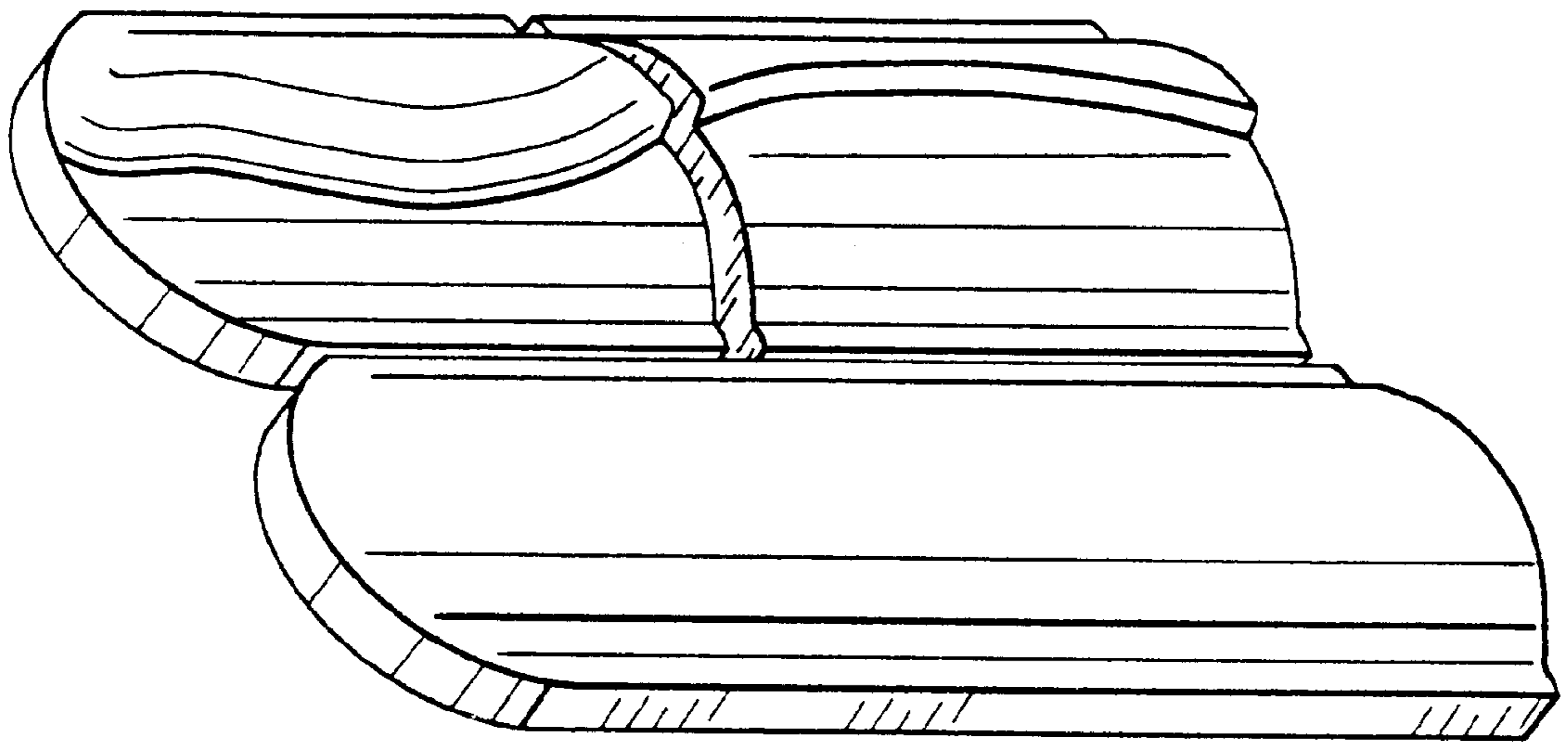


Fig. 31

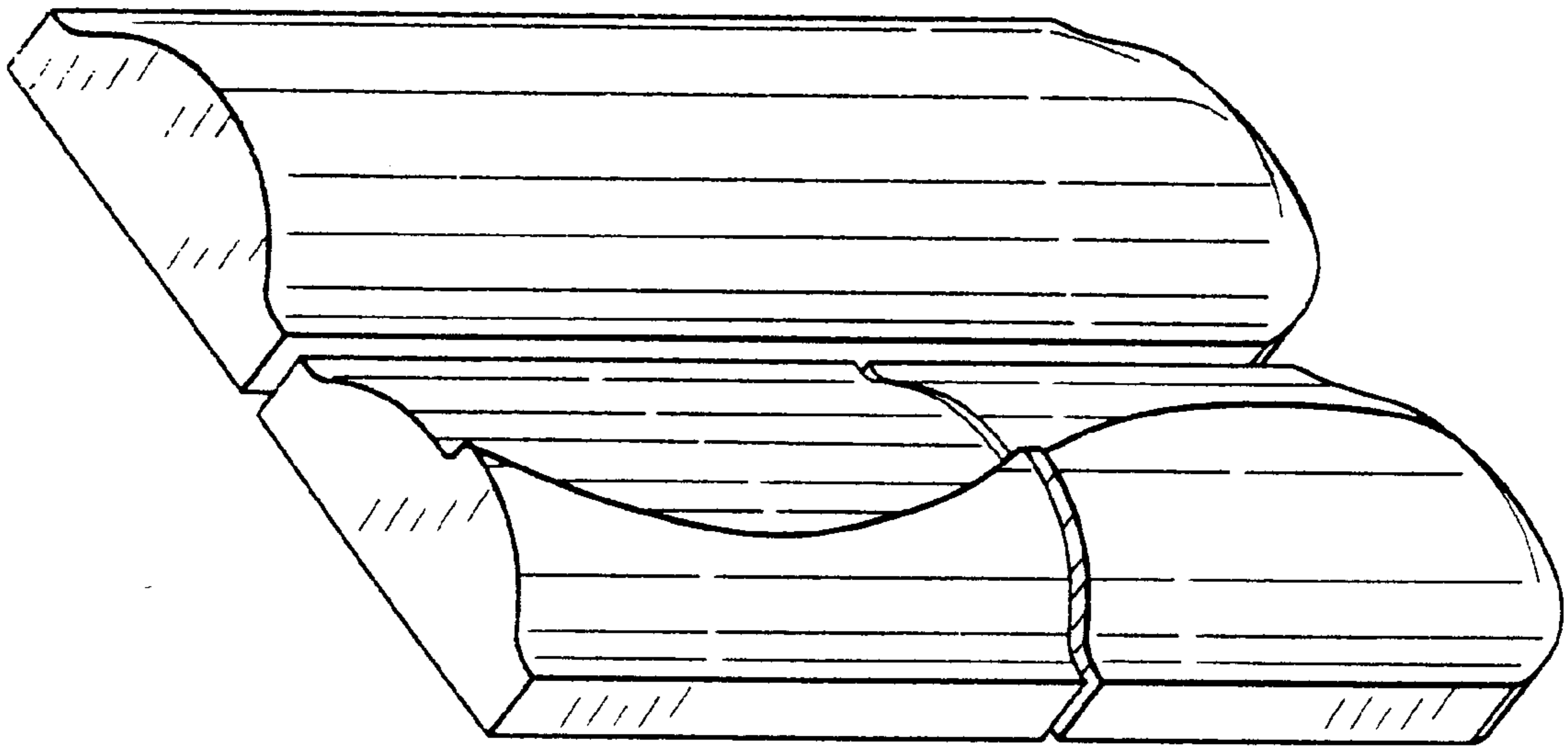


Fig. 32

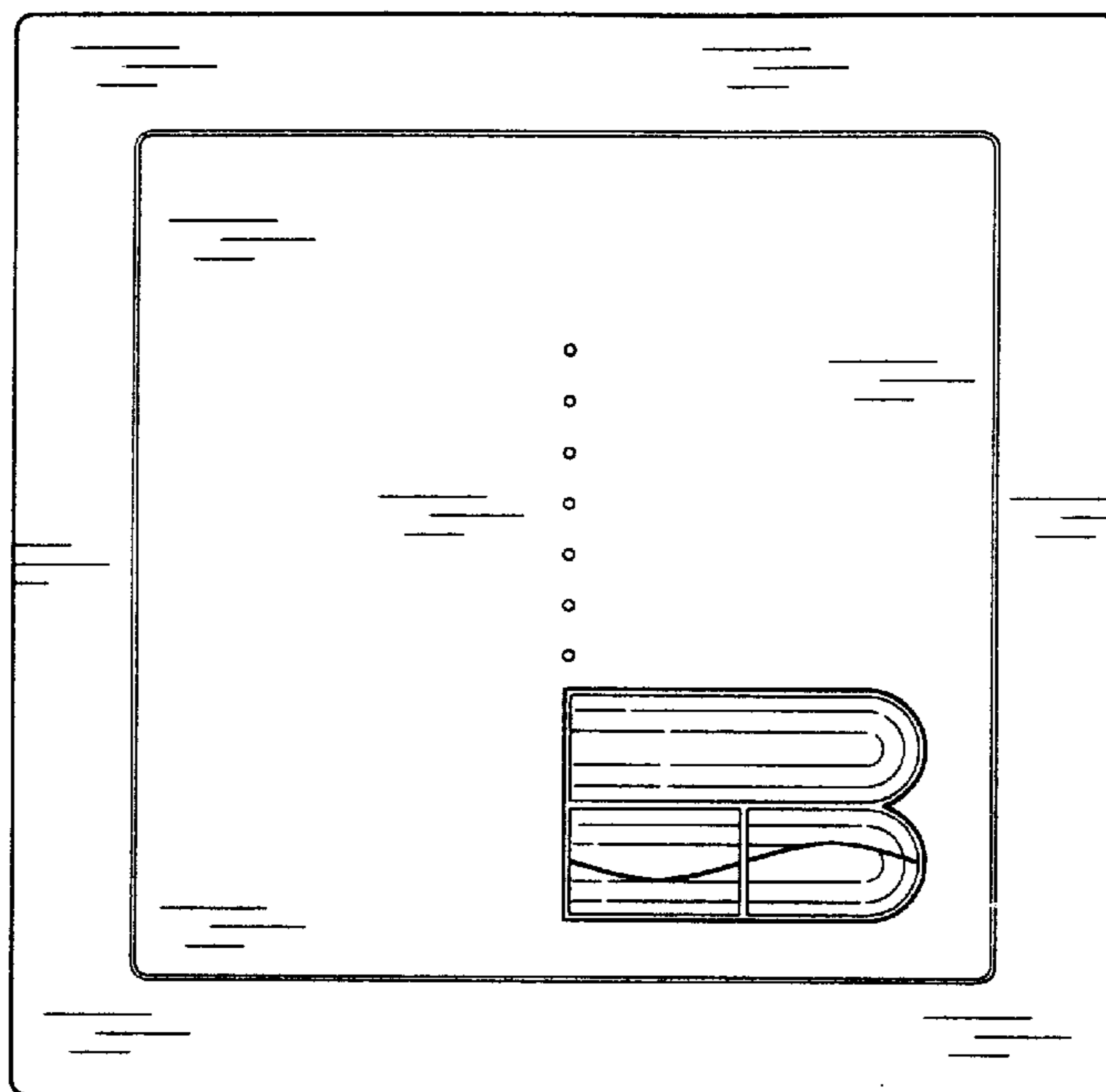


Fig. 33

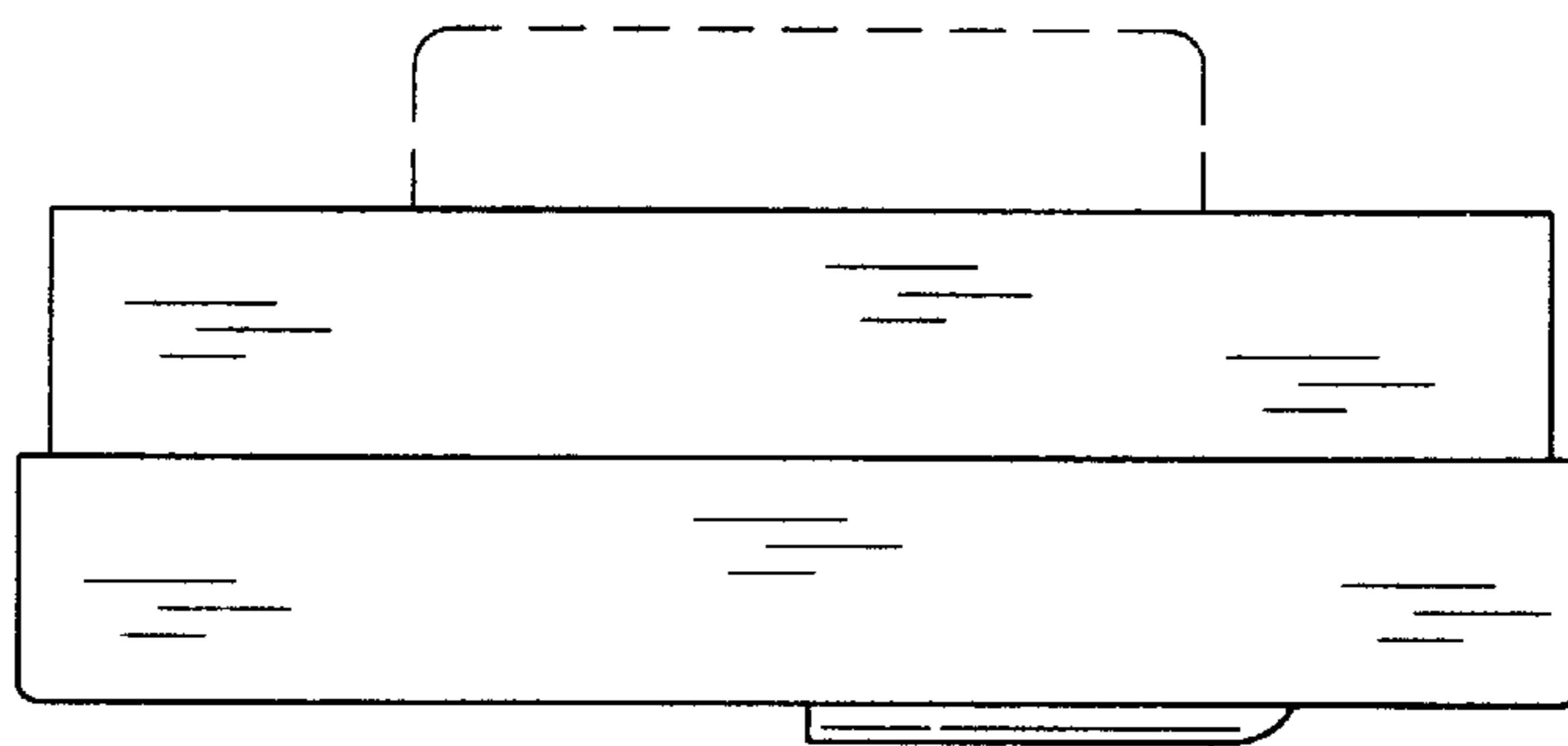


Fig. 34

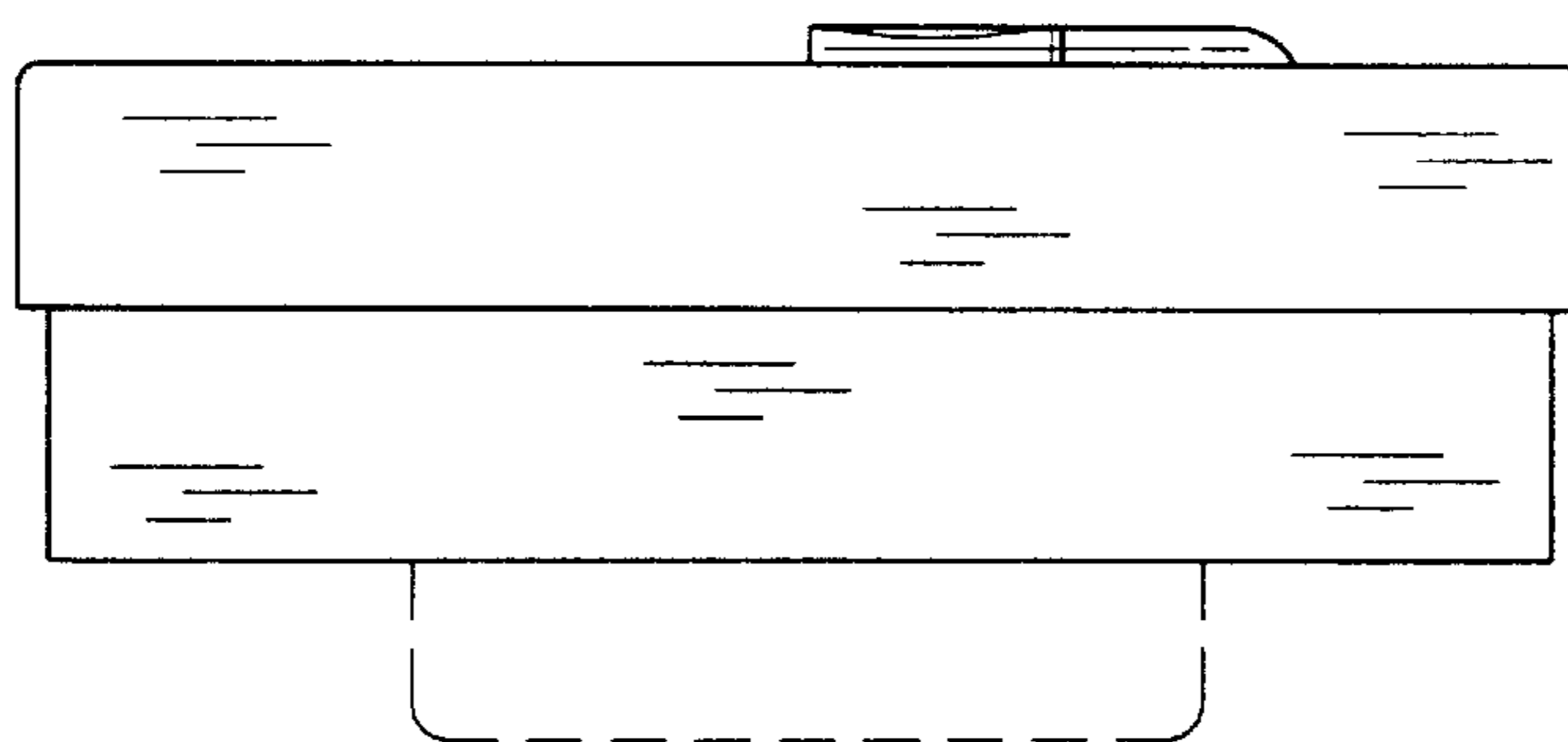


Fig. 35

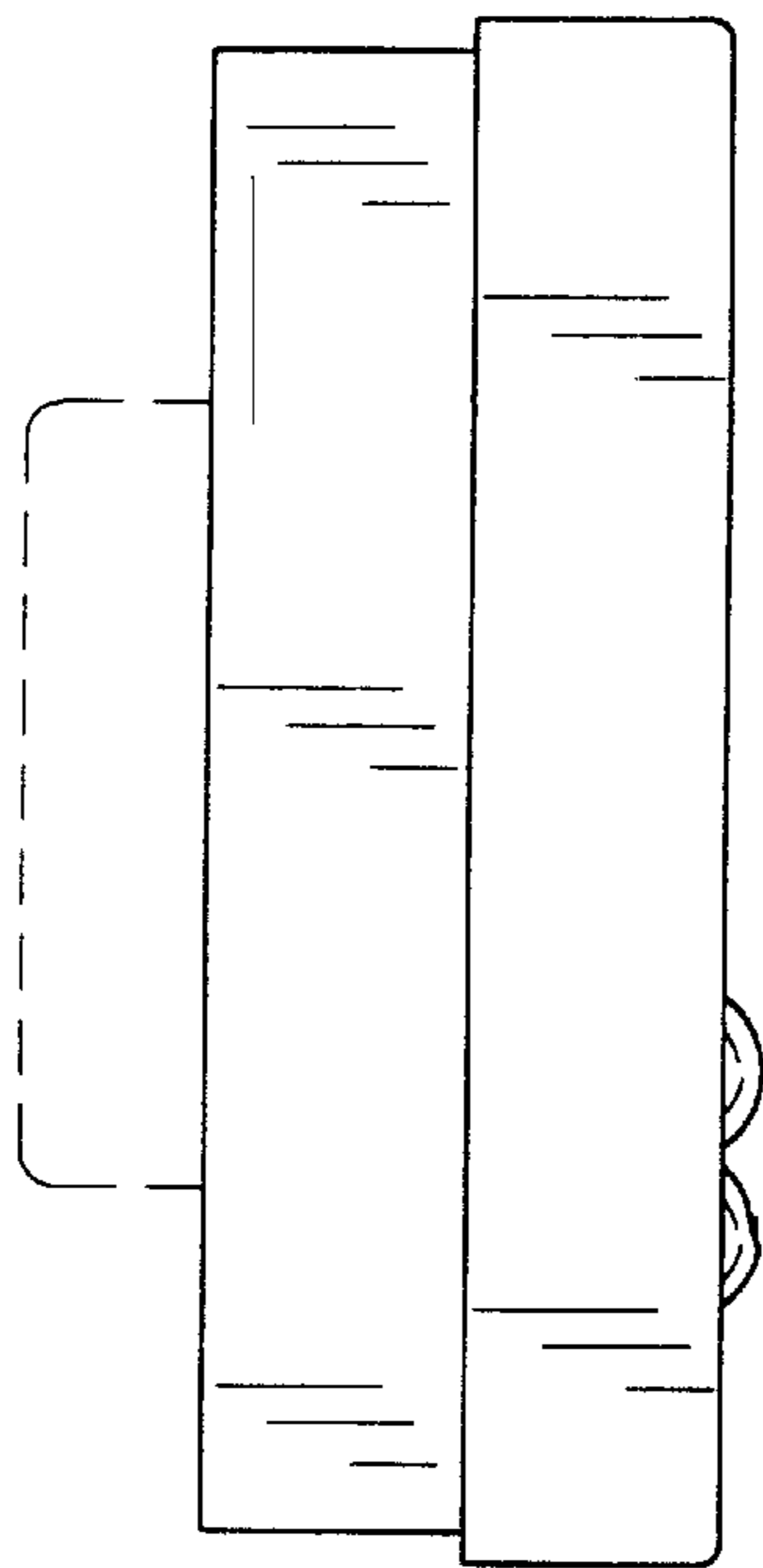


Fig. 36

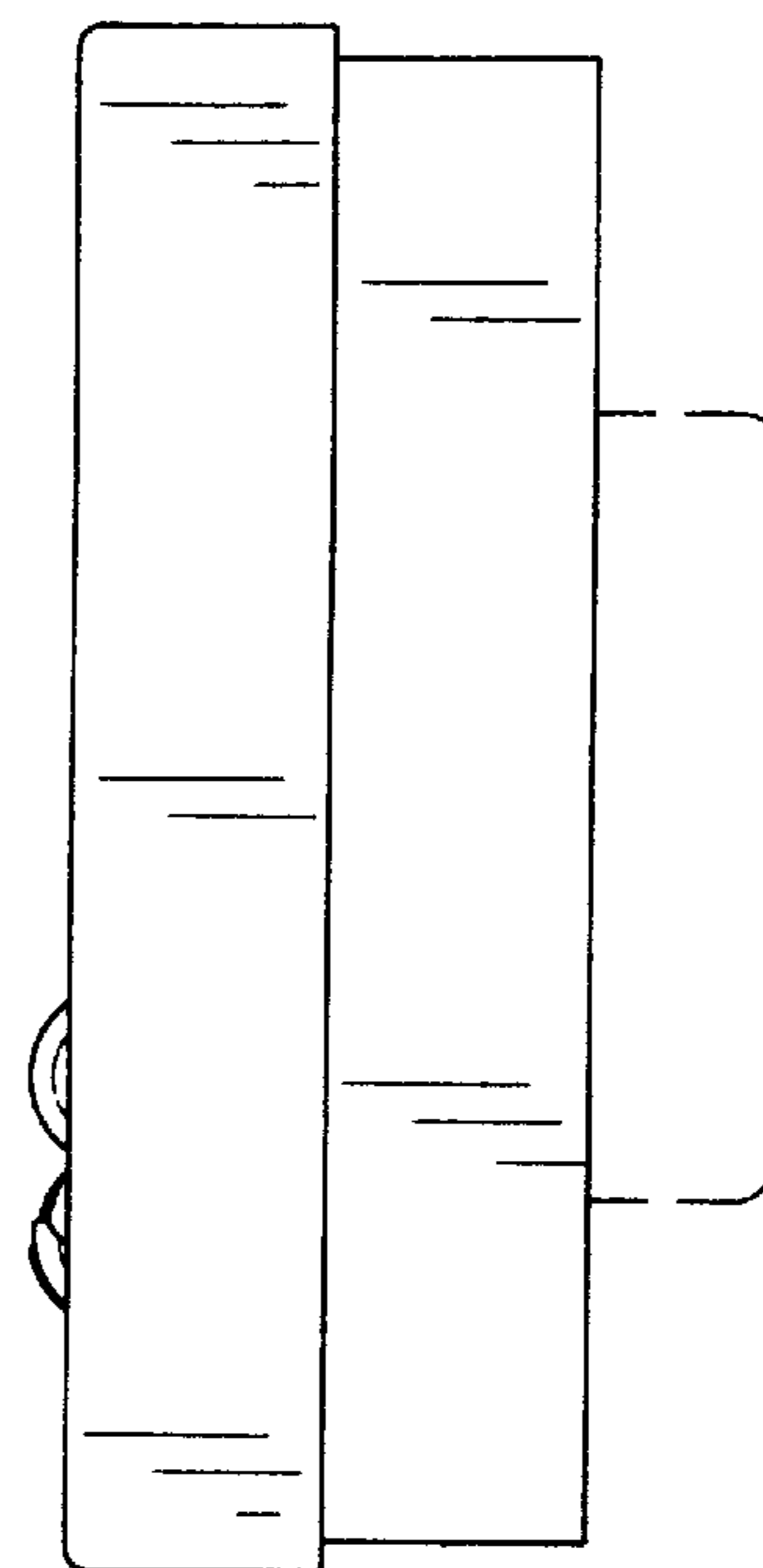


Fig. 37

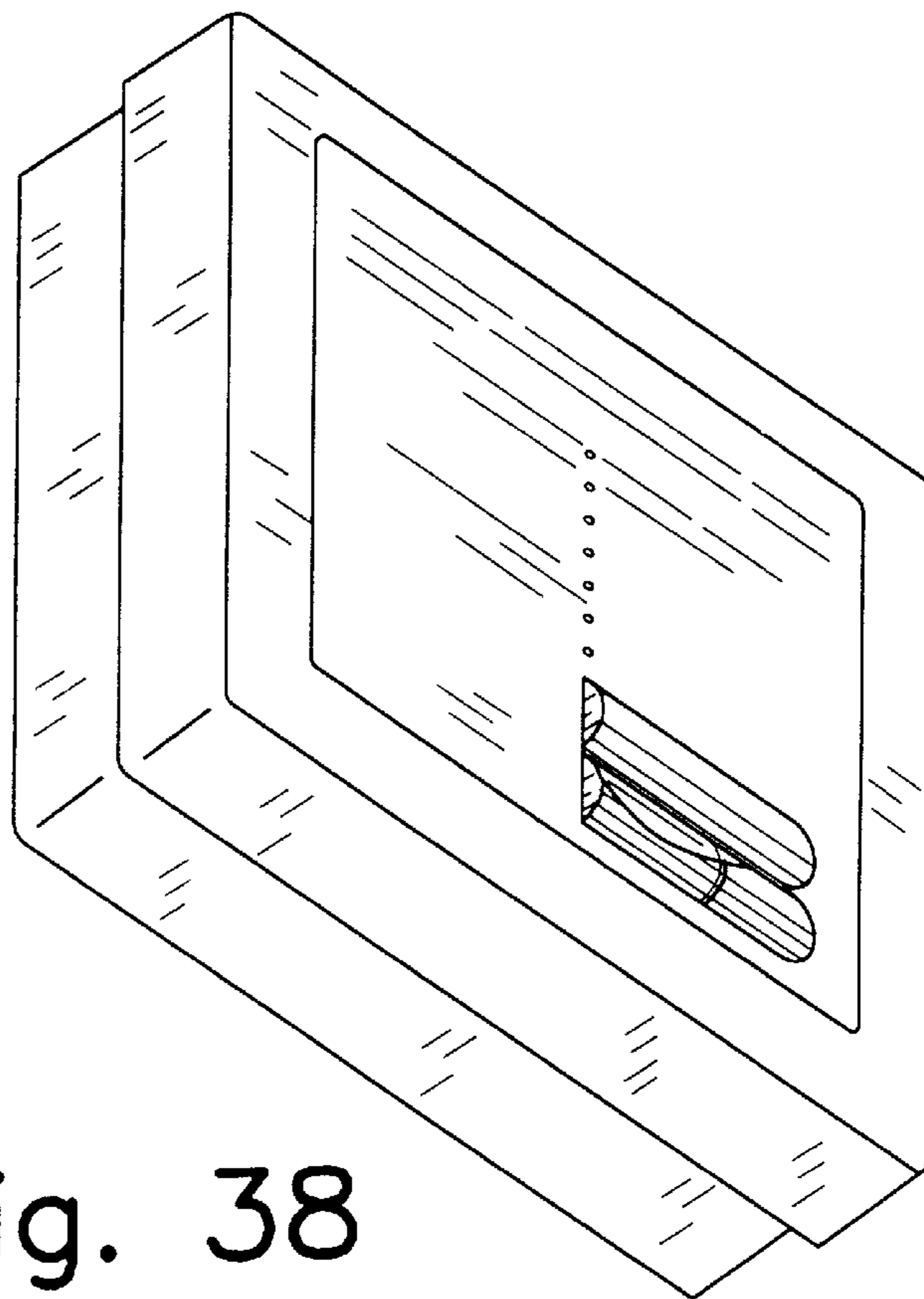


Fig. 38

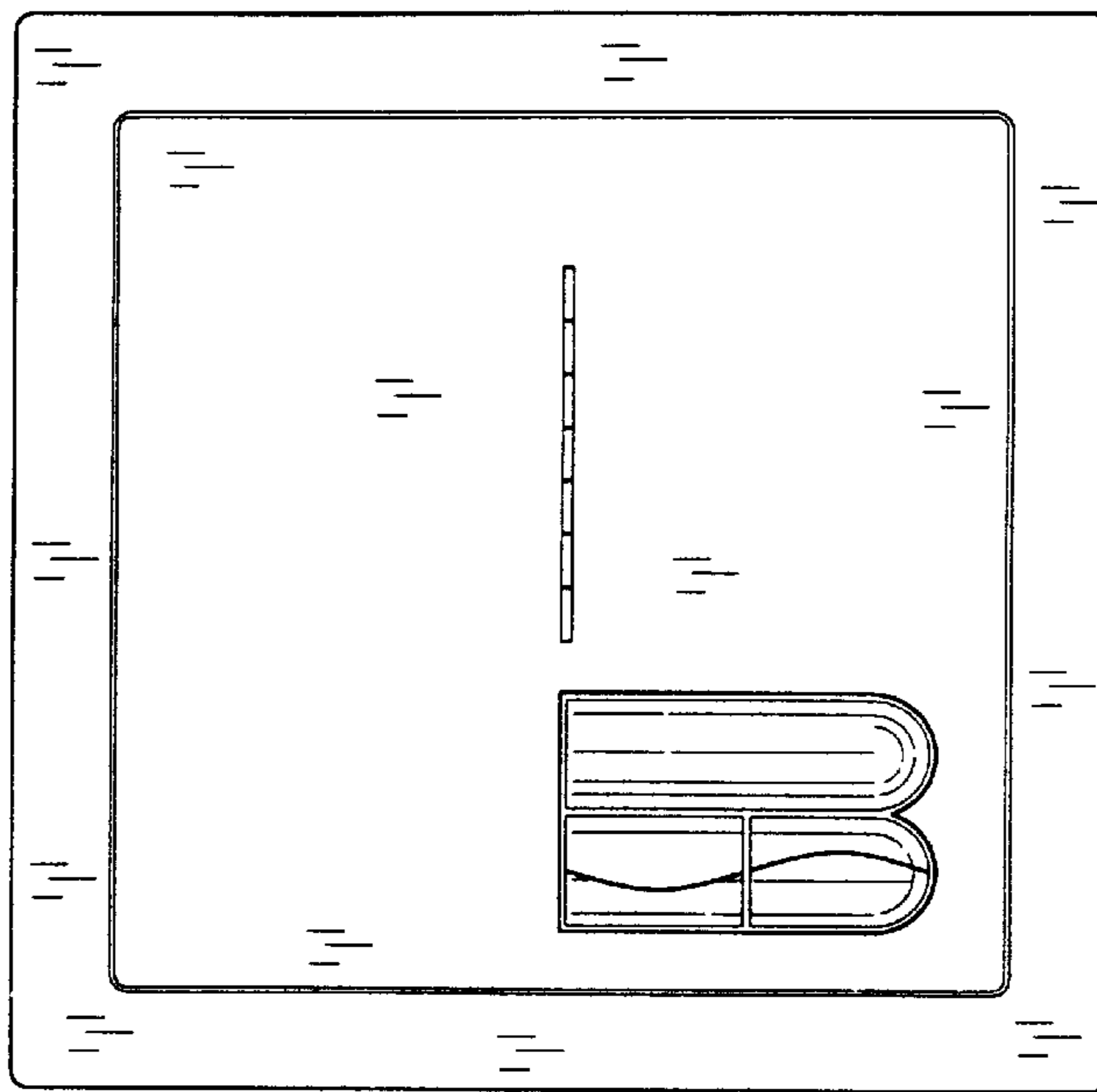


Fig. 40

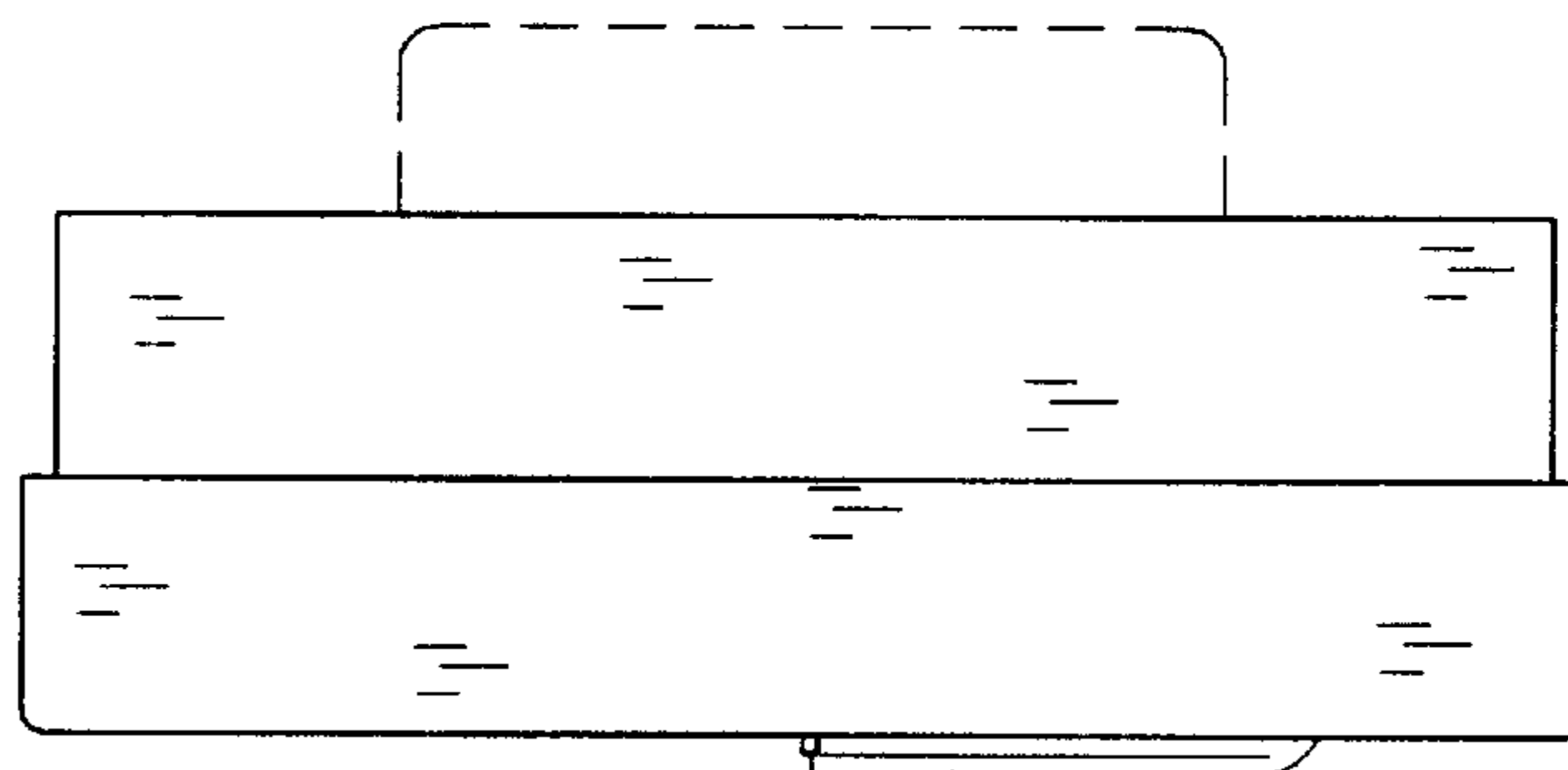


Fig. 39

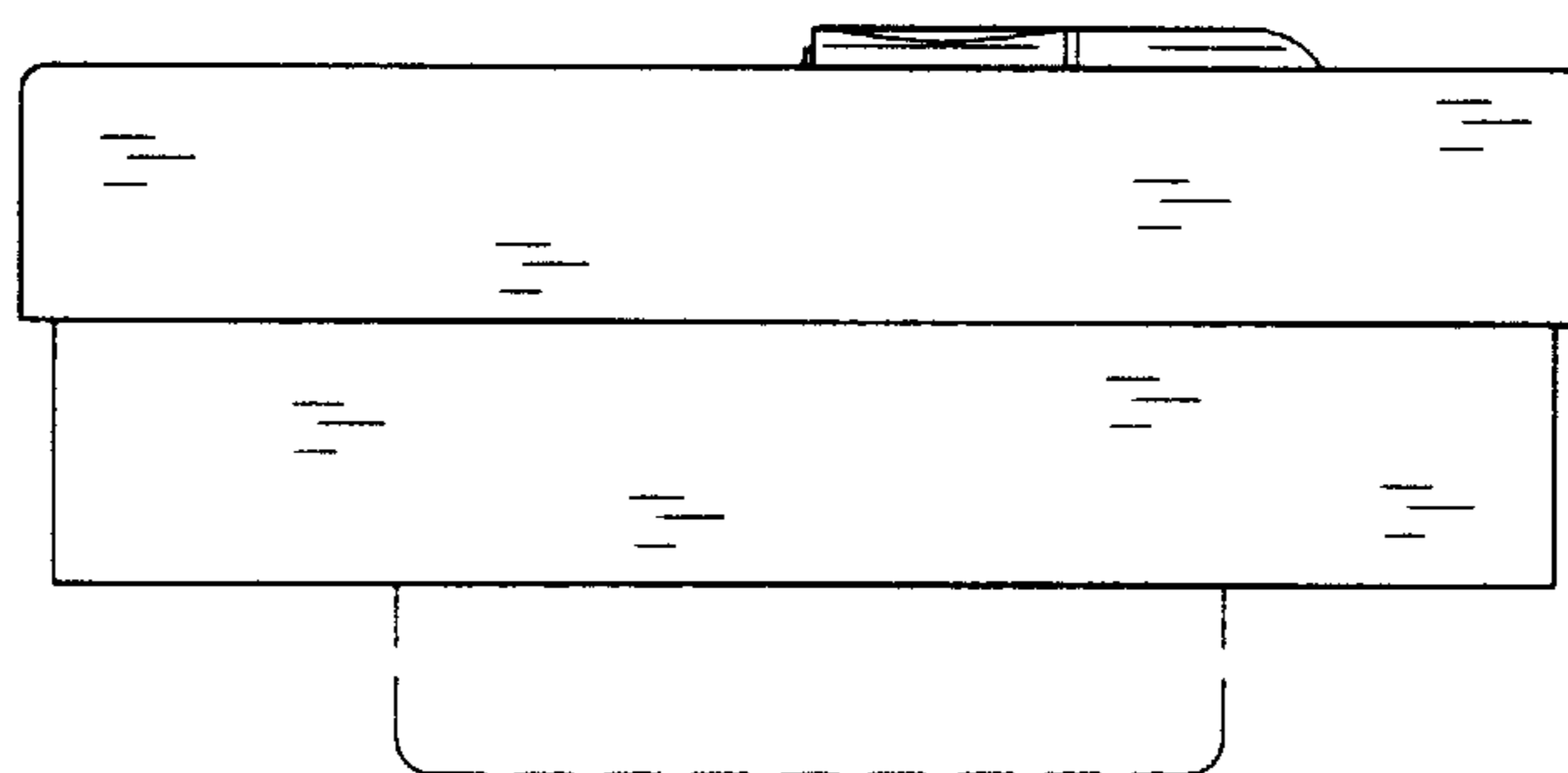


Fig. 41

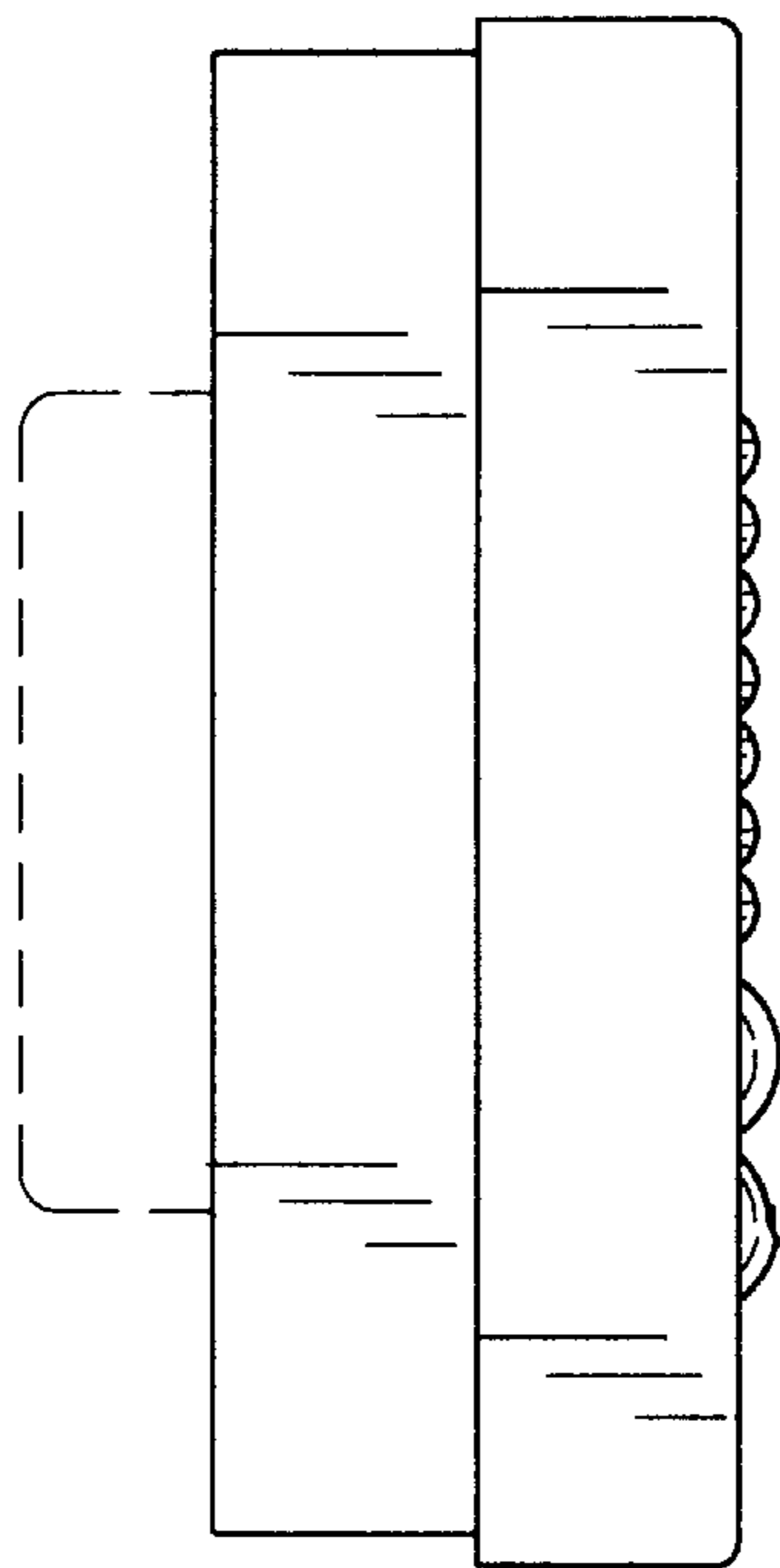


Fig. 42

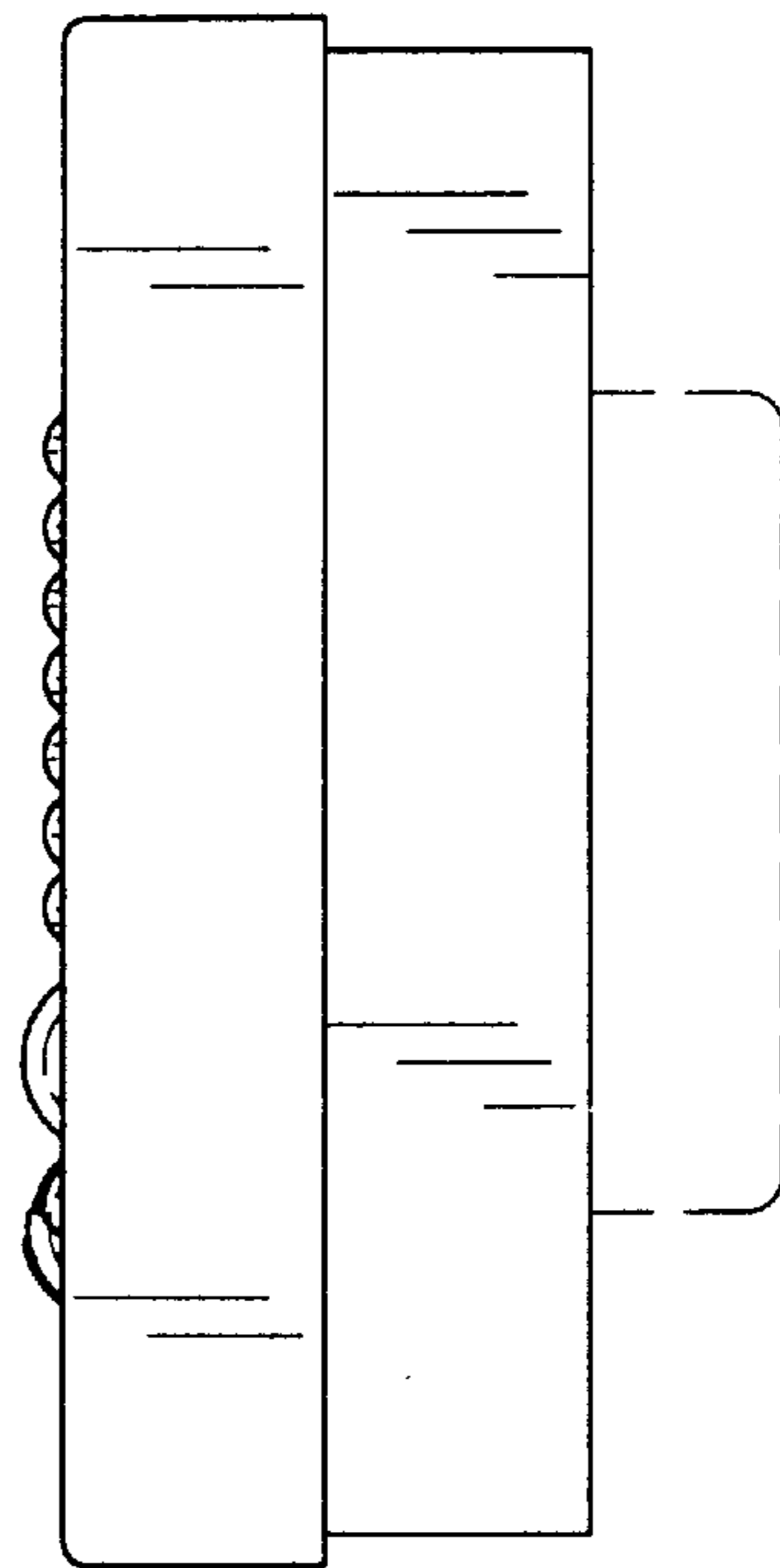


Fig. 43

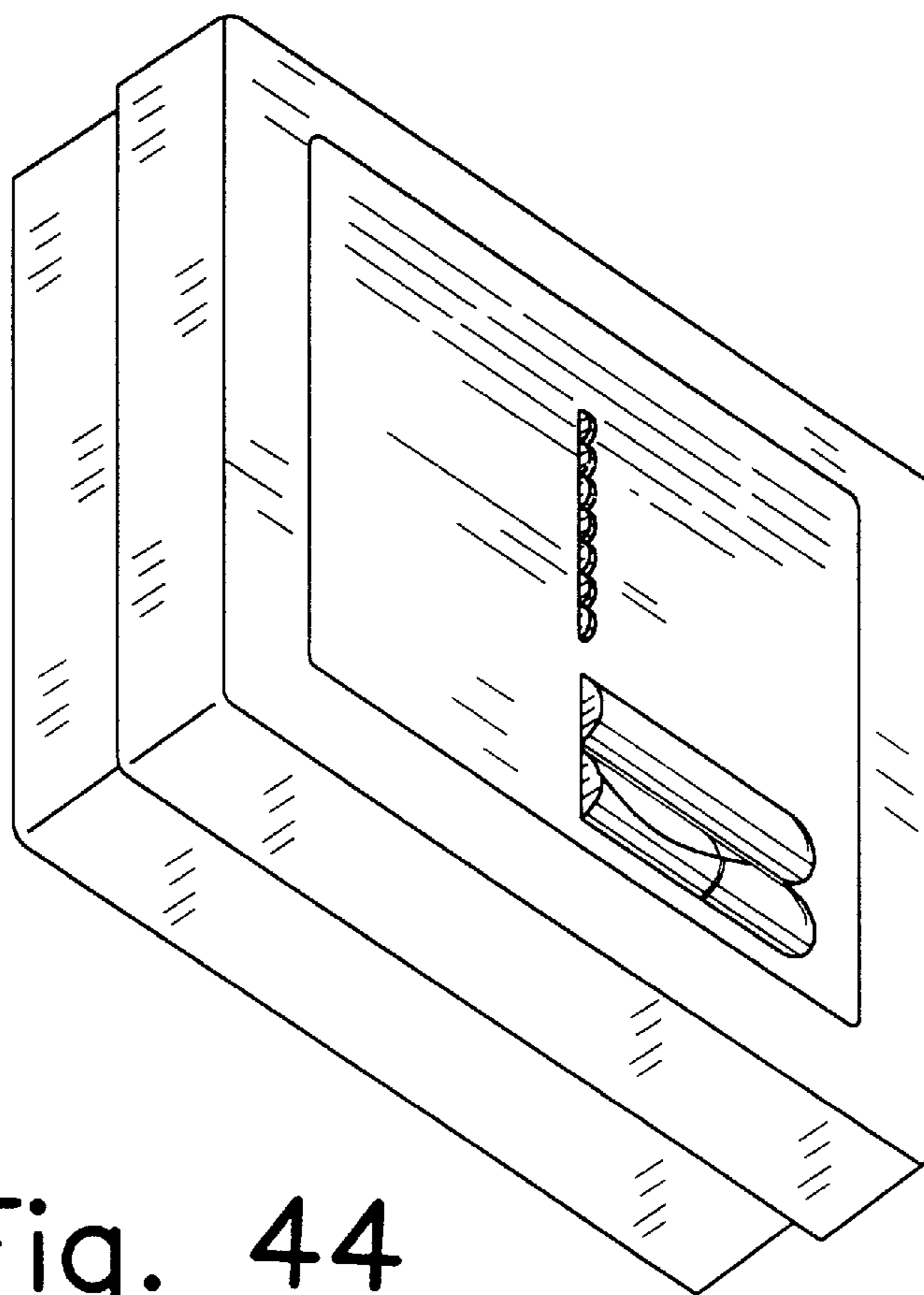


Fig. 44