



US00D421245S

United States Patent [19] Weng

[11] Patent Number: **Des. 421,245**

[45] Date of Patent: **** Feb. 29, 2000**

[54] **ELECTRIC POWER SUPPLY ASSEMBLY**

5,587,881 12/1996 Wang 361/695
5,612,854 3/1997 Wiscombe et al. 361/727
5,808,867 9/1998 Wang 361/695

[75] Inventor: **Hsien-Tang Weng**, Taipei Hsien,
Taiwan

Primary Examiner—Joel Sincavage
Attorney, Agent, or Firm—Fish & Richardson P.C.

[73] Assignee: **Shin Jiuh Corporation**, Taipei, Taiwan

[**] Term: **14 Years**

[57] **CLAIM**

[21] Appl. No.: **29/099,884**

The ornamental design for electric power supply assembly,
as shown and described.

[22] Filed: **Jan. 29, 1999**

DESCRIPTION

[51] **LOC (6) Cl.** **13-02**

FIG. 1 is a perspective view of electric power supply
assembly showing my new design;
FIG. 2 is a front elevational view thereof;
FIG. 3 is a rear elevational view thereof;
FIG. 4 is a left side elevational view thereof;
FIG. 5 is a right side elevational view thereof;
FIG. 6 is a top plan view thereof; and,
FIG. 7 is a bottom plan view thereof.

[52] **U.S. Cl.** **D13/110**

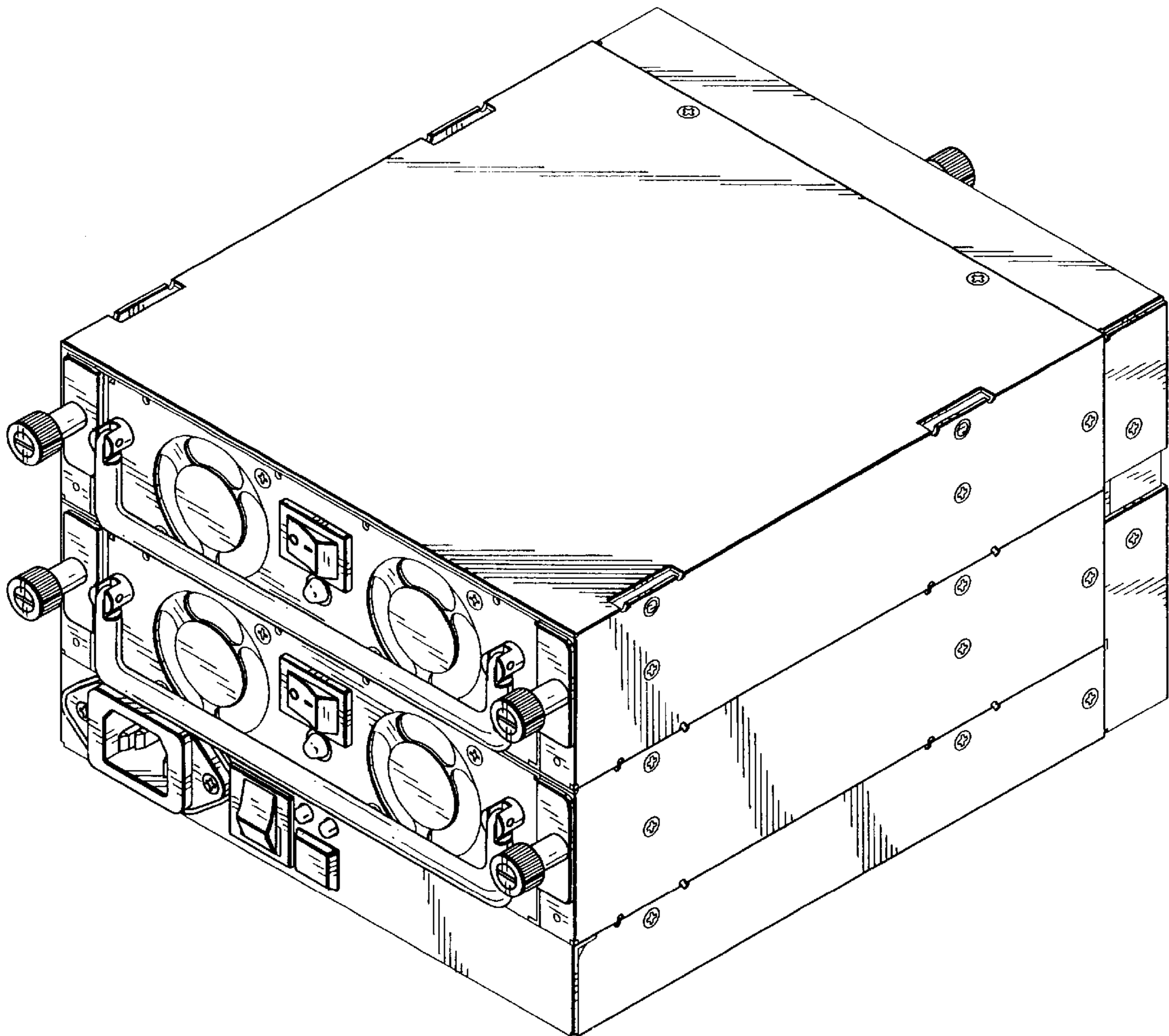
[58] **Field of Search** D13/110, 118,
D13/123; 307/66, 150; 361/730, 735, 678,
695

[56] **References Cited**

U.S. PATENT DOCUMENTS

3,582,714 6/1971 Shmurak et al. 361/714

1 Claim, 5 Drawing Sheets



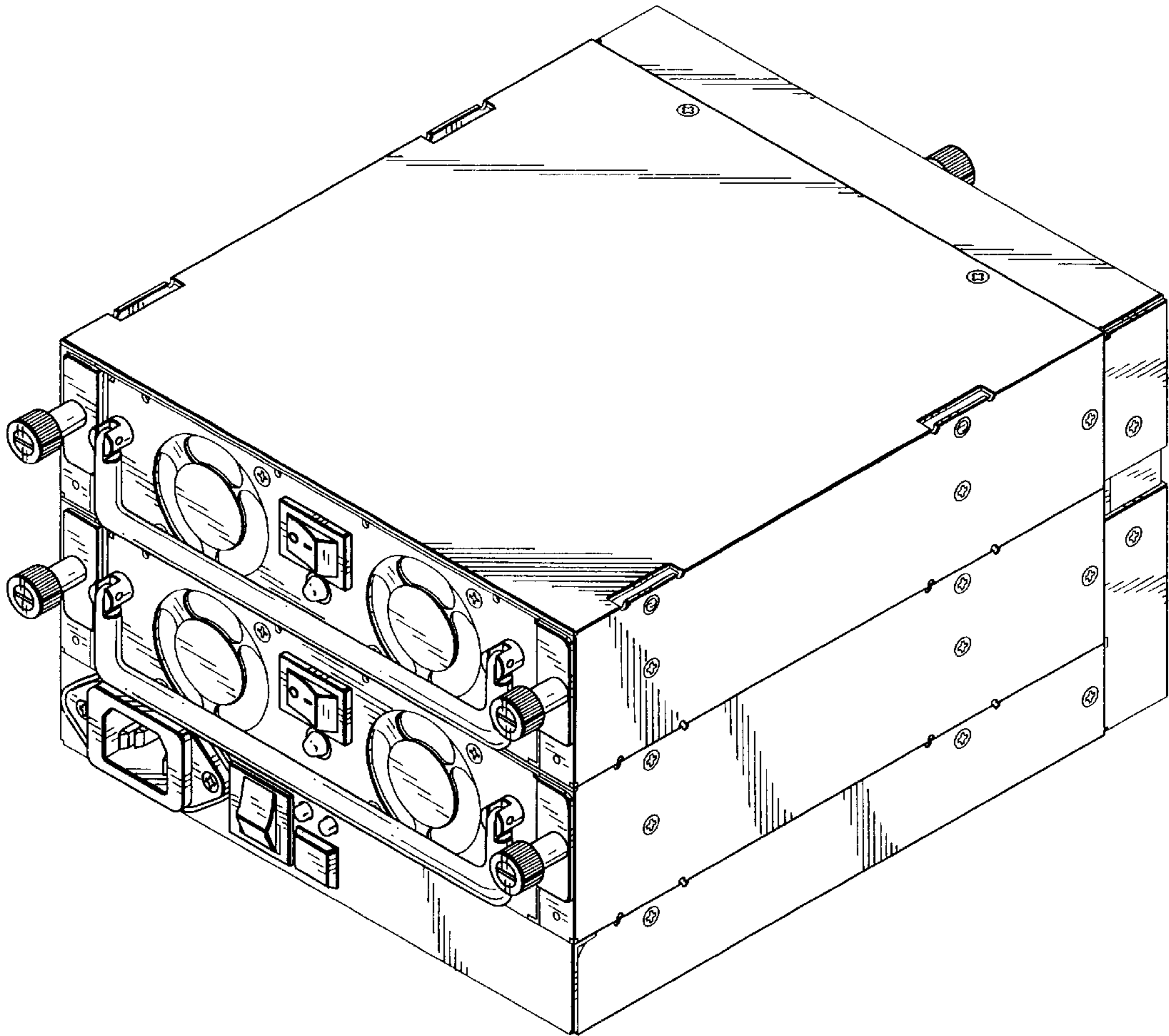


FIG. 1

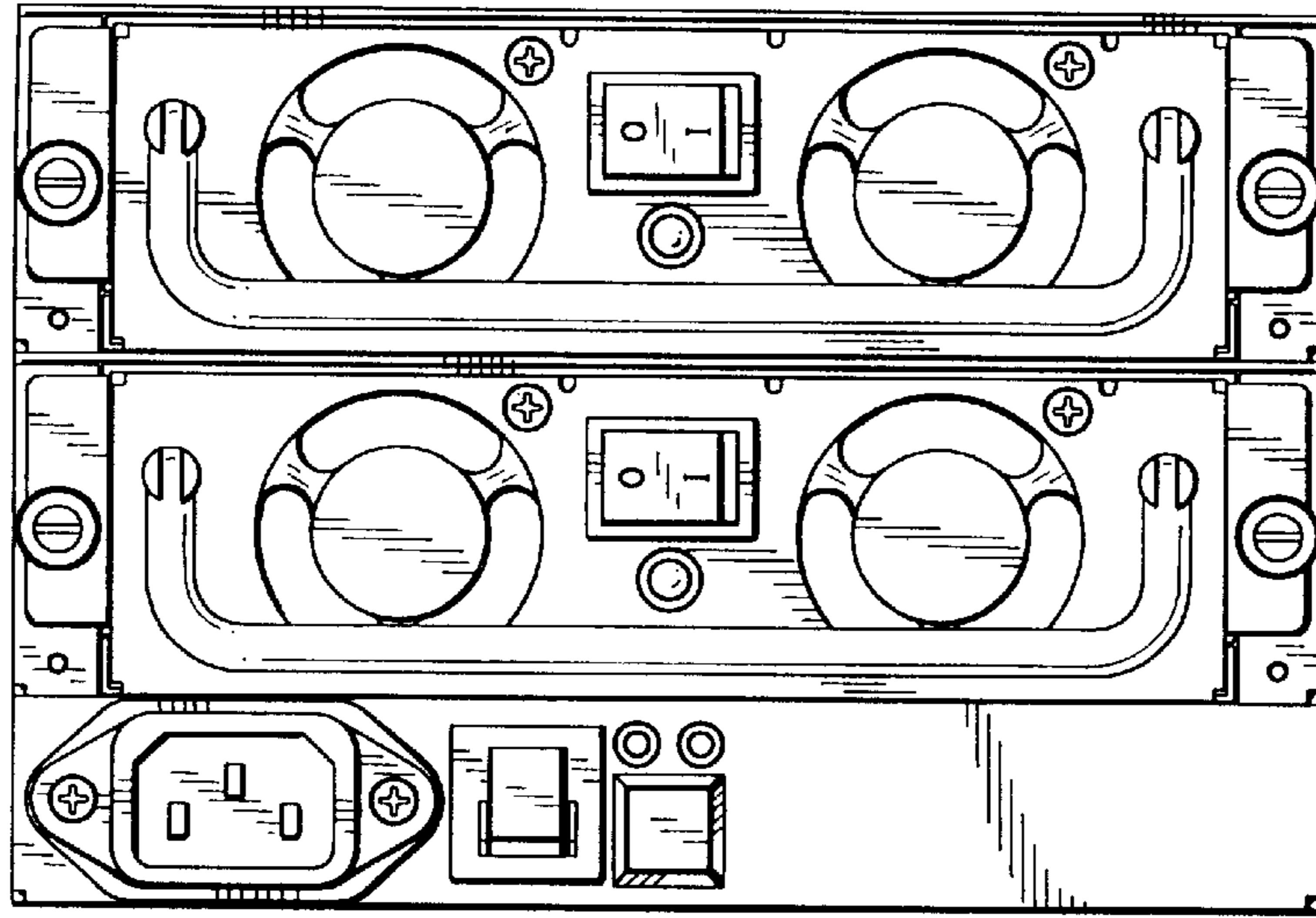


FIG. 2

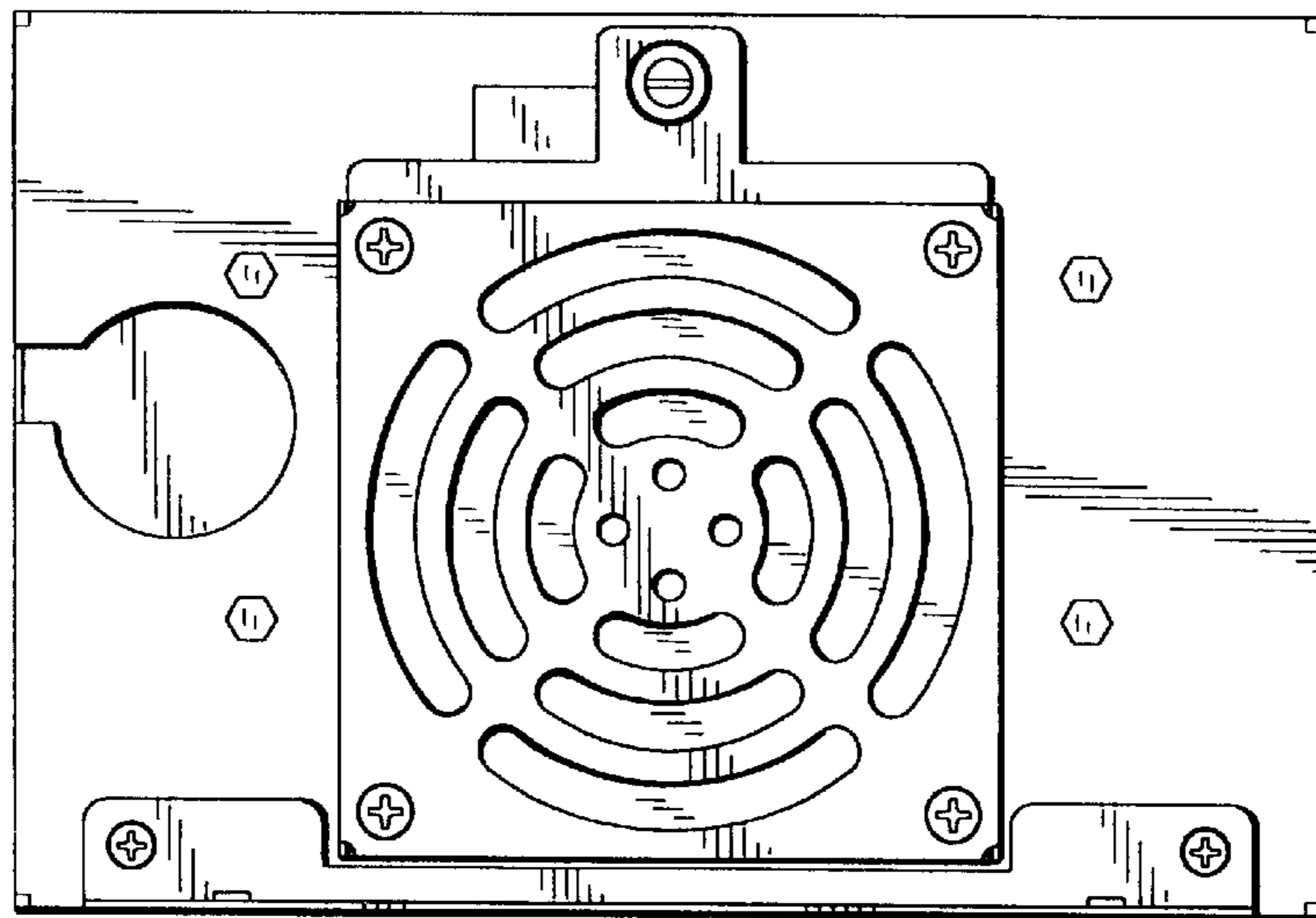


FIG. 3

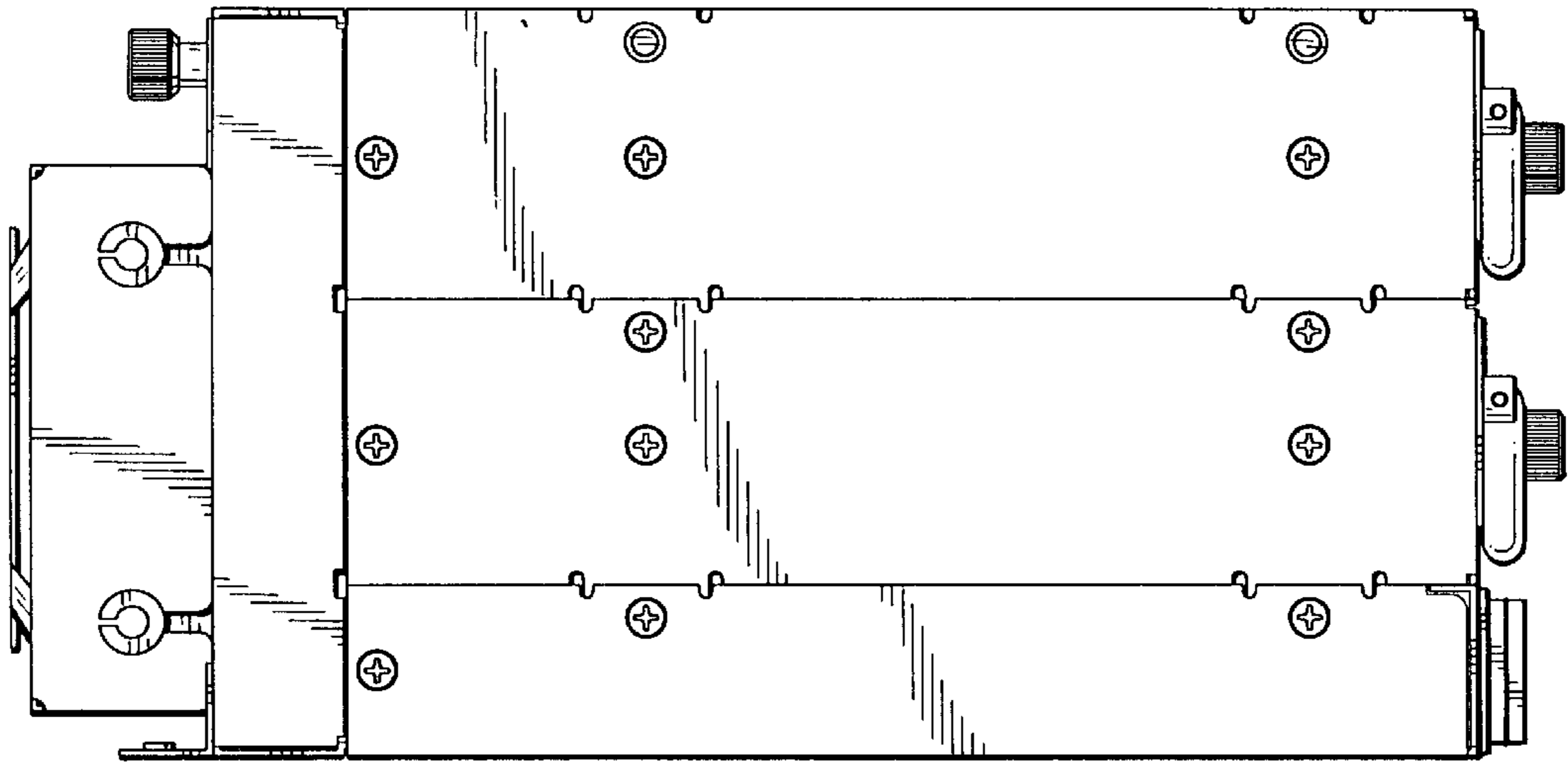


FIG. 4

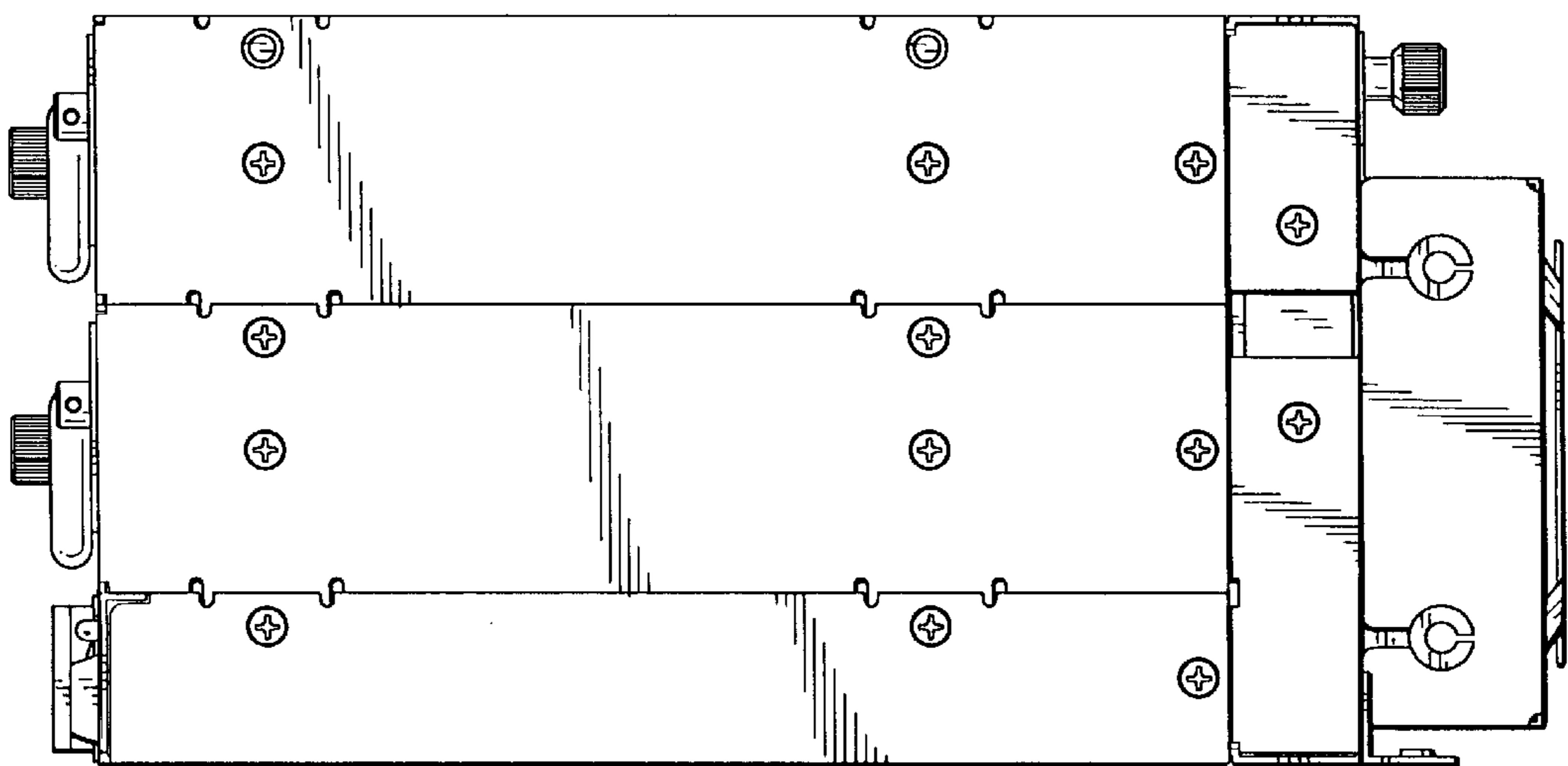


FIG. 5

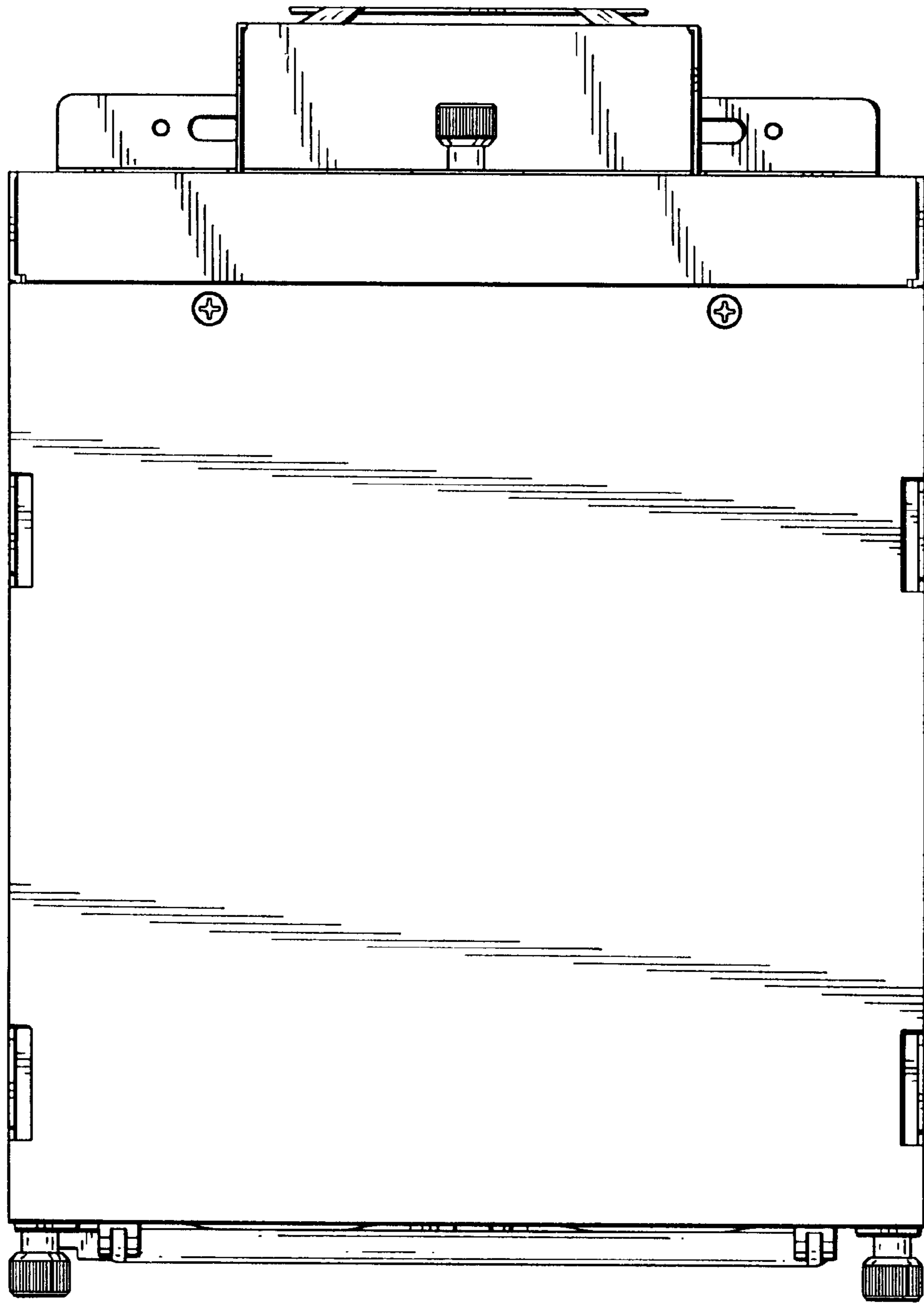


FIG. 6

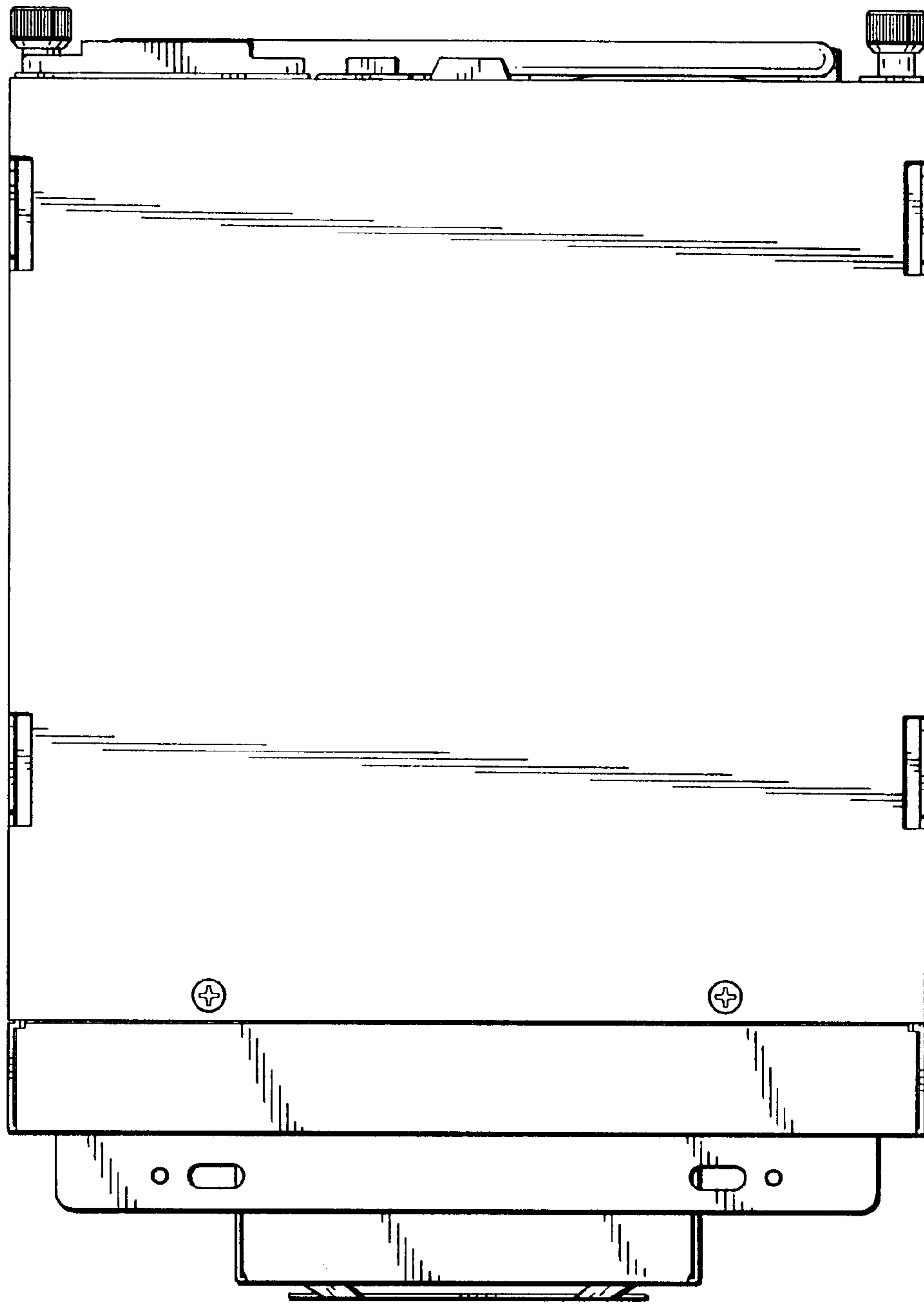


FIG. 7