



US00D421244S

# United States Patent [19] Goto

[11] **Patent Number: Des. 421,244**

[45] **Date of Patent: \*\* Feb. 29, 2000**

[54] **BATTERY**

[75] Inventor: **Teiyu Goto**, Tokyo, Japan

[73] Assignee: **Sony Corporation**, Tokyo, Japan

[\*\*] Term: **14 Years**

[21] Appl. No.: **29/097,978**

[22] Filed: **Dec. 18, 1998**

D. 406,561	3/1999	Goto .....	D13/103
5,583,744	12/1996	Oguchi et al. ....	429/98 X
5,721,668	2/1998	Barrus et al. ....	429/98 X
5,901,035	5/1999	Foster et al. ....	361/683

*Primary Examiner*—Joel Sincavage  
*Attorney, Agent, or Firm*—Foley & Lardner

[57] **CLAIM**

The ornamental design for a battery, as shown and described.

**DESCRIPTION**

FIG. 1 is a perspective view of a first embodiment of a battery showing my new design;  
 FIG. 2 is a top plan view thereof;  
 FIG. 3 is a left side elevational view thereof;  
 FIG. 4 is a front elevational view thereof;  
 FIG. 5 is a bottom plan view thereof;  
 FIG. 6 is a right side elevational view thereof; and  
 FIG. 7 is a rear elevational view thereof.  
 FIG. 8 is a perspective view of a second embodiment of a battery showing my new design;  
 FIG. 9 is a top plan view thereof;  
 FIG. 10 is a left side elevational view thereof;  
 FIG. 11 is a front elevational view thereof;  
 FIG. 12 is a bottom plan view thereof;  
 FIG. 13 is a right side elevational view thereof; and,  
 FIG. 14 is a rear elevational view thereof.

**Related U.S. Application Data**

[62] Division of application No. 29/086,445, Apr. 14, 1998, Pat. No. Des. 406,561.

[30] **Foreign Application Priority Data**

Oct. 14, 1997	[JP]	Japan .....	9-71374
Oct. 14, 1997	[JP]	Japan .....	9-71375

[51] **LOC (6) Cl.** ..... **13-02**

[52] **U.S. Cl.** ..... **D13/103**

[58] **Field of Search** ..... D13/103; 429/96-100,  
429/163, 176; 361/683

[56] **References Cited**

**U.S. PATENT DOCUMENTS**

D. 329,634	9/1992	Mizusugi et al. ....	D13/103
D. 349,484	8/1994	Kuzumoto et al. ....	D13/103
D. 385,251	10/1997	Friedli et al. ....	D13/103

**1 Claim, 6 Drawing Sheets**

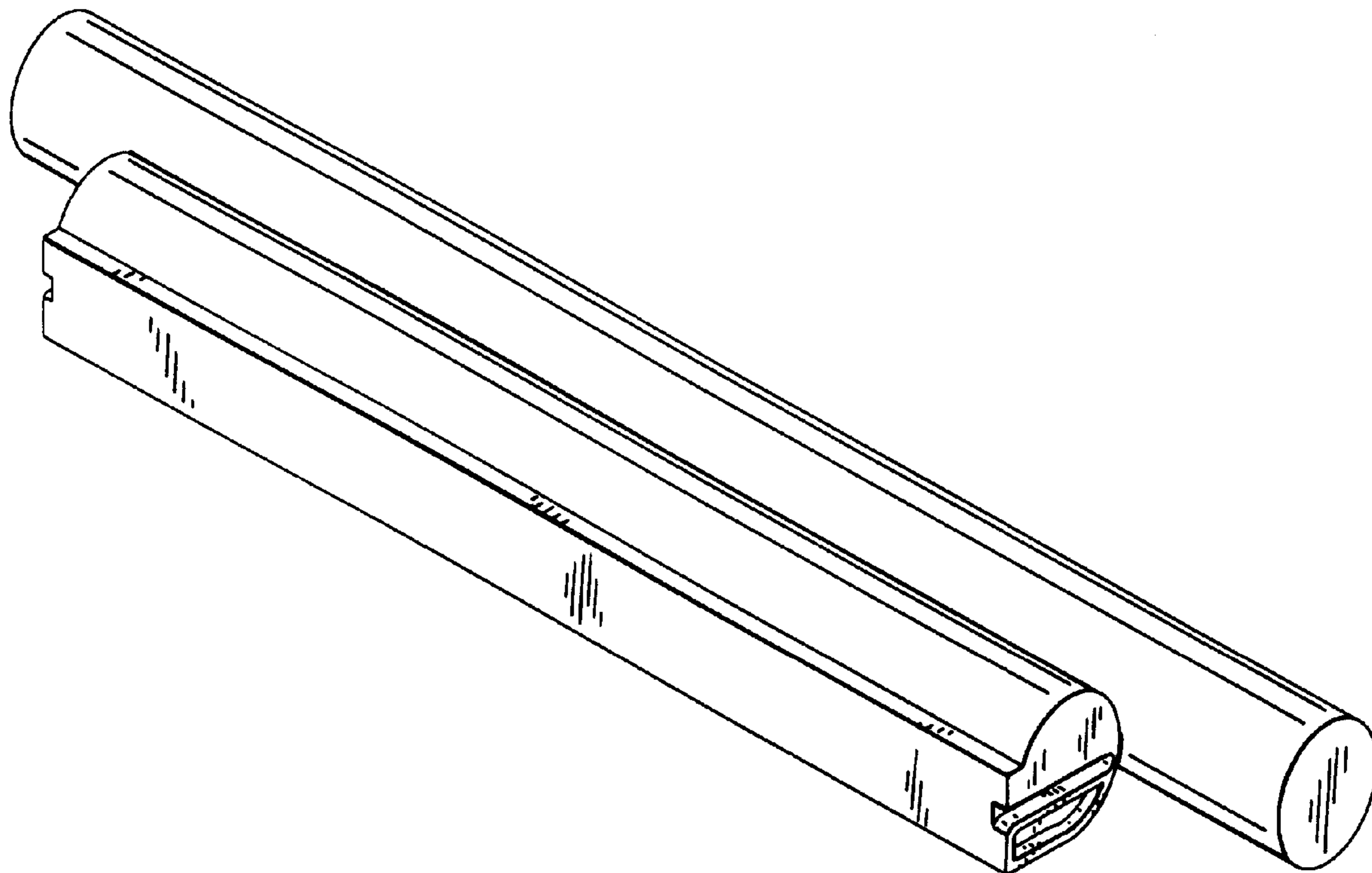


FIG. 1

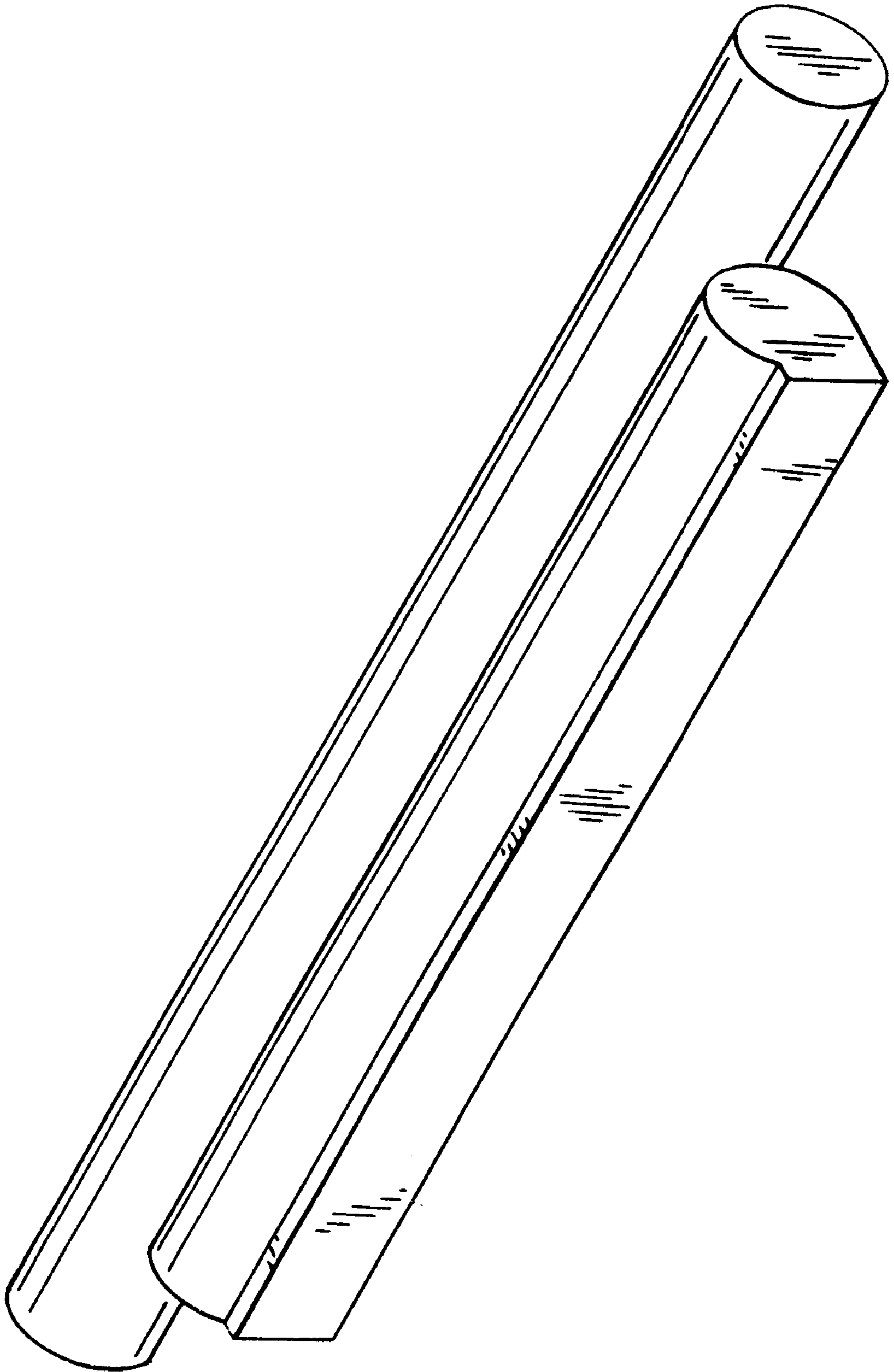


FIG. 2



FIG. 4

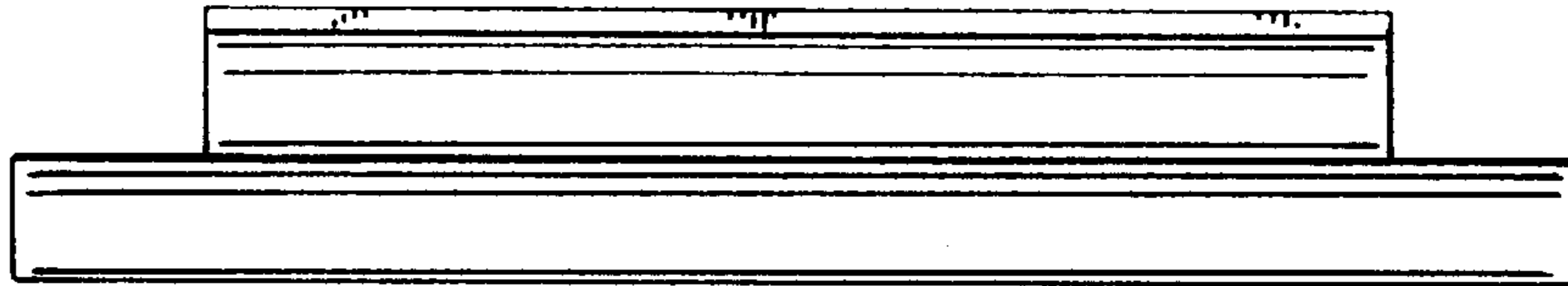


FIG. 7

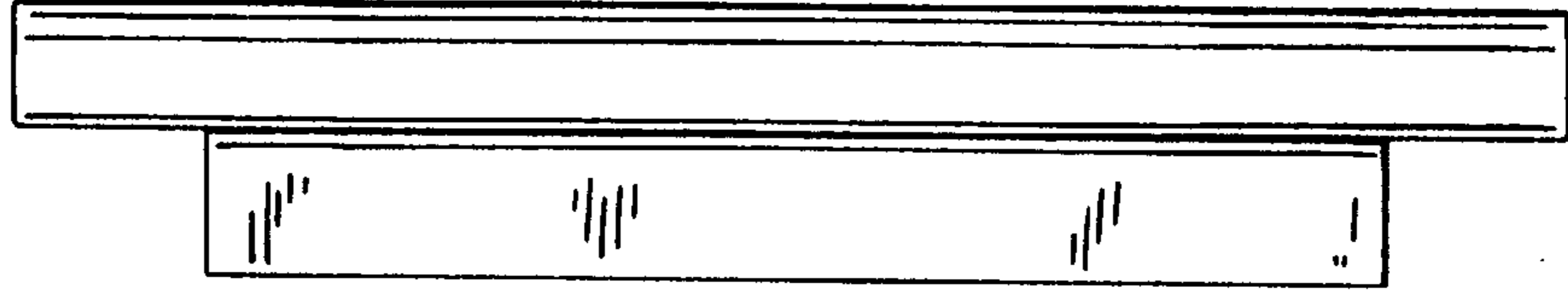


FIG. 5



FIG. 3

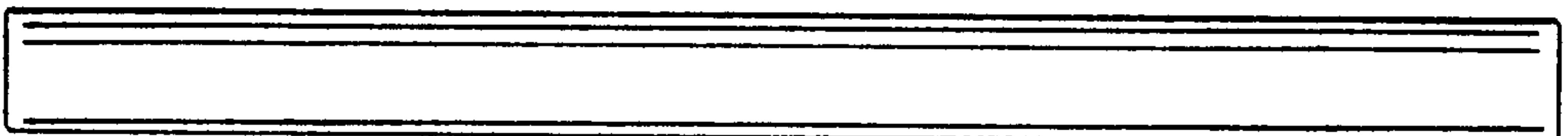


FIG. 6



FIG. 8

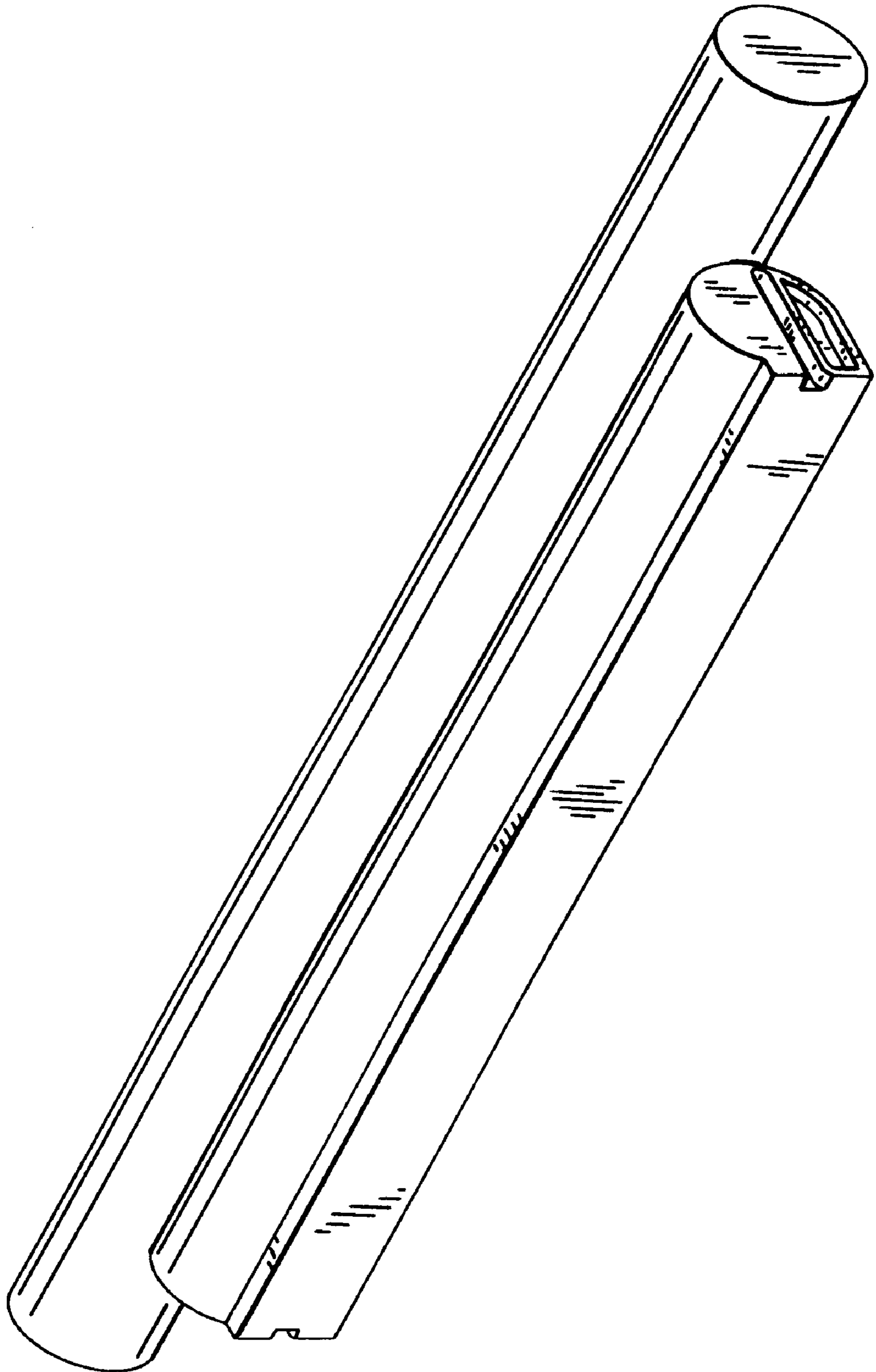


FIG. 9



FIG. 11

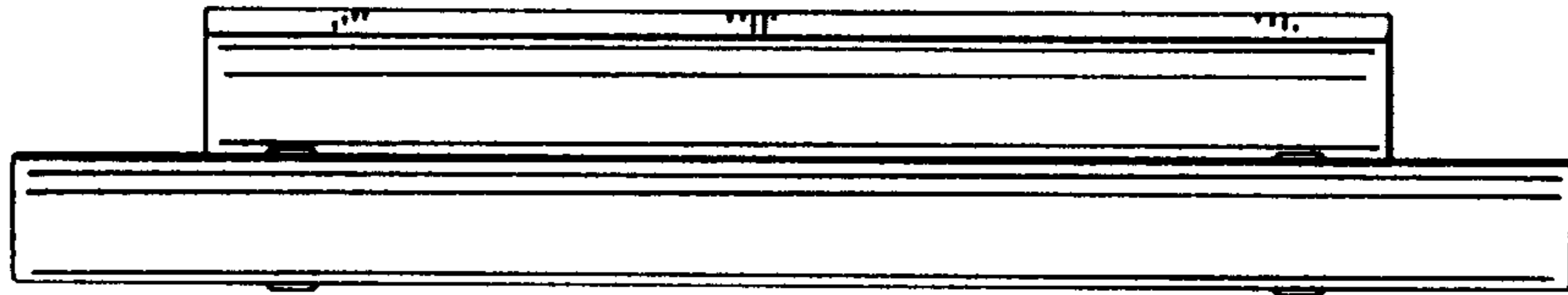


FIG. 14

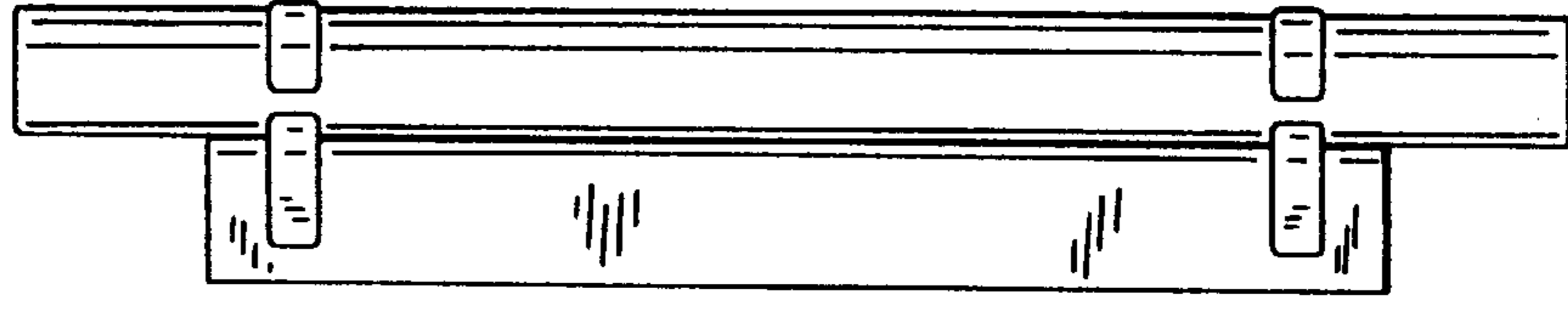


FIG. 12

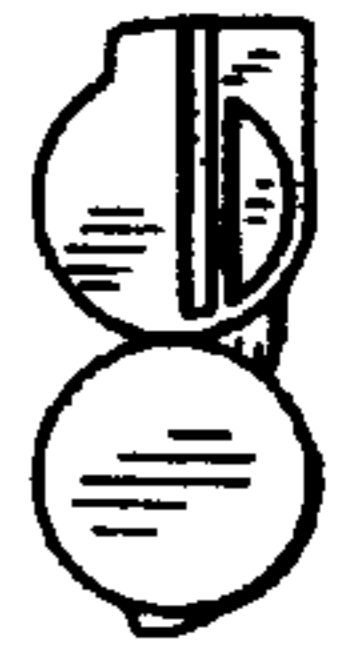


FIG. 10

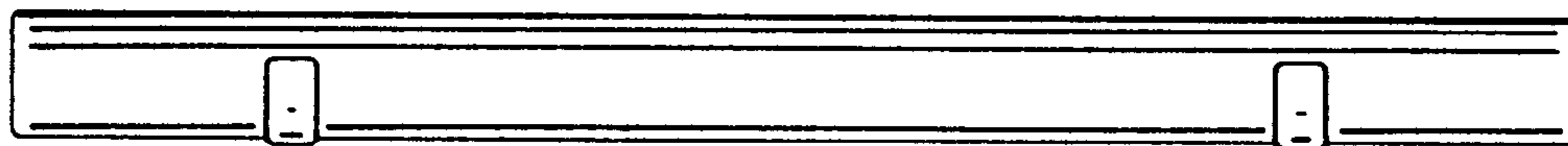


FIG. 13

