



US00D421235S

United States Patent [19]
Rausch

[11] **Patent Number: Des. 421,235**

[45] **Date of Patent: ** Feb. 29, 2000**

[54] **CONCRETE ROAD BARRIER**

[75] Inventor: **Peter Rausch**, Thorl, Austria

[73] Assignee: **MABA Fertigteilindustrie GmbH**,
Austria

[**] Term: **14 Years**

[21] Appl. No.: **29/054,359**

[22] Filed: **May 13, 1996**

[30] **Foreign Application Priority Data**

Nov. 11, 1995 [DE] Germany M 95 09 002

[51] **LOC (6) Cl.** **10-05**

[52] **U.S. Cl.** **D10/113**

[58] **Field of Search** D25/39, 44, 112,
D25/119; D10/109, 111, 113; 116/63 C,
63 P; 404/6-15

[56] **References Cited**

U.S. PATENT DOCUMENTS

D. 110,894 8/1938 Hawk D10/113

D. 341,098 11/1993 Ejodock D10/109

D. 343,369 1/1994 Sprague D10/109

D. 391,513 3/1998 Brown D10/113

Primary Examiner—Marcus A. Jackson
Attorney, Agent, or Firm—Andrus, Scales, Starke &
Sawall

[57] **CLAIM**

I claim the ornamental design for a concrete road barrier, as shown and described.

DESCRIPTION

FIG. 1 is a perspective view of a concrete road barrier showing the new design;

FIG. 2 is an exploded perspective view thereof;

FIG. 3 is a side elevation view thereof, said view being identical from both sides thereof;

FIG. 4 is a top plan view thereof, said view being identical to a bottom view thereof;

FIG. 5 is an end view thereof, said view being identical from both ends thereof;

FIG. 6 is an enlarged perspective view of the Y-shaped anchor member for the concrete road barrier; and,

FIG. 7 is an enlarged perspective view of the I-shaped connecting member for the concrete road barrier.

1 Claim, 3 Drawing Sheets

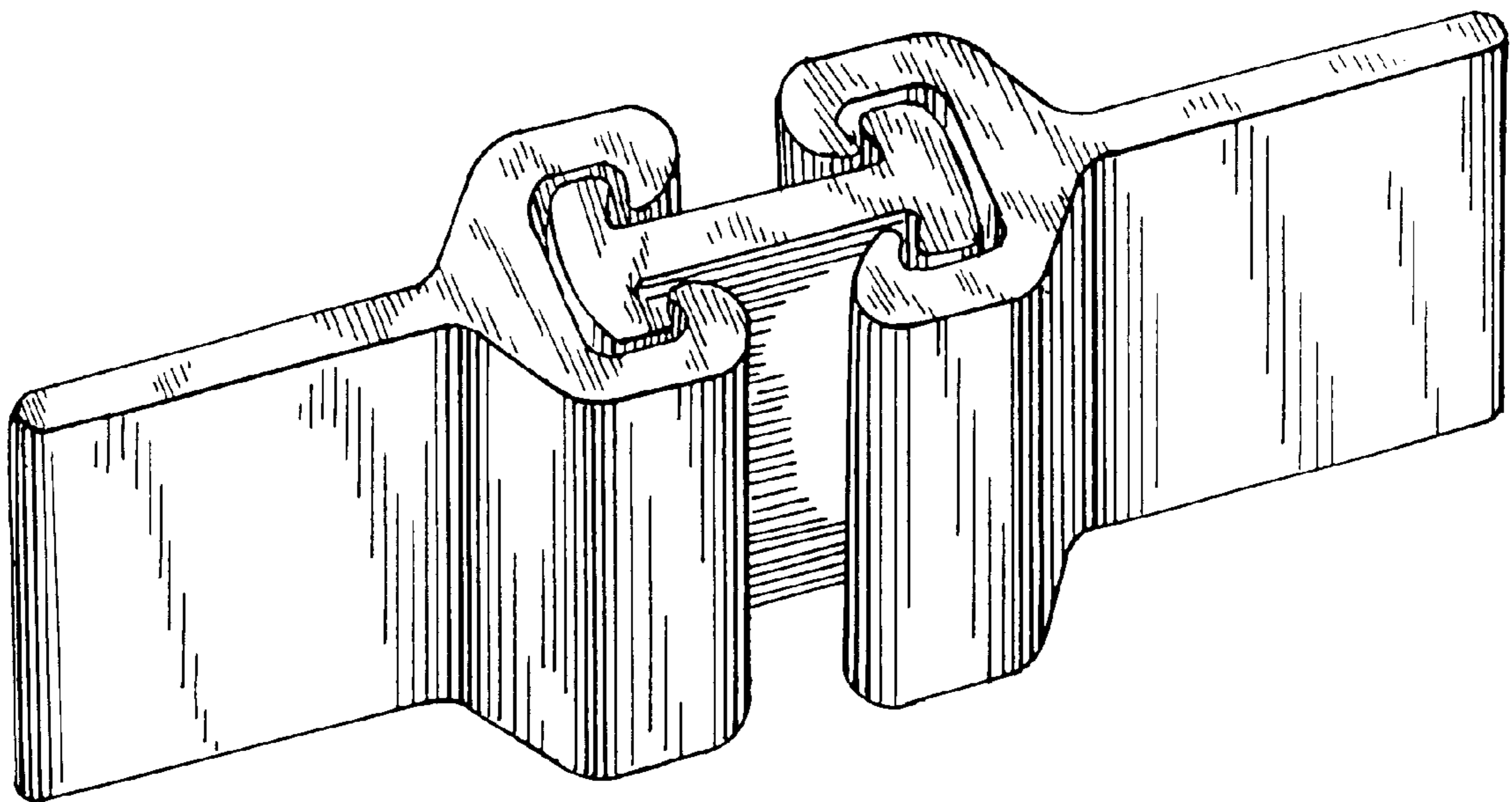


FIG. 1

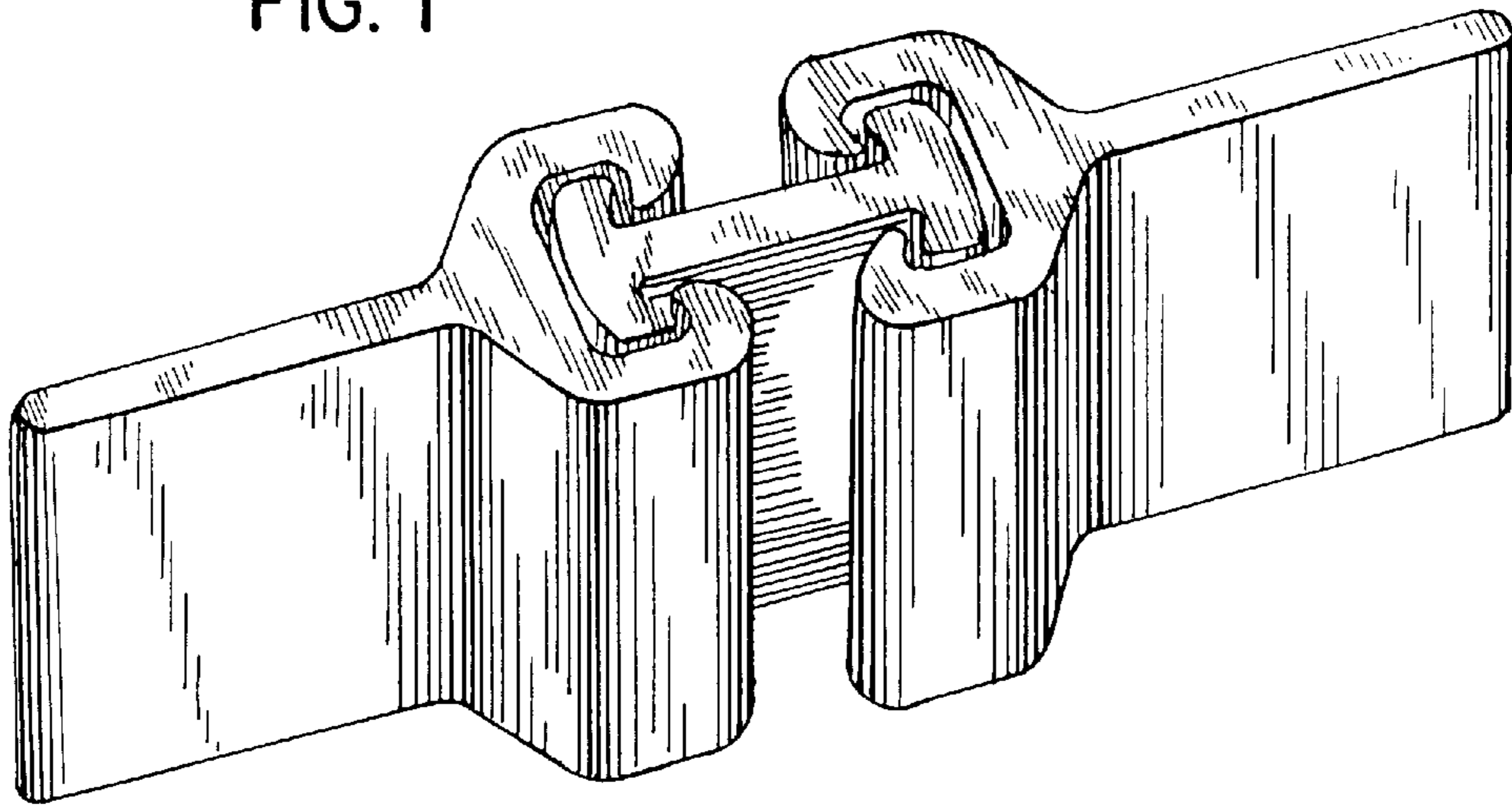
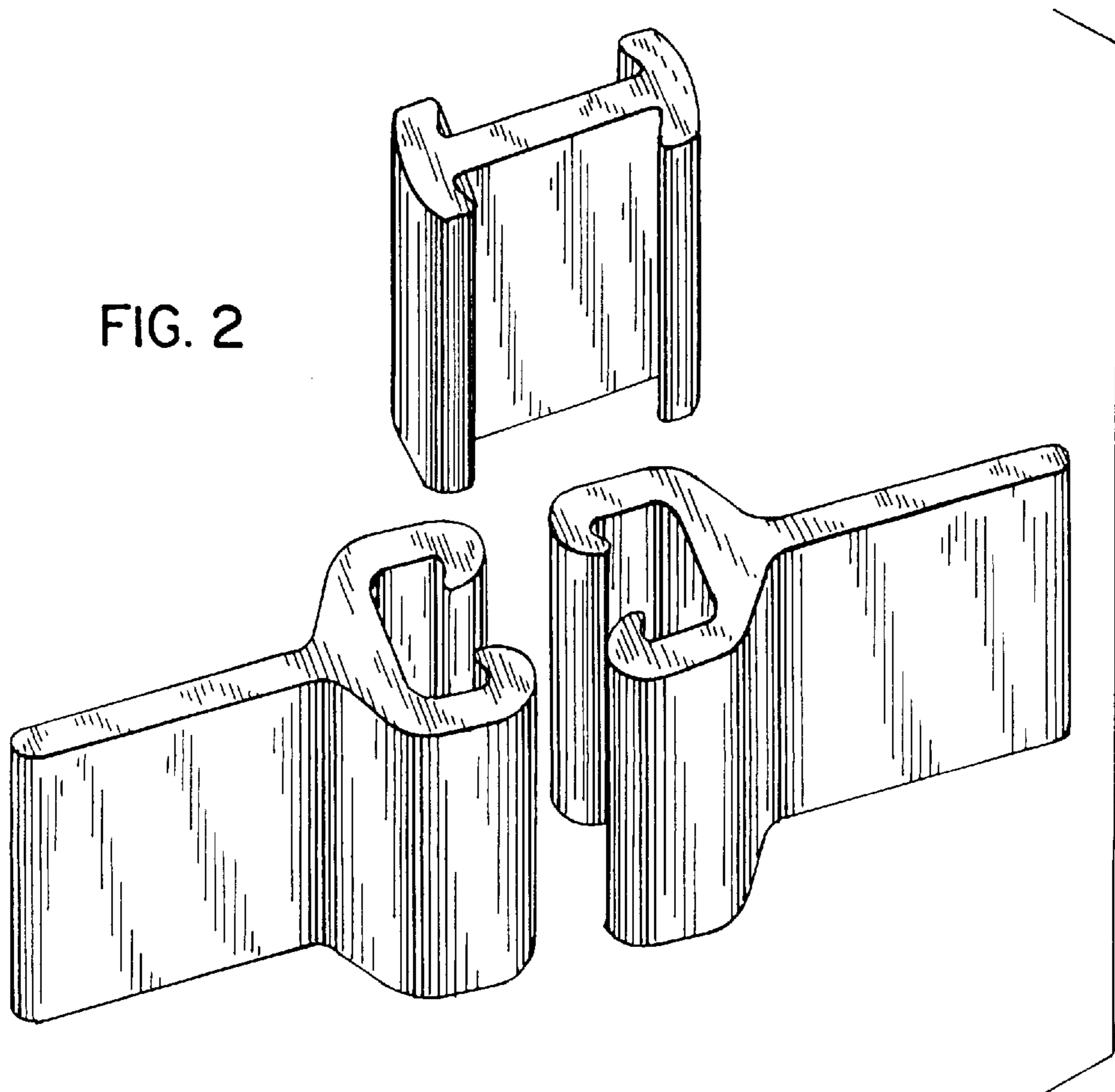


FIG. 2



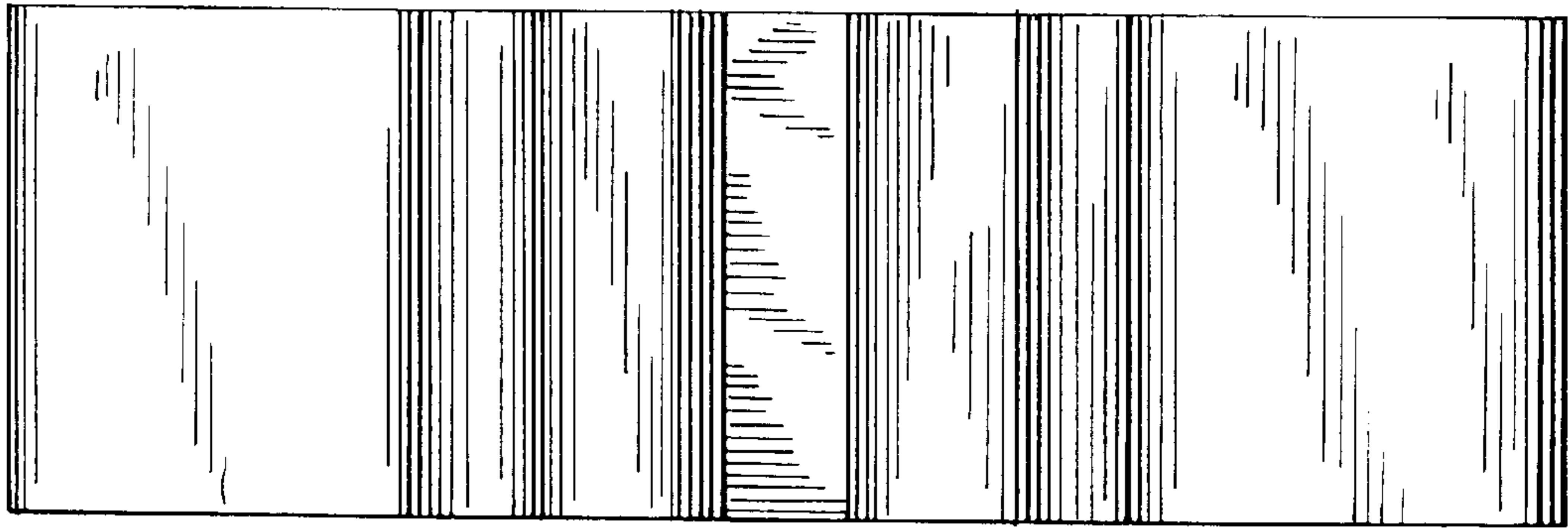


FIG. 3

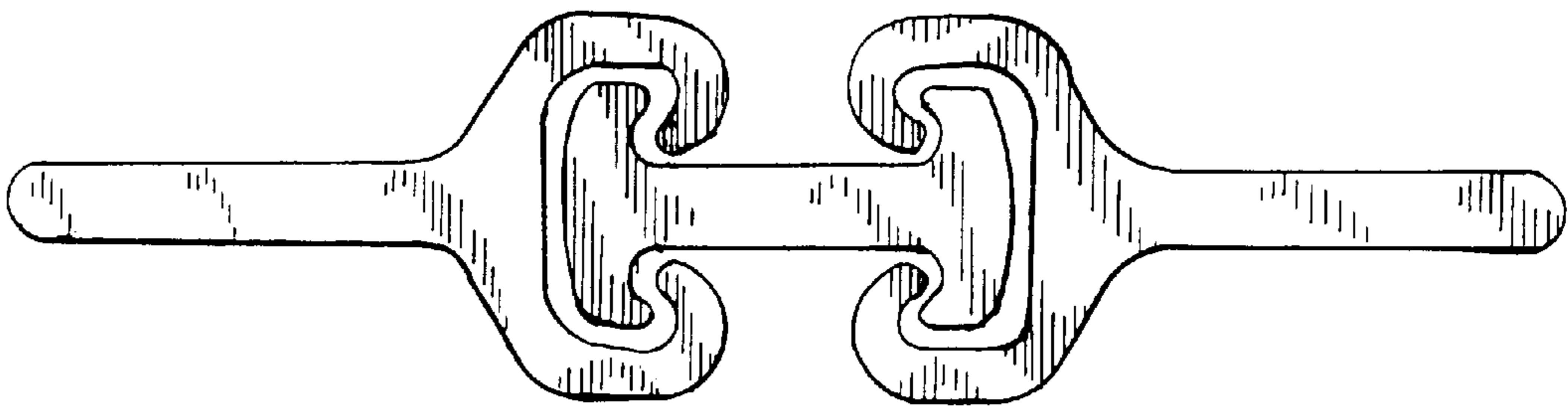


FIG. 4

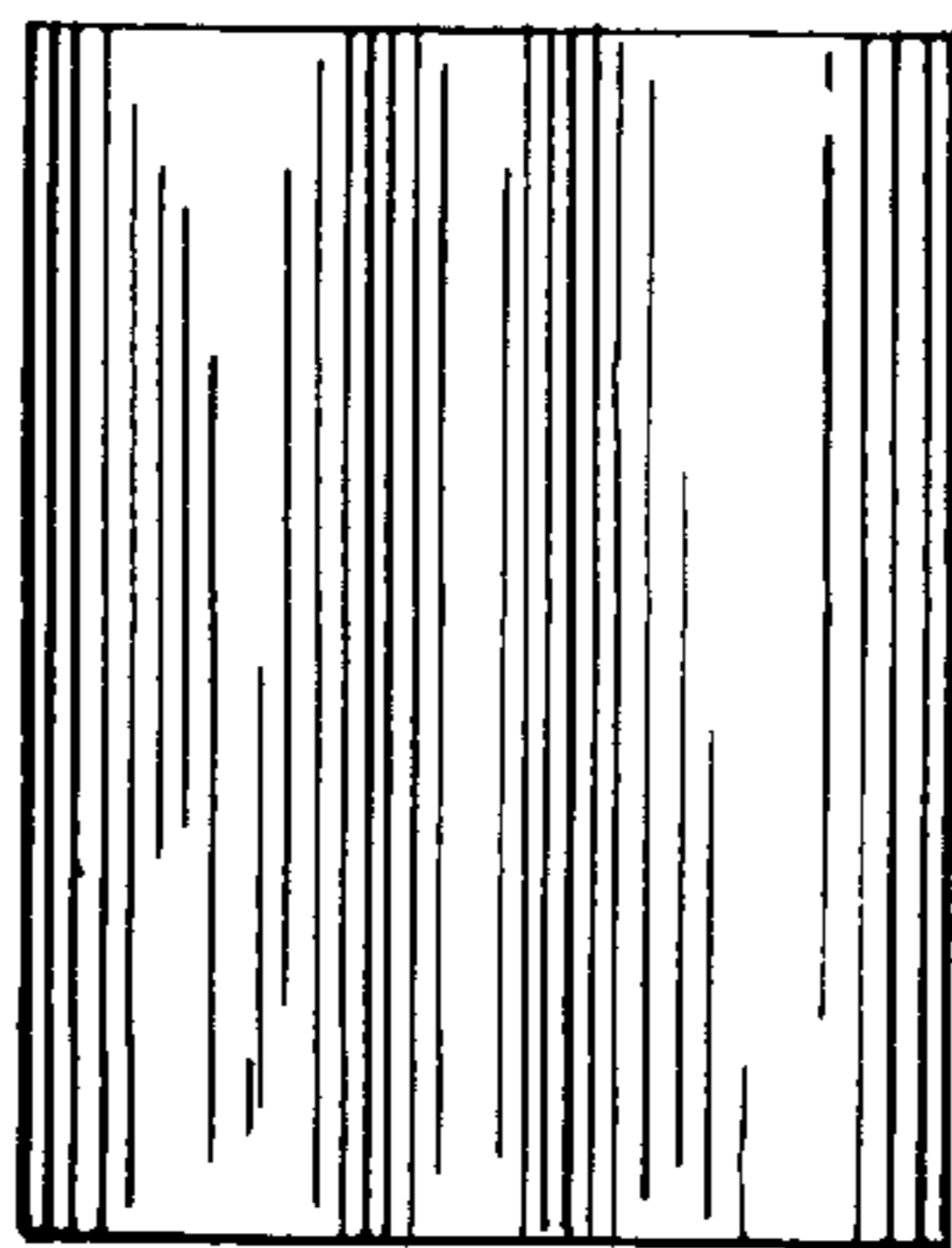


FIG. 5

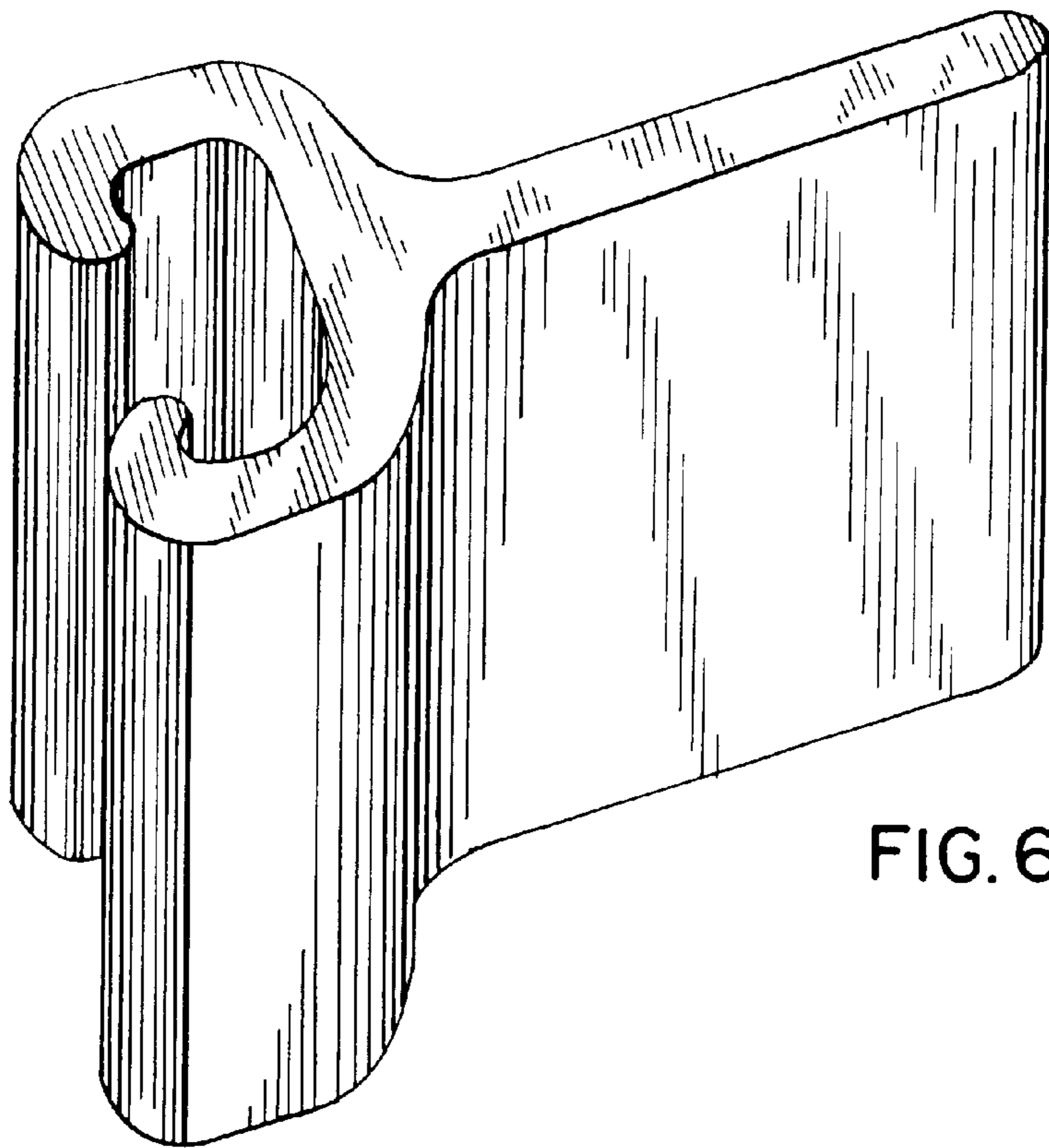


FIG. 6

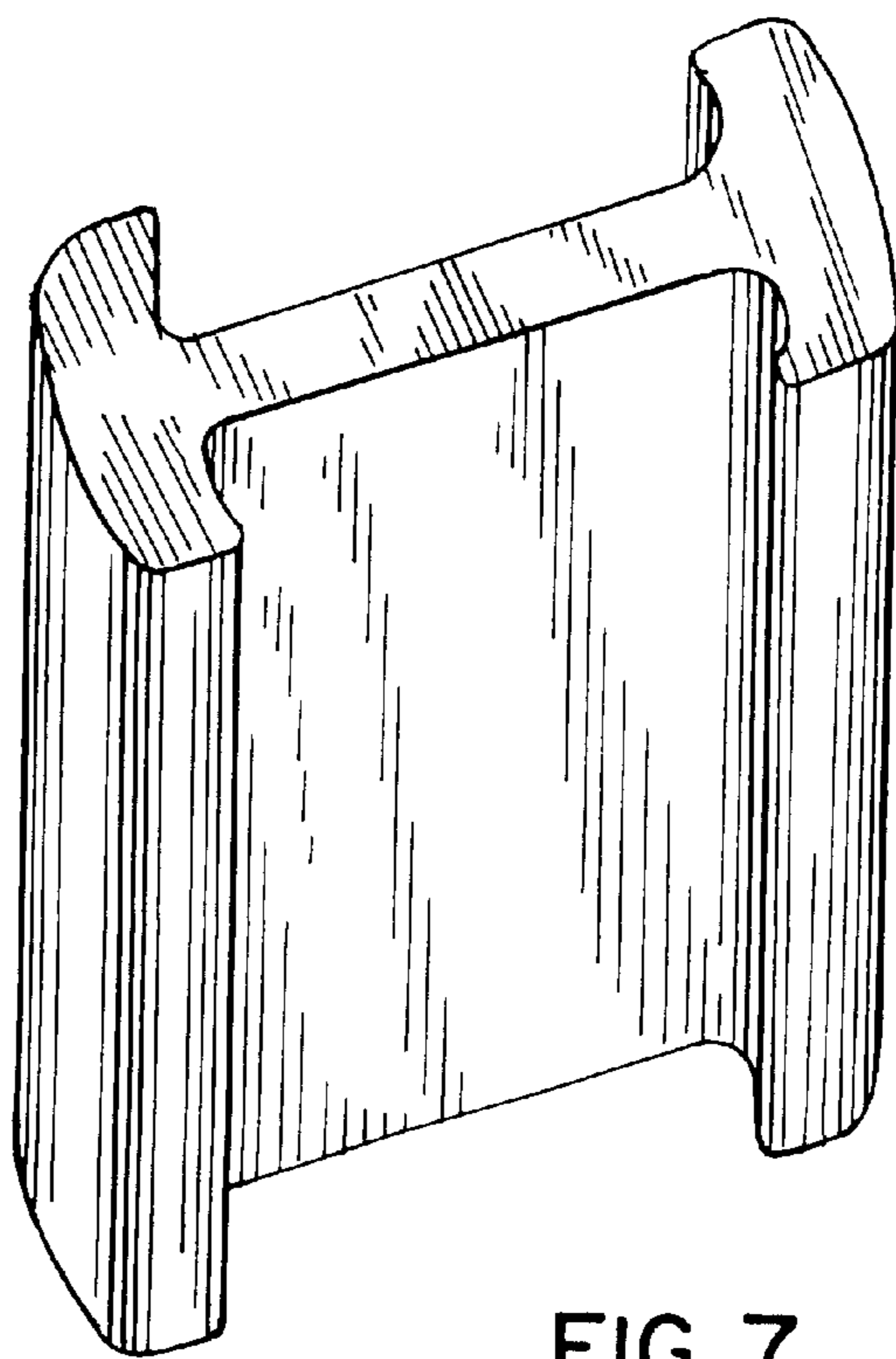


FIG. 7