



US00D421226S

United States Patent [19] Duke

[11] **Patent Number: Des. 421,226**

[45] **Date of Patent: ** Feb. 29, 2000**

[54] **CLOCK**

[75] Inventor: **Jim Duke**, Duluth, Ga.

[73] Assignee: **GTC Properties, Inc.**, Wilmington, Del.

[**] Term: **14 Years**

[21] Appl. No.: **29/093,910**

[22] Filed: **Sep. 21, 1998**

[51] **LOC (6) Cl.** **10-01**

[52] **U.S. Cl.** **D10/22**

[58] **Field of Search** D10/1-40, 122-132;
368/276-277, 285, 316-317

[56] **References Cited**

U.S. PATENT DOCUMENTS

D. 186,850	12/1959	Wills	D10/126
D. 210,741	4/1968	D'Ercoli	D10/24
D. 359,914	7/1995	Wilson	D10/22
D. 376,938	12/1996	Caldwell	D6/501
D. 413,272	8/1999	Duke	D10/22

OTHER PUBLICATIONS

European Jeweler—Apr. 1973—p. 105—watchcase at top-center.

European Jeweler—Jan. 1973—p. 88—clock at top-left.

UMBRA U.S.A. flyer for Q800 Copernicus Clock—Jul. 1, 1992.

Primary Examiner—Nelson C. Holtje
Attorney, Agent, or Firm—Jones, Day, Reavis & Pogue

[57] **CLAIM**

The ornamental design for a clock, as shown and described.

DESCRIPTION

FIG. 1 is a perspective view of the clock of the present invention;

FIG. 2 is a front elevational view of the clock of FIG. 1;

FIG. 3 is a top plan view of the clock of FIG. 1;

FIG. 4 is a rear elevational view of the clock of FIG. 1; and,

FIG. 5 is a right side elevational view of the clock of FIG. 1, the left side being substantially a mirror image thereof.

The broken line showing of “clock hands” in FIGS. 1 and 2 and for “clock legs” in FIGS. 1, 2, 4 and 5 is for environmental purposes only and forms no part of the claimed design.

1 Claim, 3 Drawing Sheets

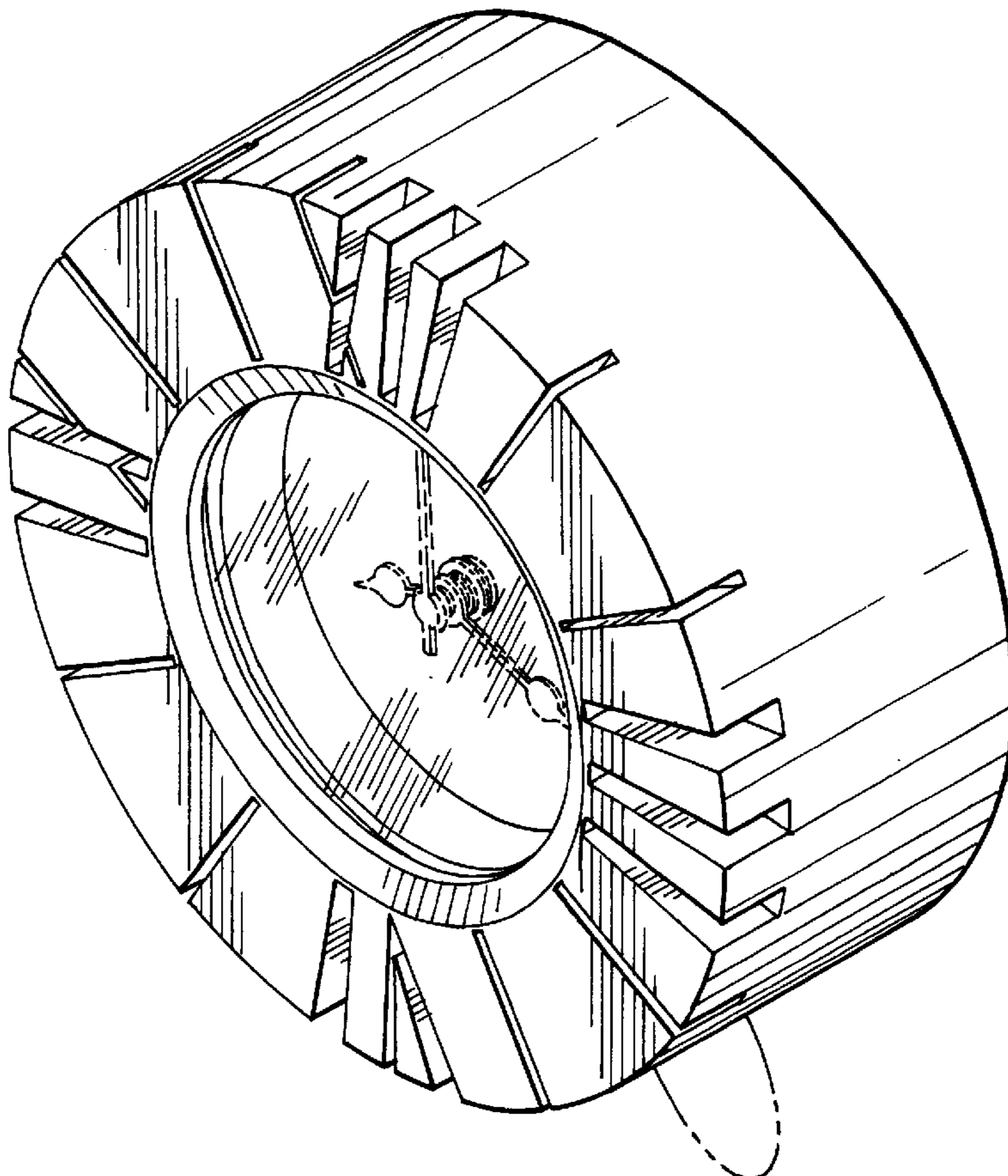


FIG. 1

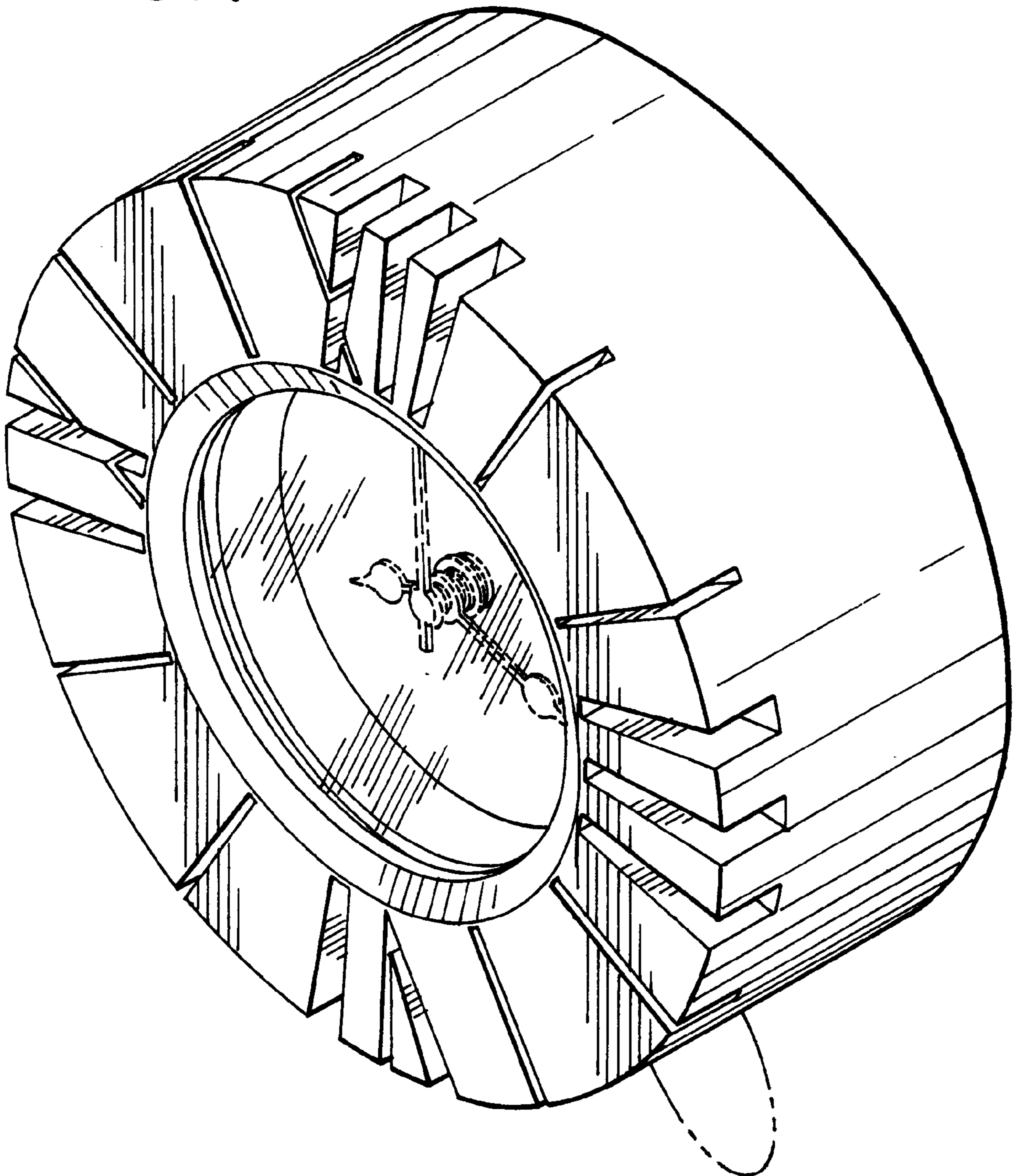


FIG.2

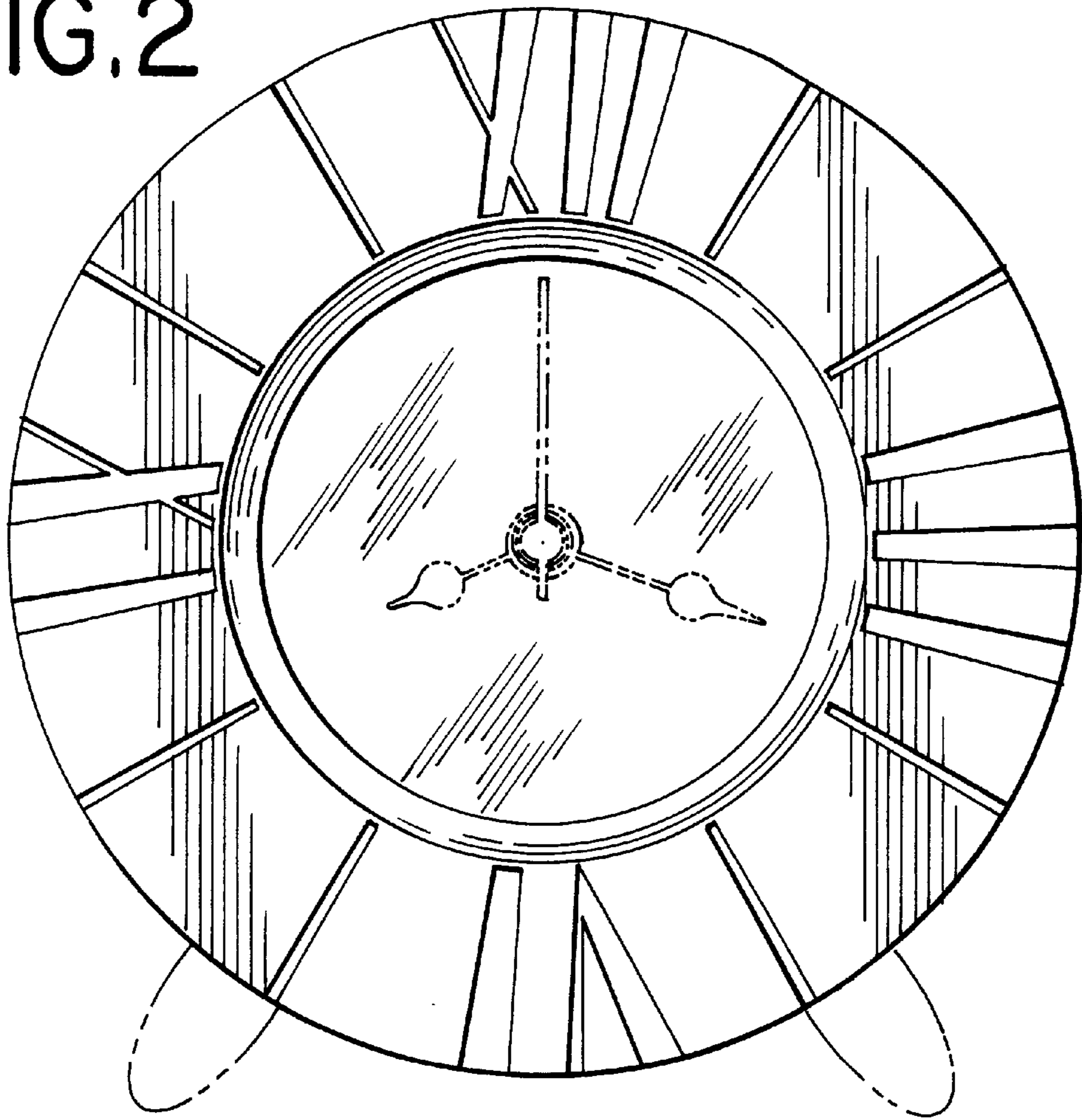


FIG.3

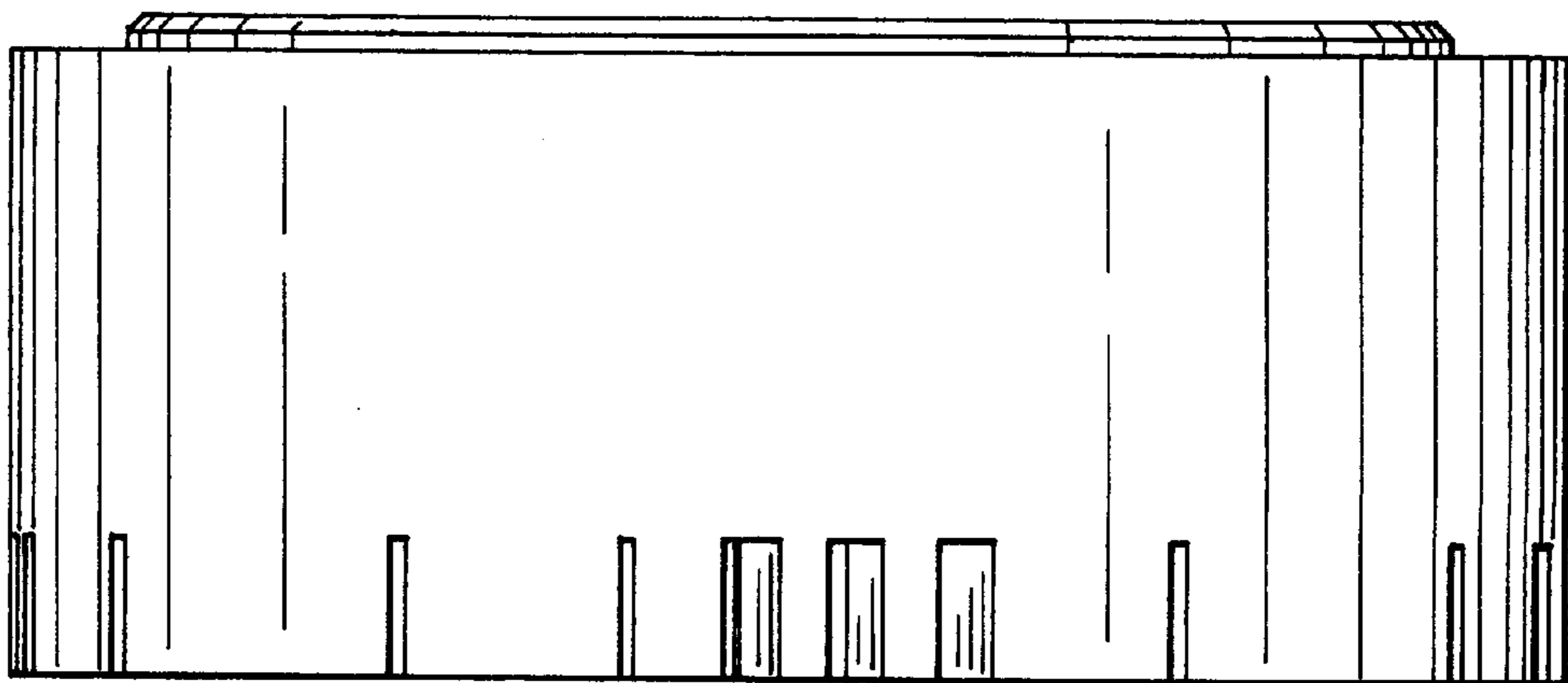


FIG.5

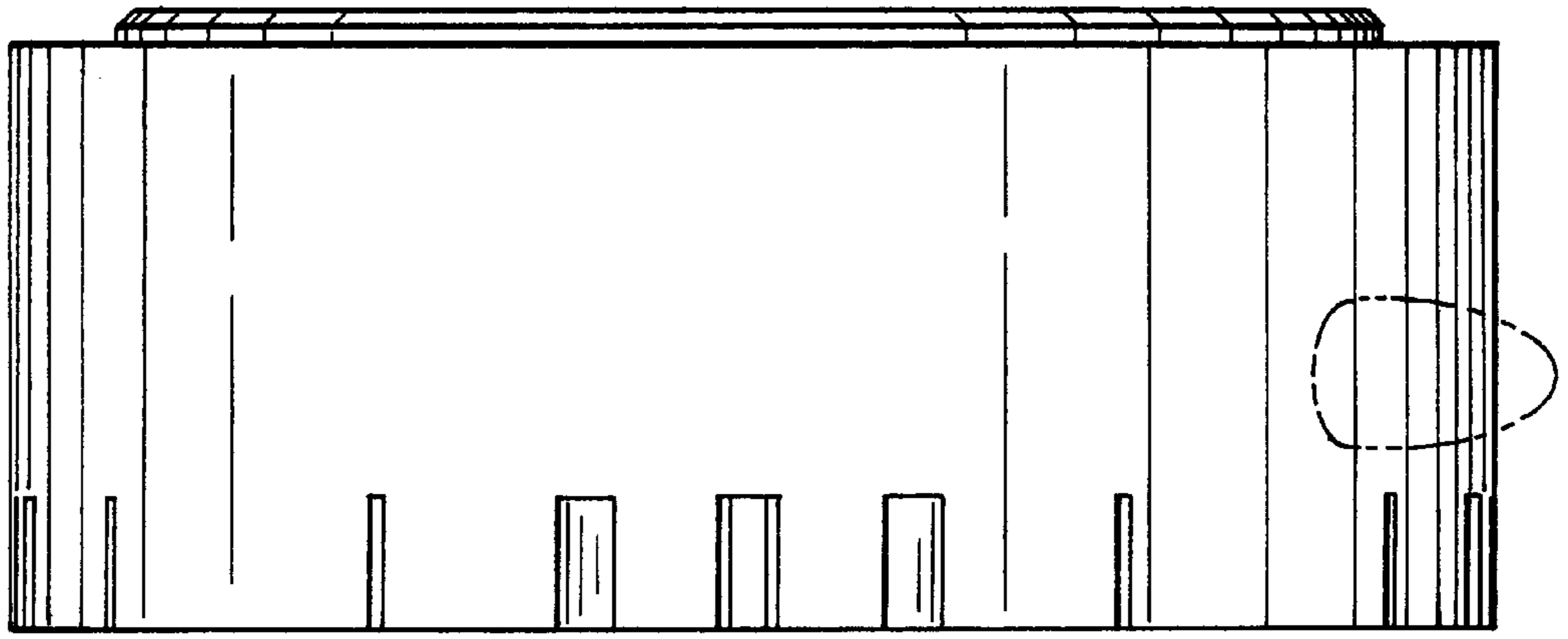


FIG.4

