



US00D421223S

# United States Patent [19]

[11] Patent Number: Des. 421,223

Briere et al.

[45] Date of Patent: \*\* Feb. 29, 2000

[54] **SLOTTED SAFETY CLOSURE HAVING OVERSIZED THUMBPADS**

[75] Inventors: **Marc A. Briere**, Newburgh;  
**Christopher B. Clodfelter**; **William D. Sprick**, both of Evansville, all of Ind.

4,351,443 9/1982 Uhlig .  
4,376,497 3/1983 Mumford ..... 215/216 X  
4,413,743 11/1983 Summers .  
4,452,363 6/1984 Davis ..... 215/216  
4,456,136 6/1984 Palsson .  
4,653,672 3/1987 Tuerk et al. .... 215/216 X  
4,667,836 5/1987 McLaren ..... 215/216  
4,756,435 7/1988 Schick et al. .  
4,986,430 1/1991 Dutt ..... 215/253  
5,050,754 9/1991 Marino ..... 215/256  
5,292,020 3/1994 Narin .  
5,456,375 10/1995 May ..... 215/252  
5,460,281 10/1995 Rapchak et al. .  
5,462,182 10/1995 Opresco .  
5,560,505 10/1996 Schneider et al. .  
5,673,809 10/1997 Ohmi et al. .... 215/252  
5,727,703 3/1998 Fuchs ..... 215/214  
5,819,967 10/1998 Lo ..... 215/216 X  
5,865,330 2/1999 Buono ..... 215/216

[73] Assignee: **Rexam Plastics Inc.**, Evansville, Ind.

[\*\*] Term: **14 Years**

[21] Appl. No.: **29/093,138**

[22] Filed: **Sep. 4, 1998**

### Related U.S. Application Data

[63] Continuation-in-part of application No. 08/861,793, May 22, 1997, Pat. No. 5,836,466.

[51] **LOC (6) Cl.** ..... **09-07**

[52] **U.S. Cl.** ..... **D9/453**; D9/438

[58] **Field of Search** ..... D9/435, 438, 443, D9/445, 453, 454, 503, 504, 529; 215/214, 216, 217, 250, 252-254, 256, 257; 220/265, 266, 270, 276, 279, 280

### References Cited

#### U.S. PATENT DOCUMENTS

D. 162,893 4/1951 Soffer ..... D9/443  
D. 162,894 4/1951 Soffer ..... D9/443  
D. 241,317 9/1976 Brackman ..... D9/529 X  
D. 370,845 6/1996 Sherman et al. .... D9/438  
D. 405,371 2/1999 Herr ..... D9/453 X  
3,399,796 9/1968 Steiner .  
3,445,022 5/1969 Cilluffo .  
3,794,200 2/1974 Marks .  
3,848,761 11/1974 Libit .  
3,904,062 9/1975 Grussen ..... 215/252  
3,934,744 1/1976 Curry .  
3,949,893 4/1976 Uhlig .  
3,984,021 10/1976 Uhlig .  
3,993,208 11/1976 Ostrowsky .  
3,993,209 11/1976 Julian .  
4,037,747 7/1977 Acton et al. .  
4,213,534 7/1980 Montgomery .  
4,345,690 8/1982 Hopley .

### FOREIGN PATENT DOCUMENTS

WO 90/02692 3/1990 WIPO .

*Primary Examiner*—Cathron B. Matta  
*Attorney, Agent, or Firm*—Middleton & Reutlinger; John F. Salazar; Charles G. Lamb

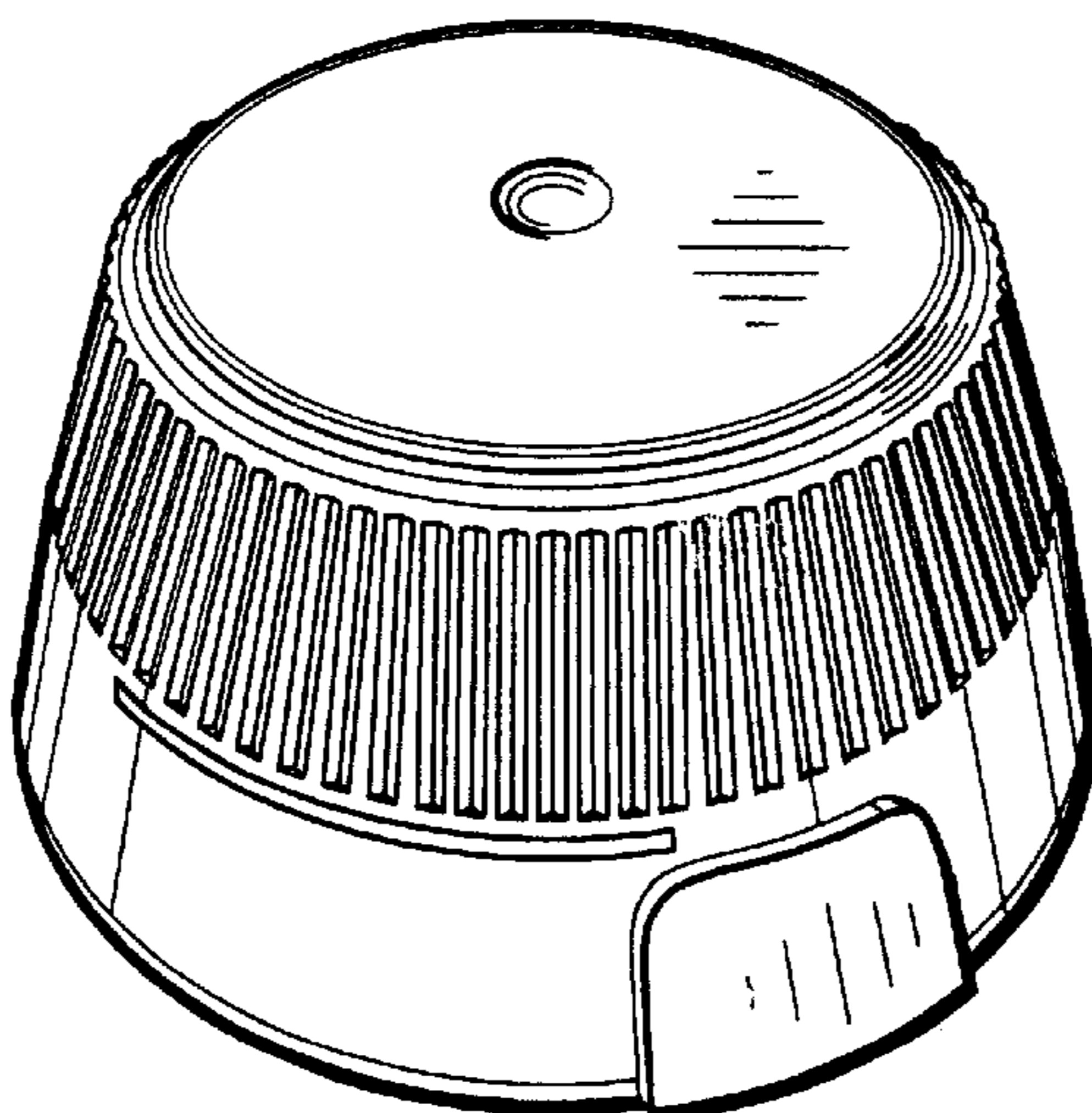
### [57] CLAIM

The ornamental design for a slotted safety closure having oversized thumbpads, as shown and described.

### DESCRIPTION

FIG. 1 is a top perspective view of a slotted safety closure having oversized thumbpads according to a preferred embodiment of the present invention;  
FIG. 2 is a front view of the slotted safety closure having oversized thumbpads according to FIG. 1;  
FIG. 3 is a left-side view of the slotted safety closure having oversized thumbpads according to FIG. 1;  
FIG. 4 is a top view of the slotted safety closure having oversized thumbpads according to FIG. 1;  
FIG. 5 is a bottom view of the slotted safety closure having oversized thumbpads according to FIG. 1; and,  
FIG. 6 is a bottom perspective view of the slotted safety closure having oversized thumbpads according to FIG. 1.

1 Claim, 3 Drawing Sheets



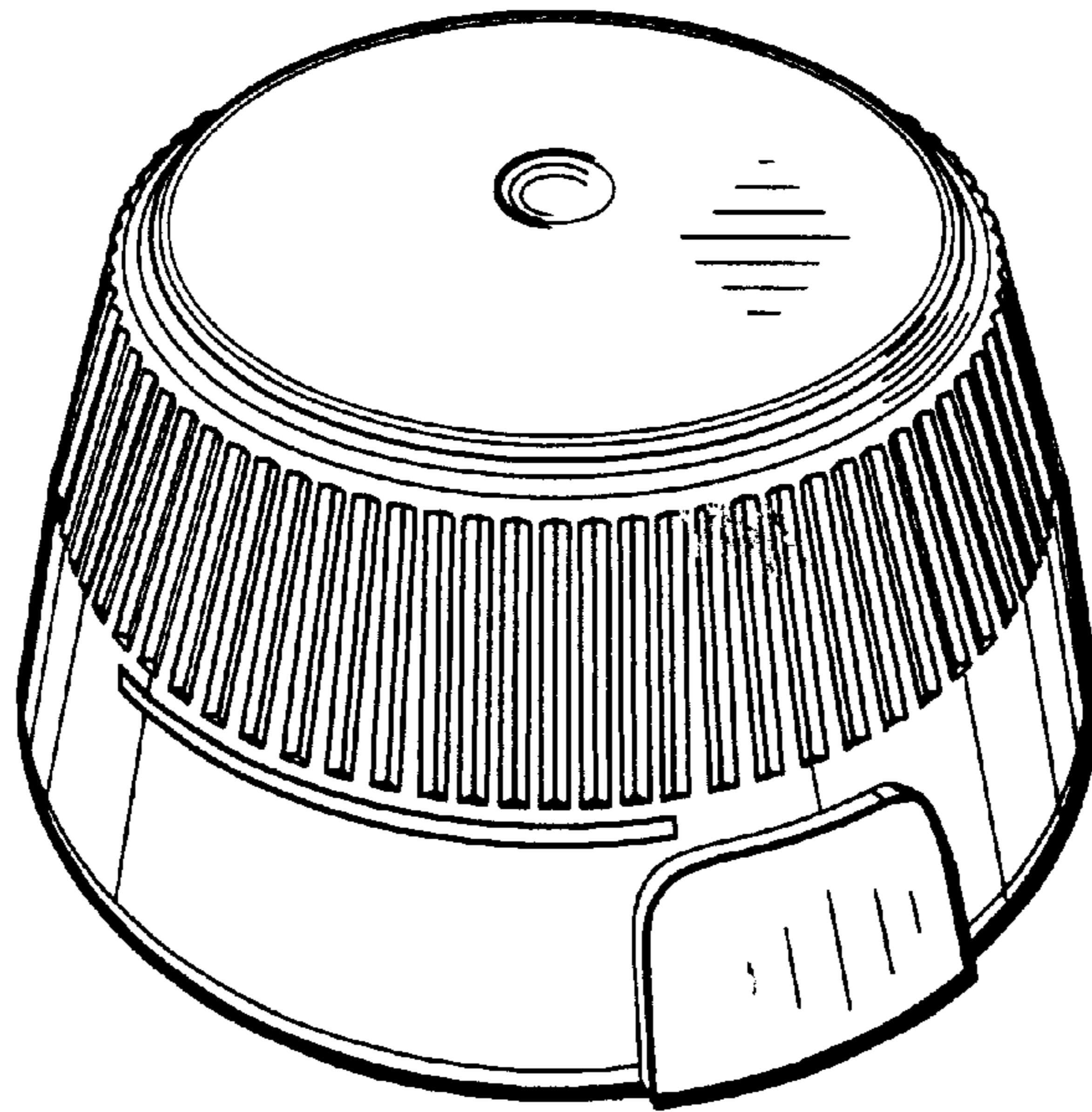


FIG. 1

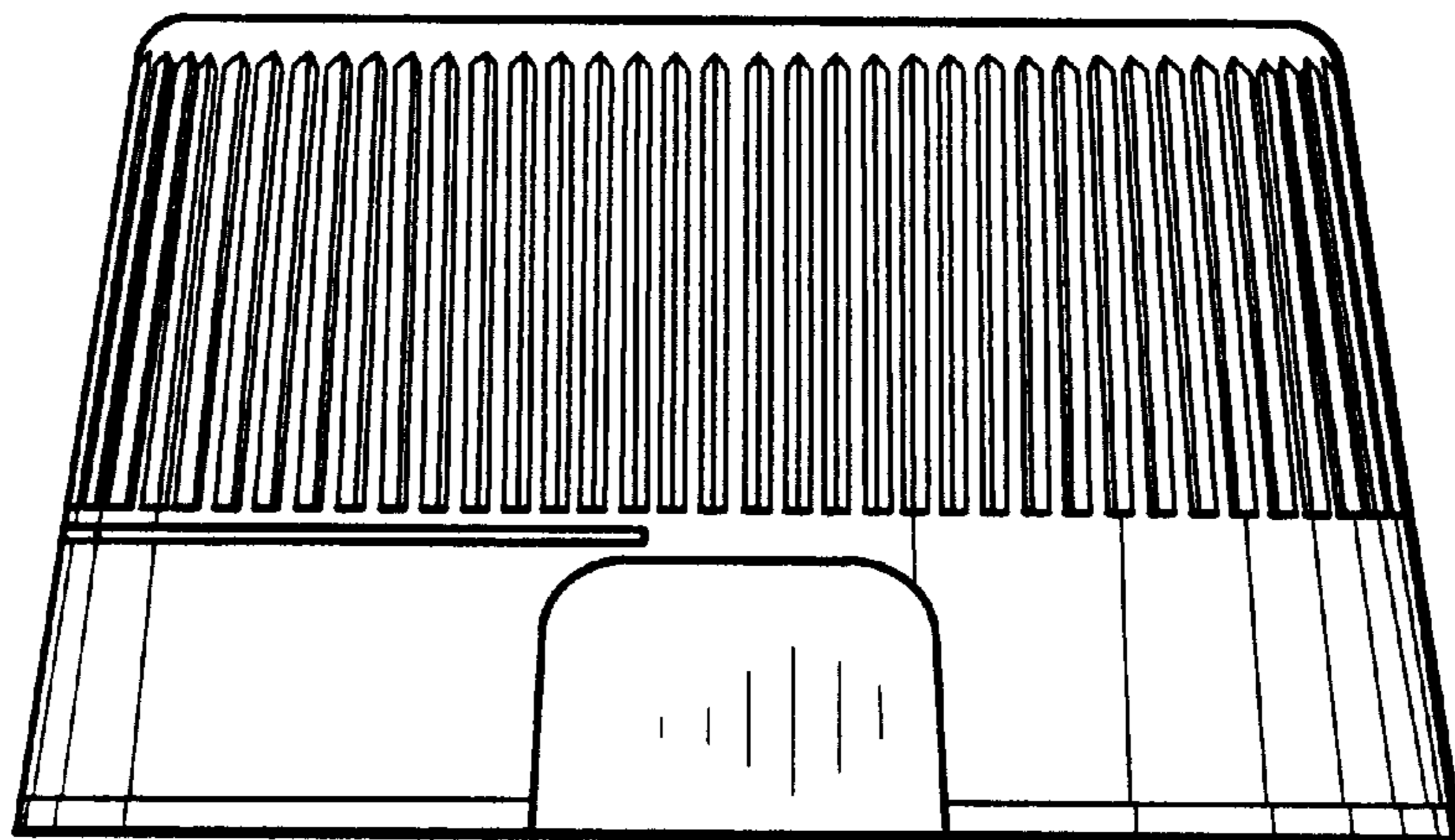


FIG. 2

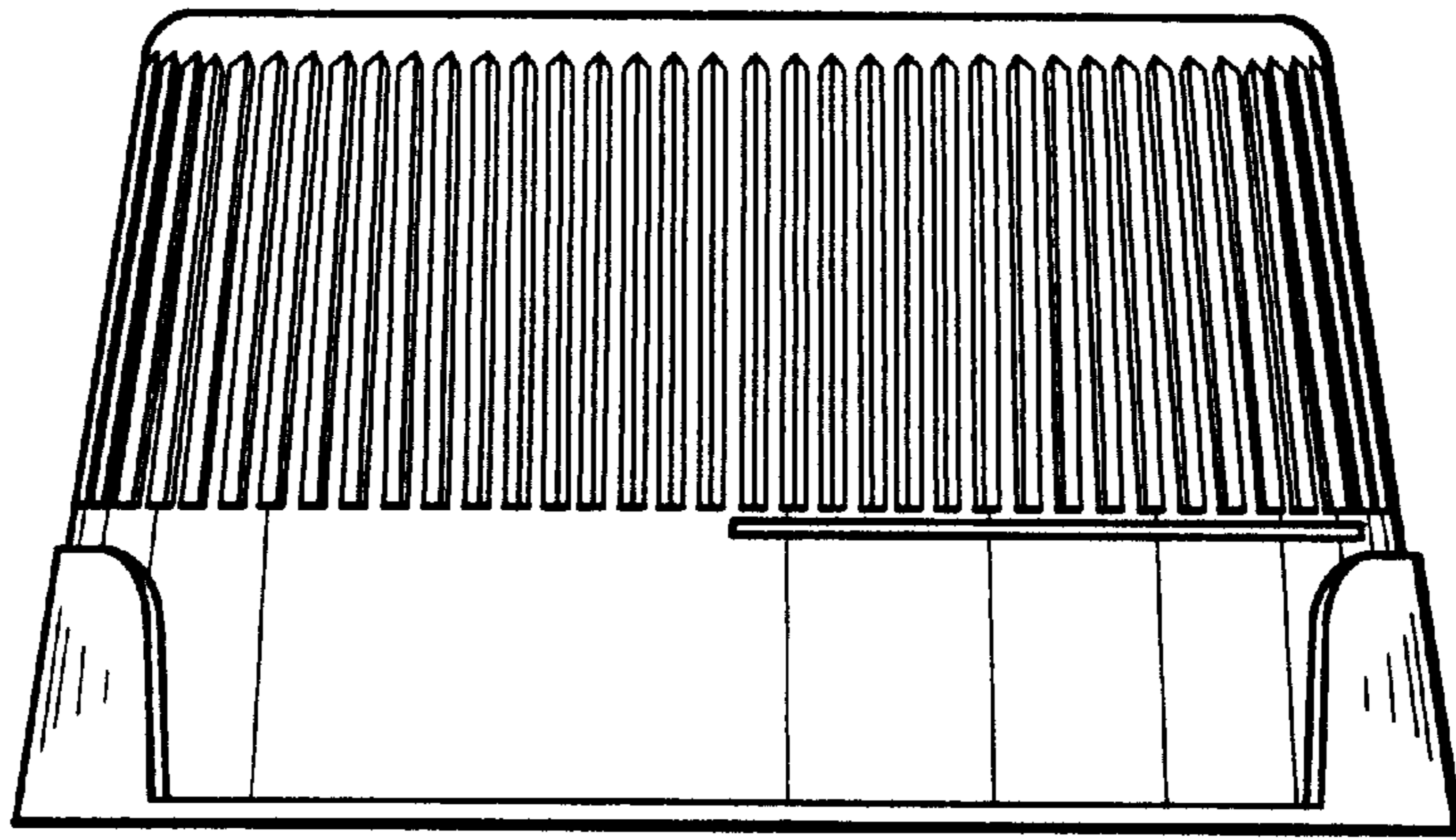


FIG. 3

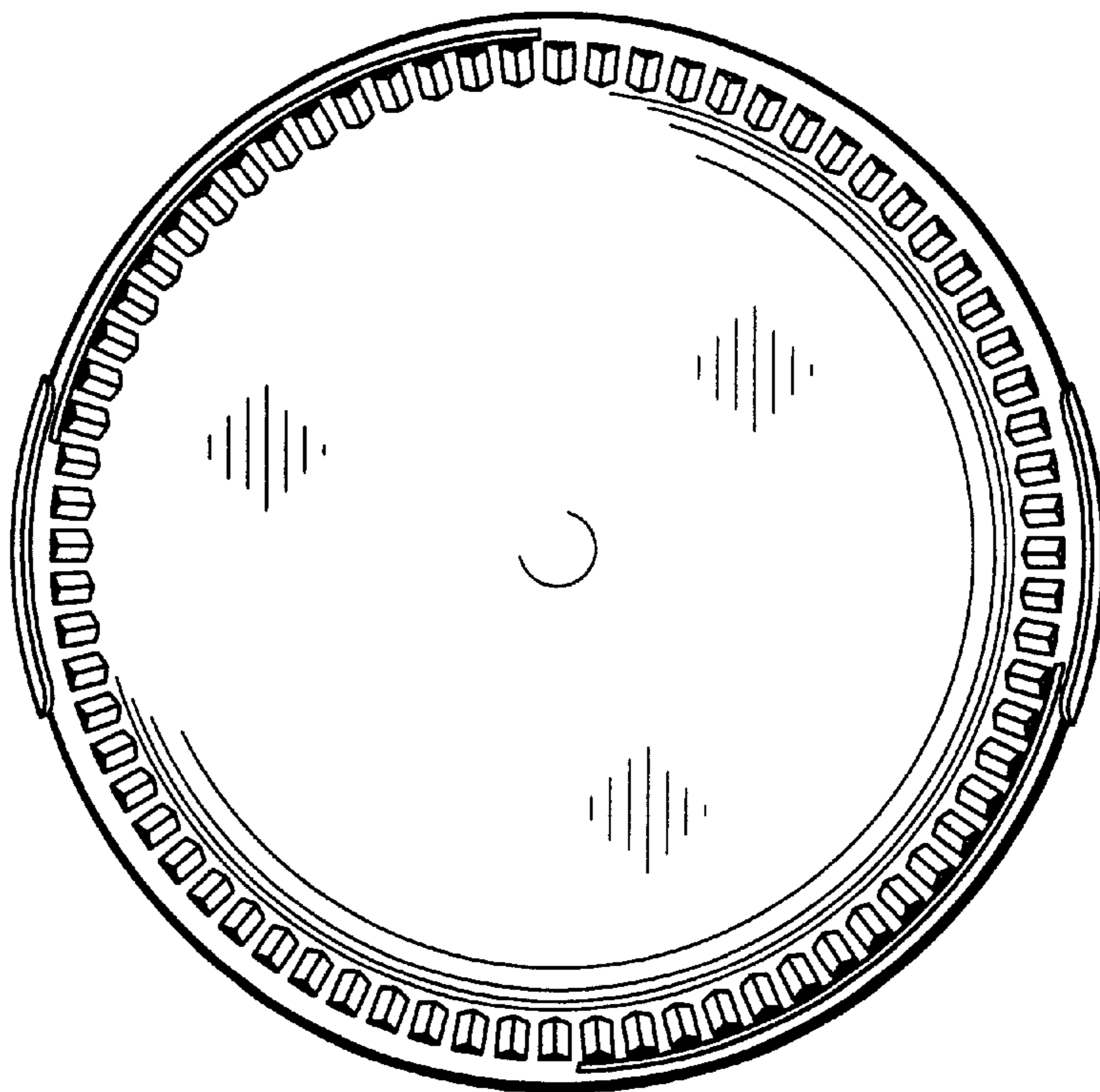


FIG. 4

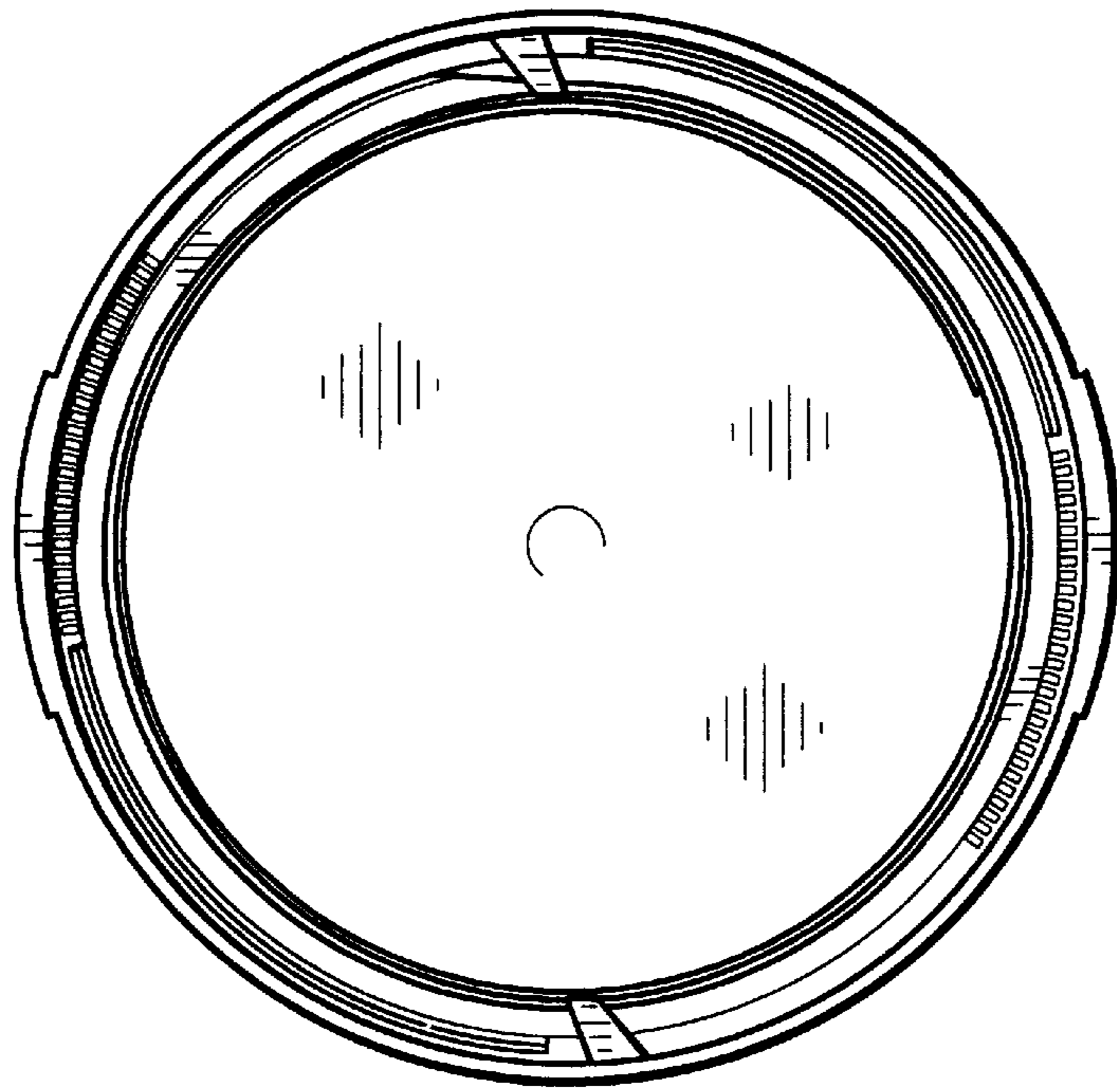


FIG. 5

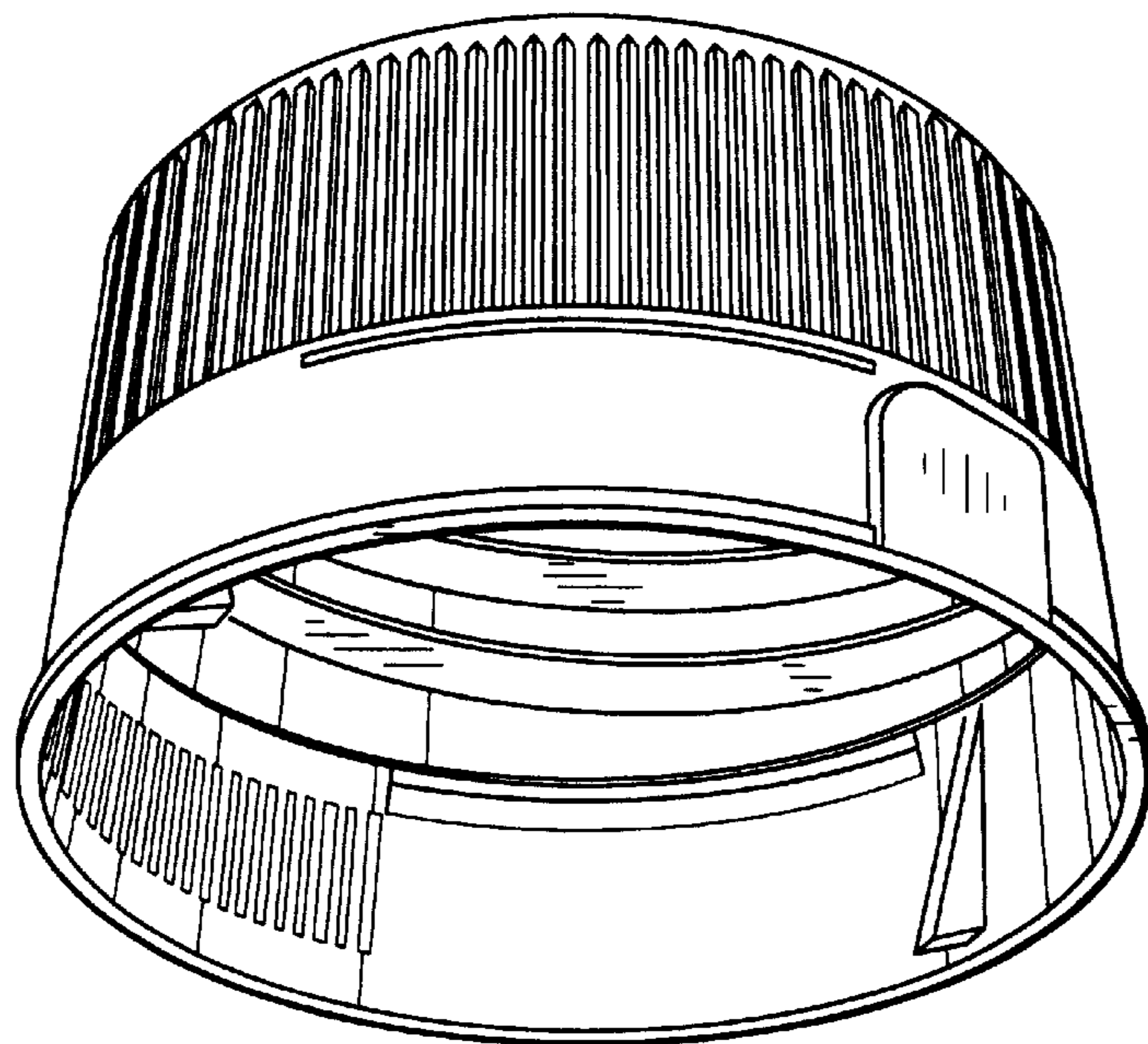


FIG. 6