



US00D421222S

# United States Patent [19]

[11] **Patent Number: Des. 421,222**

**Boyer et al.**

[45] **Date of Patent: \*\* Feb. 29, 2000**

[54] **CLOSURE**

D. 259,861	7/1981	Hirtle .....	D9/450
4,726,482	2/1988	Barriac .....	215/307 X
5,294,015	3/1994	Landis .....	D9/449 X

[75] Inventors: **Christopher Todd Boyer**, Oak Park, Ill.; **Arnold George Benecke**, Indian Springs, Ohio

*Primary Examiner*—Cathron B. Matta  
*Attorney, Agent, or Firm*—James C. Vago; Elizabeth M. Koch

[73] Assignee: **The Procter & Gamble Company**, Cincinnati, Ohio

[\*\*] Term: **14 Years**

[57] **CLAIM**

[21] Appl. No.: **29/096,285**

The ornamental design for a closure, as shown and described.

[22] Filed: **Nov. 9, 1998**

**DESCRIPTION**

[51] **LOC (6) Cl.** ..... **09-07**

FIG. 1 is a perspective top view of a closure, embodying our new design;

[52] **U.S. Cl.** ..... **D9/447; D9/452**

FIG. 2 is a perspective bottom view thereof;

[58] **Field of Search** ..... D9/435, 440, 447, D9/449, 450, 452, 454; D7/392, 510, 511; 215/307, 310; 220/367.1, 562, 563; 222/566, 570

FIG. 3 is a top view thereof

FIG. 4 is a side view thereof;

FIG. 5 is a side view similar to that of FIG. 4, but rotated 10° about the vertical axis; and,

FIG. 6 is a bottom view thereof.

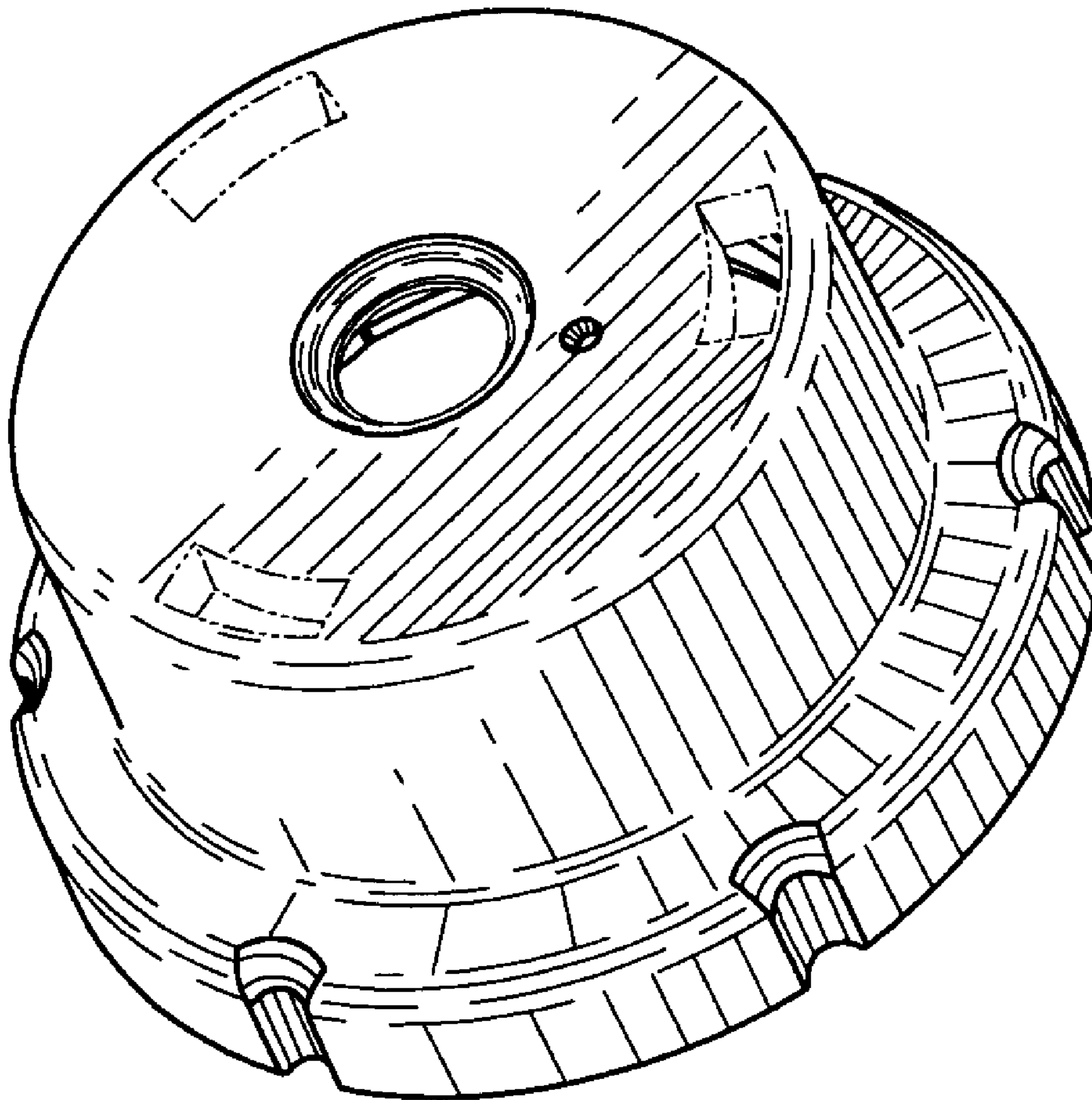
The broken lines shown in the drawings are for illustrative purposes only and form no part of the claimed design.

[56] **References Cited**

**U.S. PATENT DOCUMENTS**

D. 259,704 6/1981 Castronova ..... D9/447

**1 Claim, 2 Drawing Sheets**



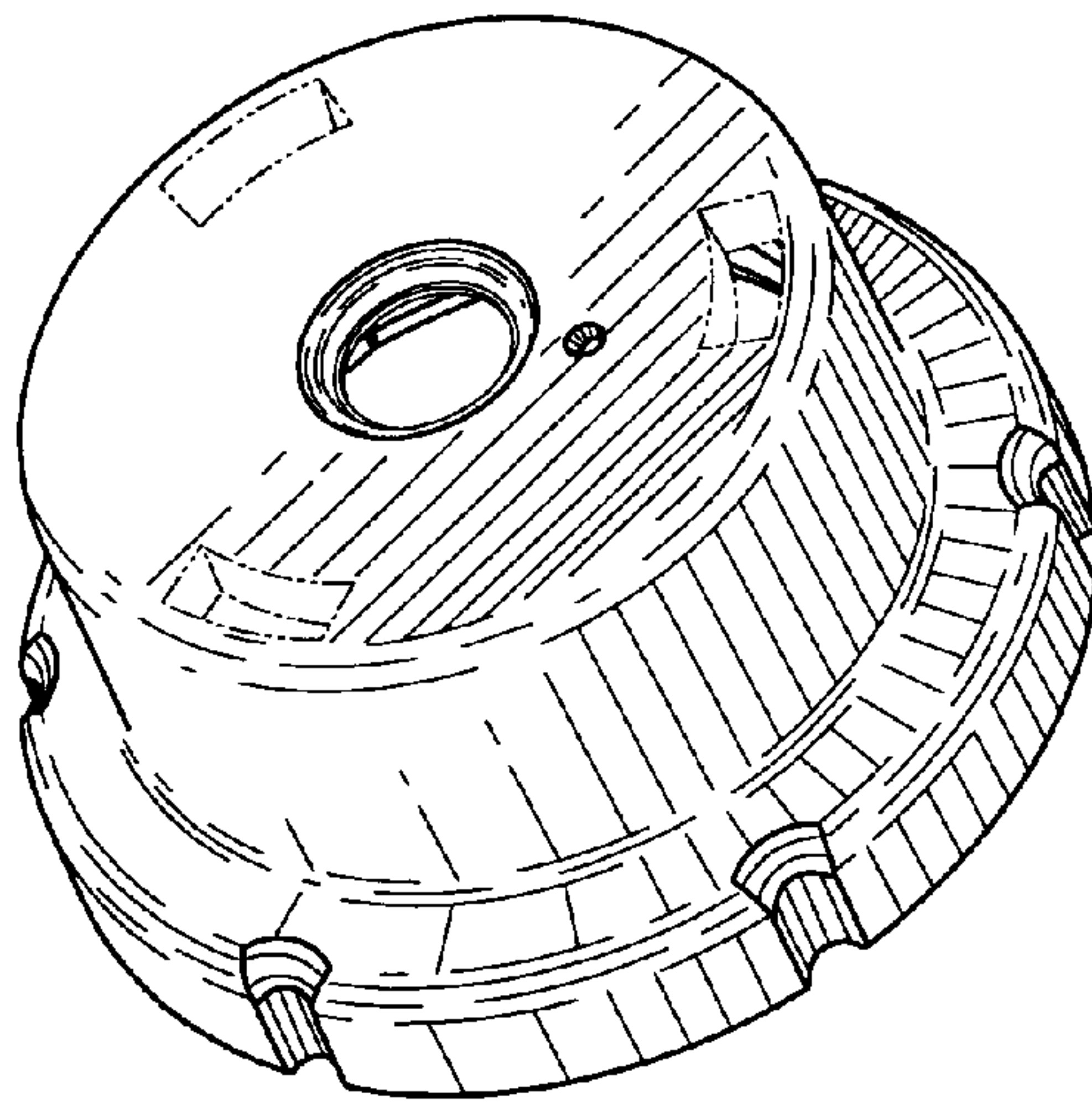


Fig. 1

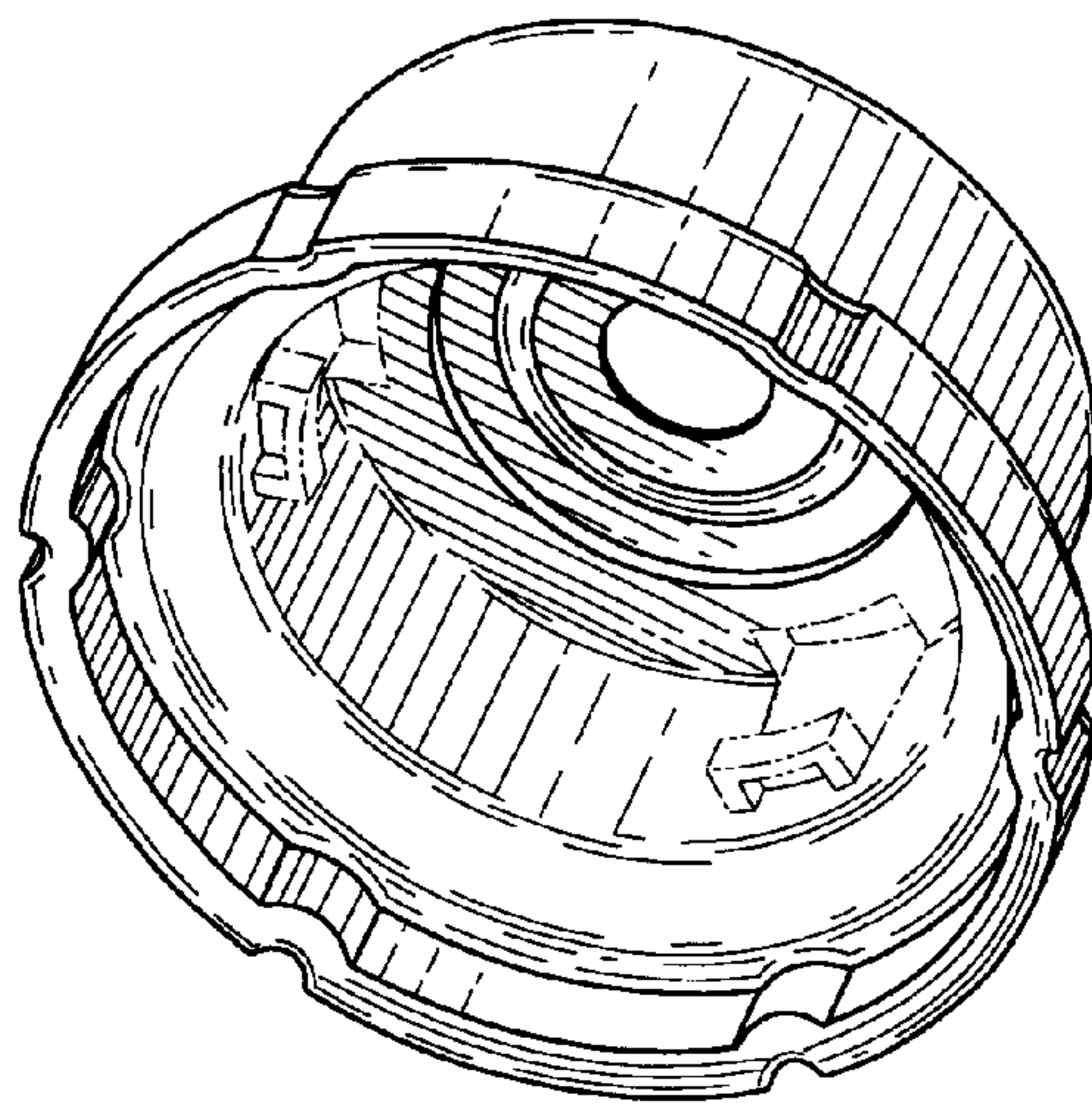


Fig. 2

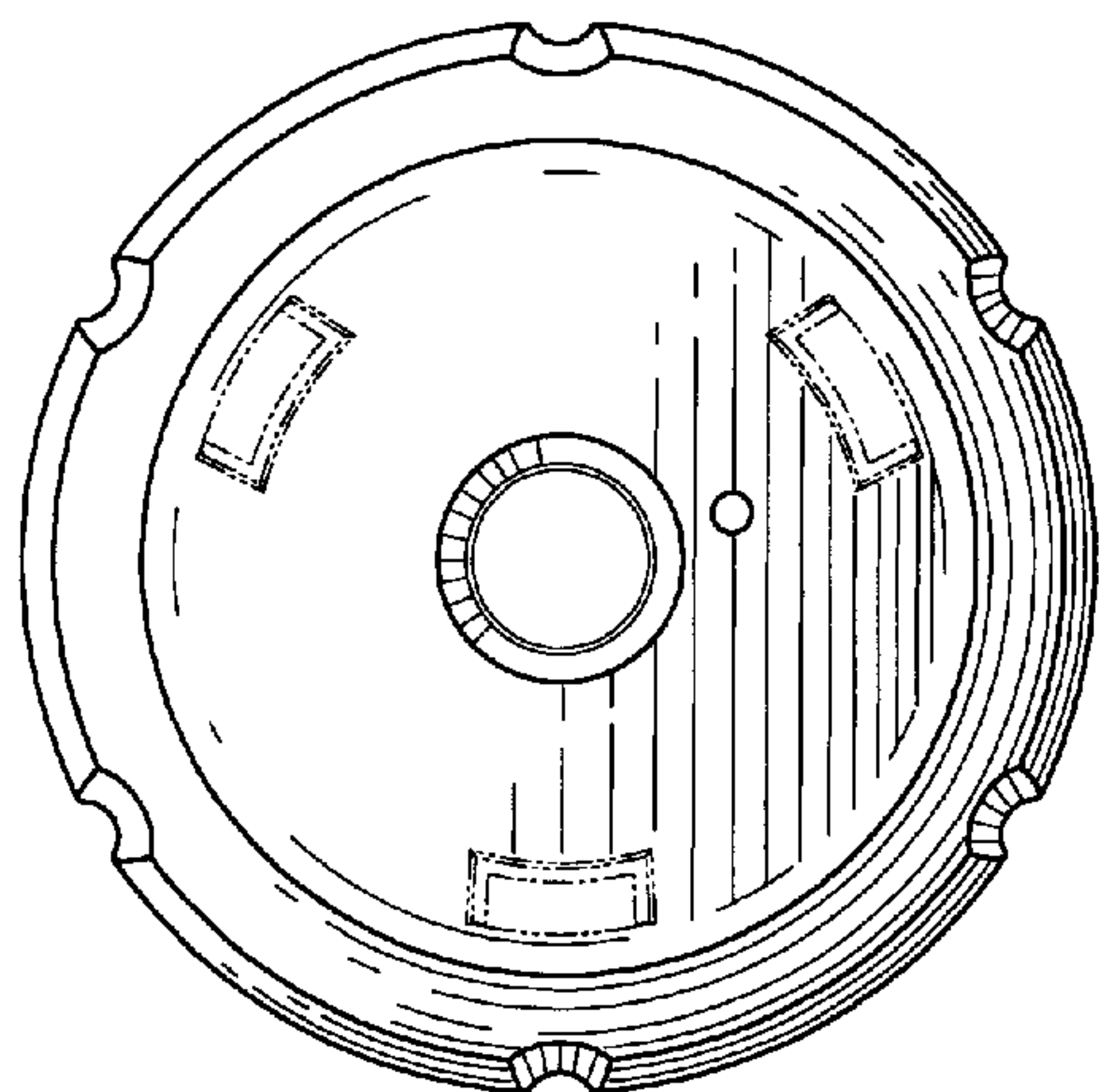


Fig. 3

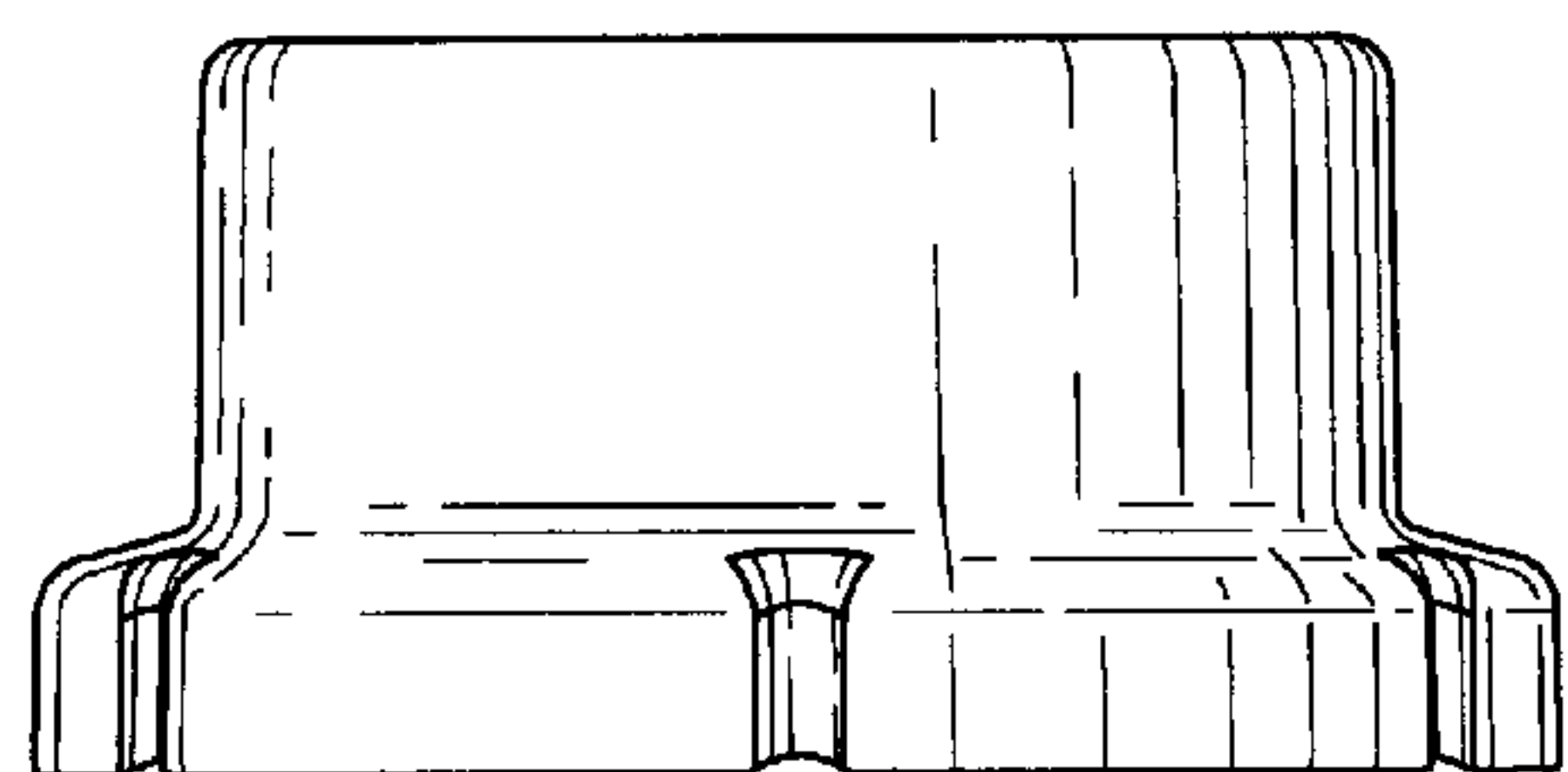


Fig. 4

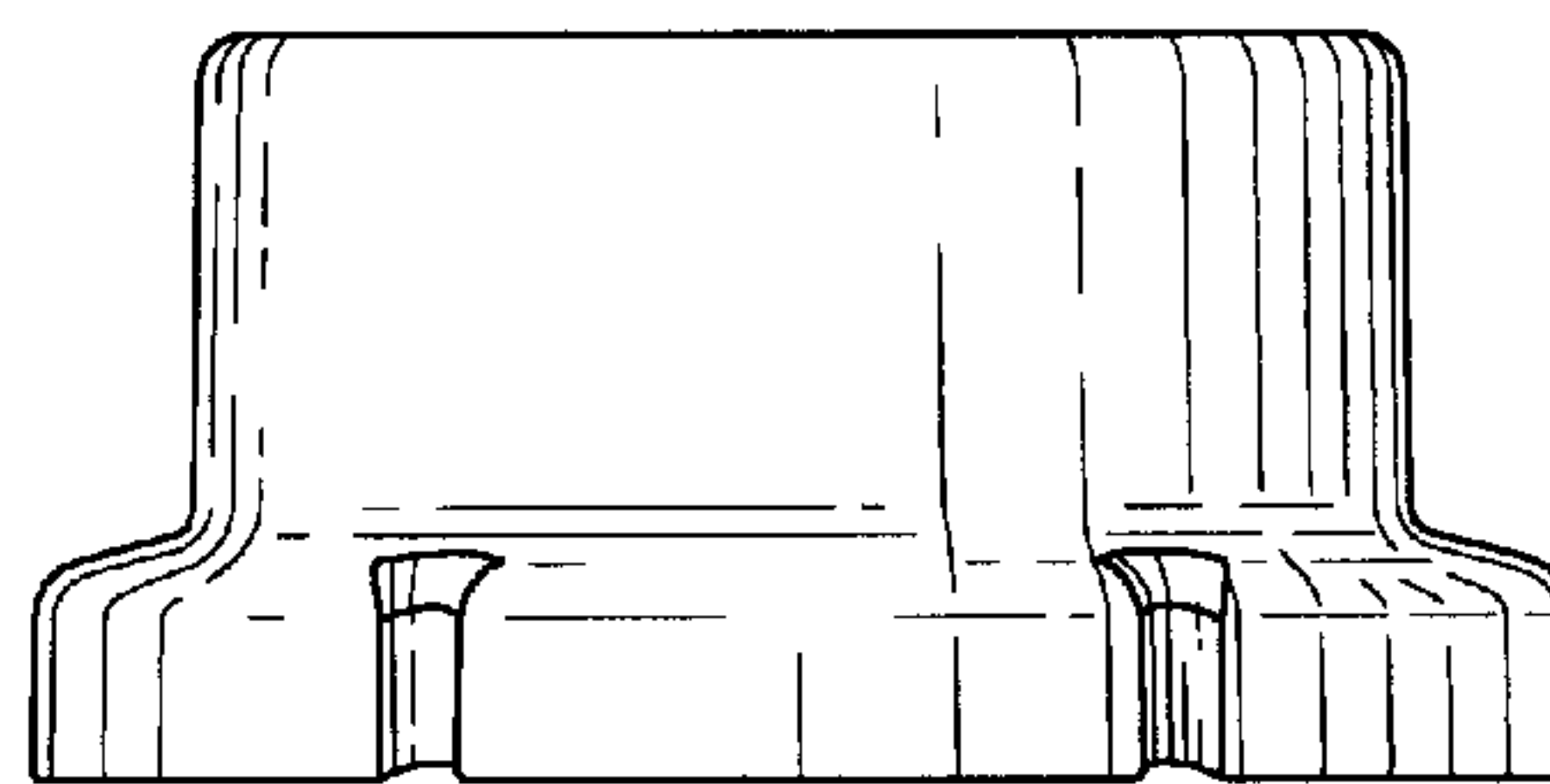


Fig. 5

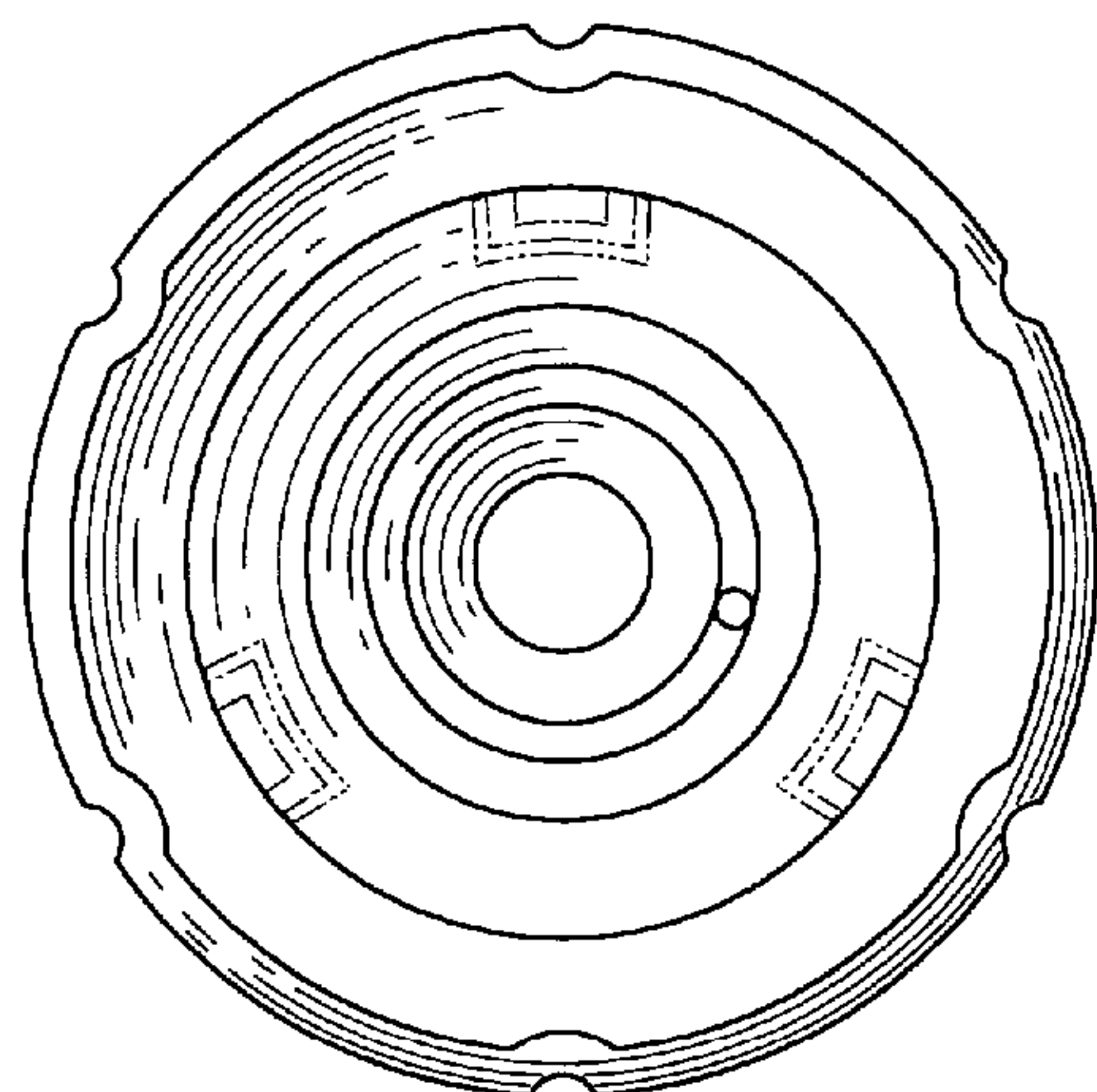


Fig. 6