



US00D421217S

United States Patent [19]

Discko, Jr.

[11] Patent Number: Des. 421,217

[45] Date of Patent: ** Feb. 29, 2000

[54] PACKAGE HAVING A MATERIAL WELL AND APPLICATOR

[75] Inventor: John J. Discko, Jr., Hamden, Conn.

[73] Assignee: Centrix, Inc., Shelton, Conn.

[**] Term: 14 Years

[21] Appl. No.: 29/058,218

[22] Filed: Aug. 9, 1996

Related U.S. Application Data

[63] Continuation-in-part of application No. 08/275,003, Jul. 13, 1994, Pat. No. 5,660,273.

[51] LOC (6) Cl. 09-07

[52] U.S. Cl. D9/415

[58] Field of Search D9/415, 418, 414, D9/432, 337; 206/461-471, 495, 806, 229, 209, 209.1, 230, 361, 362.3, 570

References Cited

U.S. PATENT DOCUMENTS

- D. 300,905 5/1989 Perkins D9/415
- D. 376,312 12/1996 Cahn et al. D9/415

3,473,646	10/1969	Burke	206/471 X
4,019,632	4/1977	Greenlee	206/463 X
4,062,450	12/1977	Carter	206/806 X
4,811,844	3/1989	Moulding, Jr. et al.	206/461 X
4,863,020	9/1989	Klemow	206/806 X
4,899,877	2/1990	Kiernan	206/471 X
5,335,772	8/1994	Chervenak et al.	206/461 X
5,660,273	8/1997	Discko, Jr.	206/229

Primary Examiner—Prabhakar G. Deshmukh
Attorney, Agent, or Firm—Paul A. Fattibene; Arthur T. Fattibene; Fattibene and Fattibene

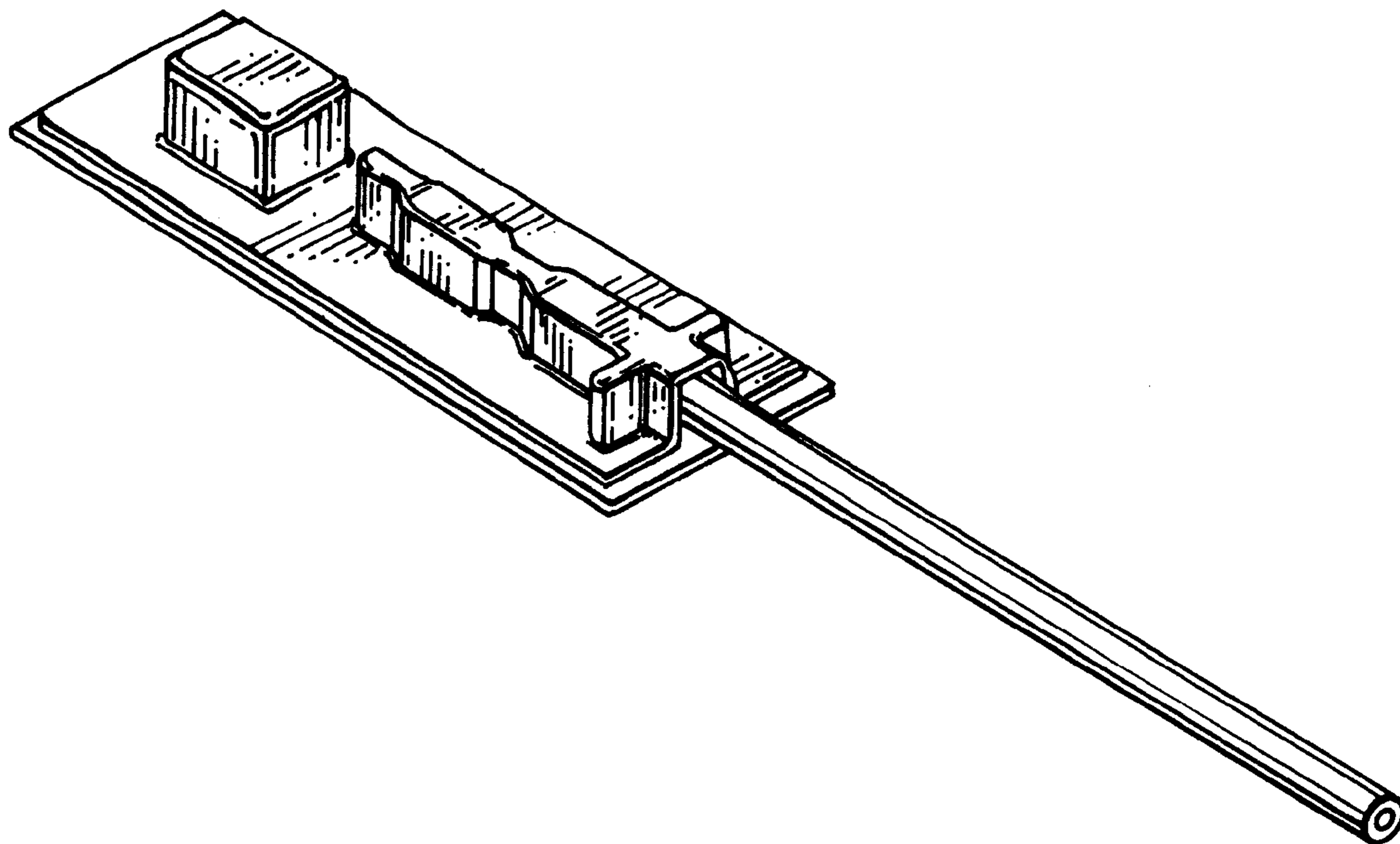
[57] CLAIM

The ornamental design for a package having a material well and applicator, as shown and described.

DESCRIPTION

FIG. 1 is a perspective view of a package having a material well and applicator showing my new design;
FIG. 2 is a top plan view thereof;
FIG. 3 is a side elevational view thereof, the other side being a mirror image;
FIG. 4 is a bottom plan view thereof;
FIG. 5 is a rear elevational view thereof; and,
FIG. 6 is a front elevational view thereof.

1 Claim, 1 Drawing Sheet



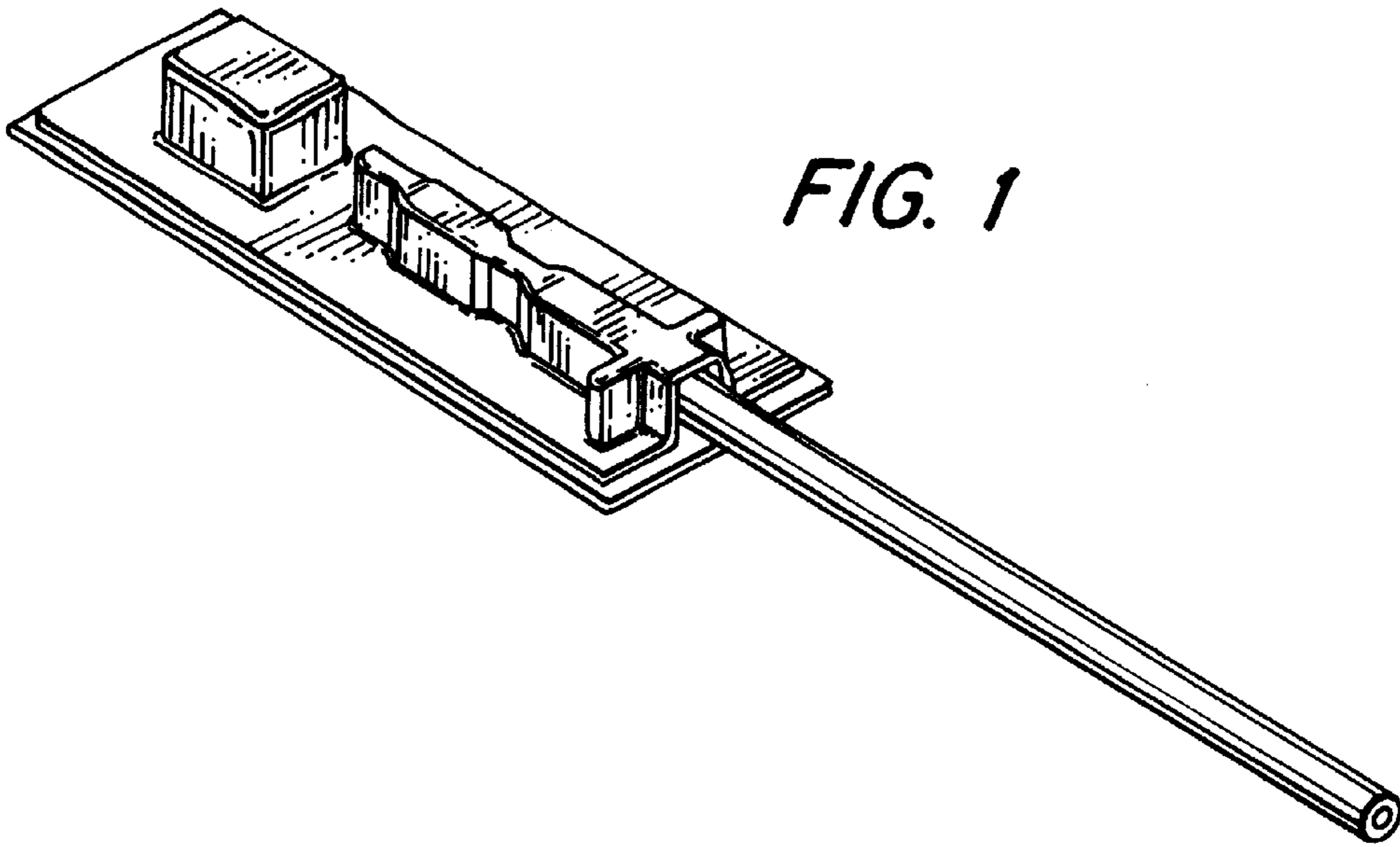


FIG. 1

FIG. 2

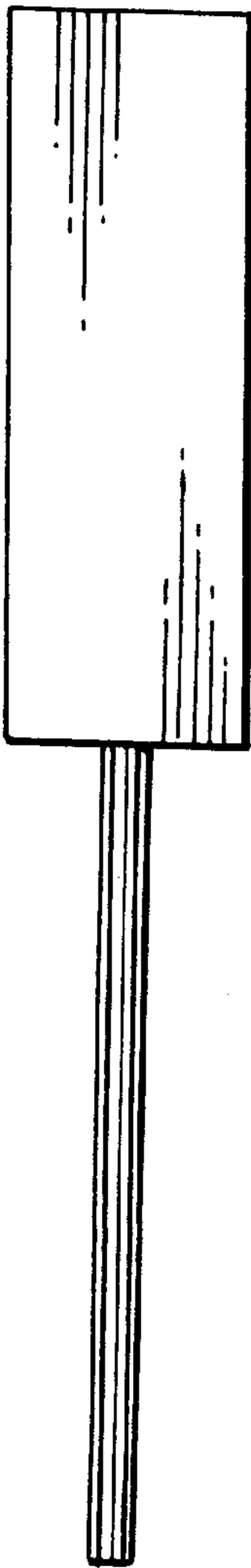


FIG. 3



FIG. 4

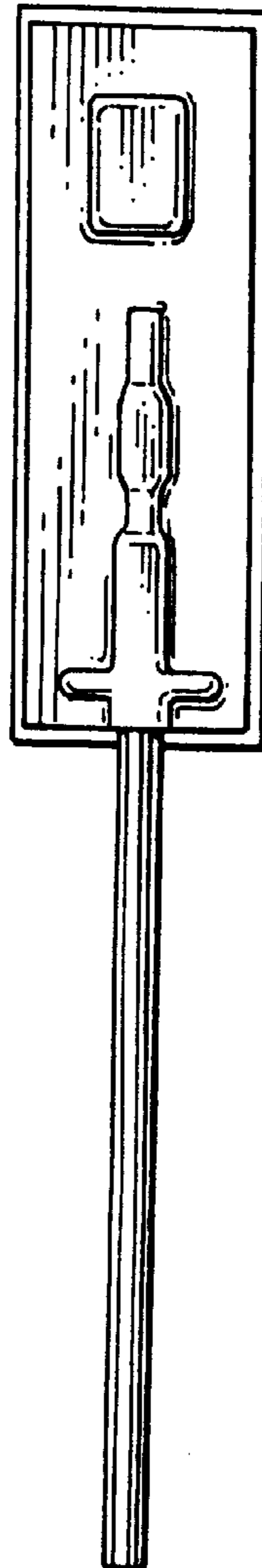


FIG. 5



FIG. 6