



US00D421214S

United States Patent [19]

Koros et al.

[11] **Patent Number: Des. 421,214**

[45] **Date of Patent: ** Feb. 29, 2000**

[54] **DETACHABLE CLAMP FOR A ROTATABLE RETRACTOR BLADE**

[76] Inventors: **Tibor B. Koros; Gabriel J. Koros,**
both of 610 Flinn Ave., Moorpark,
Calif. 93021

[**] Term: **14 Years**

[21] Appl. No.: **29/092,717**

[22] Filed: **Aug. 25, 1998**

[51] **LOC (6) Cl. 08-08**

[52] **U.S. Cl. D8/394**

[58] **Field of Search D8/395, 394; 24/67 R,**
24/543, 327, 487; D6/328; D28/47

[56] **References Cited**

U.S. PATENT DOCUMENTS

D. 315,992	4/1991	Tremblay et al.	D6/328
D. 386,215	11/1997	White et al.	D8/395 X
5,285,556	2/1994	Shorin et al.	24/487
5,361,463	11/1994	Revis	24/543

Primary Examiner—Holly Baynham
Attorney, Agent, or Firm—David O'Reilly

[57] **CLAIM**

The ornamental design for a rotatable retractor blade with detachable clamp, as shown and described.

DESCRIPTION

FIG. 1 is an isometric view of a detachable clamp for a rotatable retractor blade according to the invention.

FIG. 2 is a rear view thereof.

FIG. 3 is a right side view thereof.

FIG. 4 is a front view thereof.

FIG. 5 is a left side view thereof.

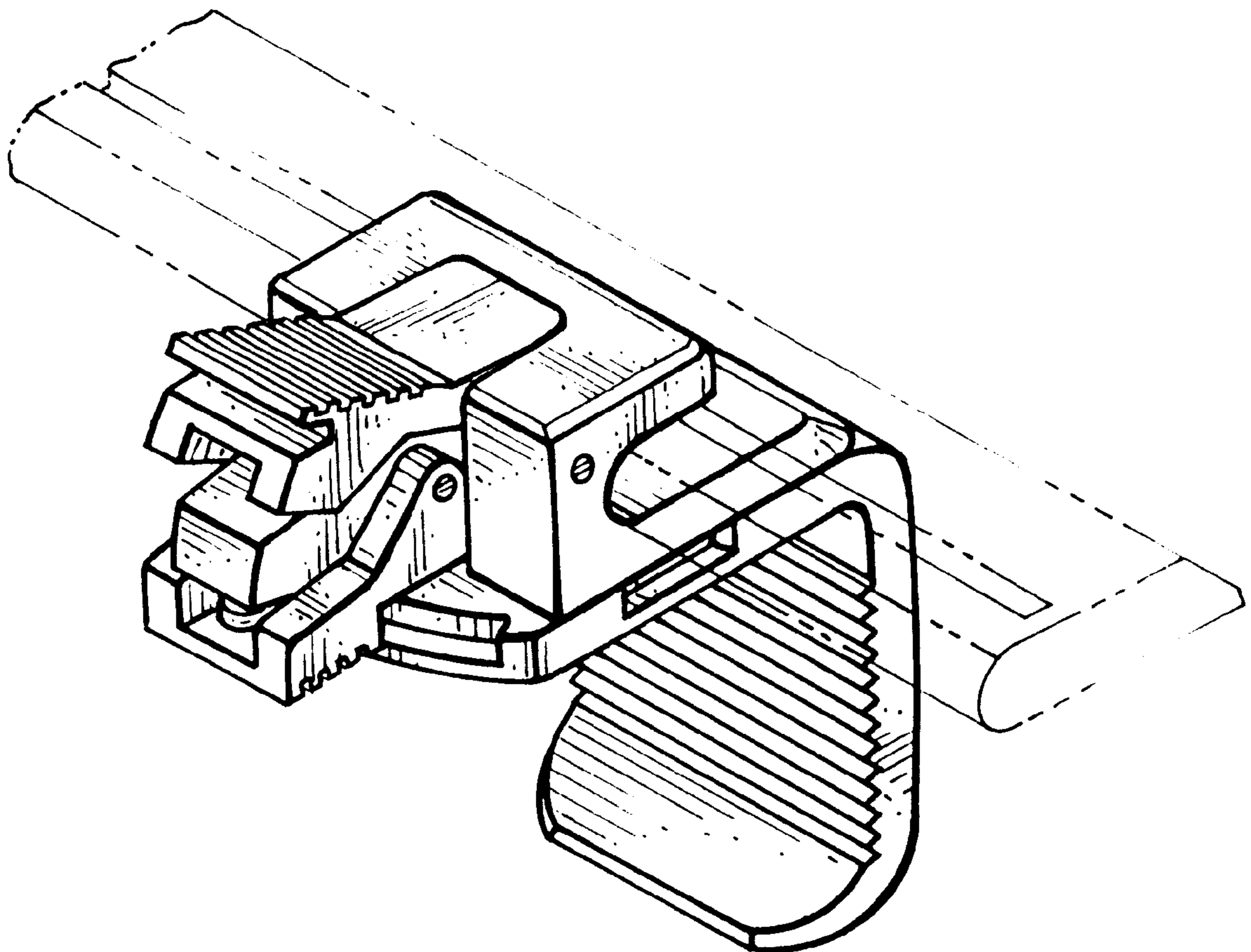
FIG. 6 is a top view thereof.

FIG. 7 is a bottom view thereof; and,

FIG. 8 is a perspective view of the claimed design in an alternate position.

The broken lines illustrating a blade are for illustrative purposes and forms no part of the claimed design.

1 Claim, 2 Drawing Sheets



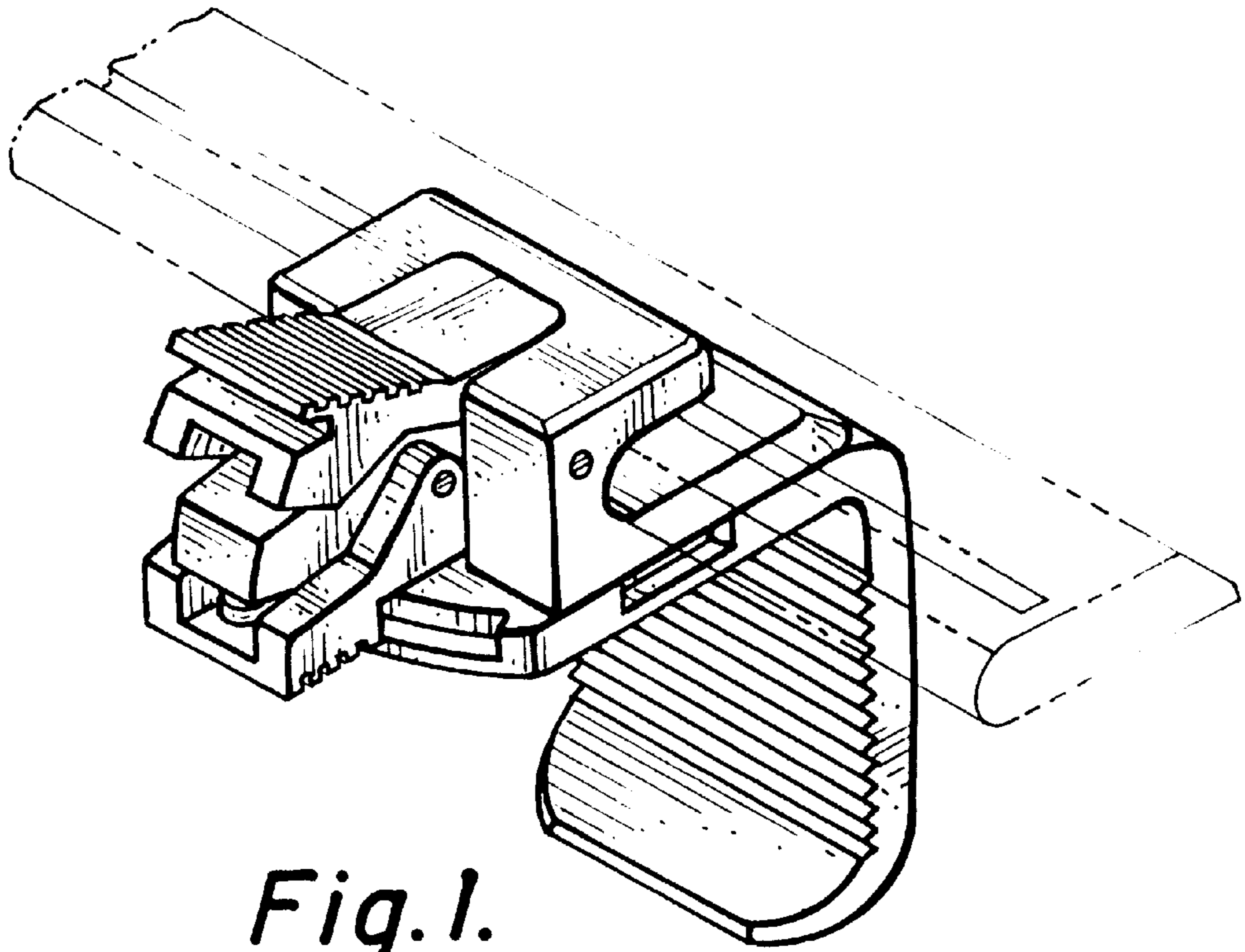


Fig. 1.

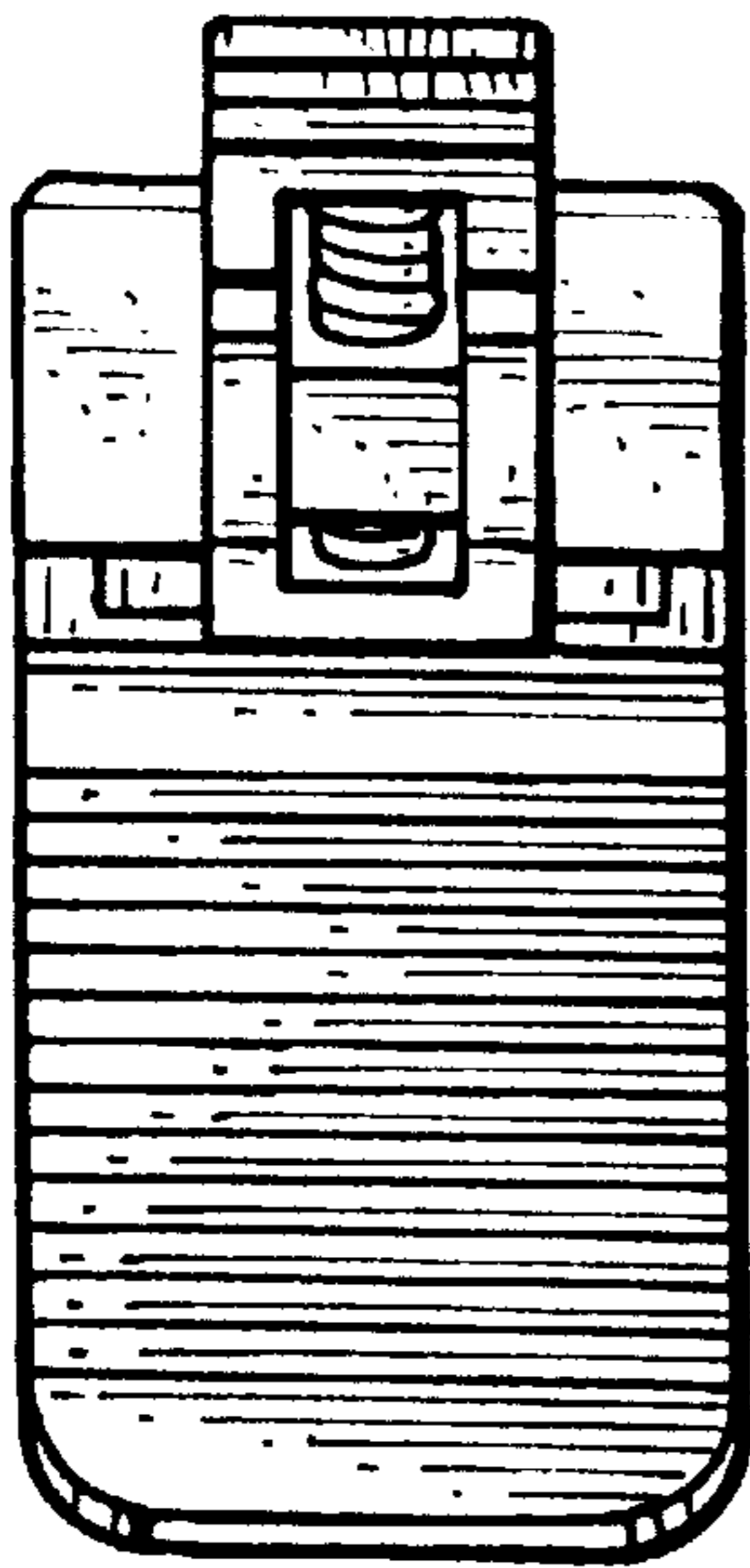


Fig. 2.

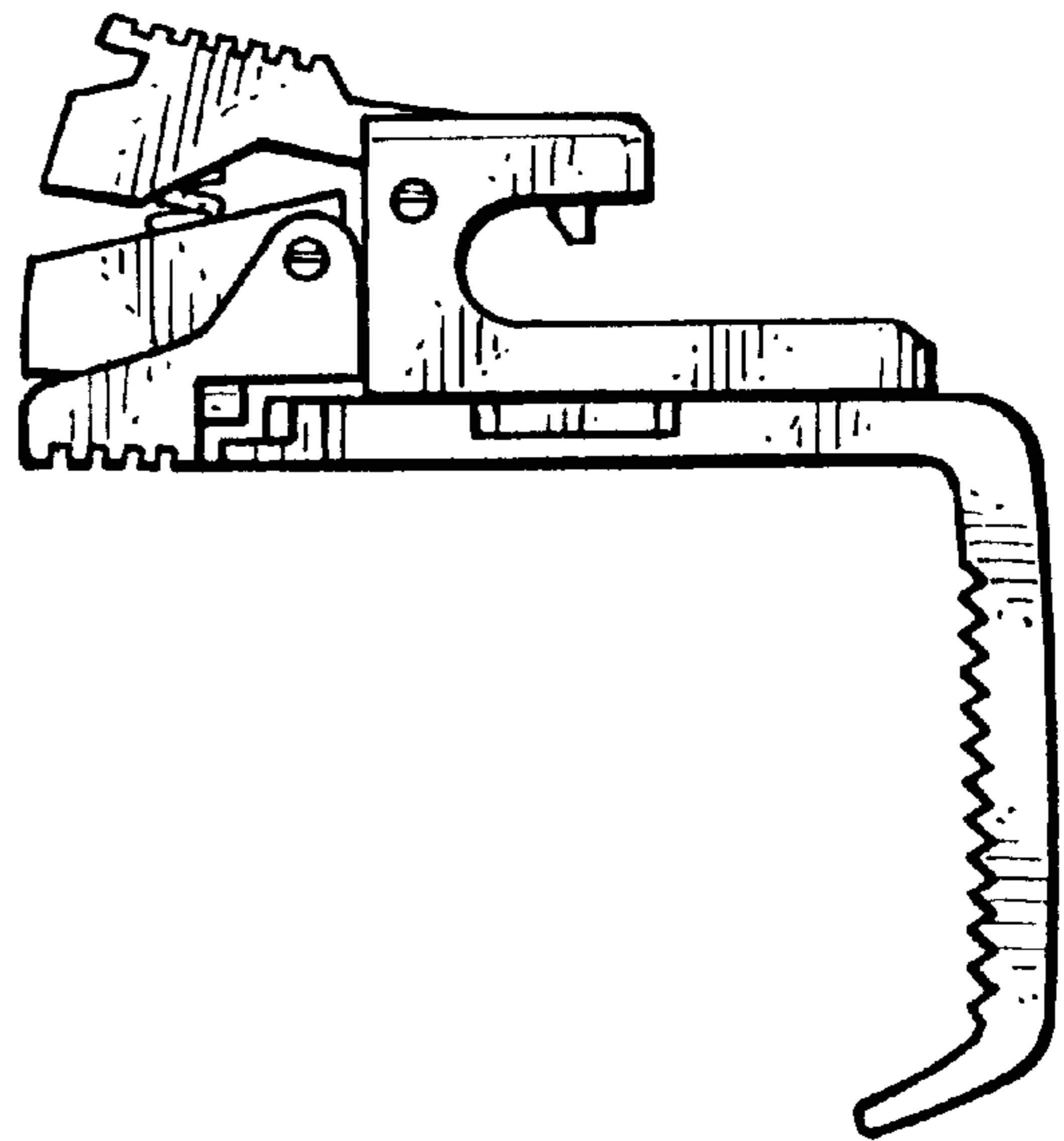


Fig. 3.

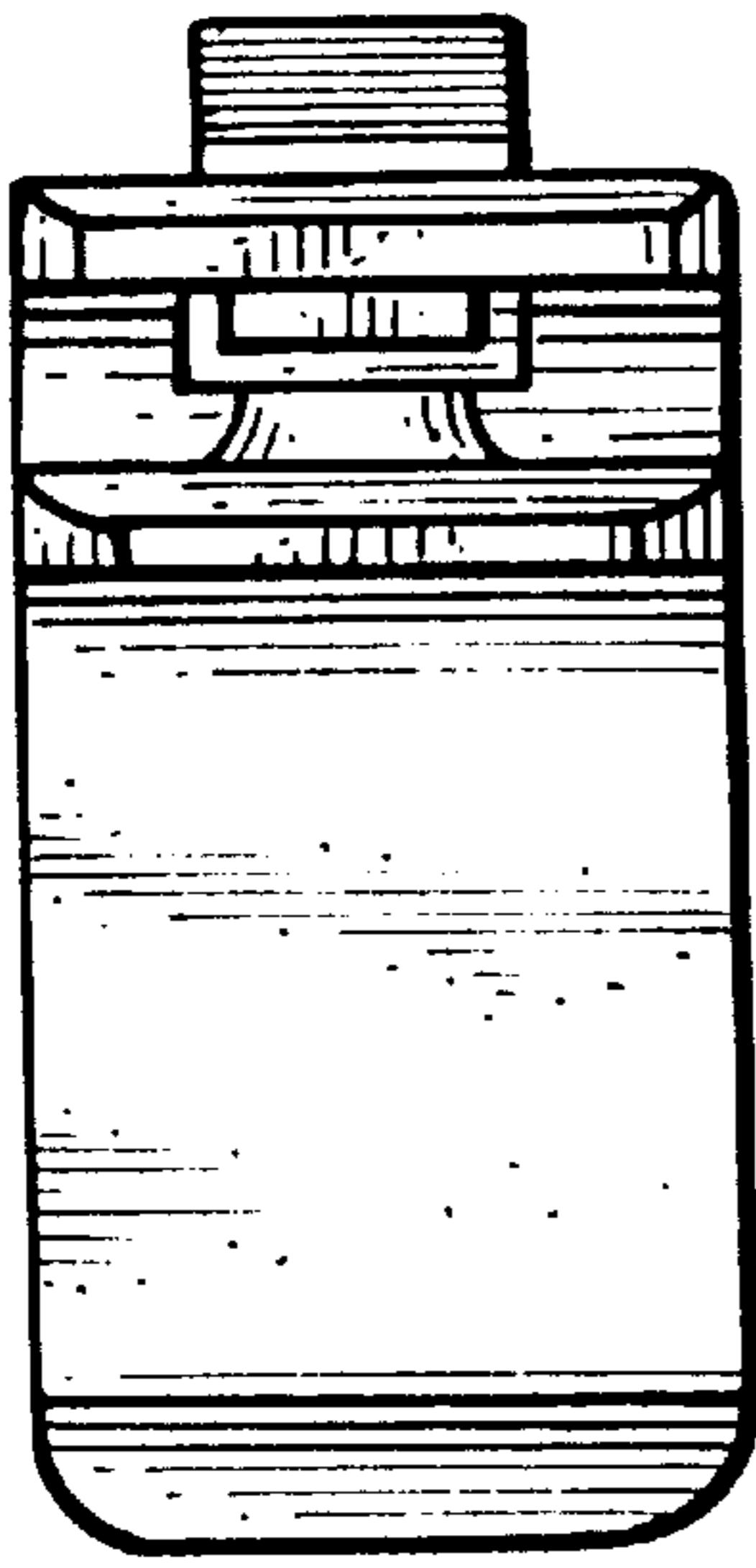


Fig. 4.

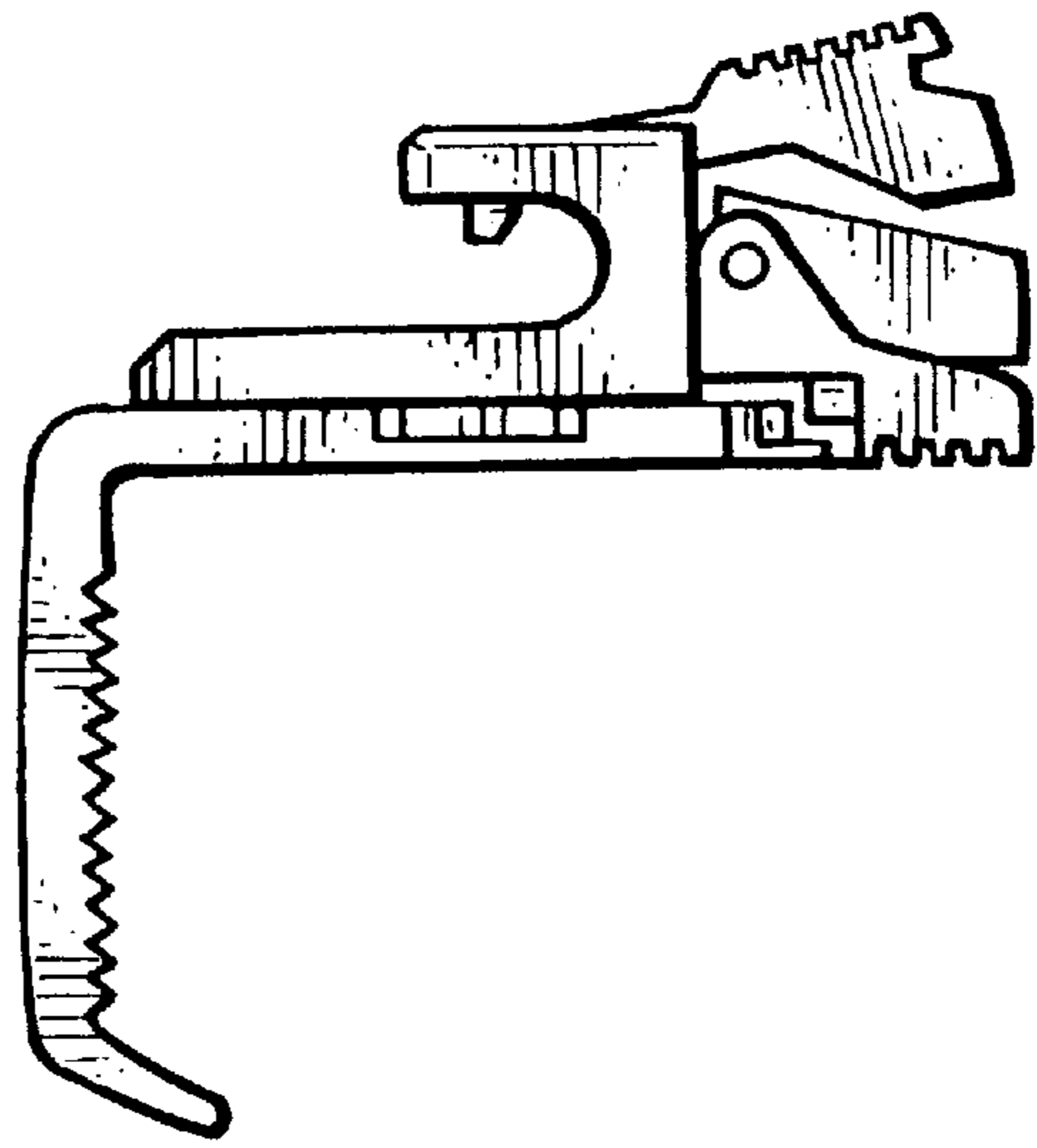


Fig. 5.

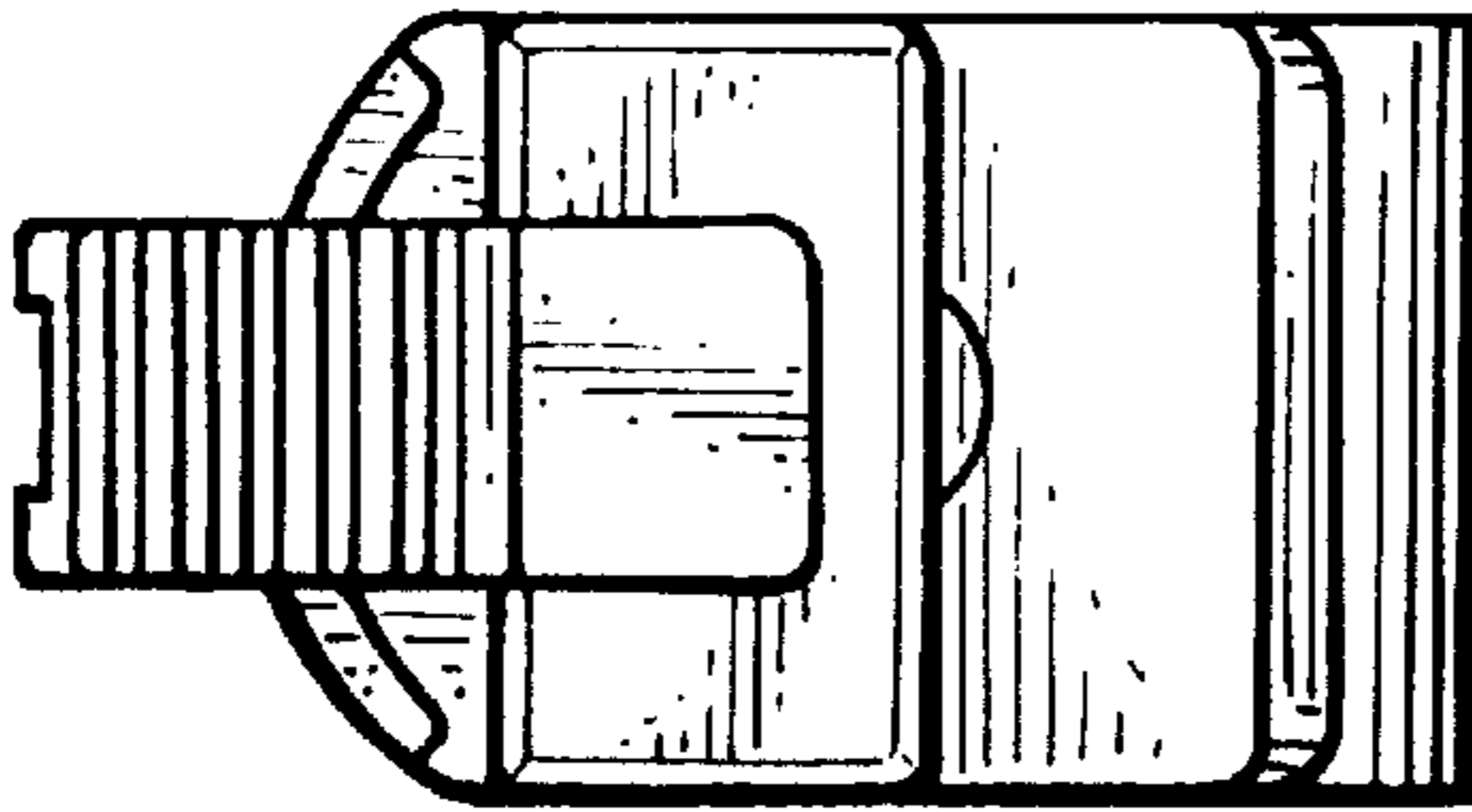


Fig. 6.

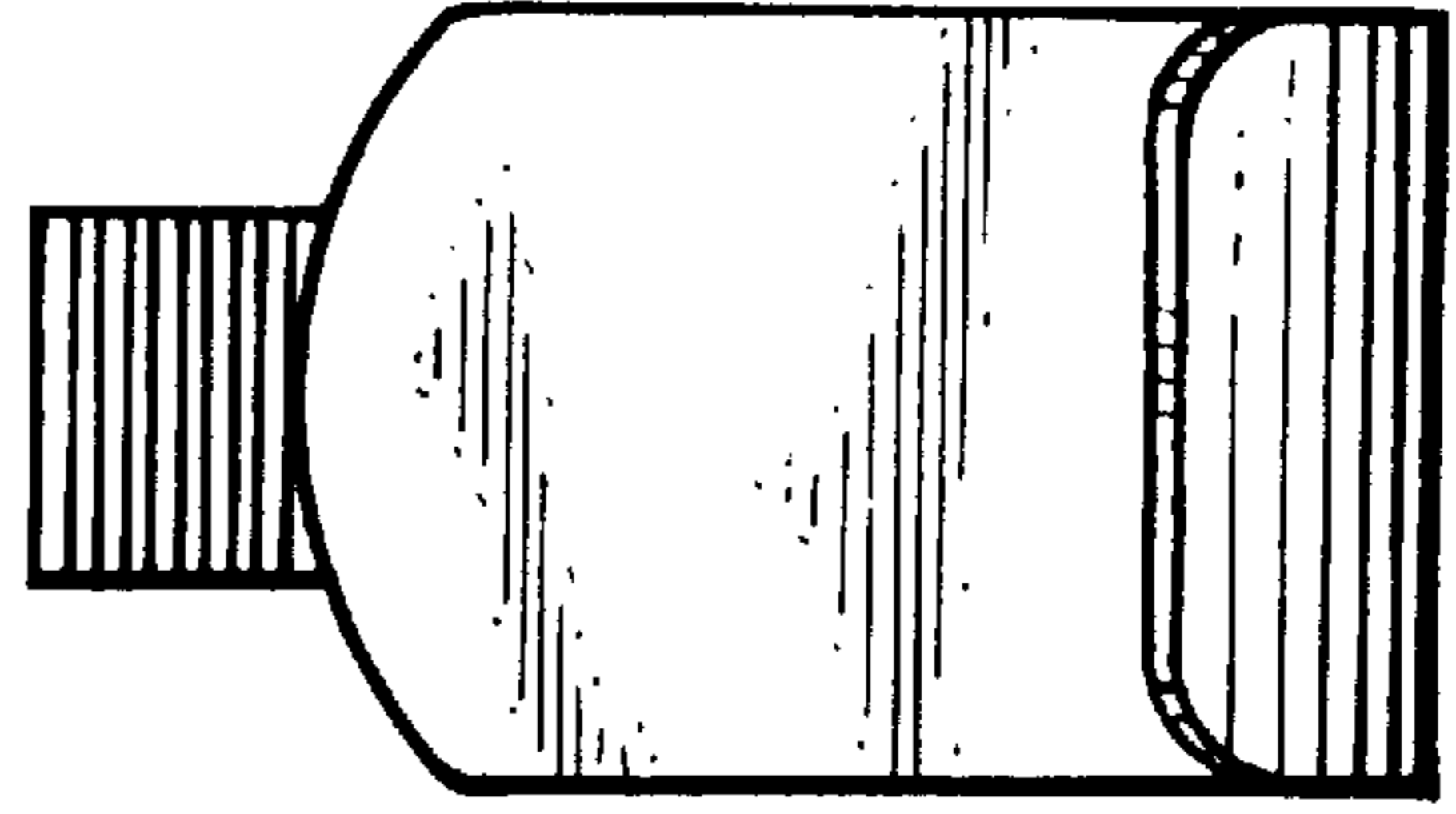


Fig. 7.

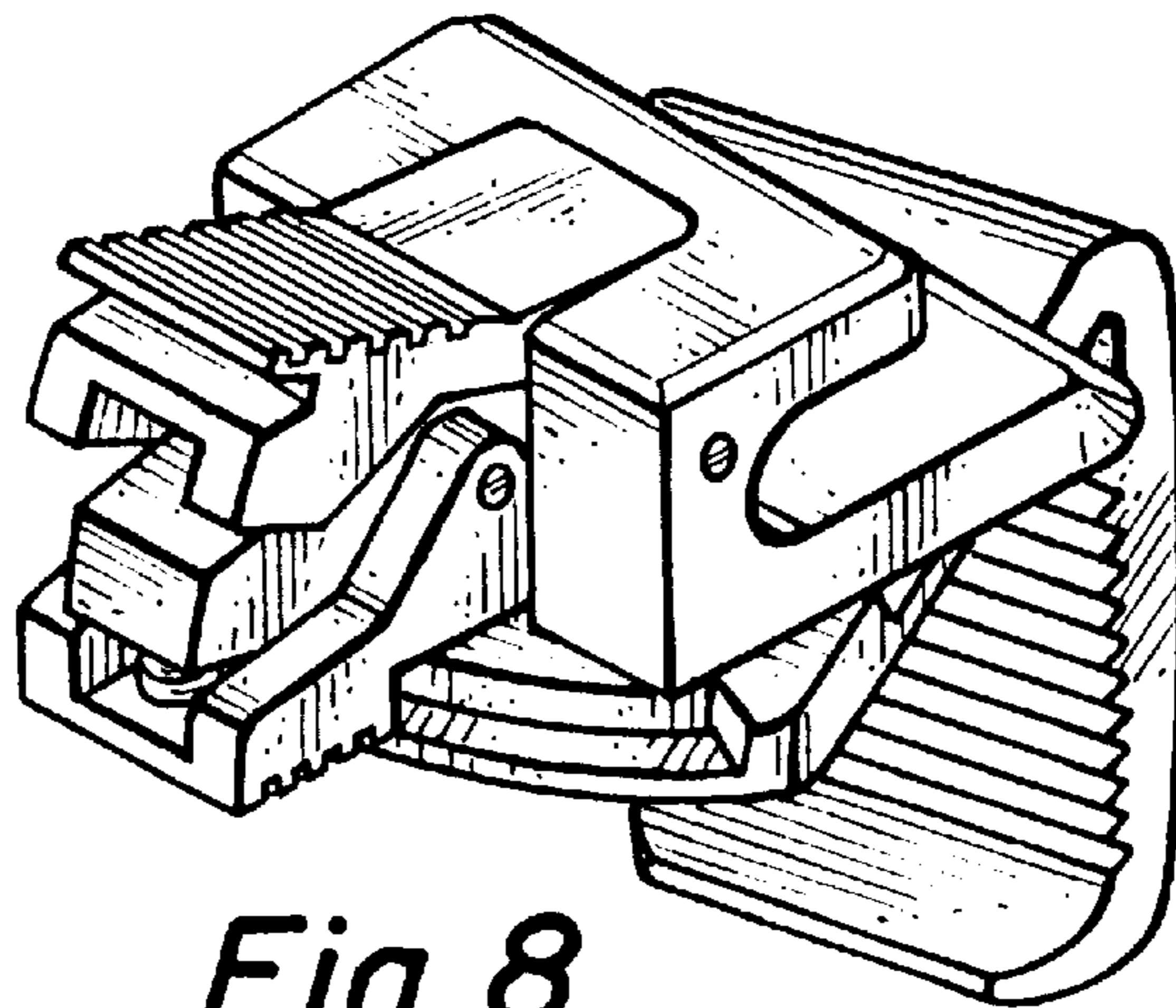


Fig. 8.