



US00D421210S

United States Patent [19] Wu

[11] **Patent Number: Des. 421,210**

[45] **Date of Patent: ** Feb. 29, 2000**

[54] **ELECTRICAL SOCKET COVER**

[75] Inventor: **Peter Wu**, Taipei, Taiwan

[73] Assignee: **Hsing Chau Industrial Co., Ltd.**,
Taipei, Taiwan

[**] Term: **14 Years**

[21] Appl. No.: **29/102,492**

[22] Filed: **Mar. 25, 1999**

[51] **LOC (6) Cl. 11-05**

[52] **U.S. Cl. D8/353**

[58] **Field of Search** D8/350, 353; D13/177,
D13/146, 147; 439/539, 491, 536, 538,
540.1, 544, 594, 595, 597; 220/241; 174/66;
40/611, 642.02

[56] **References Cited**

U.S. PATENT DOCUMENTS

- D. 346,789 5/1994 Sanchez D13/147
- D. 371,540 7/1996 Siemon et al. D13/146

- 5,362,254 11/1994 Siemon et al. 439/536
- 5,613,874 3/1997 Orlando 439/491
- 5,735,708 4/1998 Arnette et al. 174/66
- 5,741,158 4/1998 Reed et al. 439/536
- 5,770,817 6/1998 Lo 174/66

Primary Examiner—B. J. Bullock
Attorney, Agent, or Firm—Varndell & Varndell, PLLC

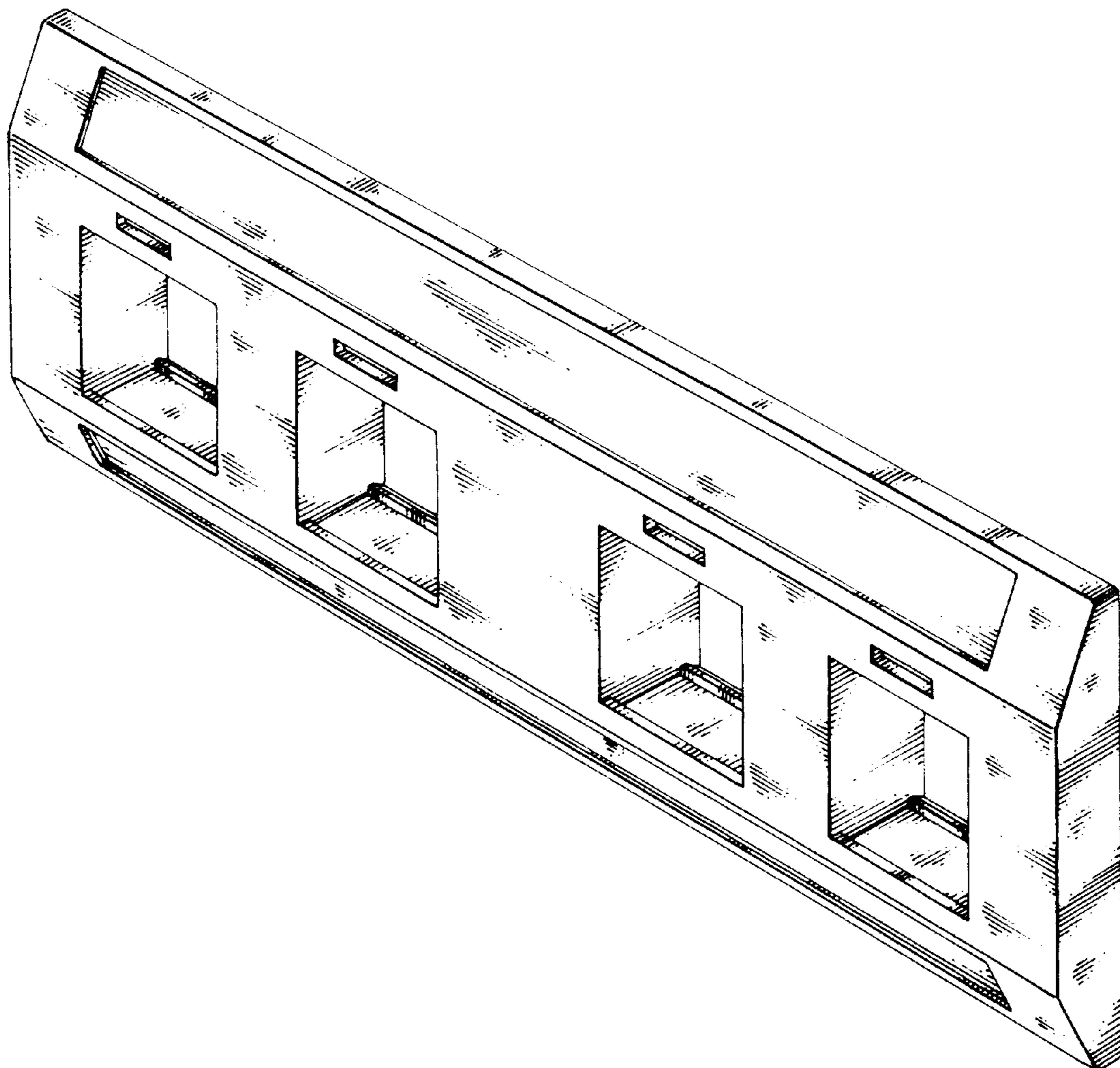
[57] **CLAIM**

The ornamental design for an electrical socket cover, as shown and described.

DESCRIPTION

FIG. 1 is a perspective view of an electrical socket cover showing my new design;
FIG. 2 is a top plan view thereof;
FIG. 3 is a front elevational view thereof;
FIG. 4 is a bottom plan view thereof;
FIG. 5 is a rear plan view thereof;
FIG. 6 is a side elevational view thereof, the opposite side being a mirror image of that shown; and,
FIG. 7 is a rear perspective view thereof.

1 Claim, 5 Drawing Sheets



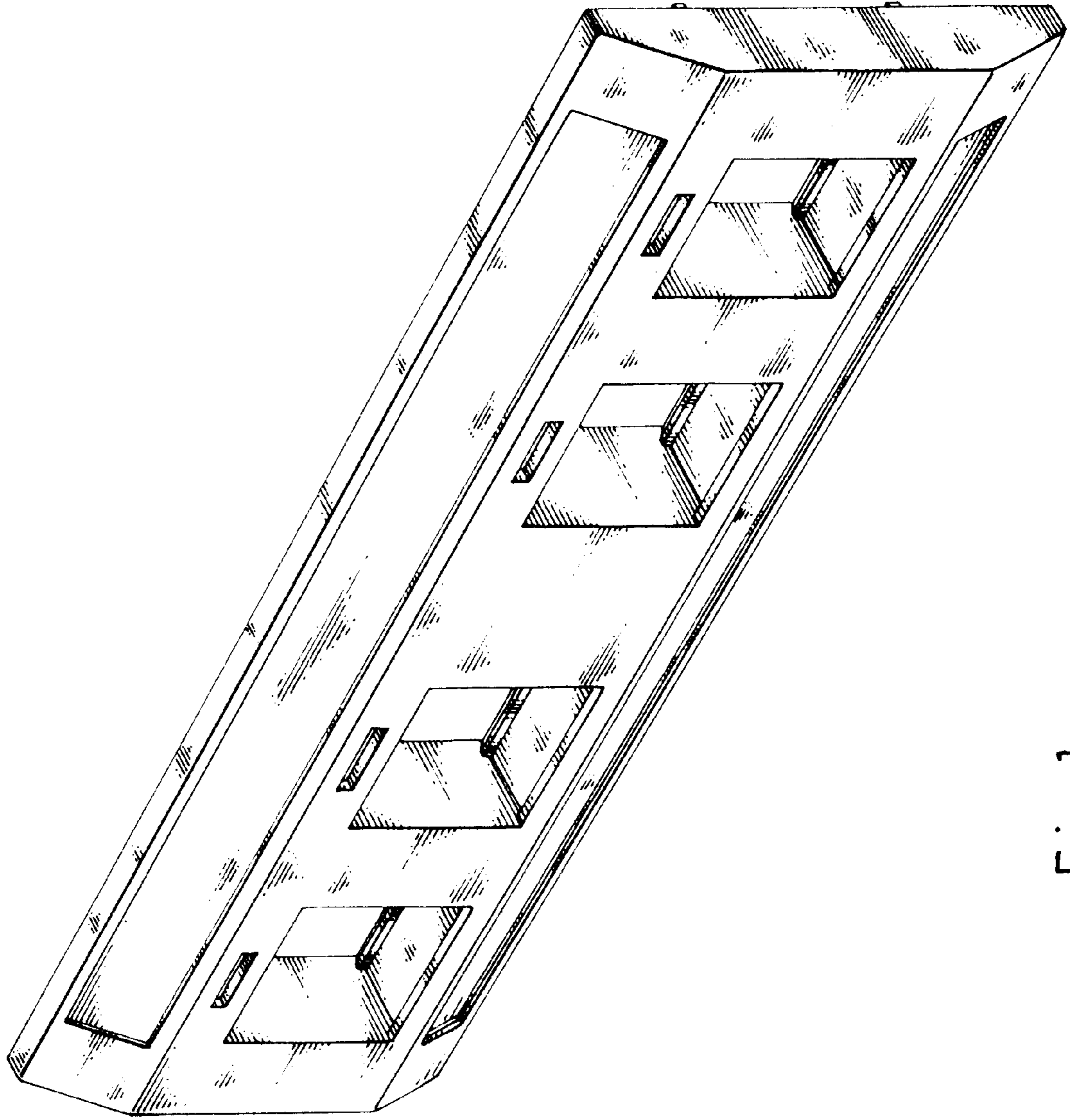


Fig. 1

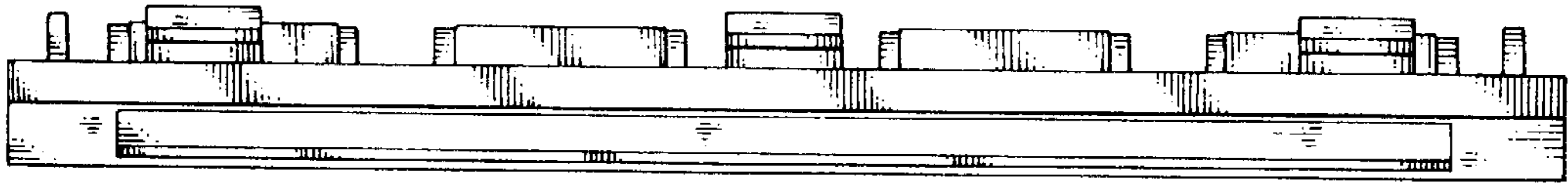


Fig. 2

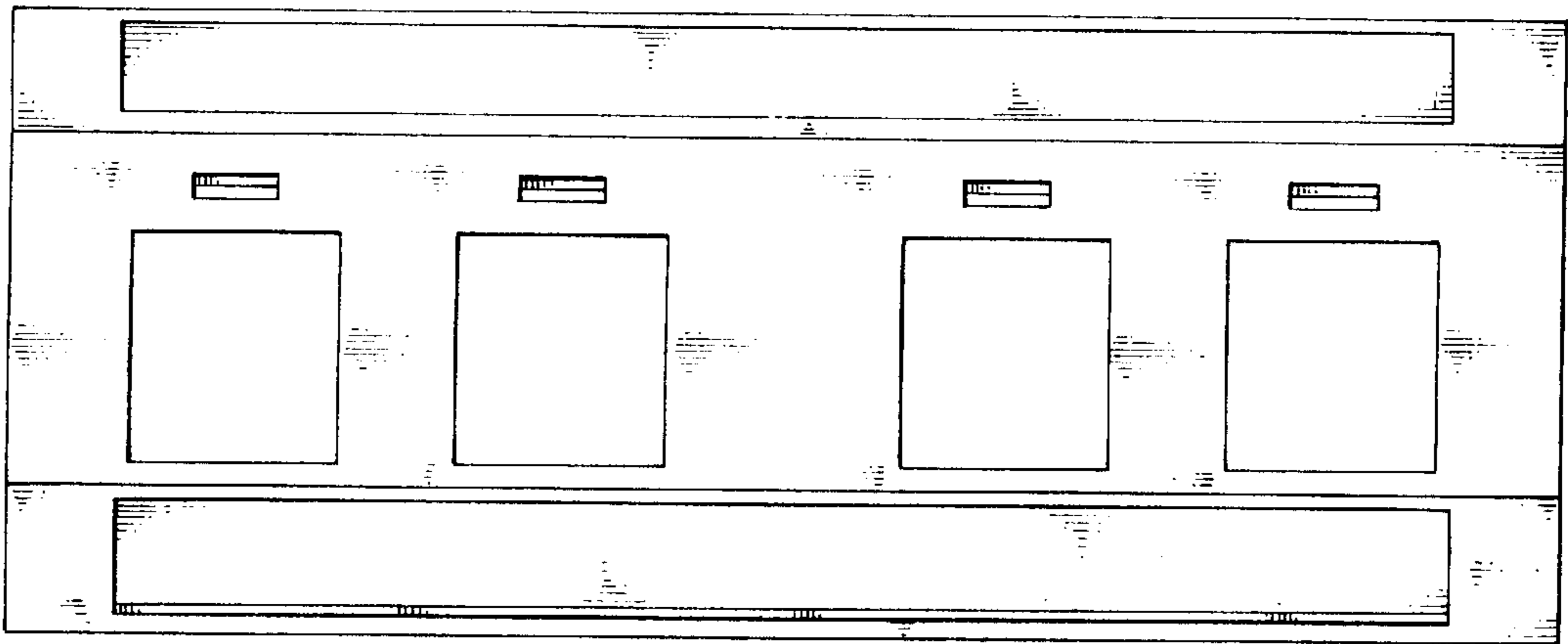


Fig. 3



Fig. 4

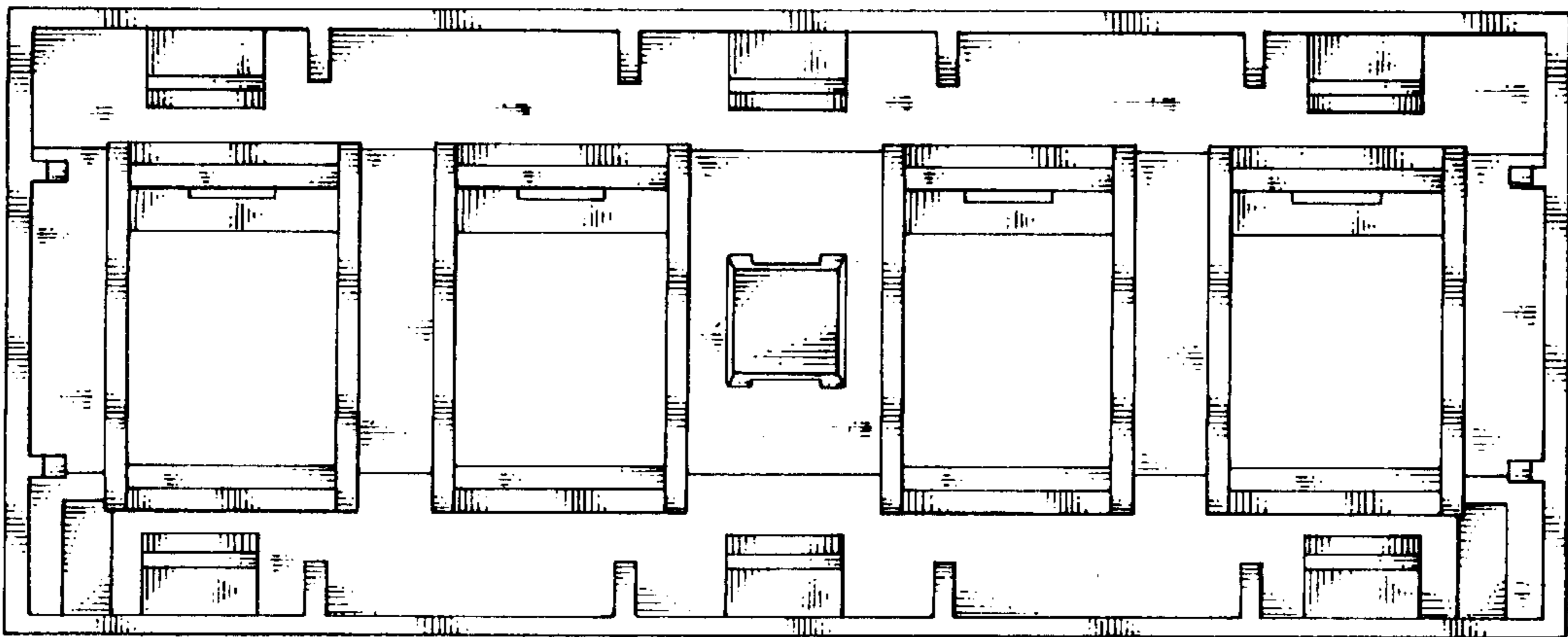


Fig. 5

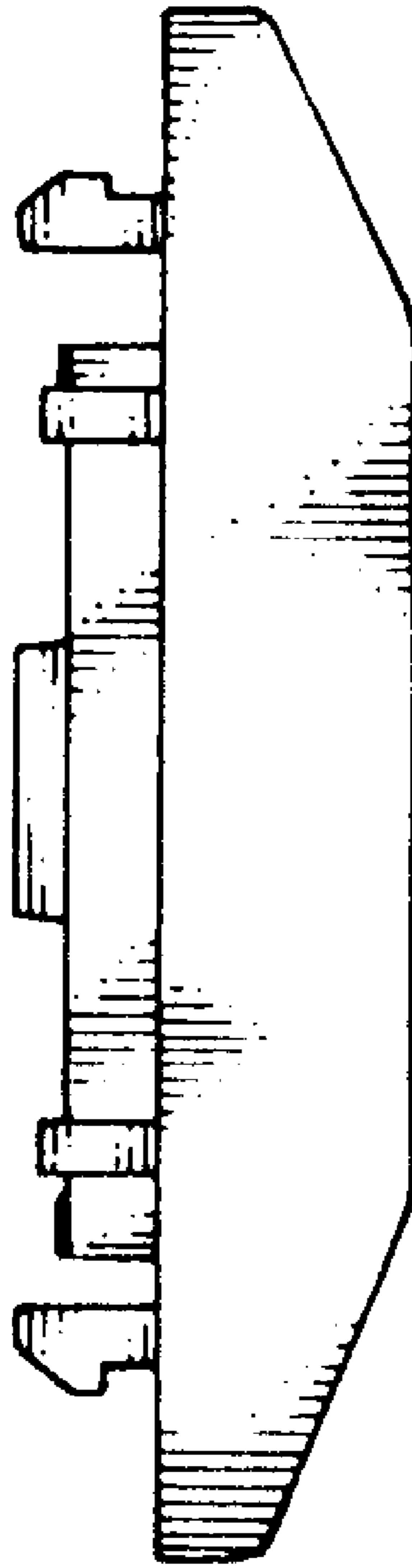


Fig. 6

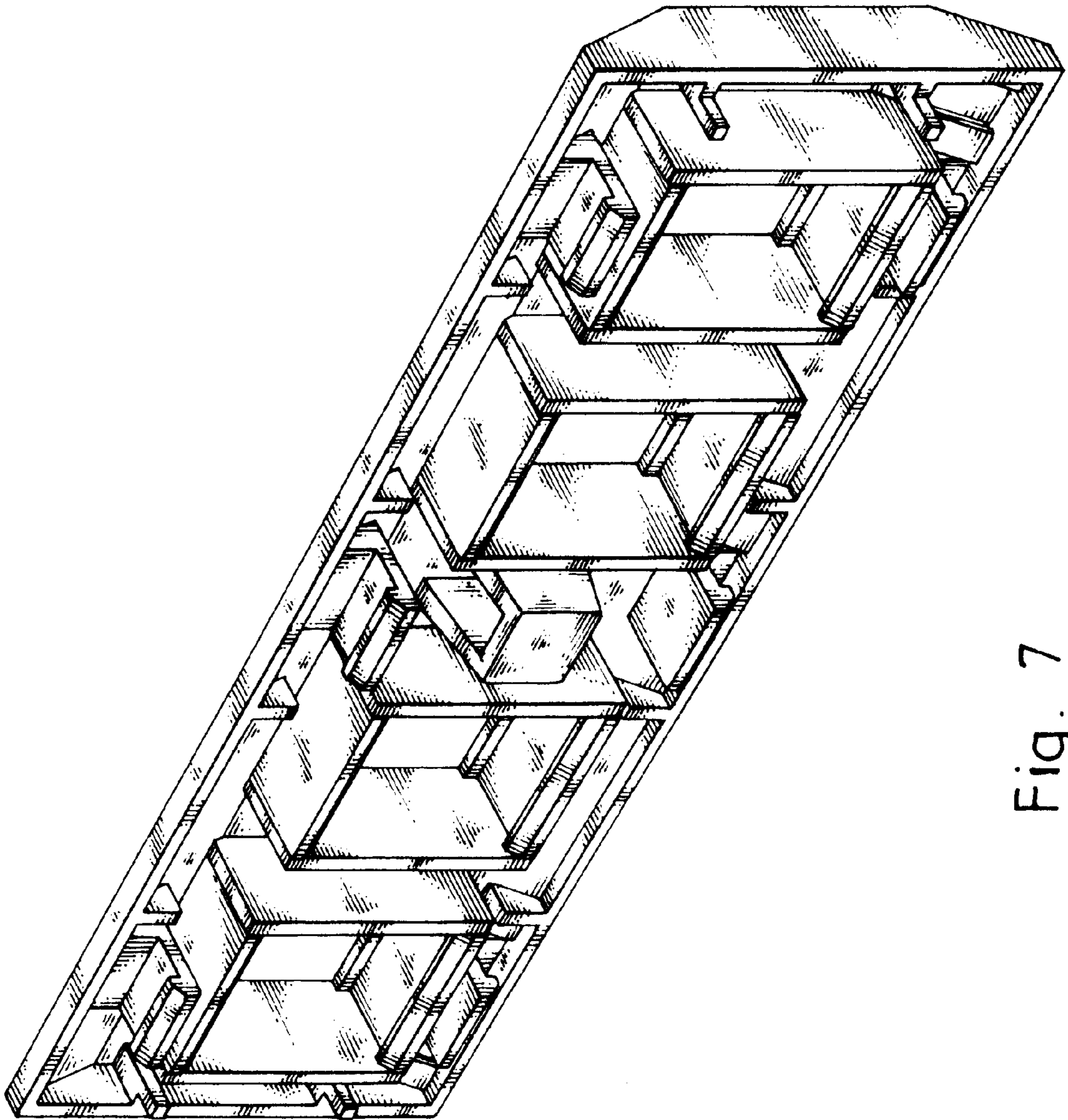


Fig. 7