



US00D421208S

United States Patent [19]

Lavigne et al.

[11] Patent Number: **Des. 421,208**

[45] Date of Patent: **** Feb. 29, 2000**

[54] PIVOTAL JAW ASSEMBLY

[75] Inventors: **Gerard E. Lavigne; Michael R. Corriveau**, both of Coventry; **Gregory A. Armstrong**, West Warwick, all of R.I.

[73] Assignee: **Lavigne Manufacturing, Inc.**, Cranston, R.I.

[**] Term: **14 Years**

[21] Appl. No.: **29/095,919**

[22] Filed: **Nov. 2, 1998**

[51] LOC (6) Cl. **08-05**

[52] U.S. Cl. **D8/74**

[58] Field of Search D8/71, 72, 73, D8/74; 269/246, 247, 240, 243, 261

[56] **References Cited**

U.S. PATENT DOCUMENTS

D. 234,118 1/1975 Molitors D8/74

D. 254,376	3/1980	Glomb et al.	D8/74
D. 287,457	12/1986	Listes	D8/74
3,063,707	11/1962	Kelley .	
3,223,407	12/1965	Wills .	
3,397,880	8/1968	Kuban .	
4,070,010	1/1978	Brasca	269/27
4,383,682	5/1983	Feinberg	269/76
4,863,151	9/1989	Justesen	269/261

Primary Examiner—Philip S. Hyder
Attorney, Agent, or Firm—Salter & Michaelson

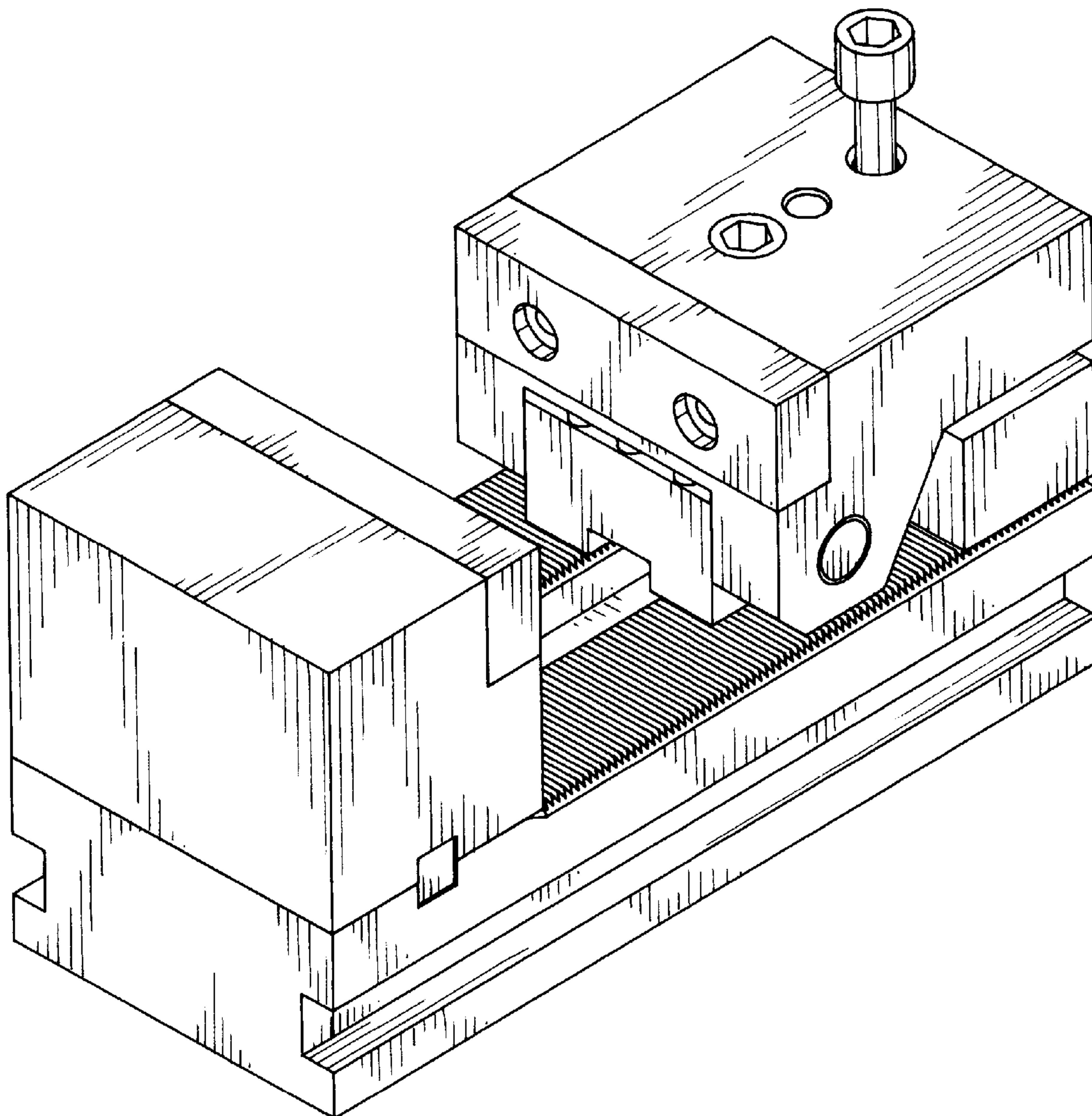
[57] **CLAIM**

The ornamental design for a pivotal jaw assembly, as shown.

DESCRIPTION

FIG. 1 is a perspective view showing our new design; FIG. 2 is a top view thereof; FIG. 3 is a bottom view thereof; FIG. 4 is a front view thereof; FIG. 5 is a rear view thereof; FIG. 6 is a right side view thereof; and, FIG. 7 is a left side view thereof.

1 Claim, 4 Drawing Sheets



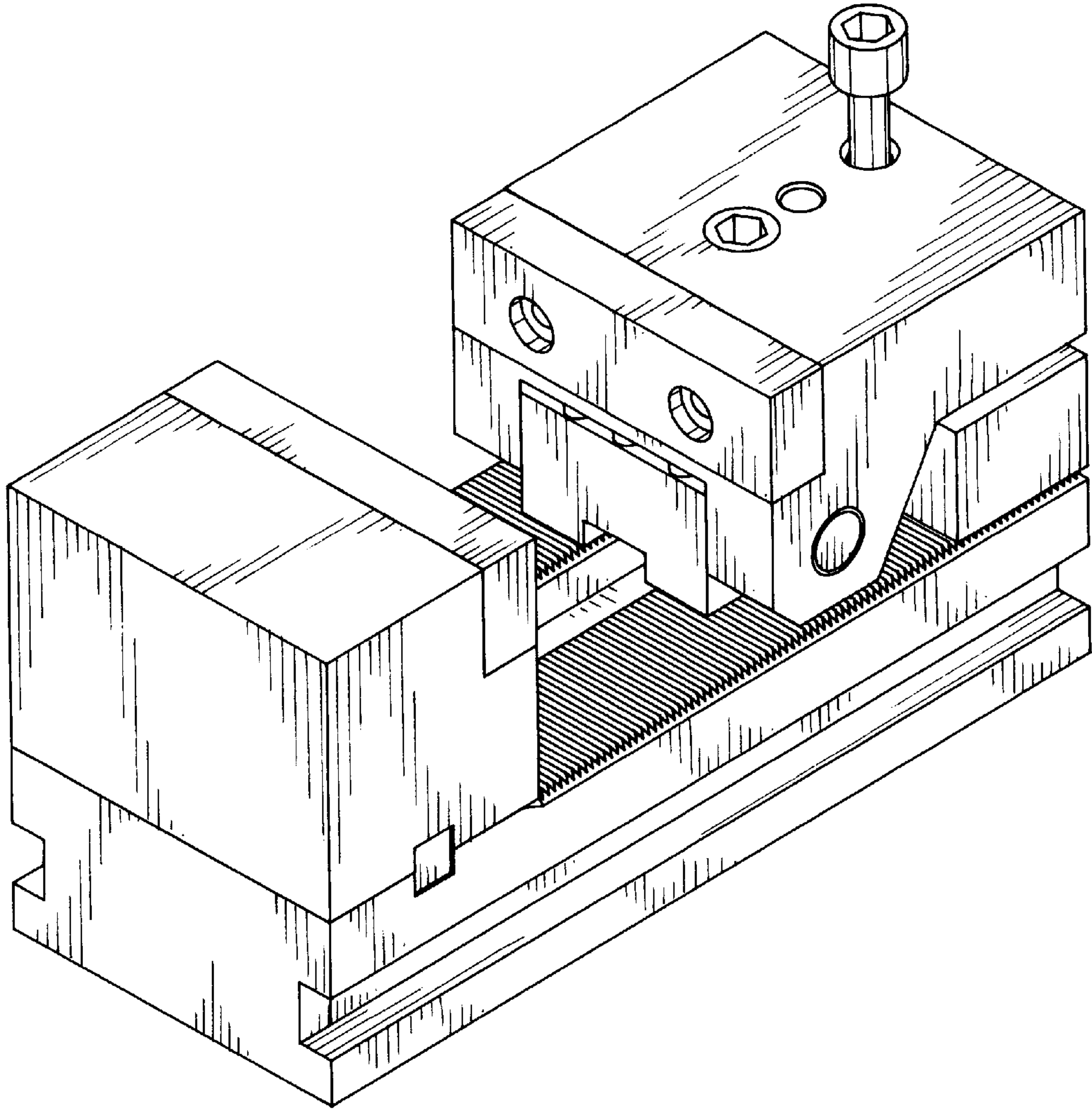


FIG. 1

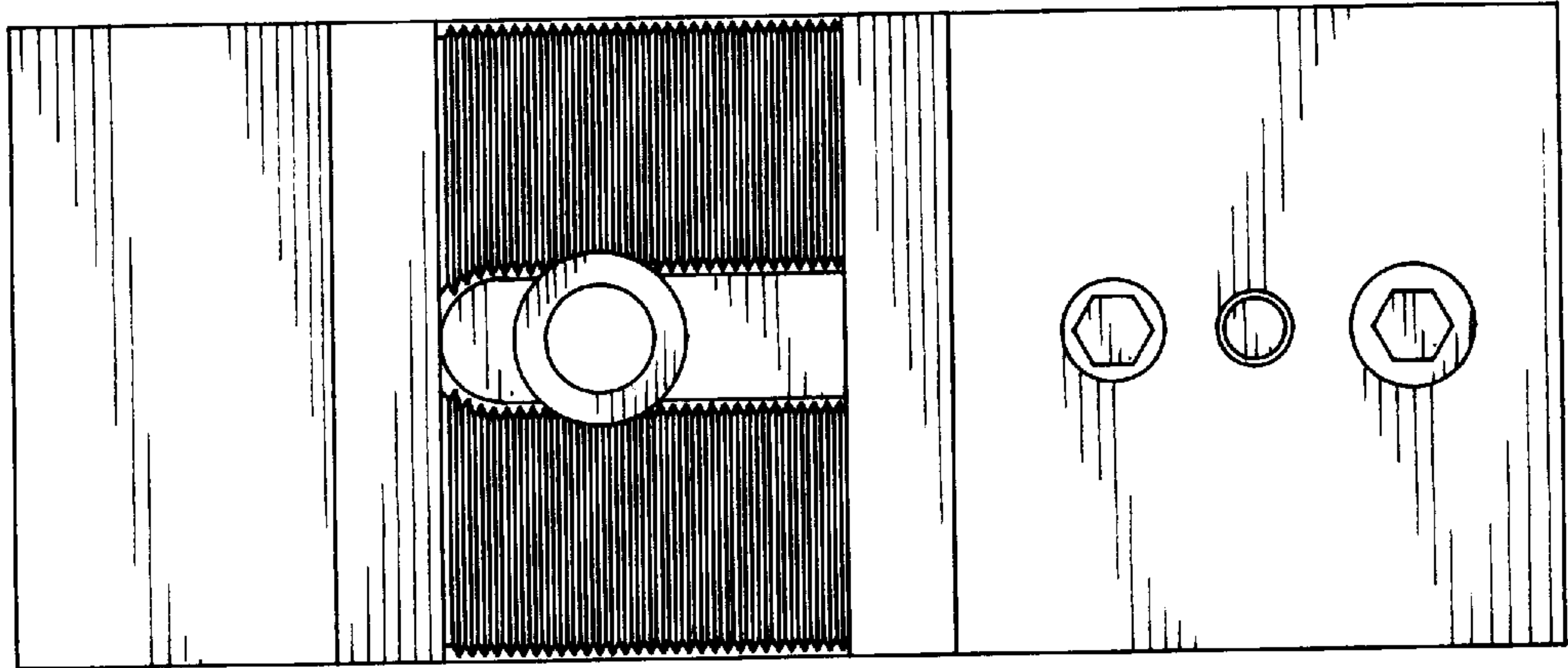


FIG. 2

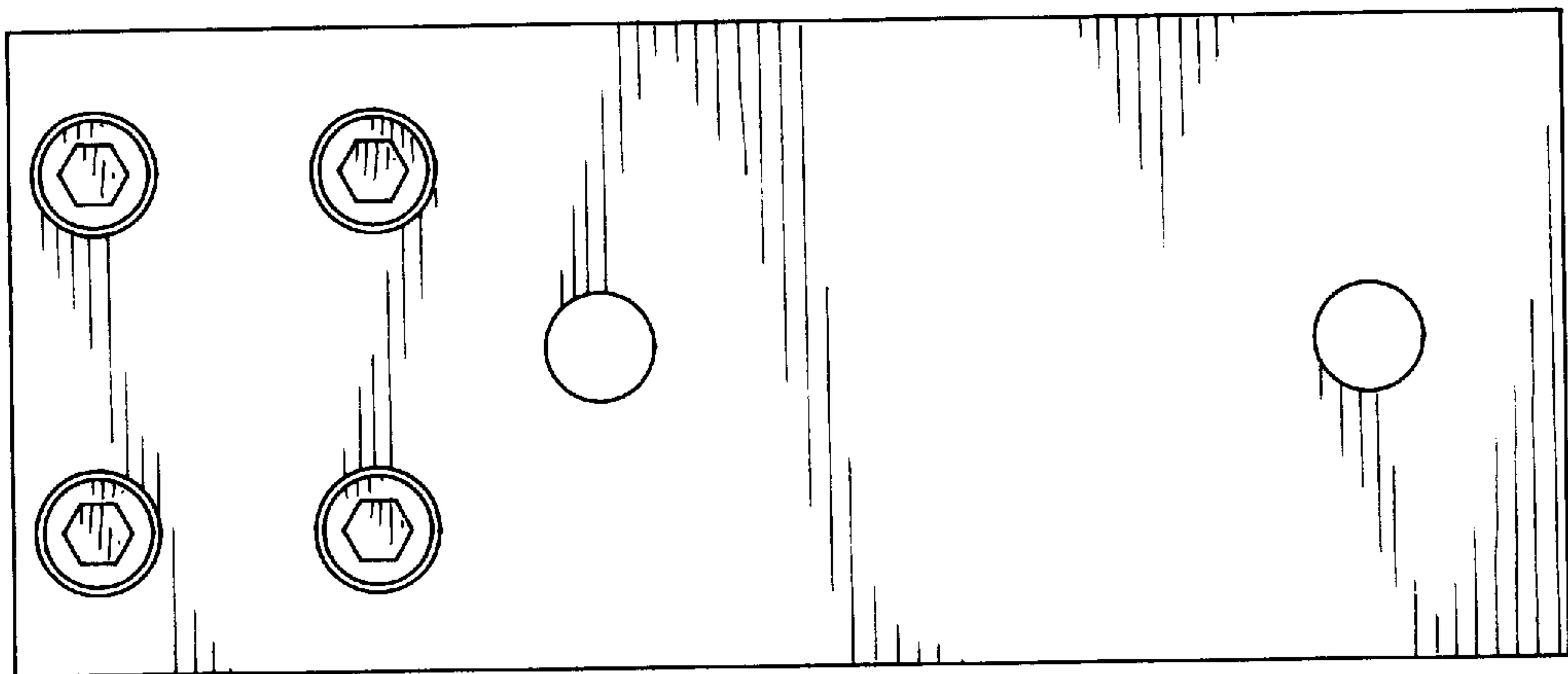


FIG. 3

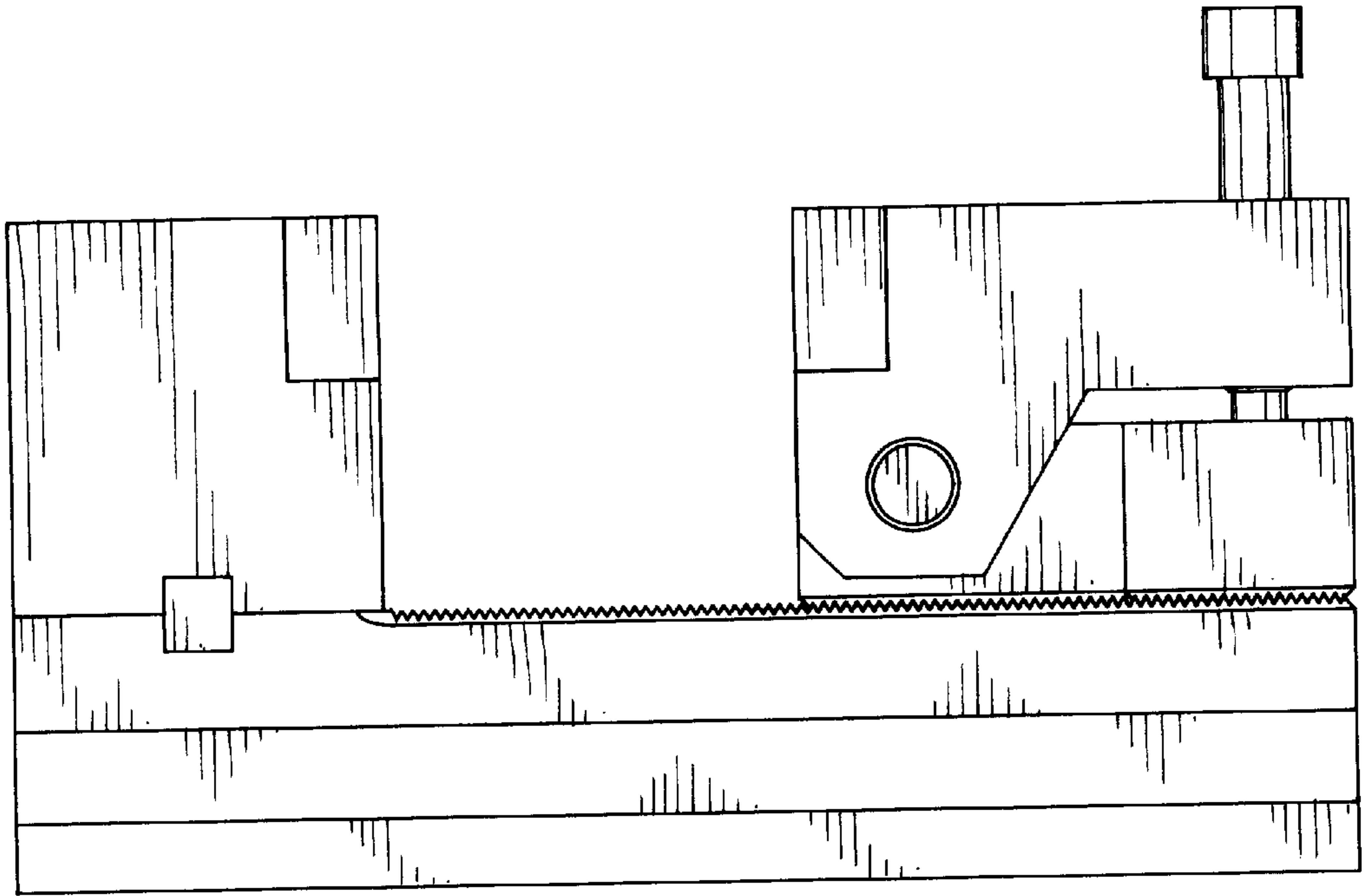


FIG. 4

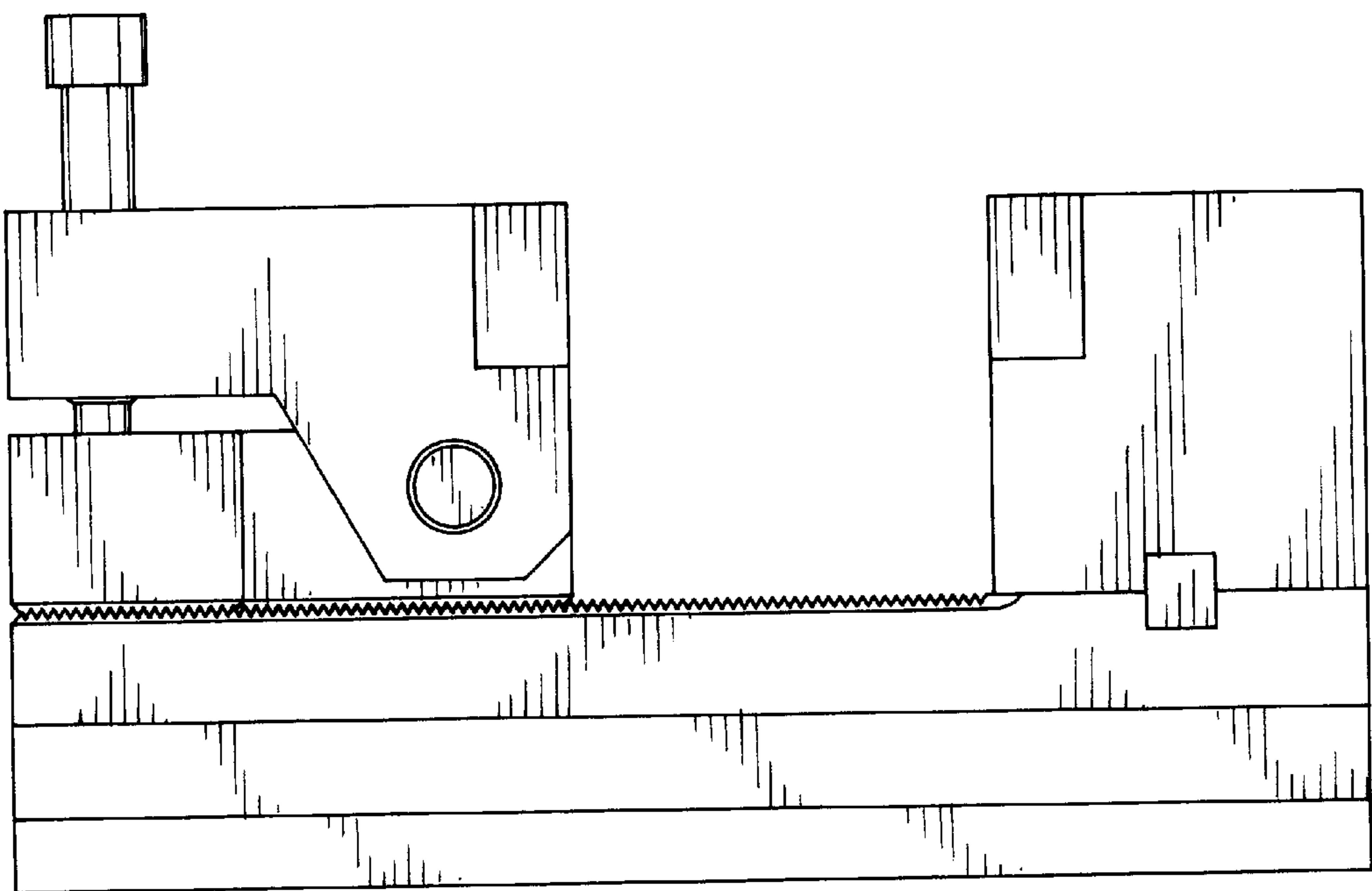


FIG. 5

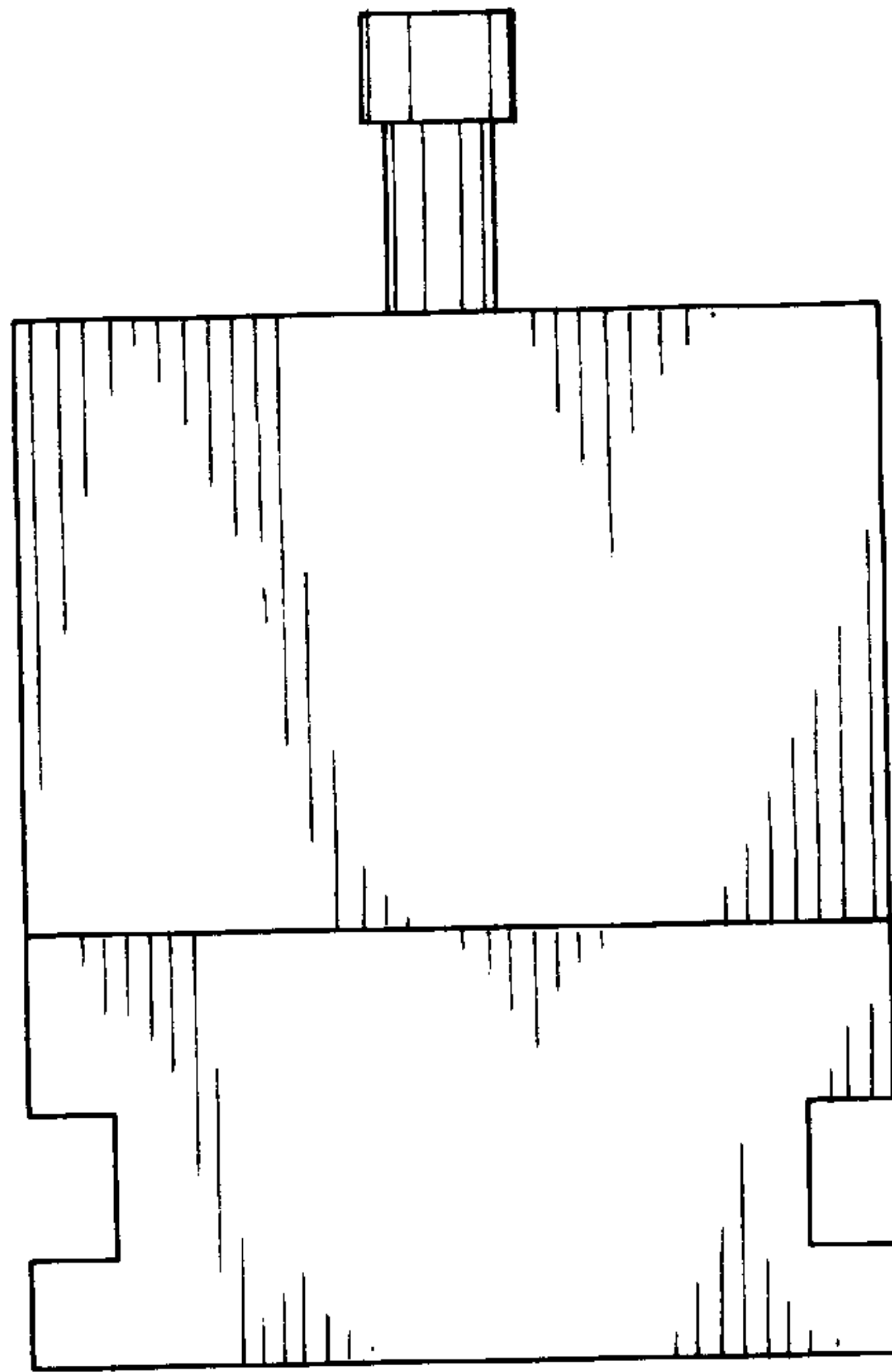


FIG. 6

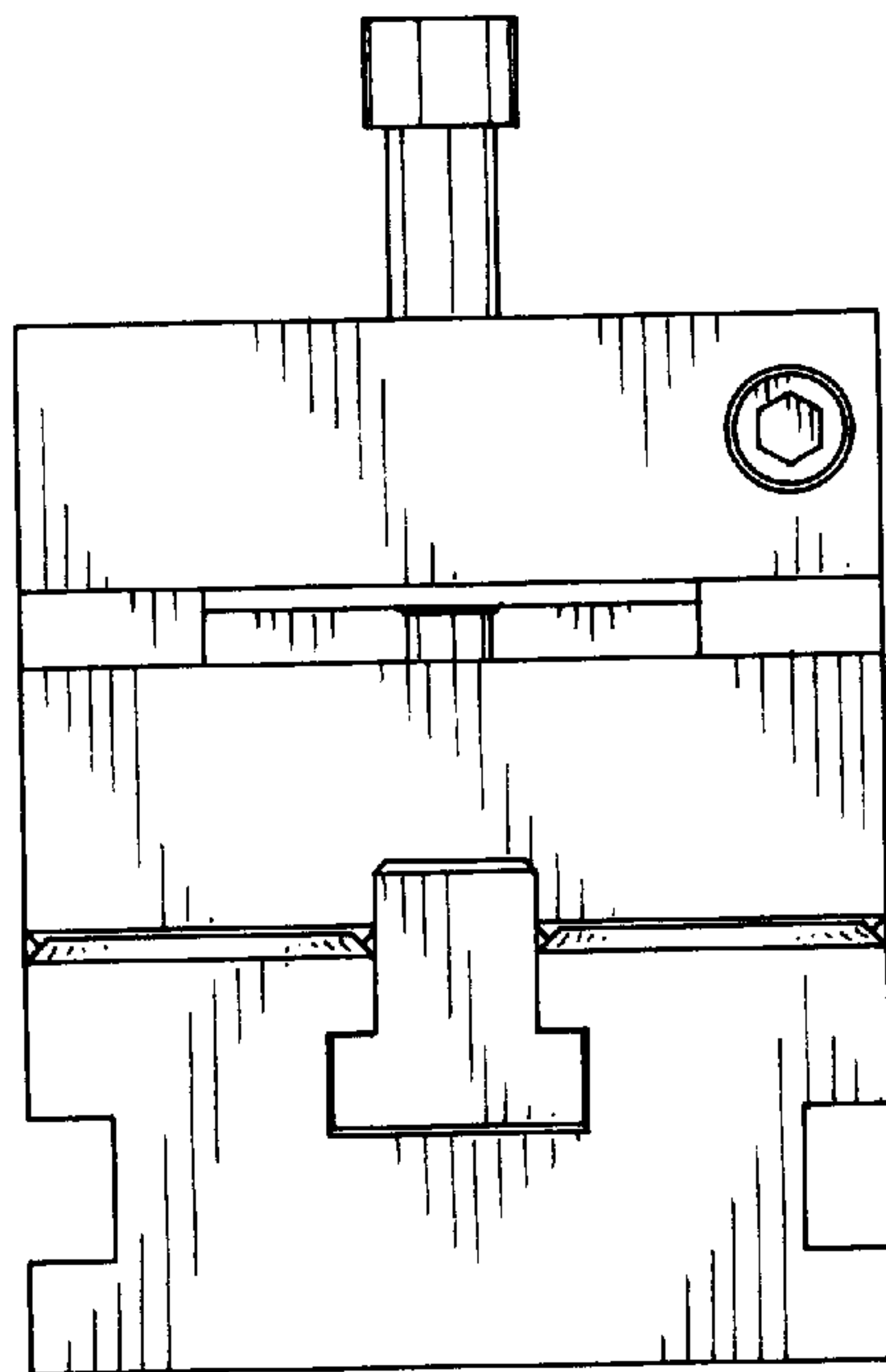


FIG. 7