



US00D421205S

United States Patent [19]

Naft et al.

[11] Patent Number: **Des. 421,205**

[45] Date of Patent: **** Feb. 29, 2000**

[54] **CORDLESS ELECTRIC CAN OPENER**

[75] Inventors: **Stuart Naft**, Fairfield; **Bernhard Heitz**, Collinsville; **David Kaiser**, Plainville; **Joseph Toro**, Stratford, all of Conn.

[73] Assignee: **HP Intellectual Corp.**, Wilmington, Del.

[**] Term: **14 Years**

[21] Appl. No.: **29/098,843**

[22] Filed: **Jan. 7, 1999**

[51] **LOC (6) Cl.** **07-99**

[52] **U.S. Cl.** **D8/36; D8/40**

[58] **Field of Search** **D8/33-43, 18, D8/19; 30/400-443; 81/3.07-3.49; 7/151-156**

[56] **References Cited**

U.S. PATENT DOCUMENTS

D. 280,970	10/1985	Van Asten .	
D. 295,139	4/1988	Ohnishi et al.	D8/41
D. 296,979	8/1988	Yuen .	
D. 301,432	6/1989	Gildersleeve .	
D. 301,828	6/1989	Wong .	
D. 311,481	10/1990	Van Asten .	
D. 319,169	8/1991	van Asten .	

D. 319,956	9/1991	Barrault	D8/36
D. 392,857	3/1998	Lallemand .	
D. 404,270	1/1999	Chang	D8/40
2,883,745	4/1959	Bristol .	
3,126,627	3/1964	Freedman .	
3,791,029	2/1974	Yamamoto .	
4,520,567	6/1985	Crawford	30/424
4,734,985	4/1988	Osaki .	
5,121,546	6/1992	Chong .	
5,367,776	11/1994	Chong .	

Primary Examiner—Jeffrey Asch
Attorney, Agent, or Firm—Barry E. Deutsch

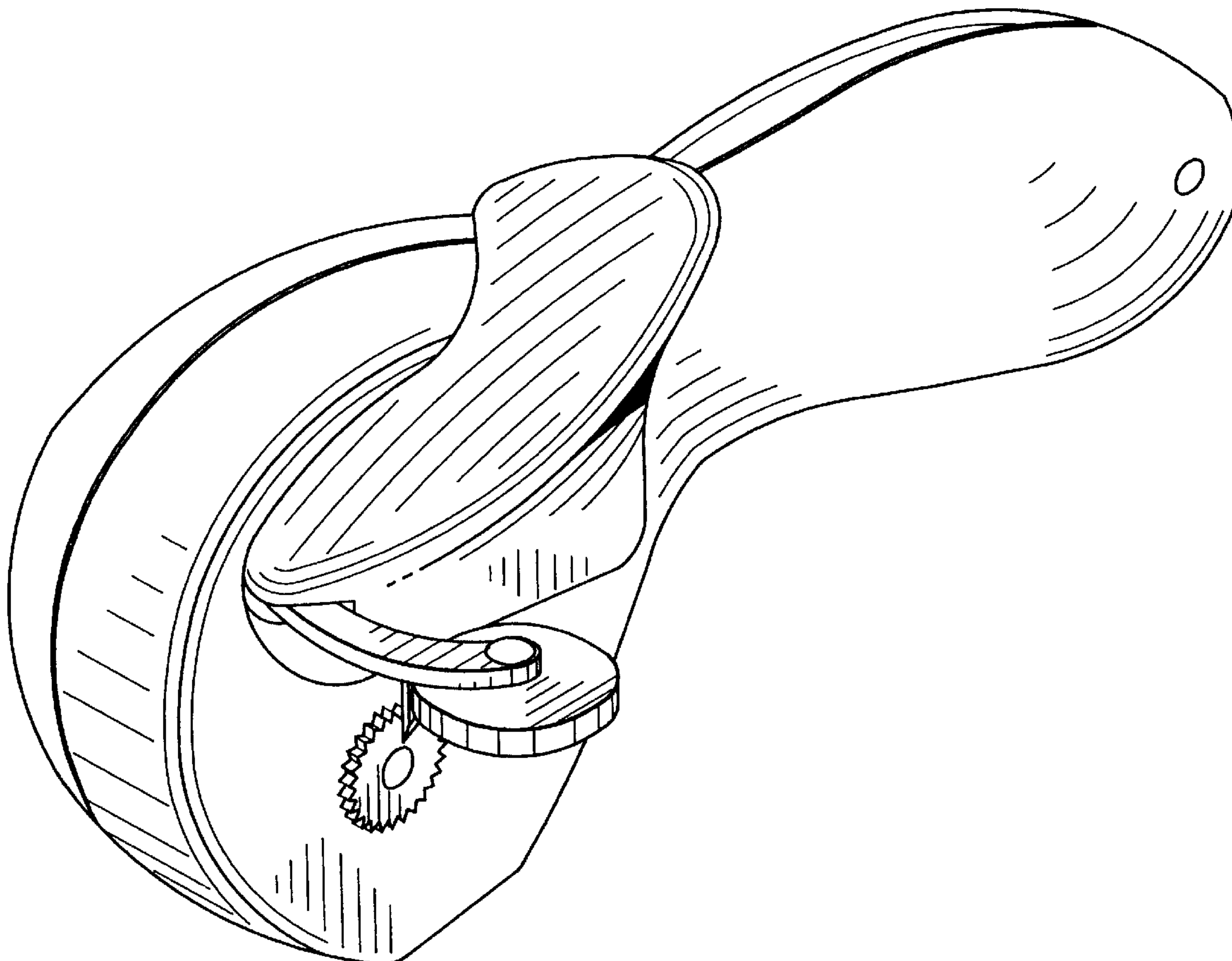
[57] **CLAIM**

The ornamental design for a cordless electric can opener, as shown and described.

DESCRIPTION

FIG. 1 is a perspective view taken from the front, top, and right side of a cordless electric can opener, illustrating our new design;
FIG. 2 is a left-side elevation view thereof;
FIG. 3 is a right-side elevation view thereof;
FIG. 4 is a front elevation view thereof;
FIG. 5 is a bottom plan view thereof;
FIG. 6 is a top plan view thereof; and,
FIG. 7 is a rear elevation view thereof.

1 Claim, 4 Drawing Sheets



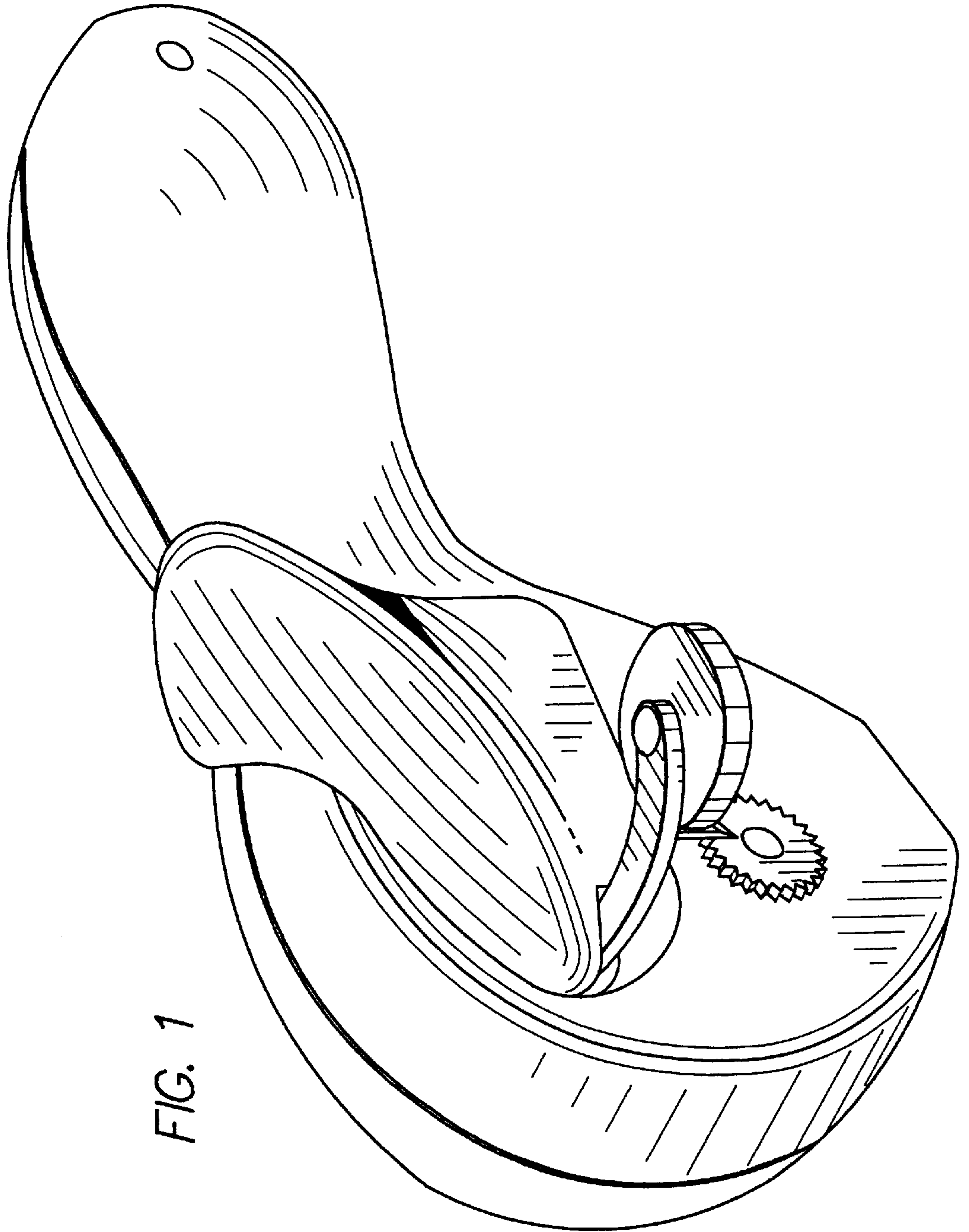


FIG. 1



FIG. 2

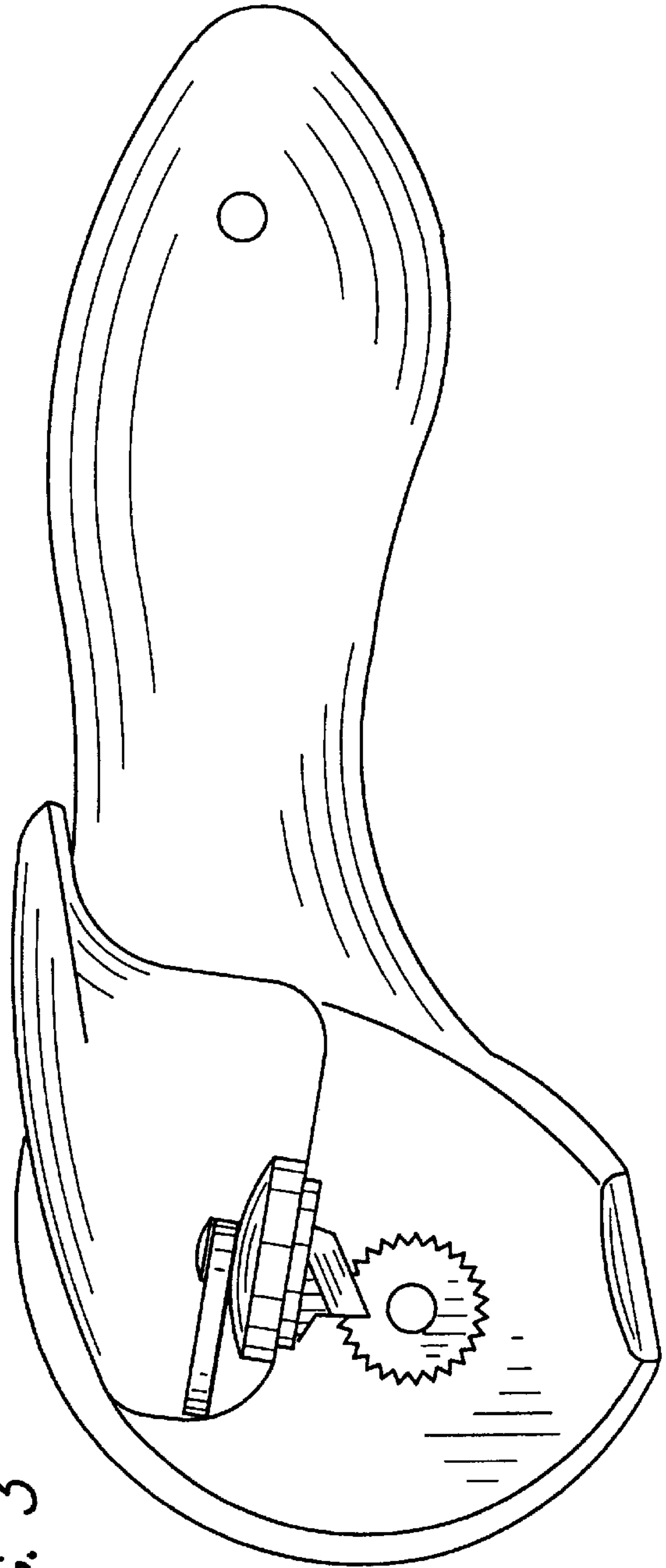


FIG. 3

FIG. 4

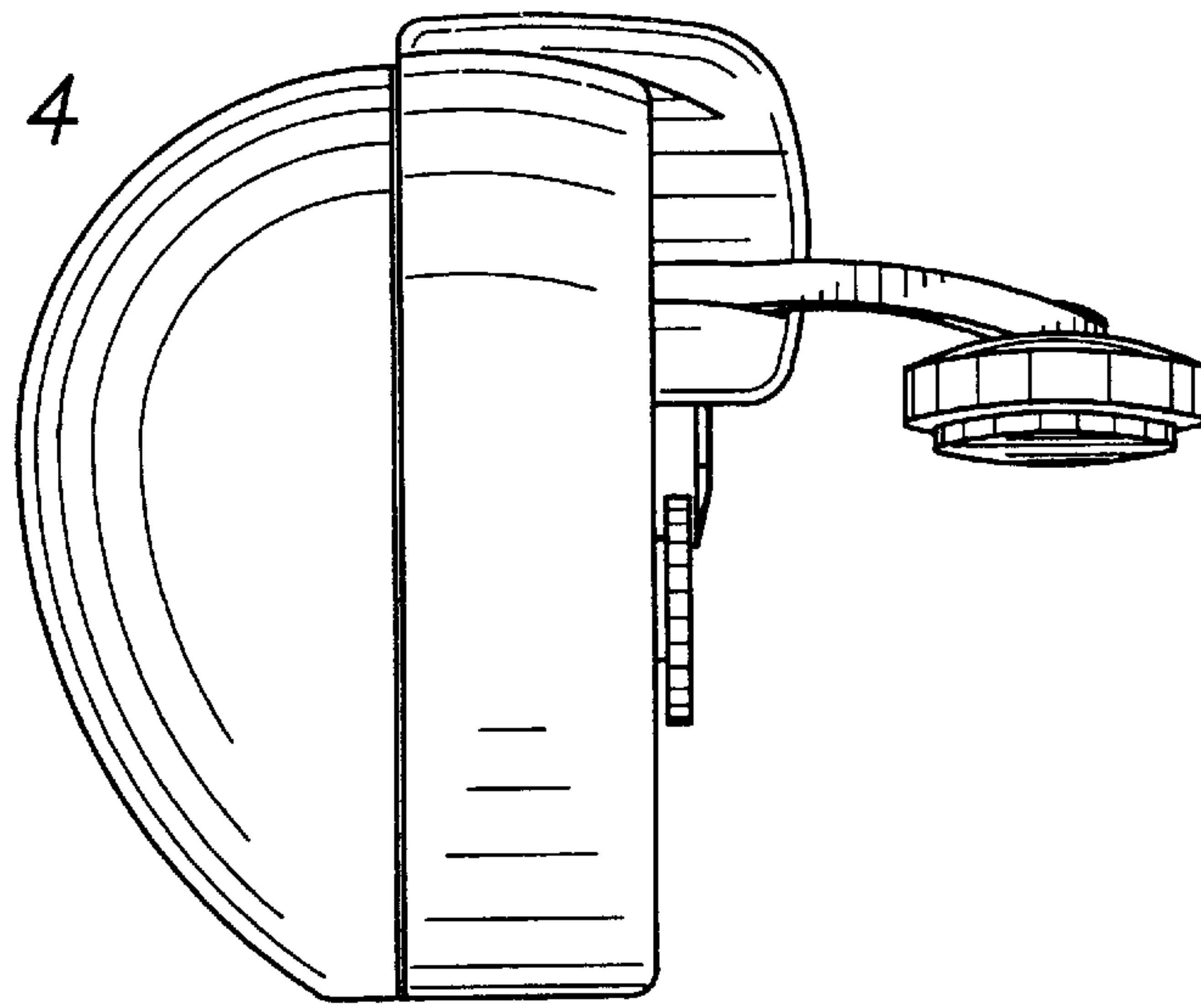


FIG. 5

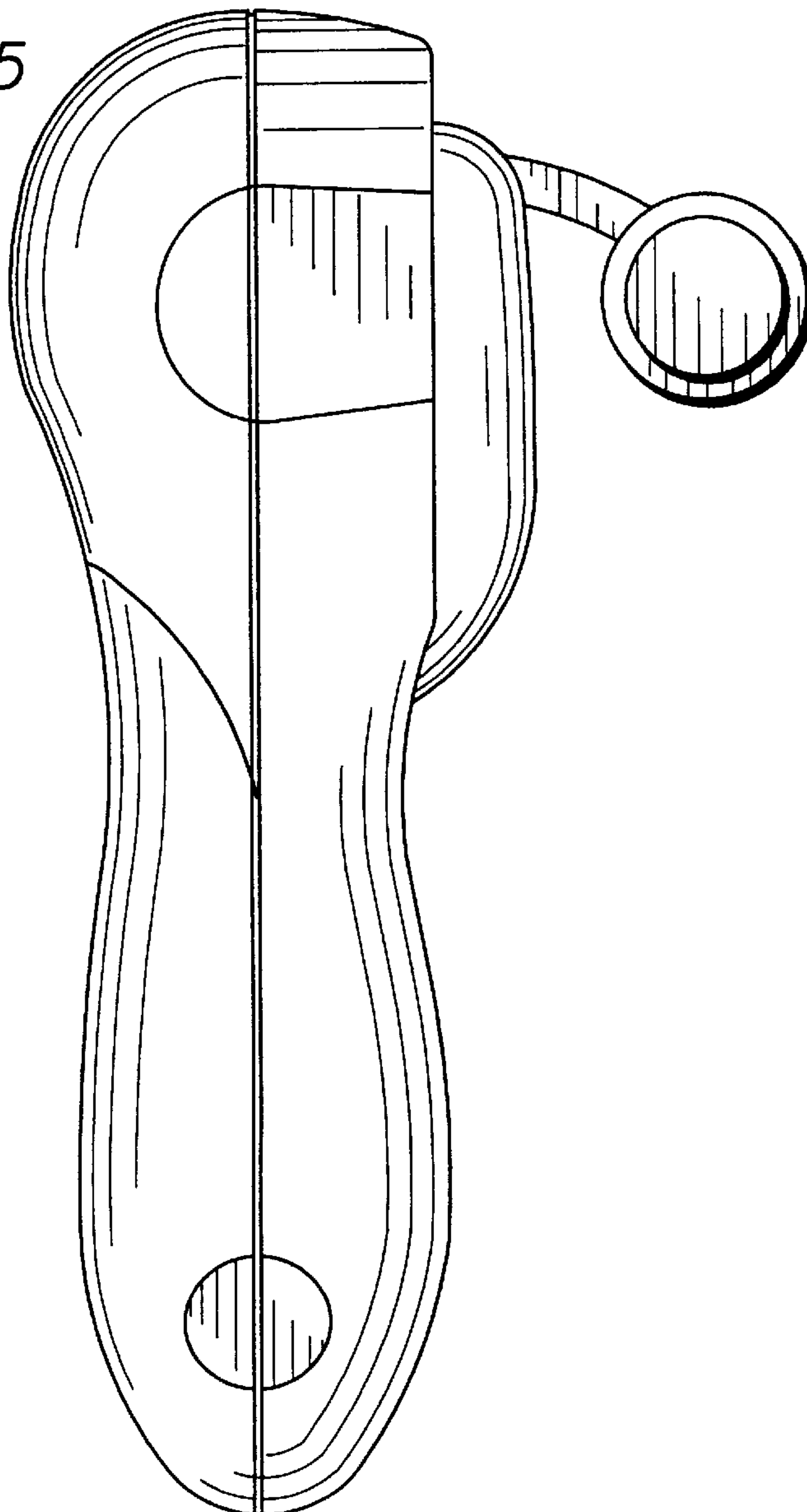


FIG. 6

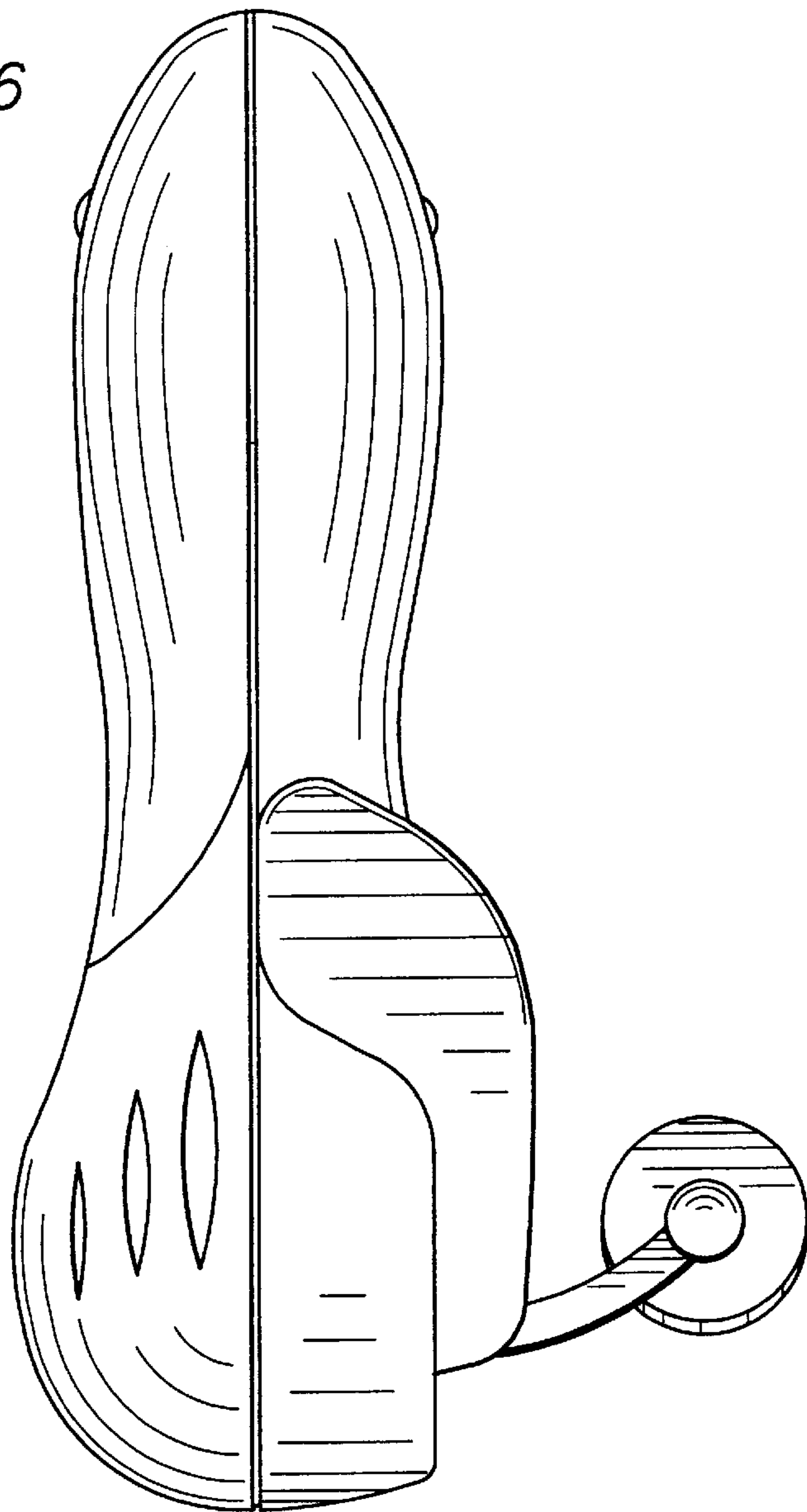


FIG. 7

