



US00D421204S

United States Patent [19]
McBride

[11] **Patent Number: Des. 421,204**

[45] **Date of Patent: ** Feb. 29, 2000**

[54] **PESTICIDE DISPENSING APPARATUS**

[76] Inventor: **John C. McBride**, Rte. 3 Box 33330,
Winnsboro, Tex. 75494

[**] Term: **14 Years**

[21] Appl. No.: **29/073,009**

[22] Filed: **Jun. 27, 1997**

[51] **LOC (6) Cl. 08-01**

[52] **U.S. Cl. D8/2; D23/225**

[58] **Field of Search D8/1, 2; D23/225;
239/302, 308, 314-316**

[56] **References Cited**

U.S. PATENT DOCUMENTS

D. 224,531	8/1972	Bradley	D23/225
D. 327,528	6/1992	Sears et al.	D23/225
D. 347,047	5/1994	Wood	D23/225
D. 387,271	12/1997	Bifulco	D23/225

Primary Examiner—Robin V. Taylor
Attorney, Agent, or Firm—Goldstein & Canino

[57] **CLAIM**

The ornamental design for a pesticide dispensing apparatus, as shown and described.

DESCRIPTION

FIG. 1 is a diagrammatic perspective view of the pesticide dispensing apparatus.

FIG. 2 is a left side elevational view thereof.

FIG. 3 is a right side elevational view thereof.

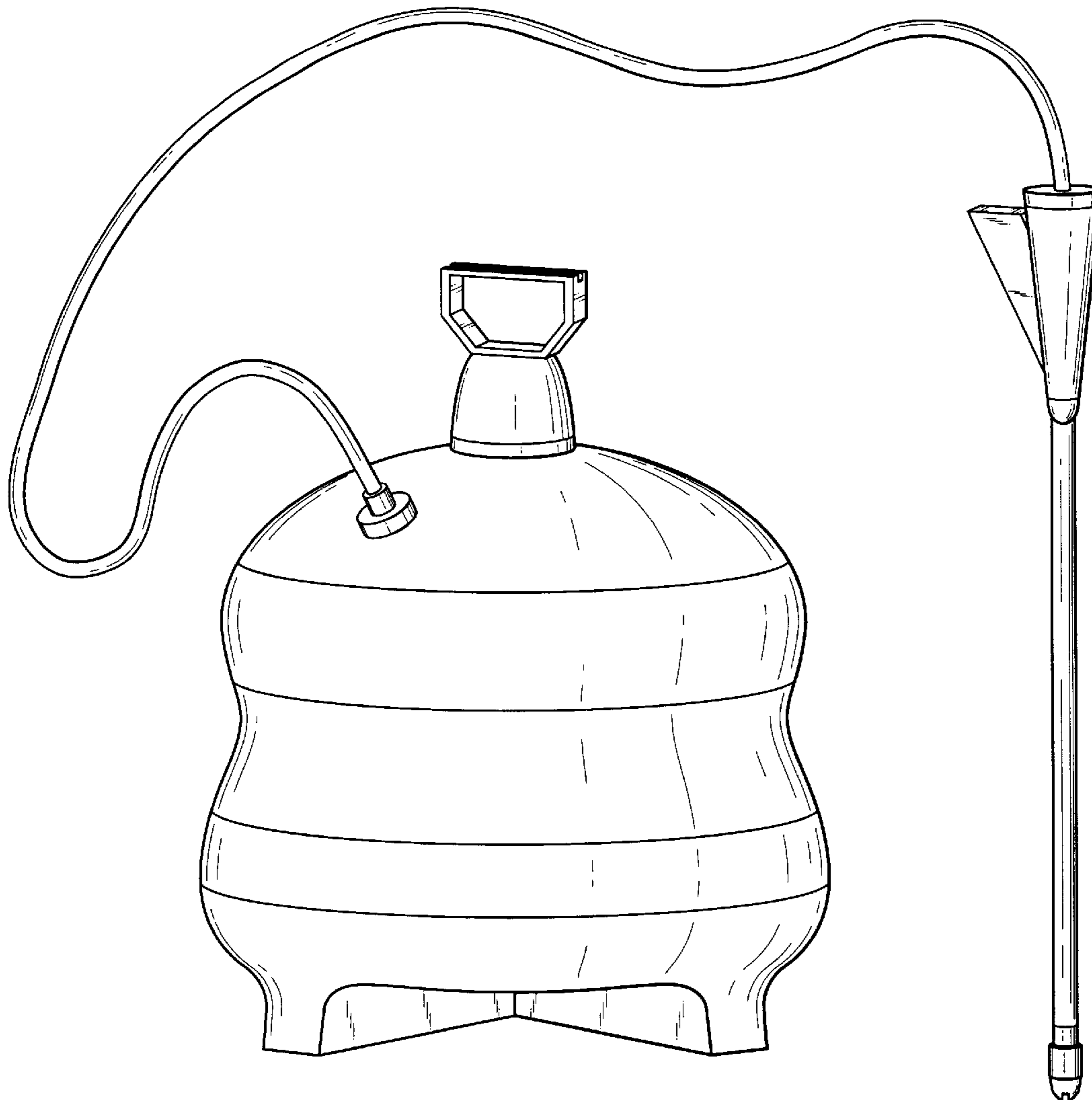
FIG. 4 is a front elevational view of the pesticide dispensing apparatus.

FIG. 5 is a rear elevational view thereof.

FIG. 6 is a top plan view of the pesticide dispensing apparatus; and,

FIG. 7 is a bottom plan view thereof.

1 Claim, 4 Drawing Sheets



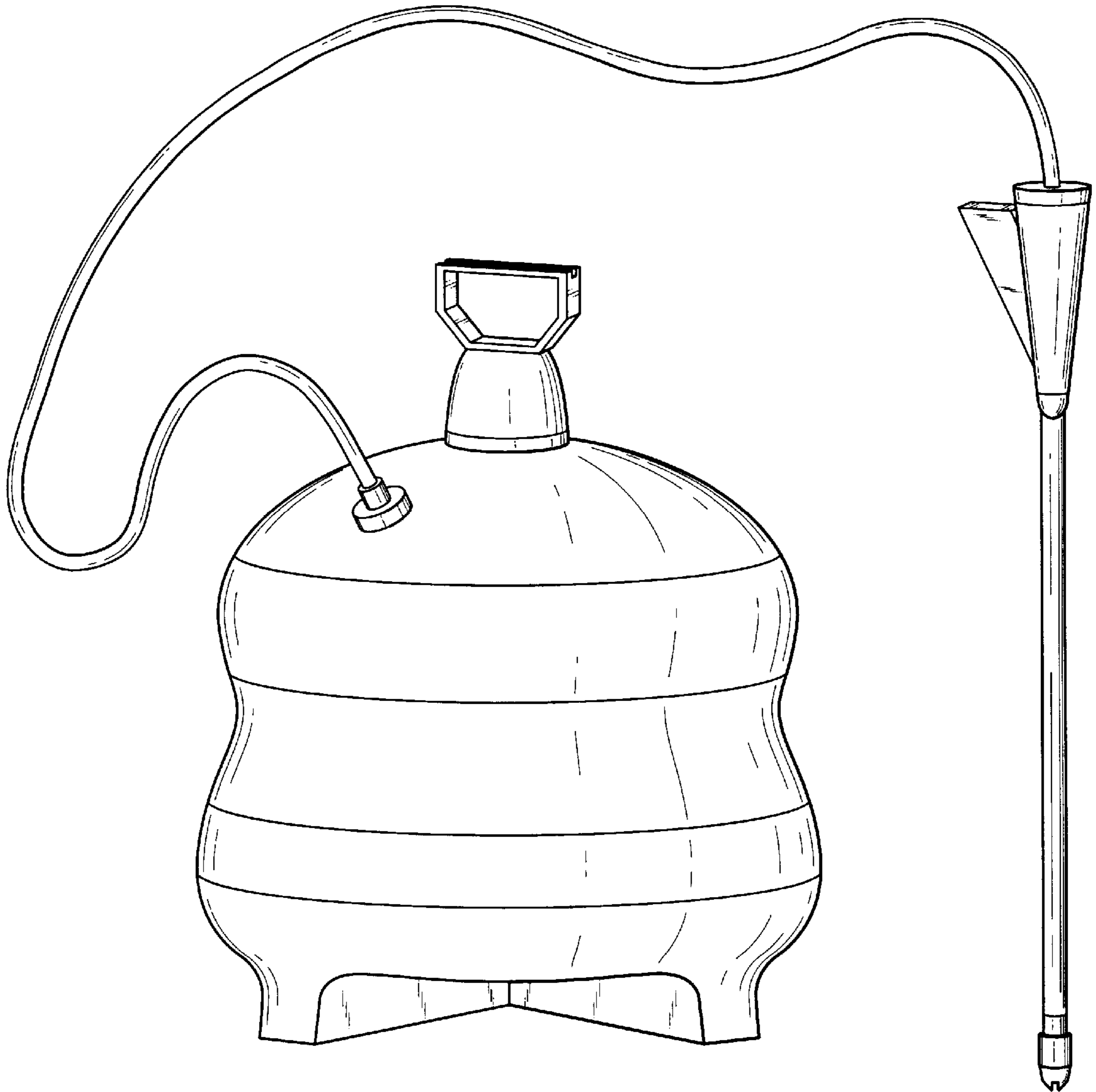


FIG. 1

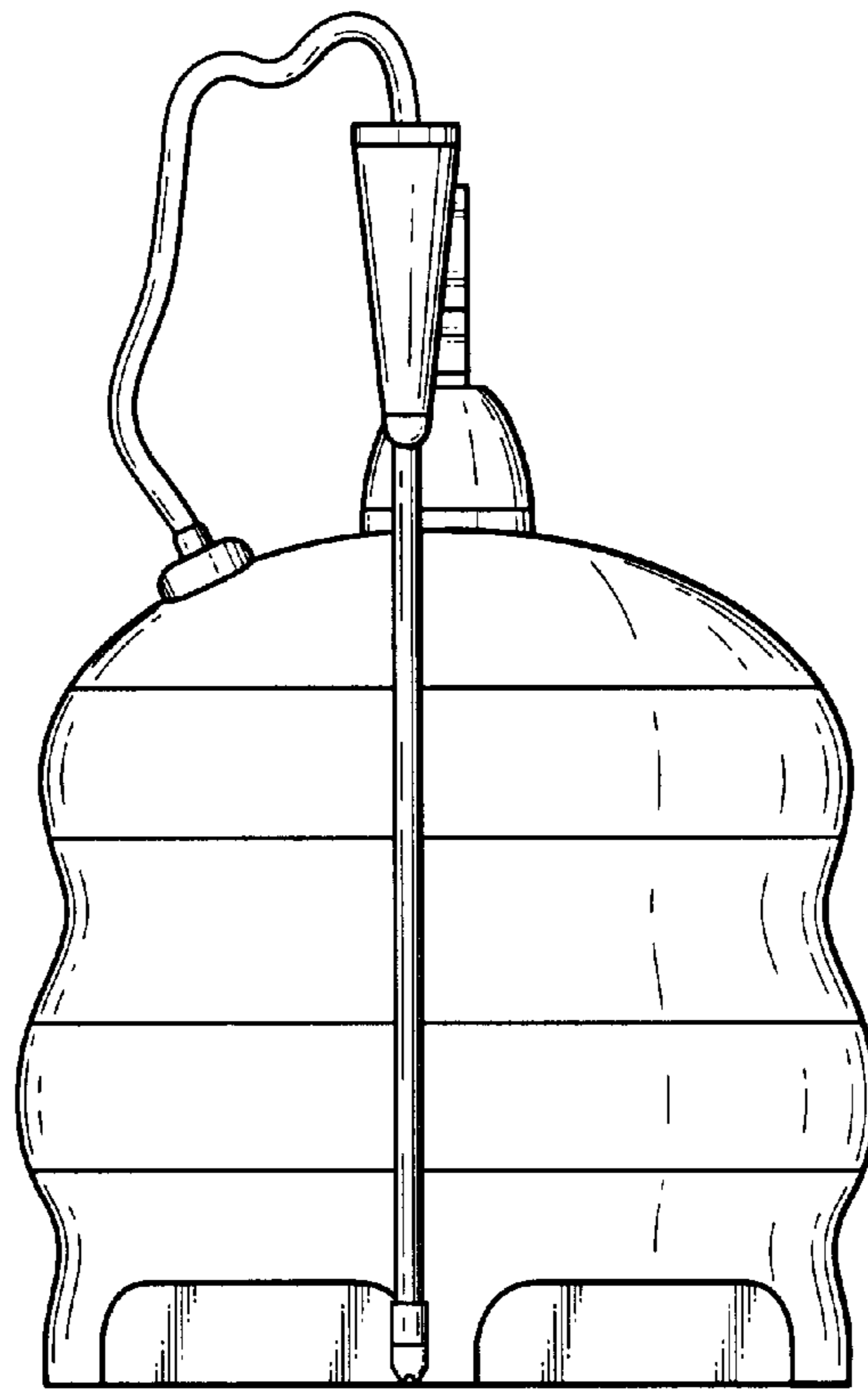


FIG. 2

FIG. 3

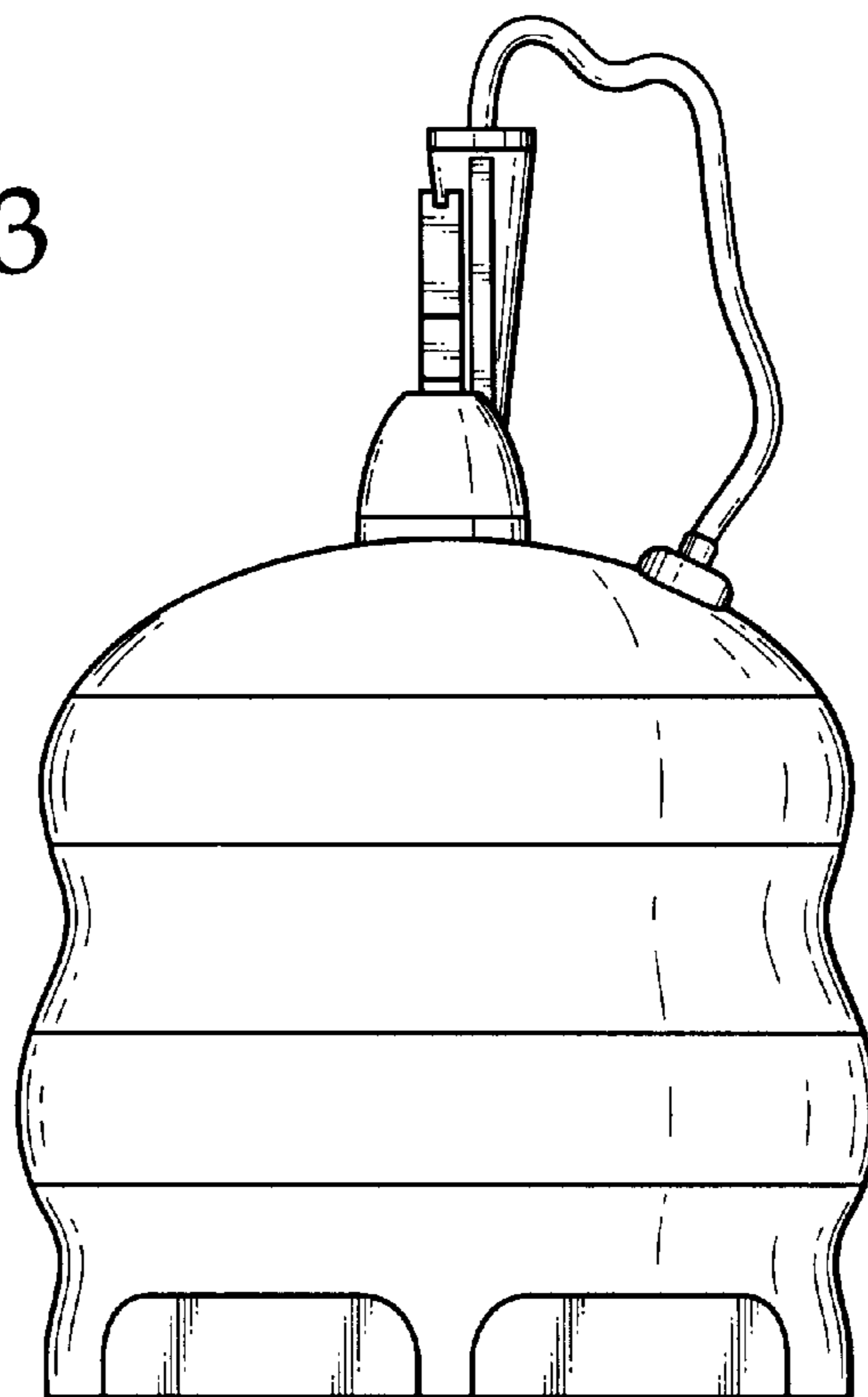


FIG. 4

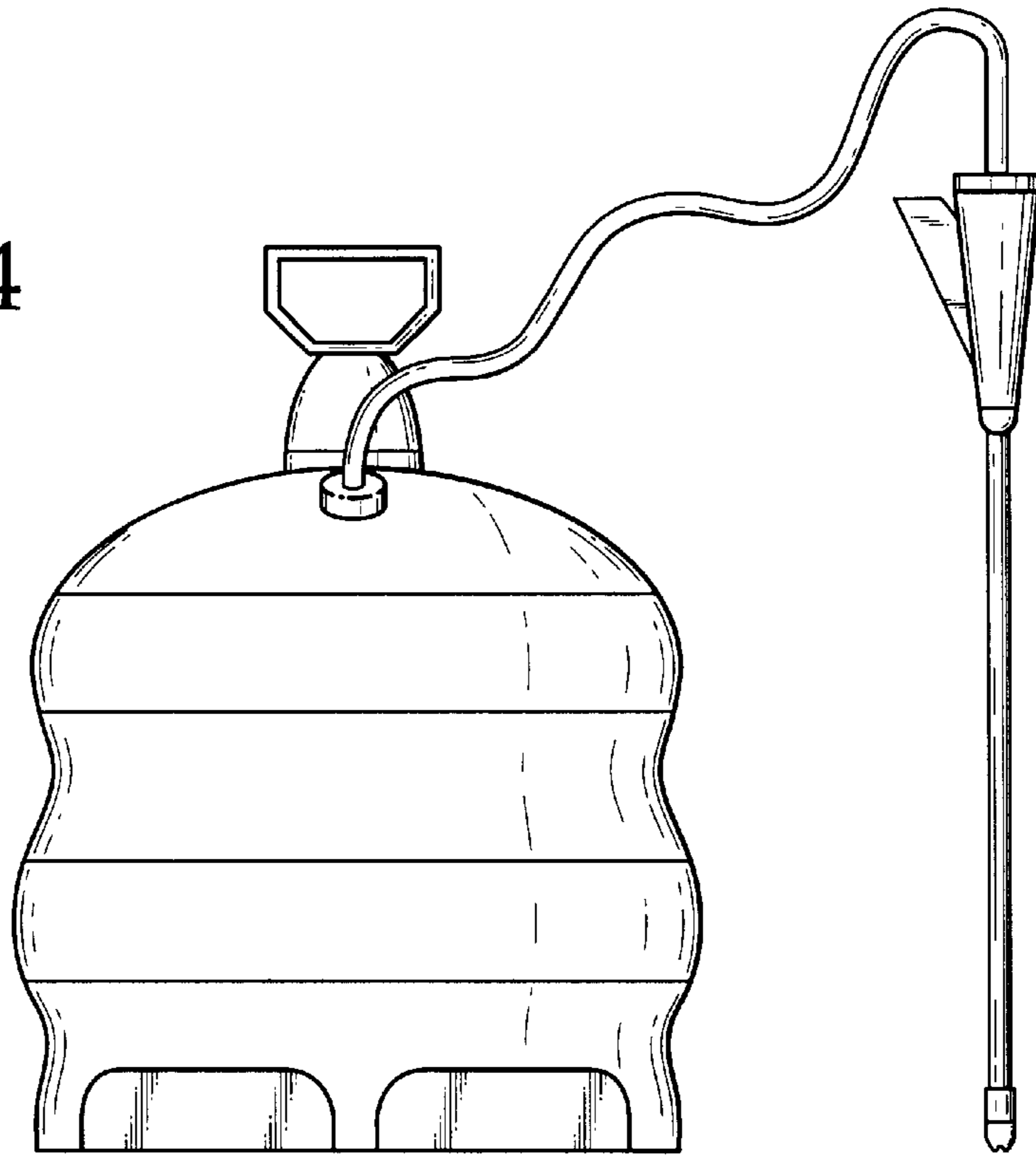


FIG. 5

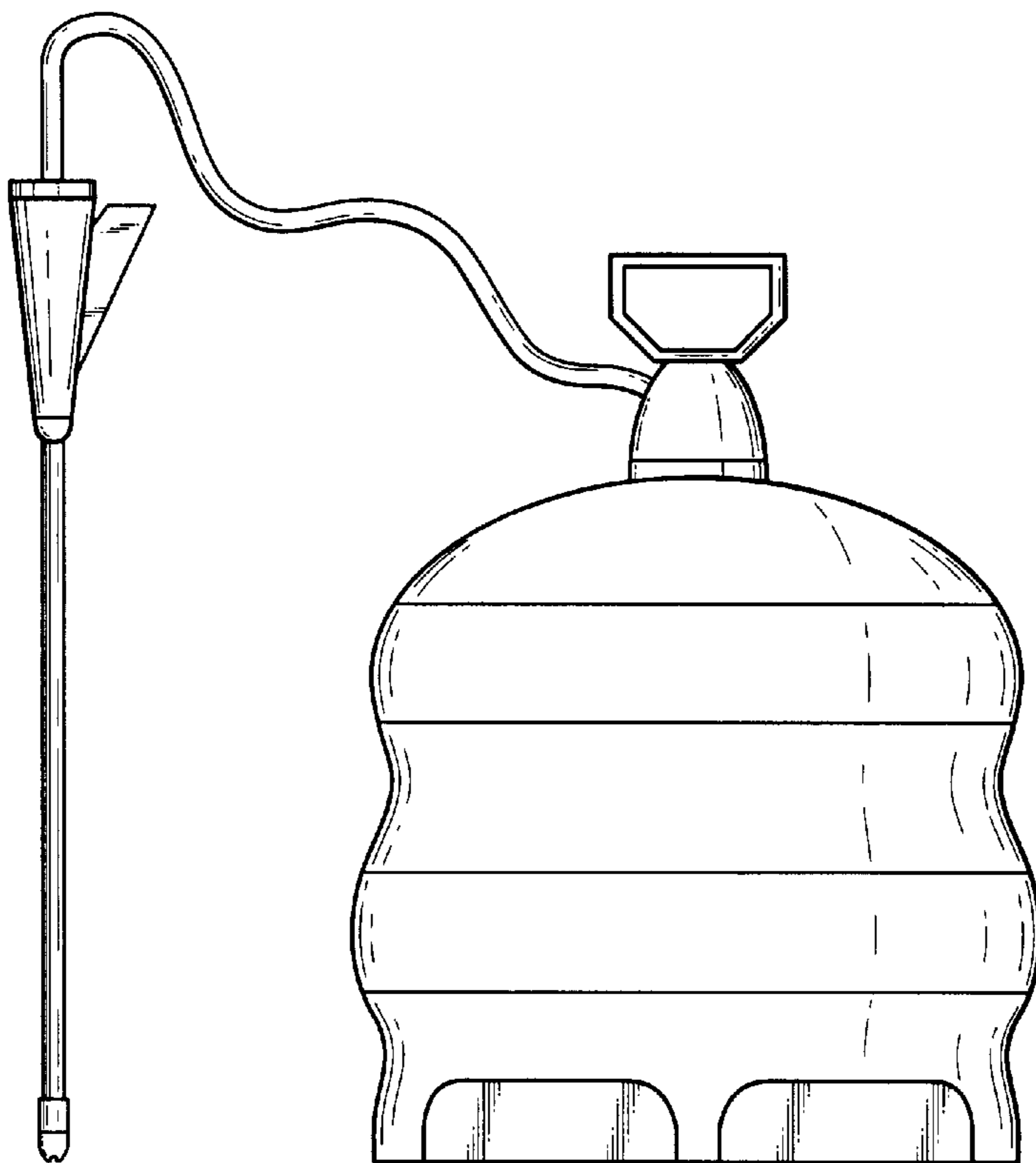


FIG. 6

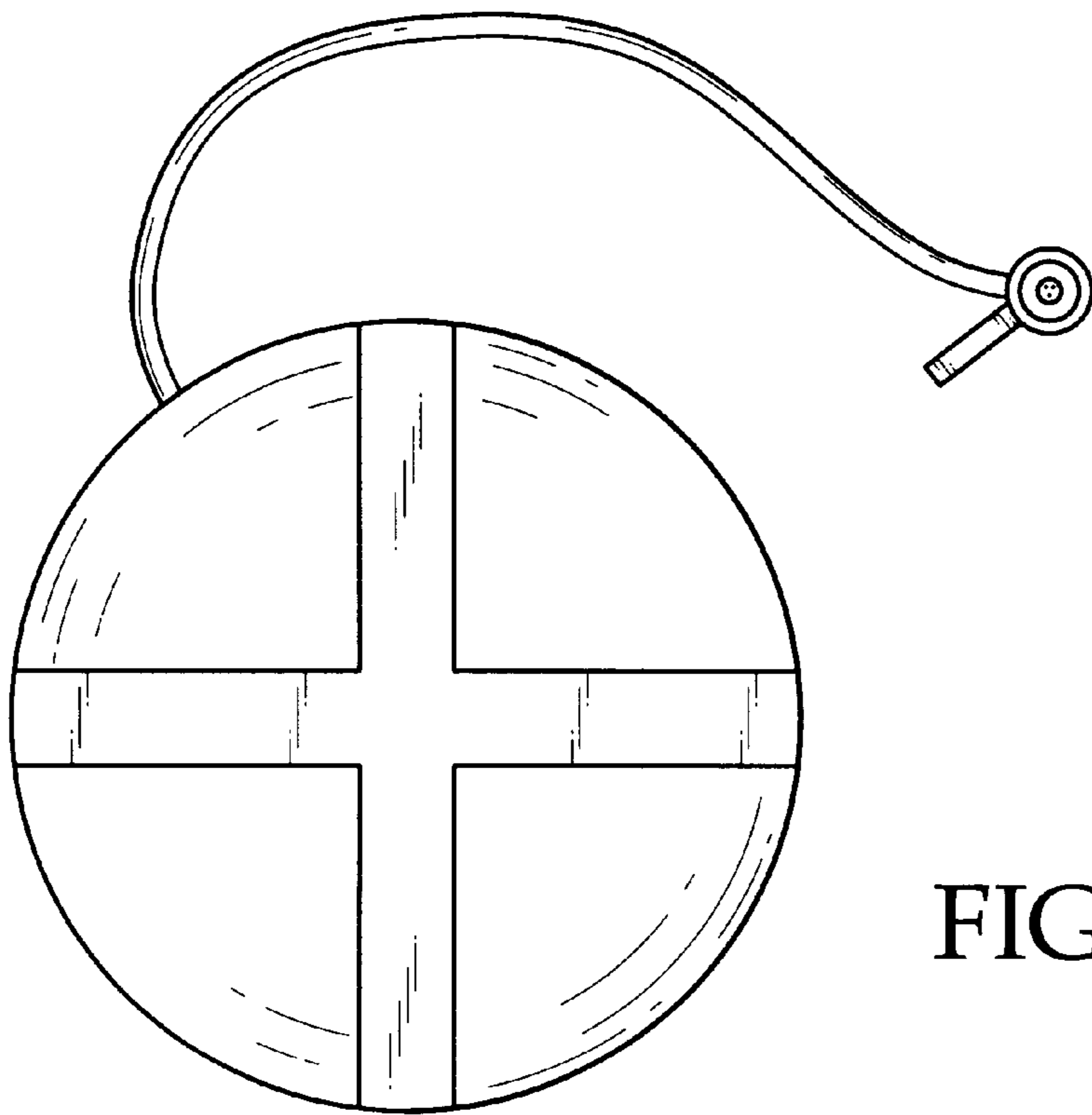
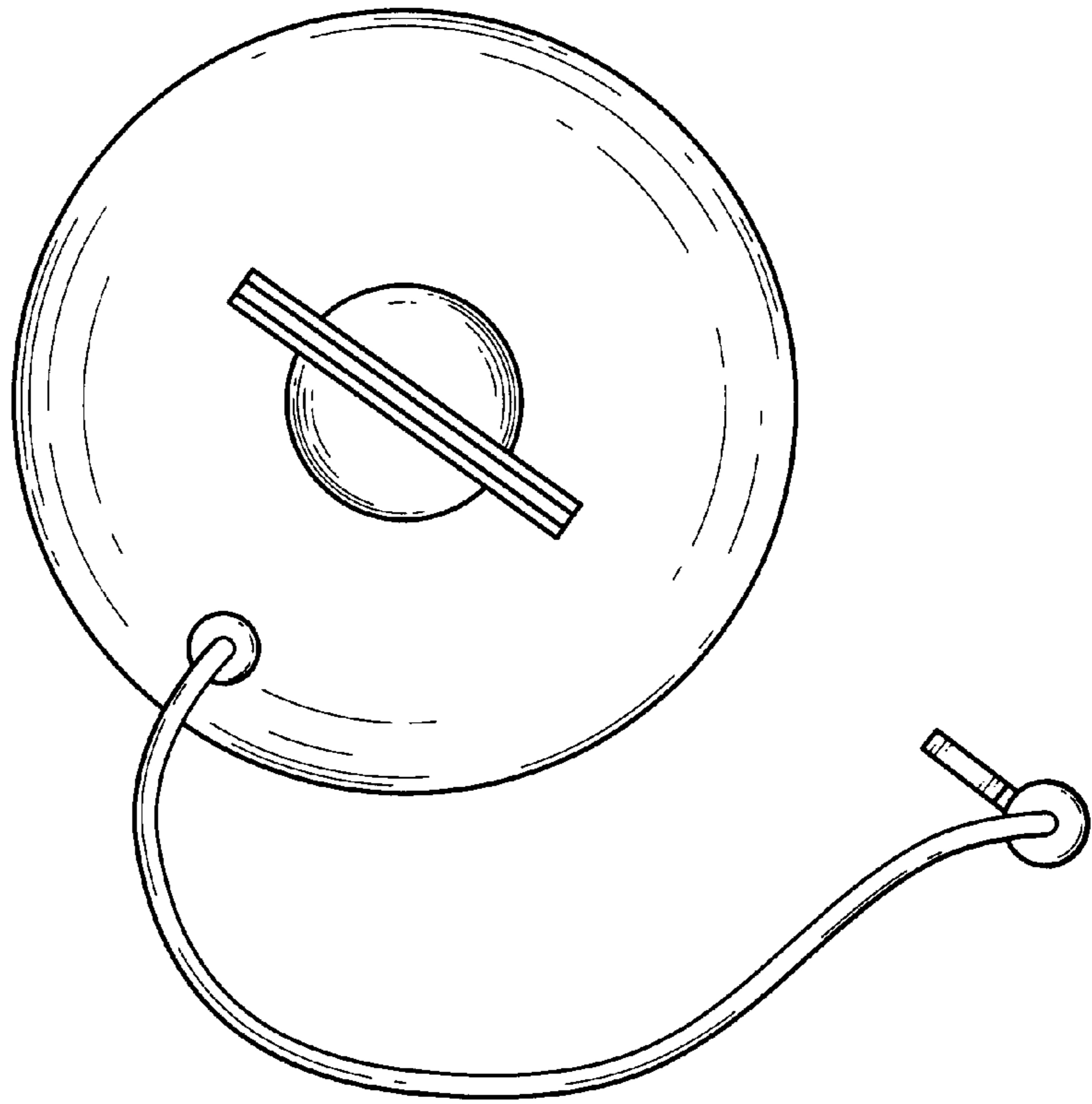


FIG. 7